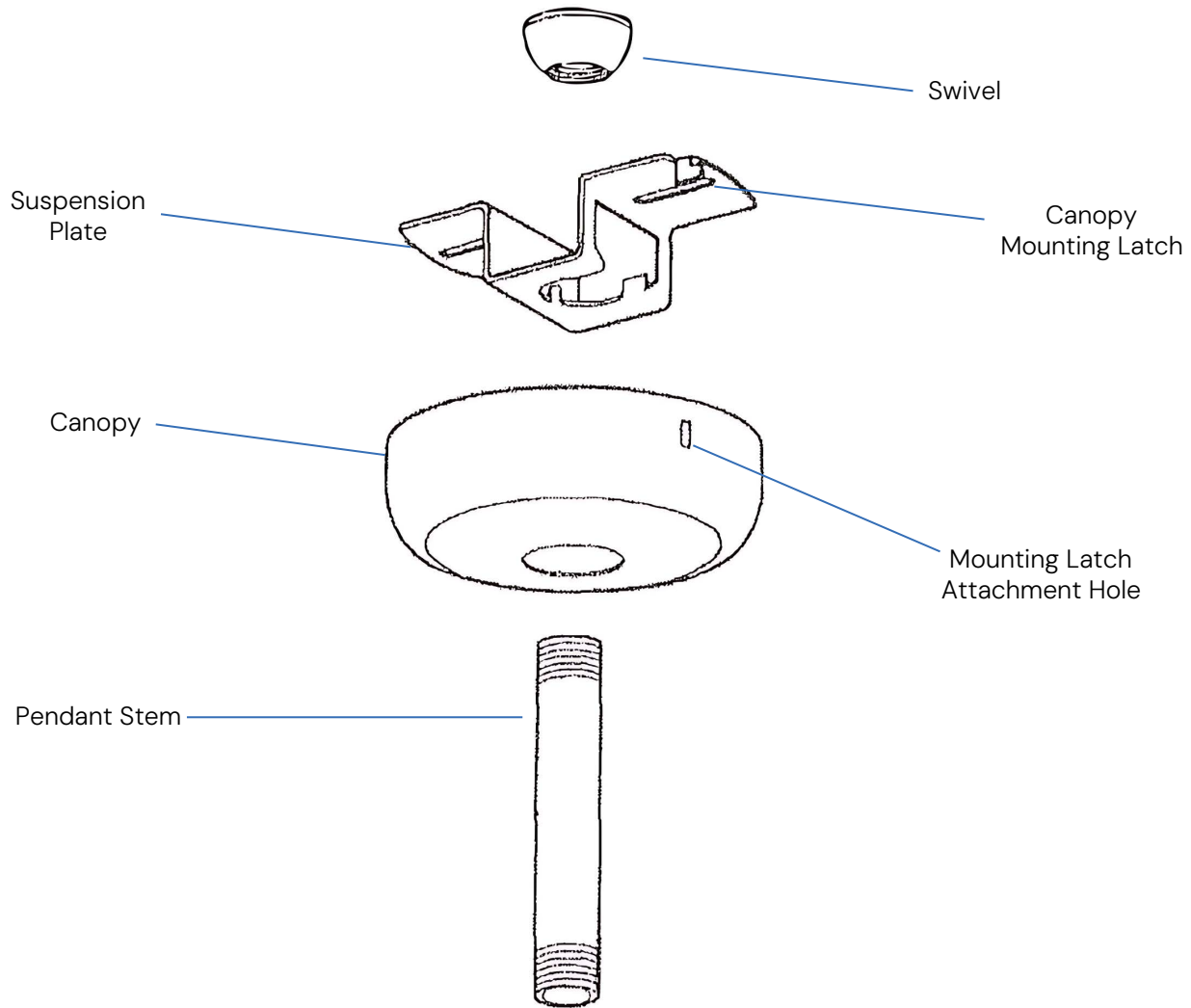


15204 SWIVEL AND STEM ASSEMBLY INSTRUCTIONS



The standard swivel stem assembly is included with all pendant-mounted cylinders.

The swivel allows for a 45° pitch adjustment from the vertical position.

Mounting Instructions:

1. Secure the tile suspension plate to any 4" octagonal junction box using the threaded screws typically provided by the junction box manufacturer.
2. Attach the bottom portion of the stem to the threaded fitting located at the top of the cylinder.
3. Slide the canopy over the stem before securely tightening the swivel ball onto the stem.
4. Insert the swivel and attached stem into the suspension plate bracket.
5. Raise the canopy along the stem until it rests flush against the ceiling. Then, firmly insert the canopy mounting latch into the attachment hole on the canopy, securing it to the suspension plate.