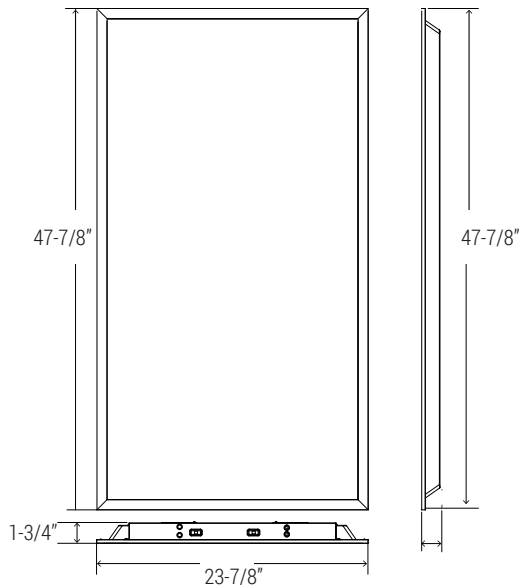


EASY COLORS
SELECTOR



FEATURES

The clean design of the FPL-BL provides a modern alternative to traditional fluorescent troffers. Available in 1x4, 2x2, and 2x4. Backlit design delivers unmatched uniform light distribution. Easily adjust brightness level (multi-lumen) and color options (multi-CCT) in the field with multi-lumen and multi-CCT selectors. Perfect for offices, schools, healthcare, hospital, retail, among other applications.

LUMENS	3000/4000/5000 4000/5000/6000 6000/7000/8000 7000/8000/9000	3000/4000/5000/6000 5000/6000/7000/8000
CCT	35K/ 40K/ 50K 30K/ 35K/ 40K 30K/35K/40K/50K	
CRI	85+	
COLOR QUALITY	3 Step MacAdam Ellipse	
SIZE	2'x4', 2'x2', 1'x4'	
MOUNTING	Recessed, Suspended, Surface Mount	
DIMMING & CONTROL	0-10V Flicker Free 10% Dimming Standard (DIM10)	
EMERGENCY	10W - Up to 1000L output (Bodine BSL310) 20W - Up to 2000L output (Bodine BSL20)	
LIFETIME	L70 at 60,000 Hours	
PHOTOMETRIC TESTS	In Accordance with IES LM79-08, LM80 and TM-30, TM-21	

7000/8000/9000		
NOMINAL LUMENS	DELIVERED LUMENS	WATTAGE
9000	9088	76W
8000	8142	67W
7000	7275	60W

Based on 4000K, 85+ CRI. Actual wattage may vary +/- 5%

6000/7000/8000		
NOMINAL LUMENS	DELIVERED LUMENS	WATTAGE
8000	7372	54W
7000	7097	52W
6000	6106	44W

Based on 4000K, 85+ CRI. Actual wattage may vary +/- 5%

4000/5000/6000		
NOMINAL LUMENS	DELIVERED LUMENS	WATTAGE
6000	6365	56W
5000	5652	48W
4000	4642	38W

Based on 4000K, 85+ CRI. Actual wattage may vary +/- 5%

3000/4000/5000		
NOMINAL LUMENS	DELIVERED LUMENS	WATTAGE
5000	5435	49W
4000	4814	39W
3000	3799	30W

Based on 4000K, 85+ CRI. Actual wattage may vary +/- 5%

5000/6000/7000/8000		
NOMINAL LUMENS	DELIVERED LUMENS	WATTAGE
8000	8399	62W
7000	7600	55W
6000	6566	47W
5000	5562	39W

Based on 4000K, 85+ CRI. Actual wattage may vary +/- 5%

3000/4000/5000/6000		
NOMINAL LUMENS	DELIVERED LUMENS	WATTAGE
6000	6494	49W
5000	5432	40W
4000	4361	31W
3000	3415	23W

Based on 4000K, 85+ CRI. Actual wattage may vary +/- 5%



OPTICAL SYSTEM

Backlit design provides exceptional light distribution. Illumination is spread across the entire surface of the panel, emitting soft, even light. A 110-degree beam angle ensures clear, shadow-free light.

CONSTRUCTION

20-gauge cold rolled steel body, post-painted for durability. White finish standard. All corners are rounded for safe handling. Multiple wiring entrances allow for easy access.

MOUNTING

Easy to install. Mounting hardware included. Accommodates lay-in ceilings, Slot T, and T-bar suspension systems for 5/8" and 3/8" ceiling widths. Four corner tie points and built-in earthquake clips come standard. Options for flange kits, surface mounted kits, and more. SMK required if suspending the fixture.

OPTIONS

Luminaires can be shipped pre-installed with whips, modular wiring systems.

DRIVER ELECTRICAL INFORMATION

Powered by high-quality constant-current power LED drivers which are rated for 50 to 60Hz at 120/277V input. Available in 347V, produce less than 20% THD, and have a power factor of .90 to 1.00.

DIMMING & DRIVER INFORMATION

DIM10 - Flicker Free 10% Dimming Standard (DIM10) 0-10V dimming on either MVOLT 120, 277V and 347V

WARRANTY

Five-year warranty for parts and components. (Labor not included)

LISTINGS

c-UL-us - Listed for Feed Through Wiring.

Can be used to comply with Title 24, non residential lighting requirements.

Damp location rated.

For DesignLights Consortium® (DLC) qualified products please visit www.designlights.org. Not all family members will be listed for DLC Premium or DLC Standard.

EMERGENCY TEST SWITCH



Emergency Test Switch with LED Indicator

Compatible with **10W & MVOLT (120-277V)**

Not available for **20W & 120-347V**

Example: 24-FPL-BL-LED-3000L/4000L/5000L-DIM10-MVOLT-35K/40K/50K-85

24	FPL-BL	LED								
FIXTURE SIZE	SERIES	TYPE	LUMENS	DIMMING	VOLTAGE	CCT	CRI	EMERGENCY	OTHER OPTIONS	
24 - 2' X 4'	FPL-BL - LED Flat Panel Backlit	LED	3000L/4000L/5000L 4000L/5000L/6000L 6000L/7000L/8000L 7000L/8000L/9000L * 3000L/4000L/5000L/6000L * 5000L/6000L/7000L/8000L	DIM10 - 0-10V Dimming	MVOLT 120-347V	35K/40K/50K 30K/35K/40K *30K/35K/40K/50K *Available for 3000/4000/5000/6000 *5000/6000/7000/8000 lumen output & MVOLT Only	85	0-EMG-LED-10W 0-EMG-LED-20W	24FK - 2'x4' Flange Kit 24-FPL1-LED-SMK - 2'x4' Surface Mount Kit USA - Made in America AM - Antimicrobial Paint	

24-FPL-BL-LED-3000L-4000L-5000L-DIM10-MVOLT-35K-40K-50K-85(3000L)

TEST NO.: **EL05212055**

INPUT WATTS: **30**

LUMENS: **3799**

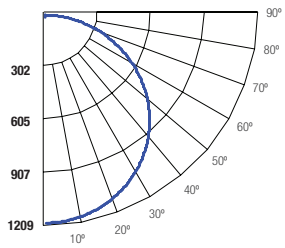
CRI: **85**

EFFICACY: **127**

CCT: **40K**

SPACING CRITERIA: **1.42**

Candle Power Distribution (Candelas)



Zonal Lumens Summary

Zone	Lumens	%Lamp	%Fixt
0-20	442.34	11.60	11.60
0-30	946.75	24.90	24.90
0-40	1567.01	41.30	41.20
0-60	2851.05	75.10	75.10
0-80	3655.98	96.20	96.20
0-90	3766.15	99.10	99.10

Luminance (Average candela/M²)

Angle in Degrees	Average 0°	Average 45°	Average 90°
45	1622	1632	1651
55	1607	1623	1651
65	1564	1588	1633
75	1501	1532	1609
85	1509	1557	1701

Lumens Per Zone

Zone	Lumens
0-10	113.92
10-20	328.42
20-30	504.42
30-40	620.26
40-50	663.13
50-60	620.91
60-70	494.75
70-80	310.17
80-90	110.18

Candela Tabulation

Q	0	5	15	25	35	45	55	65	75	85	90
0	1202.581										
5	1202.100										
15	1165.530										
25	1095.690										
35	991.390										
45	853.220										
55	685.790										
65	491.790										
75	289.080										
85	97.830										
90	22.650										

Coefficients of Utilization - Zonal Cavity Method

Effective Floor Cavity Reflectance 0.20

ROOM CAVITY RATIO	RC		80%				70%				50%				30%				10%				0%	
	RW	70%	50%	30%	10%	70%	50%	30%	10%	50%	30%	10%	50%	30%	10%	50%	30%	10%	50%	30%	10%	0%	0%	
0	1	119	119	119	119	116	116	116	116	111	111	111	106	106	106	101	101	101	101	101	101	99	99	
1	108	103	98	94	94	105	100	96	92	96	92	89	92	89	86	88	86	84	84	84	81	81		
2	98	89	82	76	76	95	87	80	75	83	78	73	80	75	71	76	73	69	67	67	69	67		
3	89	78	69	62	62	86	76	68	62	73	66	60	70	64	59	67	62	58	56	56	58	56		
4	81	68	59	52	52	78	67	59	52	64	57	51	62	55	50	60	54	50	47	47	50	47		
5	74	61	52	45	45	72	60	51	45	58	50	44	55	49	43	53	48	43	41	41	45	41		
6	68	55	46	39	39	66	54	45	39	52	44	38	50	43	38	48	42	37	35	35	38	35		
7	63	50	41	34	34	62	49	40	34	47	39	34	45	39	33	44	38	33	31	31	34	31		
8	59	45	36	30	30	57	44	36	30	43	35	30	42	35	30	40	34	30	28	28	30	28		
9	55	41	33	27	27	54	41	33	27	39	32	27	38	32	27	37	31	27	25	25	27	25		
10	52	38	30	25	25	50	38	30	25	36	29	24	35	29	24	34	28	24	22	22	24	22		

RC - Ceiling Cavity Reflectance RW - Wall Reflectance

24-FPL-BL-LED-3000L-4000L-5000L-DIM10-MVOLT-35K-40K-50K-85(4000L)

TEST NO.: **EL05212058**

INPUT WATTS: **38.9**

LUMENS: **4814**

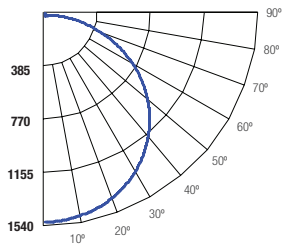
CRI: **85**

EFFICACY: **124**

CCT: **40K**

SPACING CRITERIA: **1.42**

Candle Power Distribution (Candelas)



Zonal Lumens Summary

Zone	Lumens	%Lamp	%Fixt
0-20	563.96	11.70	11.70
0-30	1206.55	25.10	25.10
0-40	1996.13	41.50	41.50
0-60	3620.21	75.20	75.20
0-80	4636.73	96.30	96.30
0-90	4773.11	99.10	99.10

Luminance (Average candela/M²)

Angle in Degrees	Average 0°	Average 45°	Average 90°
45	2075	2078	2083
55	2060	2064	2072
65	2011	2017	2030
75	1924	1935	1939
85	1982	1960	1943

Lumens Per Zone

Zone	Lumens
0-10	145.29
10-20	418.67
20-30	642.59
30-40	789.57
40-50	839.30
50-60	784.79
60-70	626.73
70-80	389.79
80-90	136.38

Candela Tabulation

Q	0	5	15	25	35	45	55	65	75	85	90
0	1534.167										
5	1532.450										
15	1488.220										
25	1399.400										
35	1266.570										
45	1091.670										
55	879.130										
65	632.160										
75	370.530										
85	128.500										
90	31.130										

Coefficients of Utilization - Zonal Cavity Method

Effective Floor Cavity Reflectance 0.20

ROOM CAVITY RATIO	RC		80%				70%				50%				30%				10%				0%	
	RW	70%	50%	30%	10%	70%	50%	30%	10%	50%	30%	10%	50%	30%	10%	50%	30%	10%	50%	30%	10%	0%	0%	
0	1	119	119	119	119	116	116	116	116	111	111	111	106	106	106	101	101	101	101	101	101	99	99	
1	108	103	98	94	94	105	100	96	92	96	92	89	92	89	86	88	86	84	84	84	81	81		
2	98	89	82	76	76	95	87	80	75	83	78	73	80	75	71	76	73	69	67	67	69	67		
3	89	78	69	62	62	86	76	68	62	73	66	61	70	64	59	67	62	58	56	56	58	56		
4	81	69	59	52	52	79	67	59	52	64	57	51	62	56	50	60	54	50	47	47	50	47		
5	74	61	52	45	45	72	60	51	45	58	50	44	56	49	43	53	48	43	41	41	45	41		
6	68	55	46	39	39	66	54	45	39	52	44	38	50	43	38	48	42	38	35	35	38	35		
7	63	50	41	34	34	62	49	40	34	47	39	34	45	39	34	44	38	33	31	31	34	31		
8	59	45	36	30	30	57	44	36	30	43	36	30	42	35	30	40	34	30	28	28	30	28		
9	55	41	33	27	27	54	41	33	27	40	32	27	38	32	27	37	31	27	25	25	27	25		
10	52	38	30	25	25	50	38	30	25	37	29	25	36	29	24	35	29	24	22	22	24	22		

RC - Ceiling Cavity Reflectance RW - Wall Reflectance

24-FPL-BL-LED-3000L-4000L-5000L-DIM10-MVOLT-35K-40K-50K-85(5000L)

TEST NO.: **EL01102031**

INPUT WATTS: **49.1**

LUMENS: **5435**

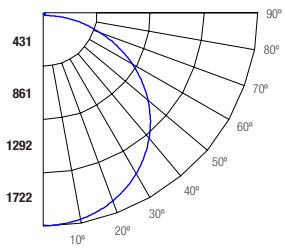
CRI: **N/A**

EFFICACY: **111**

CCT: **3500K**

SPACING CRITERIA: **1.42**

Candle Power Distribution (Candelas)



Zonal Lumens Summary

Zone	Lumens	%Lamp	%Fixt
0-20	631.16	11.60	11.60
0-30	1351.00	24.90	24.90
0-40	2236.37	41.10	41.10
0-60	4059.28	74.70	74.70
0-80	5211.67	95.90	95.90
0-90	5372.62	98.90	98.90

Luminance (Average candela/M²)

Angle in Degrees	Average 0°	Average 45°	Average 90°
45	2356	2282	2254
55	2342	2245	2209
65	2303	2157	2111
75	2204	2005	1945
85	2305	1835	1732

Lumens Per Zone

Zone	Lumens
0-10	162.56
10-20	468.61
20-30	719.83
30-40	885.37
40-50	942.46
50-60	880.45
60-70	708.05
70-80	444.34
80-90	160.95

Candela Tabulation

Q	0	5	15	25	35	45	55	65	75	85	90
0	1716.424										
5	1715.660										
15	1667.880										

