

INSTALLATION INSTRUCTIONS

⚠ WARNING

- To reduce the risk of death, personal injury or property damage from fire, electric shock, falling parts, cuts/abrasions, and other hazards read all warnings and instructions included with and on the fixture box and all fixture labels.
- Before installing, servicing, or performing routine maintenance upon this equipment, follow these general precautions.
- Commercial installation, service and maintenance of luminaires should be performed by a qualified licensed electrician.
- For the installation: If you are unsure about the installation or maintenance of the luminaires, consult a qualified licensed electrician and check your local electrical code.
- To prevent wiring damage or abrasion, do not expose wiring to edges of sheet metal or other sharp objects.
- Do not make or alter any open holes in an enclosure of wiring or electrical components during kit installation.

⚠ WARNING

- Turn off electrical power at fuse or circuit breaker box before wiring fixture to the power supply.
- Turn off the power when you perform any maintenance.
- Verify that supply voltage is correct by comparing it with the luminaire label information.
- All wiring connections should be capped with UL approved wire connectors.

⚠ CAUTION

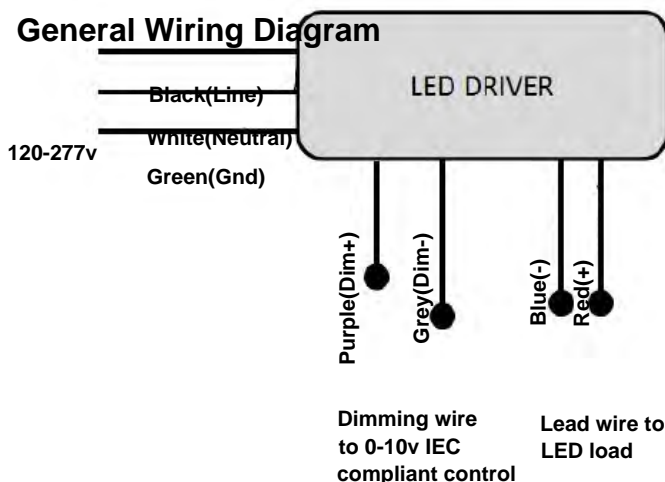
- Avoid direct eye exposure to the light source while it is on.
- Account for small parts and destroy packing material, as these may be hazardous to children.
- Risk of burn. Disconnect power and allow fixture to cool before changing bulb or handing fixture.

NOTICE: Green ground screw provided in proper location. Do not relocate.

NOTICE: Minimum 90° supply conductors.

NOTICE: Specifications and dimensions subject to change without notice.

NOTICE: Suitable for Dry or Damp location



CAUTION: DISCONNECT POWER BEFORE CONNECTING THE FIXTURE. FAILING TO DO SO MAY PERMANENTLY DAMAGE THE LED.

INSTALLATION INSTRUCTIONS

A: Surface Mounting

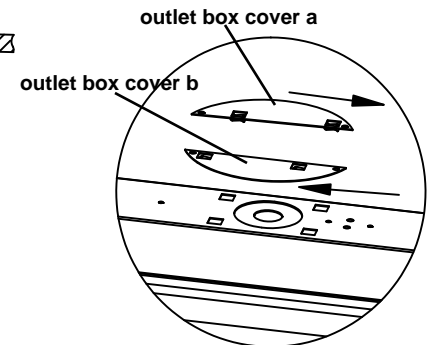
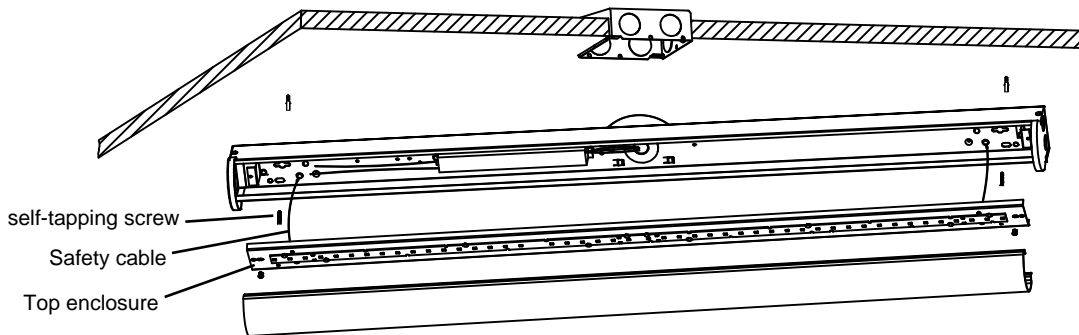


Figure 1

Concealed outlet box

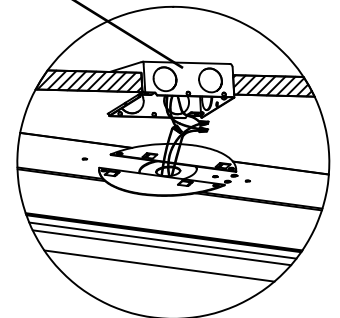
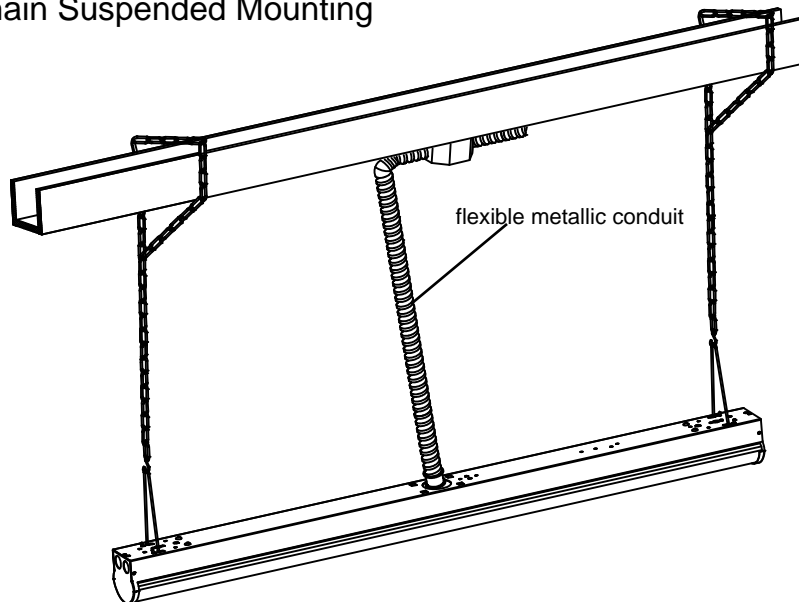


Figure 2

B: Chain Suspended Mounting



Mounting Options

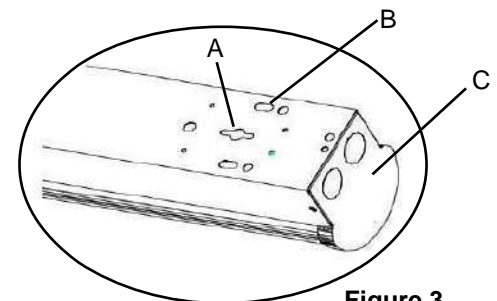


Figure 3

A: Surface Mounting

B: Chain Mounting with V hook

C: End Cap

Installation Step:

Always turn off the power supply from main circuit breaker first!

A: Surface Mounting

Step1: Lock the tabs into the openings, then push the cover a to the right, and push the cover b to the left. (Figure 1)

Step2: Open the lens, then unscrew the screws at both ends of top enclosure, wire to main power through the concealed outlet box. (figure 2)

Step3: Fix the luminaire onto the ceiling by the self-tapping screws, slide into key hole slots on the top side of the luminaire base. (figure 3 A)

Step4: Screw the top enclosure to the housing, install the lens, then turn on the power.

B: Chain Mounting with V hook

Step1: Mount V-hooks to the luminaire (Figure 3 B)

Step2: Hang the luminaire up with chain.

INSTALLATION INSTRUCTIONS

C: Wire Guards

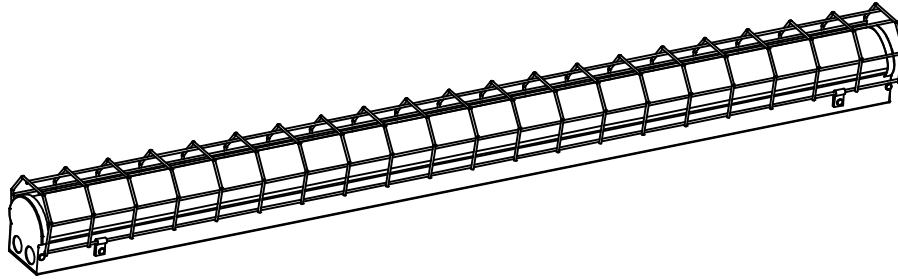


Figure 1

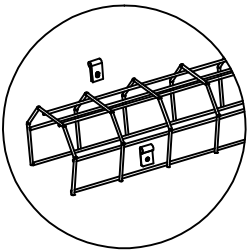
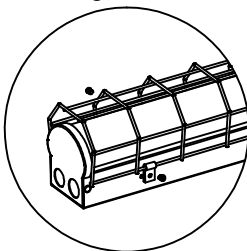


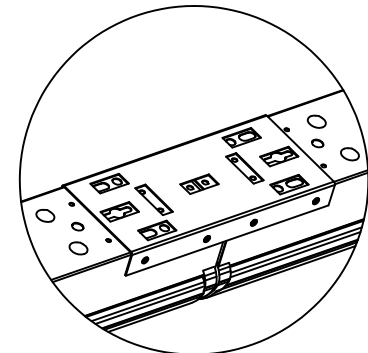
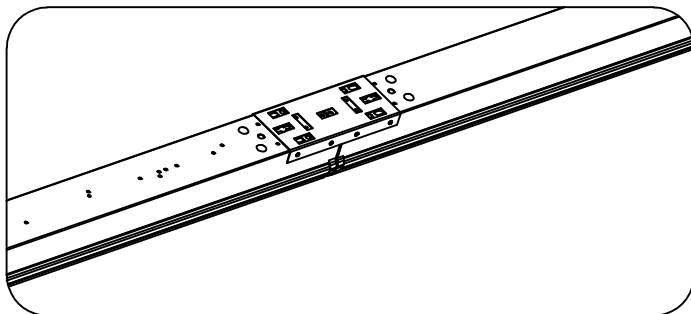
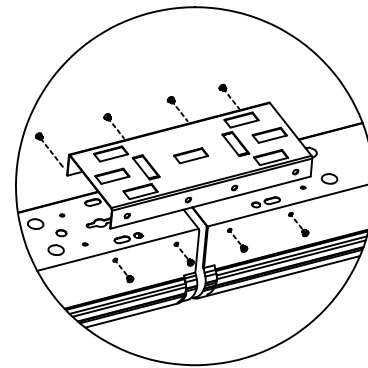
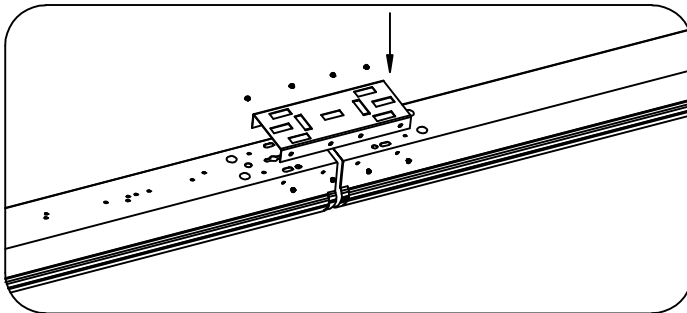
Figure 2



Step1:After installing the luminaire,Insert the provided chips(4 pcs) onto the wire guard.(fig 1).

Step2: Fasten the chips by drilling screws into the prepunched holes of fixture body(fig 2)

D: Row Connector

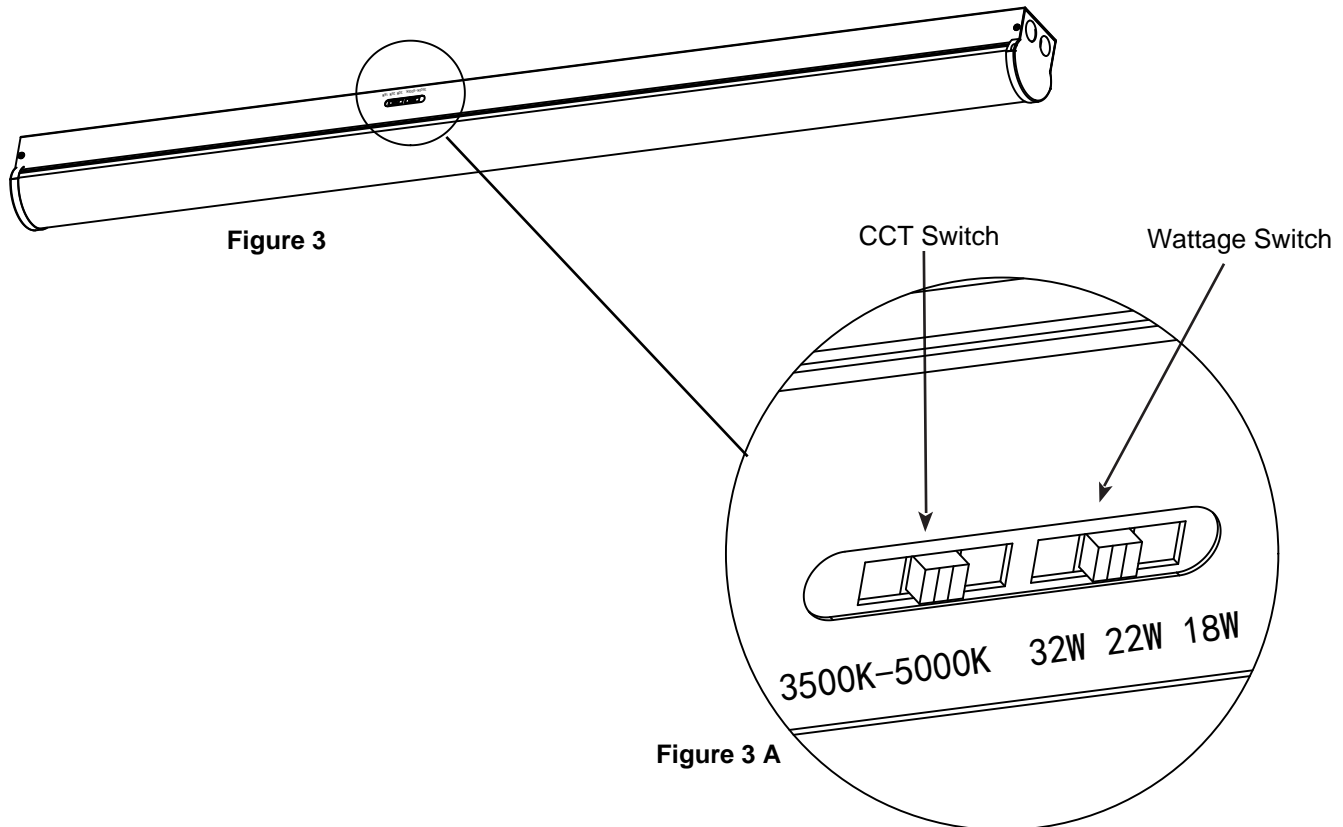


Step1:Screw the connector to the end of the luminaires.

Step2:After connecting, all installation methods can refer to Page 2.

INSTALLATION INSTRUCTIONS

Field-Adjustable Wattage & CCT



The end users may adjust the color temperature and lumen output respectively by the two DIP switch buttons integrated into the driver. Each DIP switch is accommodated with 3 options (left, middle and right), corresponding to 3 color temperatures and 3 powers respectively, which can perform the desired color temperature and lumen output combination.

Factory Settings: 4000K, Highest Wattage

1. DIP switches are located onto the side of the fixture. (see Fig.3)
2. Select a wattage and color temperature by sliding switch left or right respectively to the desired value. (see Fig.3 A)