

Project _____
 Schedule / Date _____
 Notes _____
 Catalog Number _____

PL Instant Fit Plug-In

Product Description

Our energy efficient PL LED 4-Pin Instant Fit operates with a compact fluorescent electronic ballast. This lamp is a direct replacement for a 18W or 26W, 4-Pin PL/CFL lamp.

Available in a vertical or horizontal application with a 50,000 hour rated life. Our Instant Fit PL is super efficient with energy savings up to 65%. Our LED Plug-In contains no mercury no UV or infrared radiation.



Features & Benefits

- ▶ DLC Qualified
- ▶ Damp Location
- ▶ Instant Fit (works with existing electronic ballast)
- ▶ Direct replacement for PL: 18W and 26W 4-Pin
- ▶ Available in horizontal and vertical position
- ▶ Universal socket for G24q and GX24q
- ▶ 50,000 hrs rated average life

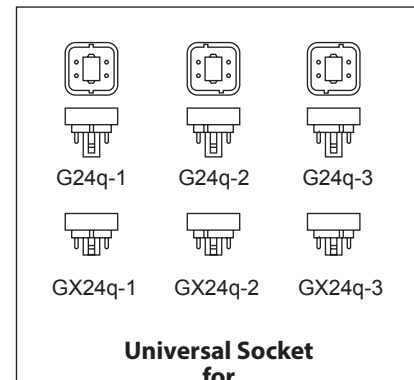
Specifications

- ▶ Instant On
- ▶ Powerfactor >0.9
- ▶ Operating temperature: -4°F ~ 113°F

Applications

- ▶ Recessed Can Lighting
- ▶ Sconces
- ▶ Ceiling Fixtures

Universal Socket





**Universal Socket
for
G24q and GX24q**



Ordering Information

*S = Standard DLC

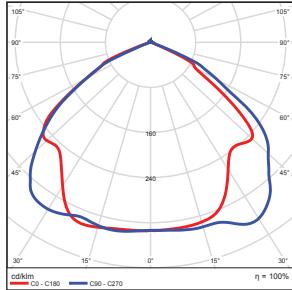
Code	Description	CCT	Watt	Lumen	Equiv Wattage	Base	Beam Angle	Rated Hrs		
4500	LED7PL/H/70L/4P/835/IF	3500K	7	700	18	G24q / GX24q	Horizontal	50,000	•	S
4501	LED7PL/H/70L/4P/840/IF	4000K	7	700	18	G24q / GX24q	Horizontal	50,000	•	S
4502	LED7PL/V/70L/4P/835/IF	3500K	7	700	18	G24q / GX24q	Vertical	50,000	•	S
4503	LED7PL/V/70L/4P/840/IF	4000K	7	700	18	G24q / GX24q	Vertical	50,000	•	S
4504	LED9PL/H/90L/4P/835/IF	3500K	9	900	26	G24q / GX24q	Horizontal	50,000	•	S
4505	LED9PL/H/90L/4P/840/IF	4000K	9	900	26	G24q / GX24q	Horizontal	50,000	•	S
4506	LED9PL/V/90L/4P/835/IF	3500K	9	900	26	G24q / GX24q	Vertical	50,000	•	S
4507	LED9PL/V/90L/4P/840/IF	4000K	9	900	26	G24q / GX24q	Vertical	50,000	•	S

Multi-Wattage Ballast Compatible

5932	LED9PL/H/4P/935/IF	3500K	5/7/9	550/650/800	13/18/26	G24q / GX24q	Horizontal	50,000	•	-
5933	LED9PL/H/4P/940/IF	4000K	5/7/9	550/650/800	13/18/26	G24q / GX24q	Horizontal	50,000	•	-
5934	LED9PL/V/4P/935/IF	3500K	5/7/9	550/650/800	13/18/26	G24q / GX24q	Vertical	50,000	•	-
5935	LED9PL/V/4P/940/IF	4000K	5/7/9	550/650/800	13/18/26	G24q / GX24q	Vertical	50,000	•	-

Photometric Data

PL-Horizontal- 7 Watt



Zonal Lumen Summary

Zone	Lumens	% Luminaire
0-30	318.56	29.60
0-40	550.58	51.20
0-60	962.54	89.60
60-80	91.26	8.50
70-80	5.78	0.50
90-120	9.67	0.90
90-180	18.17	1.70
0-180	1074.57	100.00

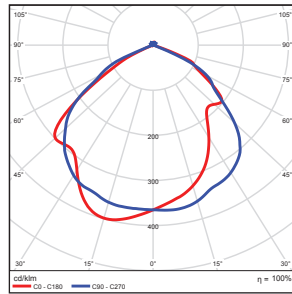
Total Luminaire Efficiency = 100.00%

Illuminance at a Distance

	Center Beam fc	Beam Width	
17.0ft	1.24 fc	41.6 ft	38.8 ft
34.0ft	0.31 fc	83.2 ft	77.6 ft
51.0ft	0.14 fc	124.8 ft	116.5 ft
68.0ft	0.08 fc	166.5 ft	155.3 ft
85.0ft	0.05 fc	208.1 ft	194.1 ft
102.0ft	0.03 fc	249.7 ft	232.9 ft

■ Vert. Spread: 101.5°
■ Horiz. Spread: 97.6°

PL-Horizontal- 9 Watt



Zonal Lumen Summary

Zone	Lumens	% Luminaire
0-30	194.95	30.90
0-40	376.17	59.50
0-60	624.55	98.90
60-80	6.59	1.00
70-80	0.98	0.20
90-120	0.04	0.00
90-180	0.43	0.10
0-180	631.75	100.00

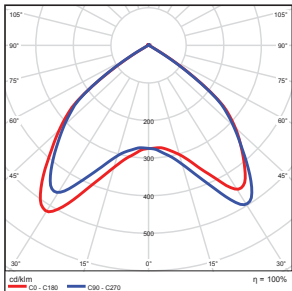
Total Luminaire Efficiency = 100.00%

Illuminance at a Distance

	Center Beam fc	Beam Width	
17.0ft	1.61 fc	34.5 ft	38.6 ft
34.0ft	0.40 fc	69.1 ft	77.2 ft
51.0ft	0.18 fc	103.6 ft	115.8 ft
68.0ft	0.10 fc	138.2 ft	154.4 ft
85.0ft	0.06 fc	172.7 ft	193.0 ft
102.0ft	0.04 fc	207.2 ft	231.6 ft

■ Vert. Spread: 90.9°
■ Horiz. Spread: 97.2°

PL-Vertical- 7 Watt



Zonal Lumen Summary

Zone	Lumens	% Luminaire
0-30	194.95	30.90
0-40	376.17	59.50
0-60	624.55	98.90
60-80	6.59	1.00
70-80	0.98	0.20
90-120	0.04	0.00
90-180	0.43	0.10
0-180	631.75	100.00

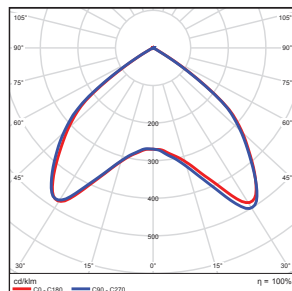
Total Luminaire Efficiency = 100.00%

Illuminance at a Distance

	Center Beam fc	Beam Width	
17.0ft	0.60 fc	41.7 ft	29.9 ft
34.0ft	0.15 fc	83.4 ft	59.7 ft
51.0ft	0.07 fc	125.1 ft	89.6 ft
68.0ft	0.04 fc	166.8 ft	119.5 ft
85.0ft	0.02 fc	208.5 ft	149.4 ft
102.0ft	0.02 fc	250.2 ft	179.2 ft

■ Vert. Spread: 101.6°
■ Horiz. Spread: 82.6°

PL-Vertical- 9 Watt



Zonal Lumen Summary

Zone	Lumens	% Luminaire
0-30	212.47	30.80
0-40	411.98	59.70
0-60	683.28	99.00
60-80	6.57	1.00
70-80	1.04	0.20
90-120	0.09	0.00
90-180	0.31	0.00
0-180	690.33	100.00

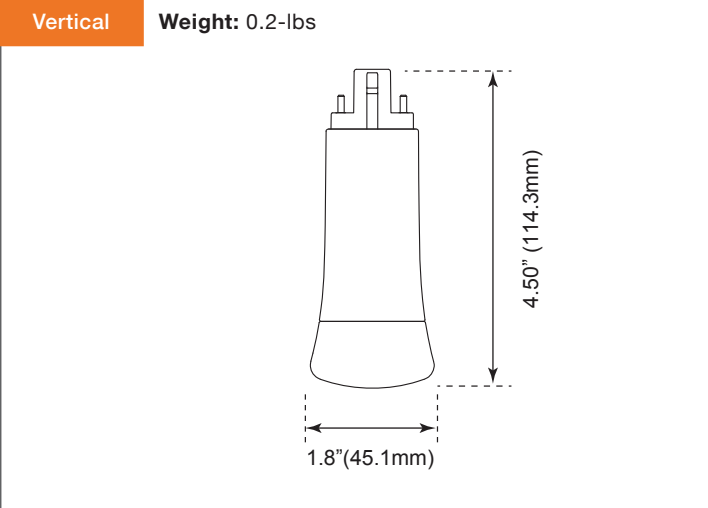
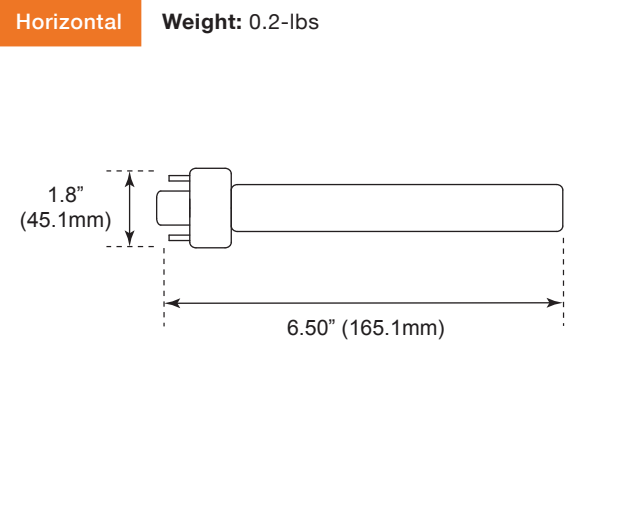
Total Luminaire Efficiency = 100.00%

Illuminance at a Distance

	Center Beam fc	Beam Width	
17.0ft	0.64 fc	32.1 ft	41.3 ft
34.0ft	0.16 fc	64.2 ft	82.6 ft
51.0ft	0.07 fc	96.3 ft	123.9 ft
68.0ft	0.04 fc	128.4 ft	165.2 ft
85.0ft	0.03 fc	160.6 ft	206.5 ft
102.0ft	0.02 fc	192.7 ft	247.8 ft

■ Vert. Spread: 86.7°
■ Horiz. Spread: 101.1°

Product Dimensions



Package

