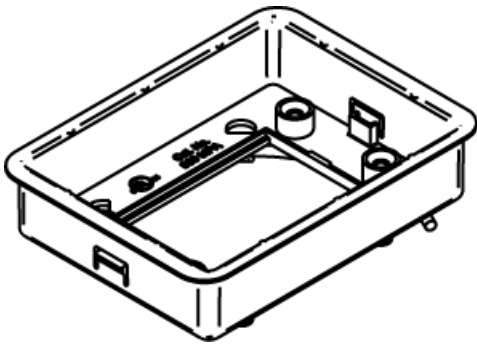




Wiremold  
Modulink™ 880MP Series Rectangular Plastic Floor Box Adjusting Ring  
Part No. 880MPA



The Modulink™ nonmetallic floor box adjusting ring comes with fiber storage loop. Also includes brass inserts for flange connection and green ground wire for ground connection. Wiremold CM Series Open System adapters that snap directly into the adjusting ring without the need for an adapter. Also includes mounting screws to attach flange to box body. NOTE: One adjusting ring is needed for each 880MP used. For example, a three-gang box will require three adjusting rings, ordered separately.

## Features & Benefits

This product meets the material restrictions of RoHS

## Specifications

### General Info

Product Line	Wiremold	Color	Black
UPC Number	786564548874	Country Of Origin	United States
Material	Plastic	Construction	Not Assembled
Application Sector	Commercial	Standard	cULus Listed Nonmetallic Outlet Boxes: File E110748 Guide QCMZ.
Warranty Type	1-Year from Installation or 2-Years from Day of Sale	Type	Accessory

### Dimensions

Product Width US	4.0 in	Product Weight US	0.36 lb
Product Volume US	32.25 cu in	Product Depth US	5.38 in
Product Height US	1.5 in		

### Listing Agencies / 3rd Party Agencies

cULus ListingNumber	E110748	cULus Listed	Yes
---------------------	---------	--------------	-----

---

## Trade Programs

---

USMCA	Yes
-------	-----

---

## Additional Information

---

RoHS Compliant	Yes	Product Environmental Profile	Yes
----------------	-----	-------------------------------	-----

---

## Technical Information

---

Cable Entry	Conduit Hub, Knockout	Number of Outlets	0
-------------	-----------------------	-------------------	---

---