

A2-LED-R

2" Architectural Remodel LED Downlight

up to 16 Watts / up to 1000 Lumens



Catalog Number:

Project Name:

Note:

Type:

DESCRIPTION

The A2-LED architectural downlight provides unparalleled versatility in a small 2" aperture, delivering a powerful and precise beam of light, with uniform, glare-free illumination.

TECHNOLOGY

Designed with superior LED technology, it offers a multitude of beam distributions, a CRI of 90+, up to 1000 lumens, 1% dimming, and an option for warm dim technology.

INSTALLATION

Included is a unique rotate and lock into position function, providing easy-installation and adjustability.

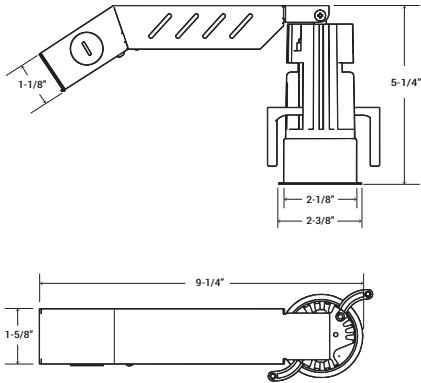
HOUSING

Thermally protected, specification grade recessed housing. For new construction and remodel insulated ceilings where housing will be in direct contact with insulation. Die-formed all aluminum construction matt black painted for maximum heat dissipation, rust protection and glare free illumination.

TRIMS

Offered with interchangeable round and square trims, multiple finish options, it provides the Elite source in flexibility.

DIMENSION



SPECIFICATIONS:

LUMENS	750 / 1000 / 1200 lumens
WATTAGE	12W / 16W
CCT	27K, 30K, 35K, 40K
CRI	90
LIGHT EFFICIENCY	up to 63 lumens/watt
DIMMING	0-10V Dimming / Triac Dimming
VOLTAGE	120-277 VAC
POWER FREQUENCY	50/60 Hz
FINISH	Black
APPLICABLE ENVIRONMENT	Dry/Damp Location IC rated at 750L

OPTICS



DIMMABLE
0-10V DIMMING

5 YEARS
LIMITED
WARRANTY



IC rated at 750L

Ordering Guide > Example: **A2-LED-R-750L-DIM10-MVOLT-MD-30K-90-A2R-F-1201-W-WH**

A2-LED-R									
SERIES	PERFORMANCE	DIMMING	VOLTAGE	OPTICS	CCT	CRI	TRIMS/COLORS		OPTION
A2-LED-R - 2" Remodel Architectural Downlight	750L - 750 lumens 1000L - 1000 lumens 1200L - 1200 lumens	DIM10 - 0-10V Dimming DIMTR - Triac Dimming	MVOLT - 120-277V (only for DIM10) 120V - 120V (only for DIMTR)	VND - 15° (Very Narrow) ND - 26° (Narrow) MD - 38° (Medium) WD - 50° (Wide)	27K - 2700K 30K - 3000K 35K - 3500K 40K - 4000K	90 - 90 CRI	ROUND A2R-F-1201 W-WH, SN-SN A2R-F-1202 W-WH, CL-WH, SN-SN A2R-F-1227 W-WH, SN-SN A2R-F-1228 W-WH, CL-WH, SN-SN	SQUARE A2S-F-1201 W-WH A2S-F-1202 W-WH A2S-F-1227 W-WH A2S-F-1228 W-WH	A2-LED-FR Frame for new construction option w/o bar hanger A2-LED-FR-BP30 Frame for new construction option with bar hanger

A2-LED-R

2" Architectural Remodel LED Downlight

Catalog Number:

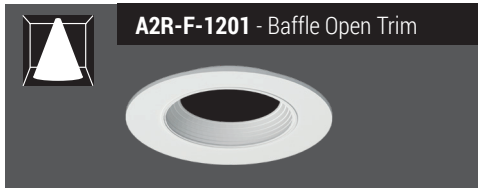
Project Name:

Note:

Type:

ROUND / SQUARE TRIMS

Round Flanged Trims



AVAILABLE COLOR OPTIONS:
W-WH (White-White)
SN-SN (Satin Nickel-Satin Nickel)



AVAILABLE COLOR OPTIONS:
W-WH (White-White)
SN-SN (Satin Nickel-Satin Nickel)



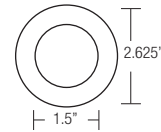
AVAILABLE COLOR OPTIONS:
W-WH (White-White)
CL-WH (Clear-White)
SN-SN (Satin Nickel-Satin Nickel)



AVAILABLE COLOR OPTIONS:
W-WH (White-White)
CL-WH (Clear-White)
SN-SN (Satin Nickel-Satin Nickel)

TRIM OPTION:

Post-painted powder coated die-cast trim available in white and custom colors. Please consult factory for custom paint color options. Trims attach to the housing with piano springs for snug fit and zero light leakage.



Square Flanged Trims



AVAILABLE COLOR OPTION:
W-WH (White-White)



AVAILABLE COLOR OPTION:
W-WH (White-White)



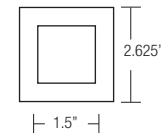
AVAILABLE COLOR OPTION:
W-WH (White-White)



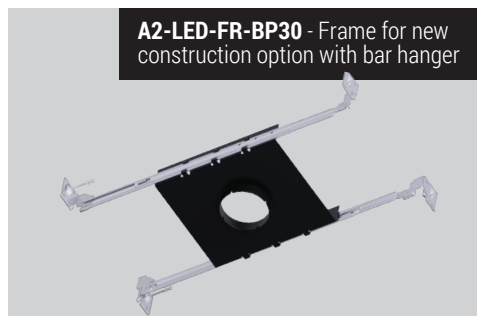
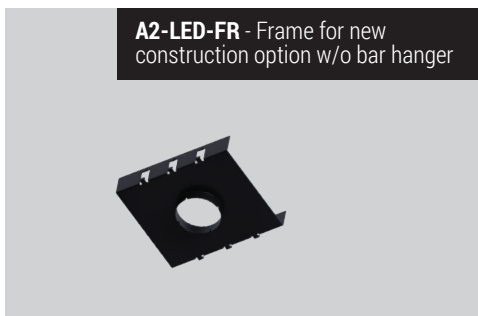
AVAILABLE COLOR OPTION:
W-WH (White-White)

TRIM OPTION:

Post-painted powder coated die-cast trim available in white and custom colors. Please consult factory for custom paint color options. Trims attach to the housing with piano springs for snug fit and zero light leakage.



Frame for New Construction



A2-LED-R-1200L-DIM10-MVOLT-MD-40K-90-A2R-F-1202-W-WH

TEST NO.: **EL06152261**

INPUT WATTS: **19.4**

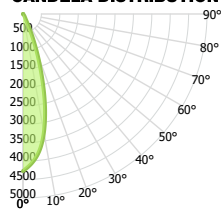
LUMENS: **1434**

EFFICACY: **74**

BEAM ANGLE: **31**

SPACING CRITERIA: **0.51**

CANDELA DISTRIBUTION



CANDELA TABLE

	0°	90°
0°	4267	4267
10°	3270	2649
20°	1105	586
30°	114	82
40°	36	28
50°	15	13
60°	11	10
70°	7	5
80°	3	1
90°	0	0

LUMINANCE (cd/sq.m)

	0.00°	90.00°
0.00°	365492	365492
45.00°	2453	2007
55.00°	1746	1682
65.00°	1794	1522
75.00°	1595	1036
85.00°	1042	39

LUMENS PER ZONE

ZONE	LUMENS
0° - 10°	382
10° - 20°	698
20° - 30°	255
30° - 40°	53
40° - 50°	20
50° - 60°	11
60° - 70°	8
70° - 80°	5
80° - 90°	1

ZONAL LUMEN SUMMARY

ZONE	UMENS	% LUMINAIRE
0° - 20°	1081	75%
0° - 30°	1335	93%
0° - 40°	1388	97%
0° - 60°	1419	99%
0° - 80°	1432	100%
0° - 90°	1433	100%

CONE OF LIGHT

MOUNTING HEIGHT	FC AT BEAM CENTER	BEAM DIA. 0°-180°	BEAM DIA. 90°-270°
6.0 ft	118.5 fc	3.3 ft	3.4 ft
8.0 ft	66.7 fc	4.4 ft	4.5 ft
10.0 ft	42.7 fc	5.5 ft	5.7 ft
12.0 ft	29.6 fc	6.6 ft	6.8 ft
14.0 ft	21.8 fc	7.7 ft	7.9 ft
16.0 ft	16.7 fc	8.8 ft	9.1 ft
18.0 ft	13.2 fc	9.9 ft	10.2 ft
20.0 ft	10.7 fc	11.0 ft	11.4 ft

INDOOR COEFFICIENTS OF UTILIZATION

pf	pc	20%																0%	
		80%				70%				50%				30%					
		70%	50%	30%	10%	70%	50%	30%	10%	50%	30%	10%	50%	30%	10%	50%	30%	10%	0%
0	119	119	119	119	116	116	116	116	111	111	111	106	106	106	102	102	102	102	100
1	115	112	110	108	112	110	108	107	106	105	103	102	101	100	99	98	97	96	96
2	110	106	103	100	108	105	102	99	102	99	97	99	97	95	96	95	93	92	92
3	106	101	97	94	105	100	96	94	98	95	92	95	93	91	93	91	89	88	88
4	103	97	93	89	101	96	92	89	94	91	88	92	89	87	90	88	86	85	85
5	99	93	88	85	98	92	88	85	90	87	84	89	86	83	87	85	83	82	82
6	96	89	85	82	95	89	84	81	87	84	81	86	83	80	85	82	80	79	79
7	93	86	82	78	92	85	81	78	84	81	78	83	80	77	82	79	77	76	76
8	90	83	79	75	89	83	78	75	82	78	75	81	77	75	80	77	74	73	73
9	87	80	76	73	87	80	76	73	79	75	72	78	75	72	78	74	72	71	71
10	85	78	73	70	84	77	73	70	77	73	70	76	72	70	75	72	70	69	69

A2-LED-R-1200L-DIM10-MVOLT-ND-40K-90-A2R-F-1202-W-WH

TEST NO.: **EL06152261**

INPUT WATTS: **19.4**

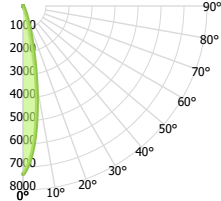
LUMENS: **1434**

EFFICACY: **74**

BEAM ANGLE: **23**

SPACING CRITERIA: **0.32**

CANDELA DISTRIBUTION



CANDELA TABLE

	0°	90°
0°	7312	7312
10°	3330	4067
20°	503	707
30°	69	96
40°	23	33
50°	11	12
60°	9	9
70°	5	5
80°	2	2
90°	0	0

LUMINANCE (cd/sq.m)

	0.00°	90.00°
0.00°	626349	626349
45.00°	1783	1931
55.00°	1464	1532
65.00°	1417	1401
75.00°	1129	1079
85.00°	511	580

LUMENS PER ZONE

ZONE	LUMENS
0° - 10°	559
10° - 20°	629
20° - 30°	165
30° - 40°	41
40° - 50°	17
50° - 60°	10
60° - 70°	8
70° - 80°	4
80° - 90°	1

ZONAL LUMEN SUMMARY

ZONE	UMENS	% LUMINAIRE
0° - 20°	1188	83%
0° - 30°	1353	94%
0° - 40°	1394	97%
0° - 60°	1421	99%
0° - 80°	1432	100%
0° - 90°	1433	100%

CONE OF LIGHT

MOUNTING HEIGHT	FC AT BEAM CENTER	BEAM DIA. 0°-180°	BEAM DIA. 90°-270°
6.0 ft	203.1 fc	2.5 ft	2.4 ft
8.0 ft	114.3 fc	3.3 ft	3.2 ft
10.0 ft	73.1 fc	4.1 ft	4.0 ft
12.0 ft	50.8 fc	4.9 ft	4.8 ft
14.0 ft	37.3 fc	5.7 ft	5.7 ft
16.0 ft	28.6 fc	6.6 ft	6.5 ft
18.0 ft	22.6 fc	7.4 ft	7.3 ft
20.0 ft	18.3 fc	8.2 ft	8.1 ft

INDOOR COEFFICIENTS OF UTILIZATION

pf	pc	20%																0%	
		80%				70%				50%				30%					
		70%	50%	30%	10%	70%	50%	30%	10%	50%	30%	10%	50%	30%	10%	50%	30%	10%	0%
0	119	119	119	119	119	116	116	116	116	111	111	111	106	106	106	102	102	102	100
1	115	113	111	109	112	111	109	107	107	105	104	103	102	101	100	99	98	96	96
2	111	107	105	102	109	106	103	101	103	101	99	100	98	97	97	96	95	93	93
3	108	103	99	97	106	102	98	96	99	97	94	97	95	93	95	93	92	90	90
4	104	99	95	92	103	98	94	92	96	93	91	94	92	90	93	90	89	87	87
5	101	96	92	89	100	95	91	88	93	90	88	92	89	87	90	88	86	85	85
6	99	93	88	86	97	92	88	85	91	87	85	89	86	84	88	86	84	83	83
7	96	90	86	83	95	89	85	83	88	85	82	87	84	82	86	83	81	80	80
8	94	87	83	80	93	87	83	80	86	82	80	85	82	80	84	81	79	78	78
9	91	85	81	78	90	84	81	78	84	80	78	83	80	78	82	79	77	77	77
10	89	83	79	76	88	82	79	76	82	78	76	81	78	76	80	78	76	75	75

A2-LED-R-1200L-DIM10-MVOLT-SP-40K-90-A2R-F-1202-W-WH

TEST NO.: **EL06152261**

INPUT WATTS: **19.4**

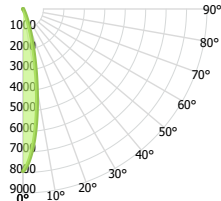
LUMENS: **1291**

EFFICACY: **67**

BEAM ANGLE: **20**

SPACING CRITERIA: **0.33**

CANDELA DISTRIBUTION



CANDELA TABLE

	0°	90°
0°	7928	7928
10°	3869	4635
20°	720	908
30°	79	88
40°	39	37
50°	16	16
60°	11	11
70°	5	6
80°	2	2
90°	0	0

LUMINANCE (cd/sq.m)

	0.00°	90.00°
0.00°	679096	679096
45.00°	2495	2540
55.00°	1995	2047
65.00°	1516	1696
75.00°	1036	1294
85.00°	452	737

LUMENS PER ZONE

ZONE	LUMENS
0° - 10°	549
10° - 20°	542
20° - 30°	127
30° - 40°	30
40° - 50°	16
50° - 60°	12
60° - 70°	8
70° - 80°	5
80° - 90°	1

ZONAL LUMEN SUMMARY

ZONE	UMENS	% LUMINAIRE
0° - 20°	1091	85%
0° - 30°	1218	94%
0° - 40°	1248	97%
0° - 60°	1276	99%
0° - 80°	1289	100%
0° - 90°	1290	100%

CONE OF LIGHT

MOUNTING HEIGHT	FC AT BEAM CENTER	BEAM DIA. 0°-180°	BEAM DIA. 90°-270°
6.0 ft	220.2 fc	2.1 ft	2.1 ft
8.0 ft	123.9 fc	2.8 ft	2.8 ft
10.0 ft	79.3 fc	3.5 ft	3.5 ft
12.0 ft	55.1 fc	4.2 ft	4.3 ft
14.0 ft	40.4 fc	4.9 ft	5.0 ft
16.0 ft	31.0 fc	5.7 ft	5.7 ft
18.0 ft	24.5 fc	6.4 ft	6.4 ft
20.0 ft	19.8 fc	7.1 ft	7.1 ft

INDOOR COEFFICIENTS OF UTILIZATION

pf	pc	20%																0%	
		80%				70%				50%				30%					
		70%	50%	30%	10%	70%	50%	30%	10%	50%	30%	10%	50%	30%	10%	50%	30%	10%	0%
0	119	119	119	119	119	116	116	116	116	111	111	111	106	106	106	102	102	102	100
1	115	113	111	109	112	111	109	107	107	105	104	103	102	101	100	99	98	96	96
2	111	108	105	102	109	106	103	101	103	101	99	100	98	97	97	96	95	93	93
3	108	103	100	97	106	102	99	96	99	97	95	97	95	93	95	93	92	91	91
4	105	99	96	93	103	9													