



matteolighting.com  
info@matteolighting.com

Toll: 1 844 628 8368  
Tel: 604 560 5136

Canada: 100-1873 Forge Place Abbotsford, BC V2T 0L2  
USA: 6875 Speedway Blvd. Ste 106 Las Vegas, NV 89115

Project: \_\_\_\_\_

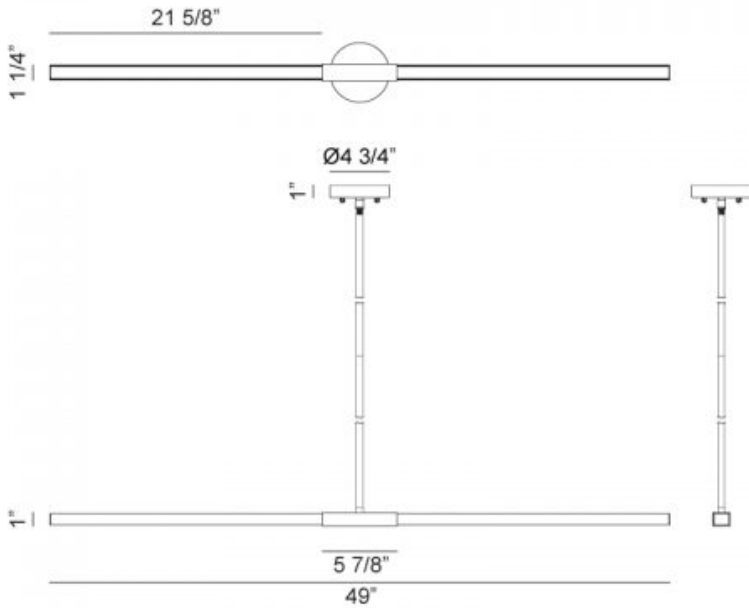
Company: \_\_\_\_\_

Location: \_\_\_\_\_ SPEC #: \_\_\_\_\_

Approved On: \_\_\_\_\_ Approved By: \_\_\_\_\_



## Pendants



### Description

#### Linear

Linear is a representation of simplicity at it's best. This simple design is made exquisite with the mixed metal colour options of Matte Black with either Chrome or Aged Gold Brass accents. This collection includes integrated LED lamping to further enhance its sleek design.

## C64749MBCH

### Specifications

FINISH .....	Matte Black + Chrome
DIMENSION .....	49"L x 1 1/4"W x 1"H
LAMPING .....	2 x 28W LED 120V
INITIAL LUMEN .....	4800
DELIVER LUMEN .....	1937.6
CRI(RA) .....	90
LED AVERAGE RATED LIFE .....	50,000 hours
COLOR TEMP .....	3000K
CANOPY SIZE .....	Ø4 3/4" x 1"H
ROD LENGTH .....	42" (12"x3+6"x1)
WIRE LENGTH .....	120" Max.
LOCATION .....	Dry
WARRANTY .....	5 years Warranty on LED Board

### Notes

