



\* Arm Mount with Top 4 Luminous Element

\* Arm Mount

\* Wall Mount

**LED WATTAGE CHART**

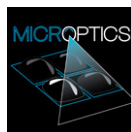
| Drive Current  | Star Power Low Glare Optics |                               | Silicone Micro Optics      |                             |
|----------------|-----------------------------|-------------------------------|----------------------------|-----------------------------|
|                | 16L                         | 32L                           | 16L                        | 32L                         |
| 350 milliamps  | -                           | 33W (3,300 - 3,432 Lumens)    | -                          | 36W (4,052 - 5,256 Lumens)  |
| 400 milliamps  | 21W (1,867 - 2,325 Lumens)  | -                             | 21W (1,981 - 2,961 Lumens) | -                           |
| 530 milliamps  | 28W (2,800 - 3,136 Lumens)  | 54W (5,400 - 6,048 Lumens)    | 28W (2,456 - 3,668 Lumens) | 54W (4,935 - 7,344 Lumens)  |
| 700 milliamps  | 36W (3,600 - 4,032 Lumens)  | 71W (7,100 - 7,952 Lumens)    | 36W (2,892 - 4,320 Lumens) | 71W (5,965 - 8,946 Lumens)  |
| 1050 milliamps | 56W (5,600 - 6,272 Lumens)  | 106W (10,600 - 11,872 Lumens) | 56W (4,398 - 6,626 Lumens) | 109W (9,028 - 9,972 Lumens) |

The beautiful and simple CAL Family's LED Pedestrian Luminaires depict not only the California lifestyle, but the architecture of California as well. This ornamental piece is a delightful sight to see and a great model to illuminate any urban, rural, retail, or park, or campus setting.

The different caps and shades depict different California styles and a touch of California's historic Spanish mission era. The CAL Family is the perfect selection to combine both design and efficiency in light performance. Designed, tooled, manufactured and assembled in the USA.

**BUY AMERICAN**

To ensure the latest BAA/TAA/BABA Standards are being met, please select BAA, TAA, or BABA in the options section. Please contact the factory before placing an order for any NLS products requesting BAA (Buy American Act), TAA (Trade American Act), or BABA (Build America, Buy America).



**STAR POWER™ OPTICAL SYSTEM**

The Star Power™ reflector is an excellent system which provides great value and performance. Star Power Patent number: 10168023

Project Name:

Type:

# CAL-S ORDERING GUIDE

| Cat#                             | Top   | Shade           | Light Dist.  | # of LEDs         | Drive Current               | Color Temp/CRI  |
|----------------------------------|---|-----------------|--|-------------------|-----------------------------|---|
| CAL-S<br>18" Diameter<br>(CAL-S) | Top 1<br>(TP1)                                | Shade 1<br>(S1) | <b>Standard Silicone Micro Optics</b><br>Type 2<br>(T2)                          | 16 LED's<br>(16L) | 350mA<br>(35) <sup>11</sup> | Amber LED 595nm<br>Dominant Wavelength<br>Standard Turtle Friendly<br>(AMBER) <sup>1, 8, 12, 23</sup> |
|                                  | Top 2<br>(TP2)                                | Shade 4<br>(S4) | Type 3<br>(T3)   | 32 LED's<br>(32L) | 400mA<br>(40) <sup>10</sup> | Amber LED Phosphor<br>Converted<br>(AMBER/PC) <sup>1, 12, 23</sup>                                    |
|                                  | Top 3<br>(TP3)                                | Shade 6<br>(S6) | <b>Performance Silicone Micro Optics</b><br>Type 4 Forward Throw Wide<br>(T4FTW) |                   | 530mA<br>(53)               | 2700K, 70 CRI<br>(27K7) <sup>2, 5</sup>   |
|                                  | Top 4 Luminous Element<br>(TP4) <sup>21</sup> | Shade 7<br>(S7) | Type 5 Wide<br>(T5W)   |                   | 700mA<br>(7)                | 2700K, 80 CRI<br>(27K8) <sup>2, 5</sup>   |
|                                  |   | Shade 8<br>(S8) | <b>Star Power Optical System</b><br>Type 2 Low Glare<br>(T2LG)                   |                   | 1050mA<br>(1)               | 3000K, 70 CRI<br>(30K7) <sup>2, 5</sup>   |
|                                  |   |                 | Type 3 Low Glare<br>(T3LG)   |                   |                             | 3000K, 80 CRI<br>(30K8) <sup>2, 5</sup>   |
|                                  |   |                 | Type 4 Low Glare<br>(T4LG)   |                   |                             | 3500K, 80 CRI<br>(35K8) <sup>2</sup>  |
|                                  |   |                 | Type 5 Low Glare<br>(T5LG)   |                   |                             | 4000K, 70 CRI<br>(40K7) <sup>2</sup>  |
|                                  |   |                 |  |                   |                             | 4000K, 80 CRI<br>(40K8) <sup>2</sup>  |
|                                  |   |                 |  |                   |                             | 5000K, 70 CRI<br>(50K7) <sup>2</sup>  |
|                                  |   |                 |  |                   |                             | 5000K, 80 CRI<br>(50K8) <sup>2</sup>  |

| Voltage            | Mounting   | Color                       | Controls   | Options   |
|--------------------|--|-----------------------------|--|---|
| 120V-277V<br>(UNV) | Architectural Arm Mount<br>(AM) <sup>3</sup>           | Bronze Textured<br>(BRZ)    | Photocell + Receptacle<br>(PCR) <sup>4, 22</sup>       | Bird Spikes<br>(BS)   |
| 347V-480V<br>(HV)  | Mast Arm Mount<br>(MA)                                 | White Textured<br>(WHT)     | Nema 7-Pin Receptacle<br>(PE7) <sup>4, 22</sup>        | House Side Shield<br>(HSS) <sup>16</sup>                                  |
|                    | Wall Mount<br>(WM)                                     | Smooth White Gloss<br>(SWT) | Receptacle + Shorting<br>Cap<br>(PER) <sup>4, 22</sup> | Glass Lens<br>(GL) <sup>17, 19</sup>                                      |
|                    | Architectural<br>Arm Wall Mount<br>(AAWM) <sup>6</sup> | Silver Metallic<br>(SVR)    | Custom Controls<br>Integration<br>(CCI) <sup>7</sup>   | Diffused Polycarbonate<br>Visual Comfort Lens<br>(DPCL) <sup>19, 20</sup> |
|                    |  | Black Textured<br>(BLK)     | FSP Remote<br>(FSIR) <sup>15</sup>                     | HAL Lens<br>(HAL) <sup>18, 19</sup>                                       |
|                    |  | Smooth Black Gloss<br>(SBK) | Button Photocell<br>(PC) <sup>4</sup>                  | Marine Grade Finish<br>(MGF)  |
|                    |  | Graphite Textured<br>(GPH)  |  | Buy American Act<br>(BAA) <sup>9</sup>                                    |
|                    |  | Grey Textured<br>(GRY)      |  | Trade Agreement Act<br>(TAA) <sup>9</sup>                                 |
|                    |  | Custom<br>(CS)              |  | Build America<br>Buy American<br>(BABA) <sup>9</sup>                      |

**NOTES:**

1. Consult Factory for Lead Time
2. Consult Factory for 90 CRI Requests
3. For Architectural Arm Mount, please select from the available arm mounts and enter it as a separate line item
4. Universal Voltage 120V-277V
5. 3000K or lower must be selected to meet International Dark Sky Association Certification
6. For AAWM, please select an Architectural Wall Mounted Arm (AA\*\*) separately
7. Please contact Factory for Custom Control Integration requests (nLight, NX, WaveLinx, Crestron, DMX/RDM, Synapse, Casambi, DALI II or other control systems)
8. Turtle Safe
9. Consult Factory for all BAA/TAA/BABA requests
10. 16L Only
11. 32L Only
12. Consult Factory for Lead Time and Estimated performance data
13. FSP-211, 120V/277VAC (800W/1200W Max), 230-240VAC (300W Max), 50/60Hz Single Phase. Field/Site line voltage must be disclosed for project validation. FSP-221, 100V-347V, 208/230/480VAC (phase to phase)
14. FSP-221, 100-347VAC 50/60Hz Single Phase, 208/230/480VAC 50/60Hz Phase-to-Phase. 120VAC (800W Max), 230-240VAC (300W Max), 277/347/480VAC (1200W Max). Field/Site line voltage must be disclosed for project validation.
15. Not available with T5 or T5W
16. Glass Lens: Low Iron Glass, fully tempered per ANSI C1047 (QCH-2201-37)
17. HAL Lens: Yellow Polycarbonate Lens – less than 2% Blue Light Content
18. Maximum of 700mA available with Lens options.
19. Diffused Polycarbonate Visual Comfort Lens
20. Maximum of 700mA available with Top 4
21. Only compatible with Arm Mount Arch Arms: 2, 3, 7-11, 13-18
22. Not available over 530mA



701 Kingshill Place, Carson, CA 90746  
Call Us Today (310) 341-2037

nlsighting.com

# PRODUCT SPECIFICATIONS

## HOUSING

Heavy Duty Marine Grade Cast and Spun Aluminum with 4 shade options and 3 cap options

## ELECTRICAL

- 120-277 Volts (UNV) or 347-480 Volts (HV)
- 0-10V dimming driver
- Driver power factor at maximum load is  $\geq .95$ , THD maximum load is 15%
- LED Drivers Ambient Temp. Min is  $-40^{\circ}\text{C}$  and Ambient Temp. Max ranges from  $50^{\circ}\text{C}$  to  $55^{\circ}\text{C}$  and, in some cases, even higher. Consult the factory for revalidation by providing the fixture catalog string before quoting and specifying it.
- All internal wiring UL certified for 600 VAC and  $105^{\circ}\text{C}$
- CRI 70, 80 or 90
- Color temperatures: Amber, 2700K, 3000K, 3500K, 4000K, 5000K
- Surge Protection: 20KA supplies as standard.

## OPTIONS

- BIRD SPIKES (BS)—offers effective and humane deterrent for larger bird species and provides cost-effective long-term solution to nuisance bird infestations.
- MARINE GRADE FINISH (MGF)—A multi-step process creating protective finishing coat against harsh environments.
  - Chemically washed in a 5 stage cleaning system.
  - Pre-baked
  - Powder coated 3-5 mils of Zinc Rich Super Durable Polyester Primer.
  - 1-2 feet inside pole coverage top and bottom.
  - Oven Baked.
  - Finished Powder Coating of Super Durable Polyester Powder Coat 3-5 mil thickness.
- SHIELDS (HSS)—House Side Shield (HSS) is designed for full property line cut-off.

## CONTROL OPTIONS

- **FSP-211 w/Motion Sensor/Photocell (120/277VAC, 230-240VAC)**  
(FSP-X) - Passive infrared (PIR) sensor providing multi-level control based on motion/daylight contribution. Standard white finish.
- **FSP-221 w/Motion Sensor/Photocell (100-347VAC, 208/230/480VAC)**  
(FSP-HV-X) - Passive infrared (PIR) sensor providing multi-level control based on motion/daylight contribution.
  - All control parameters adjustable via wireless configuration remote storing and transmitting sensor profiles.
  - FSP-8 mounting heights 8 feet and below
  - FSP-20 mounting heights 9-20 feet
  - FSP-40 mounting heights 21-40 feet
  - Includes 5 dimming event cycles, 0-10V dimming with motion sensing, re-programmable in the field.
  - FSIR-100 commissioning remote is required to change sensor settings. Please contact factory for ordering.
- Controls Agnostic: Please contact factory for your preferred controls option. (nLight, NX, WaveLinx, Crestron, DMX/RDM, Synapse, Casambi, Dali II, or other control systems)
- NEMA 7-PIN RECEPTACLE (PE7)—An ANSI C136.41-2013 receptacle provides electrical and mechanical interconnection between photo control cell and luminaire. Dimming receptacle available two or four dimming contacts supports 0-10 VDC dimming methods or Digital Addressable Lighting Interface (DALI), providing reliable power interconnect.
- PHOTOCCELL + RECEPTACLE (PCR)—7-Pin Receptacle and Electronic Twist Lock Photocell for dusk to dawn operation.
- RECEPTACLE + SHORTING CAP (PER)—7-Pin Receptacle and Shorting Cap.

## FINISH

5 mils Powder Coat

## WARRANTY

Standard Warranty is 5 years for Driver and LEDs

## LISTINGS

- UL Listed in compliance with UL 1598, the Standard for Safety of Luminaires, including the applicable wet location requirements
- IDA Dark Sky Approved

## BUY AMERICAN OPTION

While all of the NLS Lighting products listed in this document qualify for the Buy America(n) Act of 1933, we reserve the right to change our listings without notice.

The information provided above is for general informational purposes only. We encourage you to consult legal professionals for advice particular to your projects concerning BAA, TAA, BABA or Buy America.

Additional NLS Products that meet BAA, TAA standards can be found at the following link:

[https://nlsighting.com/wp-content/uploads/cs/NLS\\_BuyAmerica\(n\).pdf](https://nlsighting.com/wp-content/uploads/cs/NLS_BuyAmerica(n).pdf)



The information and specifications on this document are subject to change without any notification. All values are design, nominal, typical or prorated values when measured under internal and external laboratory conditions.



701 Kingshill Place, Carson, CA 90746  
Call Us Today (310) 341-2037

[nlsighting.com](http://nlsighting.com)

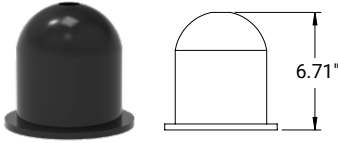
# PRODUCT SPECIFICATIONS

## PRODUCT CONFIGURATION

### TOPS

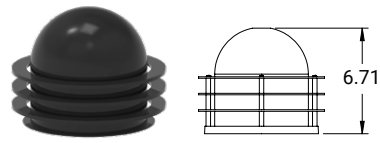
#### TOP 1

Smooth

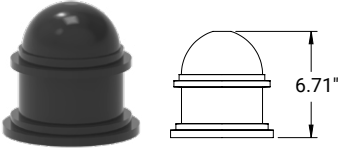


#### TOP 2

Alum. Rings

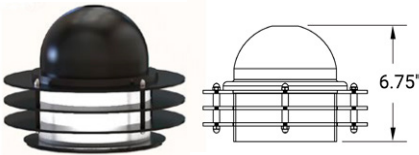


#### TOP 3

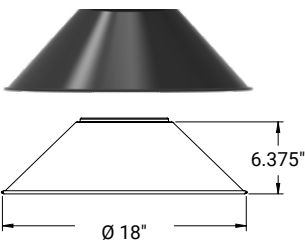


#### TOP 4

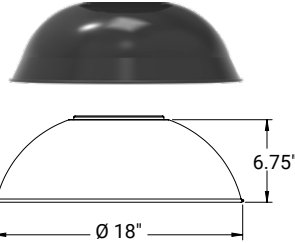
Luminous Element



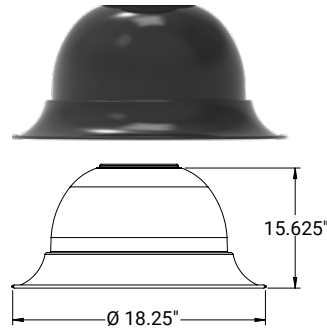
### SHADES



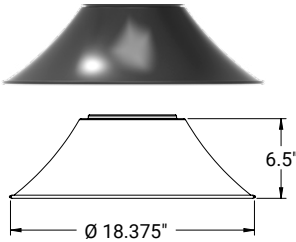
SHADE 1



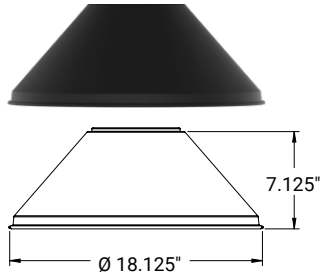
SHADE 4



SHADE 6



SHADE 7



SHADE 8

#### CAL-S FIXTURE CONFIGURATIONS - TOP 1

| FIXTURE      | CAL-S-TP1-S1 | CAL-S-TP1-S4 | CAL-S-TP1-S6 | CAL-S-TP1-S7 | CAL-S-TP1-S8 |
|--------------|--------------|--------------|--------------|--------------|--------------|
| EPA          | 0.38         | 0.45         | 0.47         | 0.37         | 0.42         |
| WEIGHT (LBS) | 24           | 24           | 24           | 24           | 24           |

#### CAL-S FIXTURE CONFIGURATIONS - TOP 2 & TOP 4

| FIXTURE      | CAL-S-TP2*-S1 | CAL-S-TP2*-S4 | CAL-S-TP2*-S6 | CAL-S-TP2*-S7 | CAL-S-TP2*-S8 |
|--------------|---------------|---------------|---------------|---------------|---------------|
| EPA          | 0.39          | 0.46          | 0.48          | 0.38          | 0.43          |
| WEIGHT (LBS) | 24            | 24            | 24            | 24            | 24            |

#### CAL-S FIXTURE CONFIGURATIONS - TOP 3

| FIXTURE      | CAL-S-TP3-S1 | CAL-S-TP3-S4 | CAL-S-TP3-S6 | CAL-S-TP3-S7 | CAL-S-TP3-S8 |
|--------------|--------------|--------------|--------------|--------------|--------------|
| EPA          | 0.38         | 0.46         | 0.48         | 0.38         | 0.42         |
| WEIGHT (LBS) | 24           | 24           | 24           | 24           | 24           |

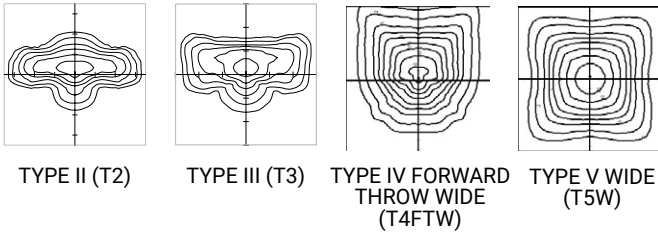
\* Measurements are the same for Top 4

# PRODUCT SPECIFICATIONS

## OPTICS

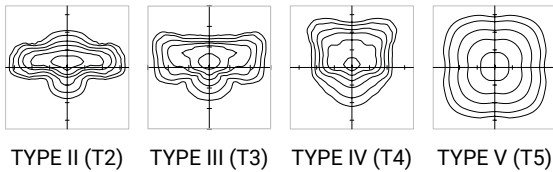
Silicone optics high photothermal stability and light output provides higher powered LEDs with minimized lumen depreciation LED life. UV and thermal stability with scratch resistance increases exterior application durability.

IES Types

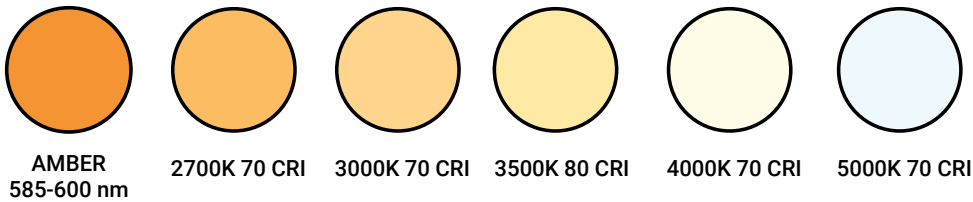


Star Power T2, T3, T4 and T5

• IES Types



## LED KELVIN RANGE



| Color | Dominant or Peak Wavelength Range (nm) |         |
|-------|--|---------|
|       | Minimum                                | Maximum |
| Amber | 585                                    | 600     |

| Lumen Maintenance Data                   |               |            |             |  |               |               |                 |
|--|---------------|------------|-------------|--|---------------|---------------|-----------------|
| Ambient Temperature                      | Drive Current | L90 Hours* | L70 Hours** | 30,000 Hours*                              | 50,000 Hours* | 60,000 Hours* | 100,000 Hours** |
| 25°C                                     | Up to 700mA   | 58,000     | 173,000     | 95.7%                                      | 91.6%         | 89.6%         | 82.1%           |
|  | 1050mA        | 48,000     | 143,000     | 94.3%                                      | 89.5%         | 87.2%         | 78.5%           |
| *Reported extrapolations per IESNA TM-21 |               |            |             | **Projected extrapolations per IESNA TM-21 |               |               |                 |

## Performance Plus Solution

### What is "Performance Plus"?

#### **Light Pattern Optimization + Lumen Maintenance Longevity + High Efficacy + Visual Comfort**

Performance Plus solutions combine Performance Silicone Micro Optics with maximum LED count at lower drive currents. This strategy enhances luminaire efficiency, visual comfort, and the reduced maintenance costs already associated with NLS's Performance Silicone Micro Optics. It can also deliver an additional 20% in savings for both new construction and retrofit projects.



### Do More With Less

#### **New Construction:**

Saves tens-to-hundreds of thousands of dollars in upfront project cost

Performance Silicone Micro Optics save end users thousands in material and installation costs by reducing the fixtures by an average of 15%. Efficient and precise Performance Silicone Micro Optics materially improve fixture spacing without sacrificing light levels.

#### **Retrofit:**

Saves tens-to-hundreds of thousands of dollars in project life cycle energy

Performance Silicone Micro Optics provide substantial energy savings, while markedly outperforming industry benchmarks for light output depreciation and illumination quality.



# PRODUCT SPECIFICATIONS

## LUMEN CHARTS

| STAR POWER OPTICS |       |      |            |       |      |            |       |      |            |       |      |            |         |
|-------------------|-------|------|------------|-------|------|------------|-------|------|------------|-------|------|------------|---------|
| PART NUMBER       | T2    | LM/W | BUG RATING | T3    | LM/W | BUG RATING | T4    | LM/W | BUG RATING | T5    | LM/W | BUG RATING | WATTAGE |
| CAL-S-16L-40-27K7 | 1990  | 95   |            | 1954  | 93   |            | 1972  | 94   |            | 1867  | 89   |            | 21      |
| CAL-S-16L-40-27K8 | 1863  | 89   |            | 1830  | 87   |            | 1847  | 88   |            | 1748  | 83   |            | 21      |
| CAL-S-16L-40-30K8 | 1998  | 95   |            | 1962  | 93   |            | 1980  | 94   |            | 1874  | 89   |            | 21      |
| CAL-S-16L-40-30K7 | 2152  | 102  |            | 2113  | 101  |            | 2132  | 102  |            | 2019  | 96   |            | 21      |
| CAL-S-16L-40-35K8 | 1998  | 95   |            | 1962  | 93   |            | 1980  | 94   |            | 1874  | 89   |            | 21      |
| CAL-S-16L-40-40K8 | 2152  | 102  |            | 2113  | 101  |            | 2132  | 102  |            | 2019  | 96   |            | 21      |
| CAL-S-16L-40-40K7 | 2325  | 111  |            | 2283  | 109  |            | 2304  | 110  |            | 2181  | 104  |            | 21      |
| CAL-S-16L-40-50K8 | 2152  | 102  |            | 2113  | 101  |            | 2132  | 102  |            | 2019  | 96   |            | 21      |
| CAL-S-16L-40-50K7 | 2325  | 111  |            | 2283  | 109  |            | 2304  | 110  |            | 2181  | 104  |            | 21      |
| CAL-S-16L-53-30K7 | 2856  | 102  | B1-U0-G1   | 2884  | 103  | B1-U0-G1   | 2912  | 104  | B1-U0-G1   | 2800  | 100  | B2-U0-G1   | 28      |
| CAL-S-16L-53-40K7 | 2968  | 106  | B1-U0-G1   | 2968  | 106  | B1-U0-G1   | 2996  | 107  | B1-U0-G1   | 2884  | 103  | B2-U0-G1   | 28      |
| CAL-S-16L-53-50K7 | 3136  | 112  | B1-U0-G1   | 3108  | 111  | B1-U0-G1   | 3136  | 112  | B1-U0-G1   | 2968  | 106  | B2-U0-G1   | 28      |
| CAL-S-16L-7-30K7  | 3672  | 102  | B1-U0-G1   | 3708  | 103  | B1-U0-G1   | 3744  | 104  | B1-U0-G2   | 3600  | 100  | B2-U0-G1   | 36      |
| CAL-S-16L-7-40K7  | 3816  | 106  | B1-U0-G1   | 3816  | 106  | B1-U0-G1   | 3852  | 107  | B1-U0-G2   | 3708  | 103  | B2-U0-G1   | 36      |
| CAL-S-16L-7-50K7  | 4032  | 112  | B1-U0-G1   | 3996  | 111  | B1-U0-G1   | 4032  | 112  | B1-U0-G2   | 3816  | 106  | B2-U0-G1   | 36      |
| CAL-S-16L-1-30K7  | 5712  | 102  | B2-U0-G2   | 5768  | 103  | B1-U0-G1   | 5824  | 104  | B2-U0-G2   | 5600  | 100  | B3-U0-G1   | 56      |
| CAL-S-16L-1-40K7  | 5936  | 106  | B2-U0-G2   | 5936  | 106  | B1-U0-G1   | 5992  | 107  | B2-U0-G2   | 5768  | 103  | B3-U0-G1   | 56      |
| CAL-S-16L-1-50K7  | 6272  | 112  | B2-U0-G2   | 6216  | 111  | B1-U0-G1   | 6272  | 112  | B2-U0-G2   | 5936  | 106  | B3-U0-G1   | 56      |
| CAL-S-32L-35-30K7 | 3366  | 102  | B1-U0-G1   | 3399  | 103  | B1-U0-G1   | 3432  | 104  | B1-U0-G2   | 3300  | 100  | B2-U0-G1   | 33      |
| CAL-S-32L-35-40K7 | 3498  | 106  | B1-U0-G1   | 3498  | 106  | B1-U0-G1   | 3531  | 107  | B1-U0-G2   | 3399  | 103  | B2-U0-G1   | 33      |
| CAL-S-32L-35-50K7 | 3696  | 112  | B1-U0-G1   | 3663  | 111  | B1-U0-G1   | 3696  | 112  | B1-U0-G2   | 3498  | 106  | B2-U0-G1   | 33      |
| CAL-S-32L-53-30K7 | 5508  | 102  | B2-U0-G2   | 5562  | 103  | B1-U0-G1   | 5616  | 104  | B1-U0-G2   | 5400  | 100  | B3-U0-G1   | 54      |
| CAL-S-32L-53-40K7 | 5724  | 106  | B2-U0-G2   | 5724  | 106  | B1-U0-G1   | 5778  | 107  | B2-U0-G2   | 5562  | 103  | B3-U0-G1   | 54      |
| CAL-S-32L-53-50K7 | 6048  | 112  | B2-U0-G2   | 5994  | 111  | B1-U0-G1   | 6048  | 112  | B2-U0-G2   | 5724  | 106  | B3-U0-G1   | 54      |
| CAL-S-32L-7-30K7  | 7242  | 102  | B2-U0-G2   | 7313  | 103  | B2-U0-G2   | 7384  | 104  | B2-U0-G2   | 7100  | 100  | B3-U0-G1   | 71      |
| CAL-S-32L-7-40K7  | 7526  | 106  | B2-U0-G2   | 7597  | 107  | B2-U0-G2   | 7597  | 107  | B2-U0-G3   | 7313  | 103  | B3-U0-G1   | 71      |
| CAL-S-32L-7-50K7  | 7952  | 112  | B2-U0-G2   | 7881  | 111  | B2-U0-G2   | 7952  | 112  | B2-U0-G3   | 7526  | 106  | B3-U0-G1   | 71      |
| CAL-S-32L-1-30K7  | 10812 | 102  | B3-U0-G3   | 10918 | 103  | B2-U0-G2   | 11024 | 104  | B2-U0-G3   | 10600 | 100  | B3-U0-G2   | 106     |
| CAL-S-32L-1-40K7  | 11236 | 106  | B3-U0-G3   | 11342 | 107  | B2-U0-G2   | 11342 | 107  | B3-U0-G3   | 10918 | 103  | B3-U0-G2   | 106     |
| CAL-S-32L-1-50K7  | 11872 | 112  | B3-U0-G3   | 11766 | 111  | B2-U0-G2   | 11872 | 112  | B3-U0-G3   | 11236 | 106  | B3-U0-G2   | 106     |

3000k or warmer must be selected to meet International Dark-Sky Association certification.

| SILICONE MICRO OPTICS - 16 LED |      |     |      |     |       |     |      |     |         |
|--------------------------------|------|-----|------|-----|-------|-----|------|-----|---------|
| PART NUMBER                    | T2   | LPW | T3   | LPW | T4FTW | LPW | T5W  | LPW | WATTAGE |
| CAL-S-16L-40-27K7              | 2470 | 118 | 2434 | 116 | 2258  | 108 | 2487 | 118 | 21      |
| CAL-S-16L-40-27K8              | 2167 | 103 | 2136 | 102 | 1981  | 94  | 2182 | 104 | 21      |
| CAL-S-16L-40-30K7              | 2867 | 137 | 2826 | 135 | 2621  | 125 | 2887 | 137 | 21      |
| CAL-S-16L-40-30K8              | 2281 | 109 | 2249 | 107 | 2086  | 99  | 2298 | 109 | 21      |
| CAL-S-16L-40-35K8              | 2352 | 112 | 2318 | 110 | 2150  | 102 | 2369 | 113 | 21      |
| CAL-S-16L-40-40K7              | 2940 | 140 | 2898 | 138 | 2688  | 128 | 2961 | 141 | 21      |
| CAL-S-16L-40-40K8              | 2440 | 116 | 2405 | 115 | 2231  | 106 | 2458 | 117 | 21      |
| CAL-S-16L-40-50K7              | 2940 | 140 | 2898 | 138 | 2688  | 128 | 2961 | 141 | 21      |
| CAL-S-16L-40-50K8              | 2440 | 116 | 2405 | 115 | 2231  | 106 | 2458 | 117 | 21      |
| CAL-S-16L-53-27K7              | 3058 | 109 | 3011 | 108 | 2799  | 100 | 3081 | 110 | 28      |
| CAL-S-16L-53-27K8              | 2683 | 96  | 2641 | 94  | 2456  | 88  | 2703 | 97  | 28      |
| CAL-S-16L-53-30K7              | 3549 | 127 | 3494 | 125 | 3249  | 116 | 3576 | 128 | 28      |
| CAL-S-16L-53-30K8              | 2825 | 101 | 2781 | 99  | 2586  | 92  | 2846 | 102 | 28      |
| CAL-S-16L-53-35K8              | 2912 | 104 | 2867 | 102 | 2666  | 95  | 2934 | 105 | 28      |
| CAL-S-16L-53-40K7              | 3640 | 130 | 3584 | 128 | 3332  | 119 | 3668 | 131 | 28      |
| CAL-S-16L-53-40K8              | 3021 | 108 | 2975 | 106 | 2766  | 99  | 3044 | 109 | 28      |
| CAL-S-16L-53-50K7              | 3640 | 130 | 3584 | 128 | 3332  | 119 | 3668 | 131 | 28      |
| CAL-S-16L-53-50K8              | 3021 | 108 | 2975 | 106 | 2766  | 99  | 3044 | 109 | 28      |
| CAL-S-16L-7-27K7               | 3629 | 101 | 3568 | 99  | 3296  | 92  | 3629 | 101 | 36      |
| CAL-S-16L-7-27K8               | 3184 | 88  | 3131 | 87  | 2892  | 80  | 3184 | 88  | 36      |
| CAL-S-16L-7-30K7               | 4212 | 117 | 4142 | 115 | 3826  | 106 | 4212 | 117 | 36      |
| CAL-S-16L-7-30K8               | 3352 | 93  | 3296 | 92  | 3045  | 85  | 3352 | 93  | 36      |
| CAL-S-16L-7-35K8               | 3456 | 96  | 3398 | 94  | 3139  | 87  | 3456 | 96  | 36      |
| CAL-S-16L-7-40K7               | 4320 | 120 | 4248 | 118 | 3924  | 109 | 4320 | 120 | 36      |
| CAL-S-16L-7-40K8               | 3586 | 100 | 3526 | 98  | 3257  | 90  | 3586 | 100 | 36      |
| CAL-S-16L-7-50K7               | 4320 | 120 | 4248 | 118 | 3924  | 109 | 4320 | 120 | 36      |
| CAL-S-16L-7-50K8               | 3586 | 100 | 3526 | 98  | 3257  | 90  | 3586 | 100 | 36      |
| CAL-S-16L-1-27K7               | 5561 | 99  | 5460 | 98  | 5013  | 90  | 5566 | 99  | 56      |
| CAL-S-16L-1-27K8               | 4879 | 87  | 4791 | 86  | 4398  | 79  | 4883 | 87  | 56      |
| CAL-S-16L-1-30K7               | 6455 | 115 | 6338 | 113 | 5819  | 104 | 6460 | 115 | 56      |
| CAL-S-16L-1-30K8               | 5137 | 92  | 5044 | 90  | 4631  | 83  | 5142 | 92  | 56      |
| CAL-S-16L-1-35K8               | 5296 | 95  | 5200 | 93  | 4774  | 85  | 5301 | 95  | 56      |
| CAL-S-16L-1-40K7               | 6620 | 118 | 6500 | 116 | 5968  | 107 | 6626 | 118 | 56      |
| CAL-S-16L-1-40K8               | 5495 | 98  | 5395 | 96  | 4953  | 88  | 5500 | 98  | 56      |
| CAL-S-16L-1-50K7               | 6620 | 118 | 6500 | 116 | 5968  | 107 | 6626 | 118 | 56      |
| CAL-S-16L-1-50K8               | 5495 | 98  | 5395 | 96  | 4953  | 88  | 5500 | 98  | 56      |



701 Kingshill Place, Carson, CA 90746  
Call Us Today (310) 341-2037

nlsighting.com

# PRODUCT SPECIFICATIONS

## LUMEN CHARTS

| SILICONE MICRO OPTICS - 32 LED |       |     |       |     |       |     |       |     |         |
|--------------------------------|-------|-----|-------|-----|-------|-----|-------|-----|---------|
| PART NUMBER                    | T2    | LPW | T3    | LPW | T4FTW | LPW | T5W   | LPW | WATTAGE |
| CAL-S-32L-35-27K7              | 4355  | 121 | 4294  | 119 | 4052  | 113 | 4415  | 123 | 36      |
| CAL-S-32L-35-27K8              | 3821  | 106 | 3768  | 105 | 3555  | 99  | 3874  | 108 | 36      |
| CAL-S-32L-35-30K7              | 5054  | 140 | 4984  | 138 | 4703  | 131 | 5125  | 142 | 36      |
| CAL-S-32L-35-30K8              | 4023  | 112 | 3967  | 110 | 3743  | 104 | 4079  | 113 | 36      |
| CAL-S-32L-35-35K8              | 4147  | 115 | 4090  | 114 | 3859  | 107 | 4205  | 117 | 36      |
| CAL-S-32L-35-40K7              | 5184  | 144 | 5112  | 142 | 4824  | 134 | 5256  | 146 | 36      |
| CAL-S-32L-35-40K8              | 4303  | 120 | 4243  | 118 | 4004  | 111 | 4362  | 121 | 36      |
| CAL-S-32L-35-50K7              | 5184  | 144 | 5112  | 142 | 4824  | 134 | 5256  | 146 | 36      |
| CAL-S-32L-35-50K8              | 4303  | 120 | 4243  | 118 | 4004  | 111 | 4362  | 121 | 36      |
| CAL-S-32L-53-27K7              | 6078  | 113 | 6033  | 112 | 5625  | 104 | 6169  | 114 | 54      |
| CAL-S-32L-53-27K8              | 5333  | 99  | 5293  | 98  | 4935  | 91  | 5413  | 100 | 54      |
| CAL-S-32L-53-30K7              | 7055  | 131 | 7002  | 130 | 6529  | 121 | 7160  | 133 | 54      |
| CAL-S-32L-53-30K8              | 5615  | 104 | 5573  | 103 | 5196  | 96  | 5699  | 106 | 54      |
| CAL-S-32L-53-35K8              | 5789  | 107 | 5746  | 106 | 5357  | 99  | 5875  | 109 | 54      |
| CAL-S-32L-53-40K7              | 7236  | 134 | 7182  | 133 | 6696  | 124 | 7344  | 136 | 54      |
| CAL-S-32L-53-40K8              | 6006  | 111 | 5961  | 110 | 5558  | 103 | 6096  | 113 | 54      |
| CAL-S-32L-53-50K7              | 7236  | 134 | 7182  | 133 | 6696  | 124 | 7344  | 136 | 54      |
| CAL-S-32L-53-50K8              | 6006  | 111 | 5961  | 110 | 5558  | 103 | 6096  | 113 | 54      |
| CAL-S-32L-7-27K7               | 7395  | 104 | 7336  | 103 | 6799  | 96  | 7515  | 106 | 71      |
| CAL-S-32L-7-27K8               | 6489  | 91  | 6436  | 91  | 5965  | 84  | 6593  | 93  | 71      |
| CAL-S-32L-7-30K7               | 8584  | 121 | 8515  | 120 | 7892  | 111 | 8722  | 123 | 71      |
| CAL-S-32L-7-30K8               | 6832  | 96  | 6777  | 95  | 6281  | 88  | 6942  | 98  | 71      |
| CAL-S-32L-7-35K8               | 7043  | 99  | 6986  | 98  | 6475  | 91  | 7157  | 101 | 71      |
| CAL-S-32L-7-40K7               | 8804  | 124 | 8733  | 123 | 8094  | 114 | 8946  | 126 | 71      |
| CAL-S-32L-7-40K8               | 7307  | 103 | 7248  | 102 | 6718  | 95  | 7425  | 105 | 71      |
| CAL-S-32L-7-50K7               | 8804  | 124 | 8733  | 123 | 8094  | 114 | 8946  | 126 | 71      |
| CAL-S-32L-7-50K8               | 7307  | 103 | 7248  | 102 | 6718  | 95  | 7425  | 105 | 71      |
| CAL-S-32L-1-27K7               | 11151 | 102 | 11054 | 101 | 10289 | 94  | 11365 | 104 | 109     |
| CAL-S-32L-1-27K8               | 9784  | 90  | 9699  | 89  | 9028  | 83  | 9972  | 91  | 109     |
| CAL-S-32L-1-30K7               | 12943 | 119 | 12831 | 118 | 11943 | 110 | 13192 | 121 | 109     |
| CAL-S-32L-1-30K8               | 10301 | 95  | 10212 | 94  | 9505  | 87  | 10499 | 96  | 109     |
| CAL-S-32L-1-35K8               | 10620 | 97  | 10528 | 97  | 9799  | 90  | 10824 | 99  | 109     |
| CAL-S-32L-1-40K7               | 13275 | 122 | 13160 | 121 | 12249 | 112 | 13530 | 124 | 109     |
| CAL-S-32L-1-40K8               | 11018 | 101 | 10923 | 100 | 10167 | 93  | 11230 | 103 | 109     |
| CAL-S-32L-1-50K7               | 13275 | 122 | 13160 | 121 | 12249 | 112 | 13530 | 124 | 109     |
| CAL-S-32L-1-50K8               | 11018 | 101 | 10923 | 100 | 10167 | 93  | 11230 | 103 | 109     |

# PRODUCT SPECIFICATIONS

## BUG CHARTS

| SILICONE MICRO OPTICS - 16 LED |          |          |          |          |
|--------------------------------|----------|----------|----------|----------|
| PART NUMBER                    | T2       | T3       | T4FTW    | T5W      |
| CAL-S-16L-40-27K7              | B1-U0-G1 | B1-U0-G1 | B1-U0-G1 | B2-U0-G1 |
| CAL-S-16L-40-27K8              | B1-U0-G1 | B1-U0-G1 | B1-U0-G1 | B2-U0-G1 |
| CAL-S-16L-40-30K7              | B1-U0-G1 | B1-U0-G1 | B1-U0-G2 | B2-U0-G1 |
| CAL-S-16L-40-30K8              | B1-U0-G1 | B1-U0-G1 | B1-U0-G1 | B2-U0-G1 |
| CAL-S-16L-40-35K8              | B1-U0-G1 | B1-U0-G1 | B1-U0-G1 | B2-U0-G1 |
| CAL-S-16L-40-40K7              | B1-U0-G1 | B1-U0-G1 | B1-U0-G2 | B2-U0-G1 |
| CAL-S-16L-40-40K8              | B1-U0-G1 | B1-U0-G1 | B1-U0-G1 | B2-U0-G1 |
| CAL-S-16L-40-50K7              | B1-U0-G1 | B1-U0-G1 | B1-U0-G2 | B2-U0-G1 |
| CAL-S-16L-40-50K8              | B1-U0-G1 | B1-U0-G1 | B1-U0-G1 | B2-U0-G1 |
| CAL-S-16L-53-27K7              | B1-U0-G1 | B1-U0-G1 | B1-U0-G2 | B2-U0-G1 |
| CAL-S-16L-53-27K8              | B1-U0-G1 | B1-U0-G1 | B1-U0-G2 | B2-U0-G1 |
| CAL-S-16L-53-30K7              | B1-U0-G1 | B1-U0-G1 | B1-U0-G2 | B3-U0-G1 |
| CAL-S-16L-53-30K8              | B1-U0-G1 | B1-U0-G1 | B1-U0-G2 | B2-U0-G1 |
| CAL-S-16L-53-35K8              | B1-U0-G1 | B1-U0-G1 | B1-U0-G2 | B2-U0-G1 |
| CAL-S-16L-53-40K7              | B1-U0-G1 | B1-U0-G1 | B1-U0-G2 | B3-U0-G1 |
| CAL-S-16L-53-40K8              | B1-U0-G1 | B1-U0-G1 | B1-U0-G2 | B2-U0-G1 |
| CAL-S-16L-53-50K7              | B1-U0-G1 | B1-U0-G1 | B1-U0-G2 | B3-U0-G1 |
| CAL-S-16L-53-50K8              | B1-U0-G1 | B1-U0-G1 | B1-U0-G2 | B2-U0-G1 |
| CAL-S-16L-7-27K7               | B1-U0-G1 | B1-U0-G1 | B1-U0-G2 | B3-U0-G1 |
| CAL-S-16L-7-27K8               | B1-U0-G1 | B1-U0-G1 | B1-U0-G2 | B2-U0-G1 |
| CAL-S-16L-7-30K7               | B1-U0-G1 | B1-U0-G1 | B1-U0-G2 | B3-U0-G1 |
| CAL-S-16L-7-30K8               | B1-U0-G1 | B1-U0-G1 | B1-U0-G2 | B2-U0-G1 |
| CAL-S-16L-7-35K8               | B1-U0-G1 | B1-U0-G1 | B1-U0-G2 | B2-U0-G1 |
| CAL-S-16L-7-40K7               | B1-U0-G1 | B1-U0-G1 | B1-U0-G2 | B3-U0-G1 |
| CAL-S-16L-7-40K8               | B1-U0-G1 | B1-U0-G1 | B1-U0-G2 | B3-U0-G1 |
| CAL-S-16L-7-50K7               | B1-U0-G1 | B1-U0-G1 | B1-U0-G2 | B3-U0-G1 |
| CAL-S-16L-7-50K8               | B1-U0-G1 | B1-U0-G1 | B1-U0-G2 | B3-U0-G1 |
| CAL-S-16L-1-27K7               | B1-U0-G1 | B1-U0-G1 | B1-U0-G2 | B3-U0-G2 |
| CAL-S-16L-1-27K8               | B1-U0-G1 | B1-U0-G1 | B1-U0-G2 | B3-U0-G2 |
| CAL-S-16L-1-30K7               | B2-U0-G2 | B2-U0-G2 | B1-U0-G3 | B3-U0-G2 |
| CAL-S-16L-1-30K8               | B1-U0-G1 | B1-U0-G1 | B1-U0-G2 | B3-U0-G2 |
| CAL-S-16L-1-35K8               | B1-U0-G1 | B1-U0-G1 | B1-U0-G2 | B3-U0-G2 |
| CAL-S-16L-1-40K7               | B2-U0-G2 | B2-U0-G2 | B1-U0-G3 | B3-U0-G2 |
| CAL-S-16L-1-40K8               | B1-U0-G1 | B1-U0-G1 | B1-U0-G2 | B3-U0-G2 |
| CAL-S-16L-1-50K7               | B2-U0-G2 | B2-U0-G2 | B1-U0-G3 | B3-U0-G2 |
| CAL-S-16L-1-50K8               | B1-U0-G1 | B1-U0-G1 | B1-U0-G2 | B3-U0-G2 |

| SILICONE MICRO OPTICS - 32 LED |          |          |          |          |
|--------------------------------|----------|----------|----------|----------|
| PART NUMBER                    | T2       | T3       | T4FTW    | T5W      |
| CAL-S-32L-35-27K7              | B1-U0-G1 | B1-U0-G1 | B1-U0-G2 | B3-U0-G2 |
| CAL-S-32L-35-27K8              | B1-U0-G1 | B1-U0-G1 | B1-U0-G2 | B3-U0-G1 |
| CAL-S-32L-35-30K7              | B1-U0-G1 | B1-U0-G1 | B1-U0-G2 | B3-U0-G2 |
| CAL-S-32L-35-30K8              | B1-U0-G1 | B1-U0-G1 | B1-U0-G2 | B3-U0-G2 |
| CAL-S-32L-35-35K8              | B1-U0-G1 | B1-U0-G1 | B1-U0-G2 | B3-U0-G2 |
| CAL-S-32L-35-40K7              | B1-U0-G1 | B1-U0-G1 | B1-U0-G2 | B3-U0-G2 |
| CAL-S-32L-35-40K8              | B1-U0-G1 | B1-U0-G1 | B1-U0-G2 | B3-U0-G2 |
| CAL-S-32L-35-50K7              | B1-U0-G1 | B1-U0-G1 | B1-U0-G2 | B3-U0-G2 |
| CAL-S-32L-35-50K8              | B1-U0-G1 | B1-U0-G1 | B1-U0-G2 | B3-U0-G2 |
| CAL-S-32L-53-27K7              | B1-U0-G1 | B2-U0-G2 | B1-U0-G3 | B3-U0-G2 |
| CAL-S-32L-53-27K8              | B1-U0-G1 | B1-U0-G1 | B1-U0-G3 | B3-U0-G2 |
| CAL-S-32L-53-30K7              | B2-U0-G2 | B2-U0-G2 | B1-U0-G3 | B3-U0-G2 |
| CAL-S-32L-53-30K8              | B1-U0-G1 | B1-U0-G1 | B1-U0-G3 | B3-U0-G2 |
| CAL-S-32L-53-35K8              | B1-U0-G1 | B2-U0-G2 | B1-U0-G3 | B3-U0-G2 |
| CAL-S-32L-53-40K7              | B2-U0-G2 | B2-U0-G2 | B1-U0-G3 | B3-U0-G2 |
| CAL-S-32L-53-40K8              | B1-U0-G1 | B2-U0-G2 | B1-U0-G3 | B3-U0-G2 |
| CAL-S-32L-53-50K7              | B2-U0-G2 | B2-U0-G2 | B1-U0-G3 | B3-U0-G2 |
| CAL-S-32L-53-50K8              | B1-U0-G1 | B2-U0-G2 | B1-U0-G3 | B3-U0-G2 |
| CAL-S-32L-7-27K7               | B2-U0-G2 | B2-U0-G2 | B1-U0-G3 | B3-U0-G2 |
| CAL-S-32L-7-27K8               | B1-U0-G1 | B2-U0-G2 | B1-U0-G3 | B3-U0-G2 |
| CAL-S-32L-7-30K7               | B2-U0-G2 | B2-U0-G2 | B2-U0-G3 | B4-U0-G2 |
| CAL-S-32L-7-30K8               | B2-U0-G2 | B2-U0-G2 | B1-U0-G3 | B3-U0-G2 |
| CAL-S-32L-7-35K8               | B2-U0-G2 | B2-U0-G2 | B1-U0-G3 | B3-U0-G2 |
| CAL-S-32L-7-40K7               | B2-U0-G2 | B2-U0-G2 | B2-U0-G3 | B4-U0-G2 |
| CAL-S-32L-7-40K8               | B2-U0-G2 | B2-U0-G2 | B1-U0-G3 | B3-U0-G2 |
| CAL-S-32L-7-50K7               | B2-U0-G2 | B2-U0-G2 | B2-U0-G3 | B4-U0-G2 |
| CAL-S-32L-7-50K8               | B2-U0-G2 | B2-U0-G2 | B1-U0-G3 | B3-U0-G2 |
| CAL-S-32L-1-27K7               | B2-U0-G2 | B2-U0-G2 | B2-U0-G3 | B4-U0-G3 |
| CAL-S-32L-1-27K8               | B2-U0-G2 | B2-U0-G2 | B2-U0-G3 | B4-U0-G3 |
| CAL-S-32L-1-30K7               | B2-U0-G2 | B3-U0-G3 | B2-U0-G4 | B4-U0-G3 |
| CAL-S-32L-1-30K8               | B2-U0-G2 | B2-U0-G2 | B2-U0-G3 | B4-U0-G3 |
| CAL-S-32L-1-35K8               | B2-U0-G2 | B2-U0-G2 | B2-U0-G3 | B4-U0-G3 |
| CAL-S-32L-1-40K7               | B2-U0-G2 | B3-U0-G3 | B2-U0-G4 | B4-U0-G3 |
| CAL-S-32L-1-40K8               | B2-U0-G2 | B2-U0-G2 | B2-U0-G3 | B4-U0-G3 |
| CAL-S-32L-1-50K7               | B2-U0-G2 | B3-U0-G3 | B2-U0-G4 | B4-U0-G3 |
| CAL-S-32L-1-50K8               | B2-U0-G2 | B2-U0-G2 | B2-U0-G3 | B4-U0-G3 |

**PRODUCT SPECIFICATIONS**

**CAL - S ARM OPTIONS**



**ARCHITECTURAL ARM 1**



**ARCHITECTURAL ARM 2**



**ARCHITECTURAL ARM 3**



**ARCHITECTURAL ARM 4**



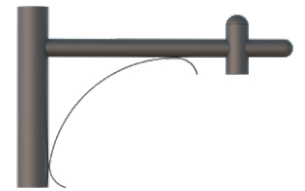
**ARCHITECTURAL ARM 5**



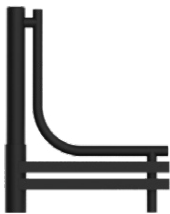
**ARCHITECTURAL ARM 6**



**ARCHITECTURAL ARM 7**



**ARCHITECTURAL ARM 8**



**ARCHITECTURAL ARM 10**



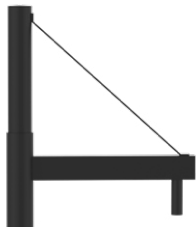
**ARCHITECTURAL ARM 14**



**ARCHITECTURAL ARM 15**



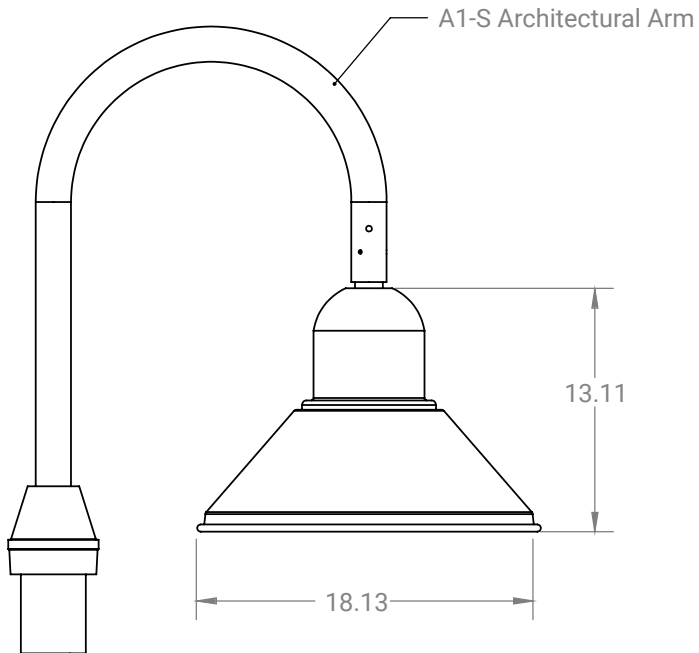
**ARCHITECTURAL ARM 17**



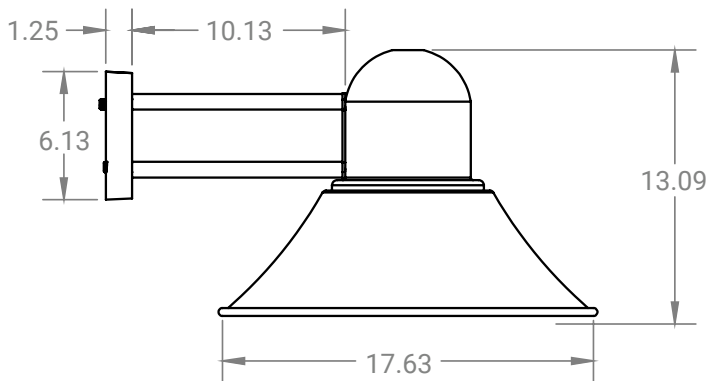
**ARCHITECTURAL ARM 18**

## PRODUCT SPECIFICATIONS

### CAL-S ARM MOUNT



### CAL-S WALL MOUNT



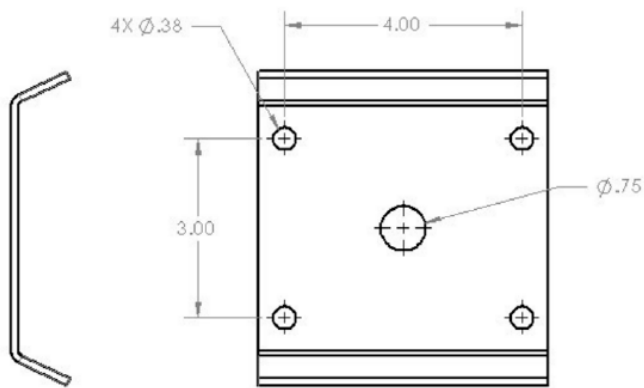
### CAL-S SENSOR LOCATION



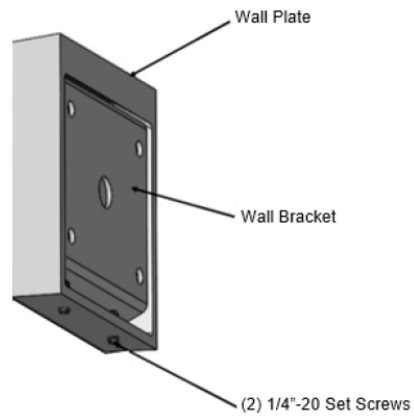
## PRODUCT SPECIFICATIONS

### MOUNTING INSTRUCTION

#### WALL MOUNTING BRACKET



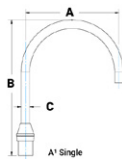
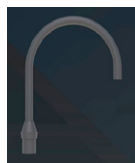
**WALL MOUNTING BRACKET**



- Secure the Wall Mounting Bracket to the wall.
- Connect input wires per the National Electrical/ Local Codes.
- Tilt up the Luminaire then hang it on the Wall Mounting Bracket
- Tighten the (2) 1/4" - 20 Set Screws to secure the Luminaire.

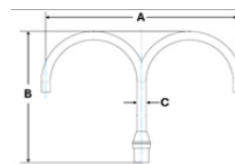
# PRODUCT SPECIFICATIONS

## CAL - S ARM OPTIONS



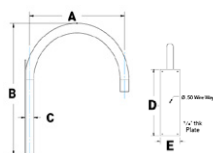
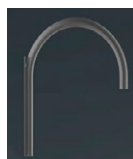
**SINGLE ARMS**

| MODEL         | A     | B   | C      | EPA  | WEIGHT (lbs) |
|---------------|-------|-----|--------|------|--------------|
| A1-S-SGL      | 17"   | 20" | 2-3/8" | 0.31 | 6.12         |
| A2-S-SGL      | 17"   | 29" | 2-3/8" | 0.47 | 12.24        |
| A3-S-SGL      | 17"   | 29" | 2-3/8" | 0.51 | 19.40        |
| A4-S-SGL      | 17"   | 20" | 2-3/8" | 0.40 | 7.52         |
| A5-S-SGL      | 17"   | 20" | 2-3/8" | 0.40 | 7.52         |
| A6-S-SGL      | 17"   | 20" | 2-3/8" | 0.40 | 7.52         |
| A7-S-SGL      | 17"   | 20" | 2-3/8" | 0.40 | 7.52         |
| A8-S-SGL      | 20"   | 18" | 2-3/8" | 0.40 | 9.37         |
| A10-S-SGL     | 21.5" | 30" | 2-3/8" | 0.40 | 29.25        |
| A14-S-SGL-3.5 | 17"   | 15" | -      | 0.39 | 6.60         |
| A14-S-SGL-4   | 17"   | 15" | -      | 0.39 | 6.60         |
| A14-S-SGL-4.5 | 17"   | 15" | -      | 0.39 | 6.60         |
| A14-S-SGL-5   | 17"   | 15" | -      | 0.39 | 6.60         |
| A15-S-SGL-3.5 | 48"   | 28" | -      | 0.68 | 12.48        |
| A15-S-SGL-4   | 48"   | 28" | -      | 0.68 | 12.48        |
| A15-S-SGL-4.5 | 48"   | 28" | -      | 0.68 | 12.48        |
| A15-S-SGL-5   | 48"   | 28" | -      | 0.68 | 12.48        |
| A17-S-SGL     | 17"   | 20" | -      | 0.60 | 11.34        |
| A18-S-SGL     | 21.5" | 30" | -      | 0.72 | 12.21        |



**DOUBLE ARMS**

| MODEL          | A   | B   | C      | EPA  | WEIGHT (lbs) |
|----------------|-----|-----|--------|------|--------------|
| A1-S-D180      | 34" | 20" | 2-3/8" | 0.62 | 9.67         |
| A2-S-D180      | 34" | 29" | 2-3/8" | 0.81 | 24.48        |
| A3-S-D180      | 34" | 29" | 2-3/8" | 0.86 | 28.57        |
| A4-S-D180      | 34" | 30" | 2-3/8" | 0.58 | 13.77        |
| A5-S-D180      | 34" | 20" | 2-3/8" | 0.86 | 28.57        |
| A6-S-D180      | 34" | 20" | 2-3/8" | 0.86 | 28.57        |
| A7-S-D180      | 34" | 20" | 2-3/8" | 0.86 | 28.57        |
| A8-S-D180      | 40" | 18" | 2-3/8" | 0.86 | 18.75        |
| A10-S-D180     | 43" | 30" | 2-3/8" | 0.86 | 49.88        |
| A14-S-D180-3.5 | 34" | 20" | -      | 0.59 | 13.16        |
| A14-S-D180-4   | 34" | 20" | -      | 0.59 | 13.16        |
| A14-S-D180-4.5 | 34" | 20" | -      | 0.59 | 13.16        |
| A14-S-D180-5   | 34" | 20" | -      | 0.59 | 13.16        |
| A15-S-D180-3.5 | 96" | 28" | -      | 1.13 | 20.48        |
| A15-S-D180-4   | 96" | 28" | -      | 1.13 | 20.48        |
| A15-S-D180-4.5 | 96" | 28" | -      | 1.13 | 20.48        |
| A15-S-D180-5   | 96" | 28" | -      | 1.13 | 20.48        |
| A17-S-SGL      | 34" | 20" | -      | 0.93 | 18.31        |
| A18-S-SGL      | 43" | 30" | -      | 1.03 | 16.29        |



**WALL ARMS**

| MODEL    | A     | B   | C      | D   | E  | EPA  | WEIGHT (lbs) |
|----------|-------|-----|--------|-----|----|------|--------------|
| A1-S-WM  | 17"   | 20" | 2-3/8" | 24" | 7" | 0.29 | 7.31         |
| A2-S-WM  | 17"   | 29" | 2-3/8" | 22" | -  | 0.44 | 9.07         |
| A3-S-WM  | 17"   | 29" | 2-3/8" | -   | -  | 0.45 | 13.94        |
| A4-S-WM  | 17"   | 25" | 2-3/8" | 20" | 7" | 0.31 | 7.67         |
| A5-S-WM  | 17"   | 20" | 2-3/8" | 24" | 7" | 0.32 | 8.23         |
| A6-S-WM  | 17"   | 20" | 2-3/8" | 24" | 7" | 0.32 | 6.66         |
| A7-S-WM  | 17"   | 20" | 2-3/8" | 24" | 7" | 0.32 | 6.38         |
| A8-S-WM  | 20"   | 18" | 2-3/8" | -   | -  | 0.32 | 7.68         |
| A10-S-WM | 21.5" | 30" | -      | -   | -  | 0.32 | 27.95        |
| A14-S-WM | 17"   | 15" | -      | -   | -  | 0.22 | 5.67         |
| A15-S-WM | 48"   | 28" | -      | -   | -  | 0.68 | 12.48        |
| A17-S-WM | 17"   | 20" | -      | -   | -  | 0.43 | 10.58        |
| A18-S-WM | 21.5" | 30" | -      | -   | -  | 0.34 | 9.12         |

# PRODUCT SPECIFICATIONS

## CAL - S FIXTURE/ARM COMBINATIONS

### A1-S

| FIXTURE/ARM CONFIGURATIONS |
|----------------------------|
| CAL-S-TP1-S1-A1-S-SGL      |
| CAL-S-TP1-S4-A1-S-SGL      |
| CAL-S-TP1-S6-A1-S-SGL      |
| CAL-S-TP1-S7-A1-S-SGL      |
| CAL-S-TP1-S8-A1-S-SGL      |
| CAL-S-TP2-S1-A1-S-SGL      |
| CAL-S-TP2-S4-A1-S-SGL      |
| CAL-S-TP2-S6-A1-S-SGL      |
| CAL-S-TP2-S7-A1-S-SGL      |
| CAL-S-TP2-S8-A1-S-SGL      |
| CAL-S-TP3-S1-A1-S-SGL      |
| CAL-S-TP3-S4-A1-S-SGL      |
| CAL-S-TP3-S6-A1-S-SGL      |
| CAL-S-TP3-S7-A1-S-SGL      |
| CAL-S-TP3-S8-A1-S-SGL      |
| CAL-S-TP1-S1-A1-S-D180     |
| CAL-S-TP1-S4-A1-S-D180     |
| CAL-S-TP1-S6-A1-S-D180     |
| CAL-S-TP1-S7-A1-S-D180     |
| CAL-S-TP1-S8-A1-S-D180     |
| CAL-S-TP2-S1-A1-S-D180     |
| CAL-S-TP2-S4-A1-S-D180     |
| CAL-S-TP2-S6-A1-S-D180     |
| CAL-S-TP2-S7-A1-S-D180     |
| CAL-S-TP2-S8-A1-S-D180     |
| CAL-S-TP3-S1-A1-S-D180     |
| CAL-S-TP3-S4-A1-S-D180     |
| CAL-S-TP3-S6-A1-S-D180     |
| CAL-S-TP3-S7-A1-S-D180     |
| CAL-S-TP3-S8-A1-S-D180     |
| CAL-S-TP1-S1-A1-S-WM       |
| CAL-S-TP1-S4-A1-S-WM       |
| CAL-S-TP1-S6-A1-S-WM       |
| CAL-S-TP1-S7-A1-S-WM       |
| CAL-S-TP1-S8-A1-S-WM       |
| CAL-S-TP2-S1-A1-S-WM       |
| CAL-S-TP2-S4-A1-S-WM       |
| CAL-S-TP2-S6-A1-S-WM       |
| CAL-S-TP2-S7-A1-S-WM       |
| CAL-S-TP2-S8-A1-S-WM       |
| CAL-S-TP3-S1-A1-S-WM       |
| CAL-S-TP3-S4-A1-S-WM       |
| CAL-S-TP3-S6-A1-S-WM       |
| CAL-S-TP3-S7-A1-S-WM       |
| CAL-S-TP3-S8-A1-S-WM       |

### A2-S

| FIXTURE/ARM CONFIGURATIONS |
|----------------------------|
| CAL-S-TP1-S1-A2-S-SGL      |
| CAL-S-TP1-S4-A2-S-SGL      |
| CAL-S-TP1-S6-A2-S-SGL      |
| CAL-S-TP1-S7-A2-S-SGL      |
| CAL-S-TP1-S8-A2-S-SGL      |
| CAL-S-TP2-S1-A2-S-SGL      |
| CAL-S-TP2-S4-A2-S-SGL      |
| CAL-S-TP2-S6-A2-S-SGL      |
| CAL-S-TP2-S7-A2-S-SGL      |
| CAL-S-TP2-S8-A2-S-SGL      |
| CAL-S-TP3-S1-A2-S-SGL      |
| CAL-S-TP3-S4-A2-S-SGL      |
| CAL-S-TP3-S6-A2-S-SGL      |
| CAL-S-TP3-S7-A2-S-SGL      |
| CAL-S-TP3-S8-A2-S-SGL      |
| CAL-S-TP1-S1-A2-S-D180     |
| CAL-S-TP1-S4-A2-S-D180     |
| CAL-S-TP1-S6-A2-S-D180     |
| CAL-S-TP1-S7-A2-S-D180     |
| CAL-S-TP1-S8-A2-S-D180     |
| CAL-S-TP2-S1-A2-S-D180     |
| CAL-S-TP2-S4-A2-S-D180     |
| CAL-S-TP2-S6-A2-S-D180     |
| CAL-S-TP2-S7-A2-S-D180     |
| CAL-S-TP2-S8-A2-S-D180     |
| CAL-S-TP3-S1-A2-S-D180     |
| CAL-S-TP3-S4-A2-S-D180     |
| CAL-S-TP3-S6-A2-S-D180     |
| CAL-S-TP3-S7-A2-S-D180     |
| CAL-S-TP3-S8-A2-S-D180     |
| CAL-S-TP1-S1-A2-S-WM       |
| CAL-S-TP1-S4-A2-S-WM       |
| CAL-S-TP1-S6-A2-S-WM       |
| CAL-S-TP1-S7-A2-S-WM       |
| CAL-S-TP1-S8-A2-S-WM       |
| CAL-S-TP2-S1-A2-S-WM       |
| CAL-S-TP2-S4-A2-S-WM       |
| CAL-S-TP2-S6-A2-S-WM       |
| CAL-S-TP2-S7-A2-S-WM       |
| CAL-S-TP2-S8-A2-S-WM       |
| CAL-S-TP3-S1-A2-S-WM       |
| CAL-S-TP3-S4-A2-S-WM       |
| CAL-S-TP3-S6-A2-S-WM       |
| CAL-S-TP3-S7-A2-S-WM       |
| CAL-S-TP3-S8-A2-S-WM       |

### A3-S

| FIXTURE/ARM CONFIGURATIONS |
|----------------------------|
| CAL-S-TP1-S1-A3-S-SGL      |
| CAL-S-TP1-S4-A3-S-SGL      |
| CAL-S-TP1-S6-A3-S-SGL      |
| CAL-S-TP1-S7-A3-S-SGL      |
| CAL-S-TP1-S8-A3-S-SGL      |
| CAL-S-TP2-S1-A3-S-SGL      |
| CAL-S-TP2-S4-A3-S-SGL      |
| CAL-S-TP2-S6-A3-S-SGL      |
| CAL-S-TP2-S7-A3-S-SGL      |
| CAL-S-TP2-S8-A3-S-SGL      |
| CAL-S-TP3-S1-A3-S-SGL      |
| CAL-S-TP3-S4-A3-S-SGL      |
| CAL-S-TP3-S6-A3-S-SGL      |
| CAL-S-TP3-S7-A3-S-SGL      |
| CAL-S-TP3-S8-A3-S-SGL      |
| CAL-S-TP1-S1-A3-S-D180     |
| CAL-S-TP1-S4-A3-S-D180     |
| CAL-S-TP1-S6-A3-S-D180     |
| CAL-S-TP1-S7-A3-S-D180     |
| CAL-S-TP1-S8-A3-S-D180     |
| CAL-S-TP2-S1-A3-S-D180     |
| CAL-S-TP2-S4-A3-S-D180     |
| CAL-S-TP2-S6-A3-S-D180     |
| CAL-S-TP2-S7-A3-S-D180     |
| CAL-S-TP2-S8-A3-S-D180     |
| CAL-S-TP3-S1-A3-S-D180     |
| CAL-S-TP3-S4-A3-S-D180     |
| CAL-S-TP3-S6-A3-S-D180     |
| CAL-S-TP3-S7-A3-S-D180     |
| CAL-S-TP3-S8-A3-S-D180     |
| CAL-S-TP1-S1-A3-S-WM       |
| CAL-S-TP1-S4-A3-S-WM       |
| CAL-S-TP1-S6-A3-S-WM       |
| CAL-S-TP1-S7-A3-S-WM       |
| CAL-S-TP1-S8-A3-S-WM       |
| CAL-S-TP2-S1-A3-S-WM       |
| CAL-S-TP2-S4-A3-S-WM       |
| CAL-S-TP2-S6-A3-S-WM       |
| CAL-S-TP2-S7-A3-S-WM       |
| CAL-S-TP2-S8-A3-S-WM       |
| CAL-S-TP3-S1-A3-S-WM       |
| CAL-S-TP3-S4-A3-S-WM       |
| CAL-S-TP3-S6-A3-S-WM       |
| CAL-S-TP3-S7-A3-S-WM       |
| CAL-S-TP3-S8-A3-S-WM       |

### A4-S

| FIXTURE/ARM CONFIGURATIONS |
|----------------------------|
| CAL-S-TP1-S1-A4-S-SGL      |
| CAL-S-TP1-S4-A4-S-SGL      |
| CAL-S-TP1-S6-A4-S-SGL      |
| CAL-S-TP1-S7-A4-S-SGL      |
| CAL-S-TP1-S8-A4-S-SGL      |
| CAL-S-TP2-S1-A4-S-SGL      |
| CAL-S-TP2-S4-A4-S-SGL      |
| CAL-S-TP2-S6-A4-S-SGL      |
| CAL-S-TP2-S7-A4-S-SGL      |
| CAL-S-TP2-S8-A4-S-SGL      |
| CAL-S-TP3-S1-A4-S-SGL      |
| CAL-S-TP3-S4-A4-S-SGL      |
| CAL-S-TP3-S6-A4-S-SGL      |
| CAL-S-TP3-S7-A4-S-SGL      |
| CAL-S-TP3-S8-A4-S-SGL      |
| CAL-S-TP1-S1-A4-S-D180     |
| CAL-S-TP1-S4-A4-S-D180     |
| CAL-S-TP1-S6-A4-S-D180     |
| CAL-S-TP1-S7-A4-S-D180     |
| CAL-S-TP1-S8-A4-S-D180     |
| CAL-S-TP2-S1-A4-S-D180     |
| CAL-S-TP2-S4-A4-S-D180     |
| CAL-S-TP2-S6-A4-S-D180     |
| CAL-S-TP2-S7-A4-S-D180     |
| CAL-S-TP2-S8-A4-S-D180     |
| CAL-S-TP3-S1-A4-S-D180     |
| CAL-S-TP3-S4-A4-S-D180     |
| CAL-S-TP3-S6-A4-S-D180     |
| CAL-S-TP3-S7-A4-S-D180     |
| CAL-S-TP3-S8-A4-S-D180     |
| CAL-S-TP1-S1-A4-S-WM       |
| CAL-S-TP1-S4-A4-S-WM       |
| CAL-S-TP1-S6-A4-S-WM       |
| CAL-S-TP1-S7-A4-S-WM       |
| CAL-S-TP1-S8-A4-S-WM       |
| CAL-S-TP2-S1-A4-S-WM       |
| CAL-S-TP2-S4-A4-S-WM       |
| CAL-S-TP2-S6-A4-S-WM       |
| CAL-S-TP2-S7-A4-S-WM       |
| CAL-S-TP2-S8-A4-S-WM       |
| CAL-S-TP3-S1-A4-S-WM       |
| CAL-S-TP3-S4-A4-S-WM       |
| CAL-S-TP3-S6-A4-S-WM       |
| CAL-S-TP3-S7-A4-S-WM       |
| CAL-S-TP3-S8-A4-S-WM       |

### A5-S

| FIXTURE/ARM CONFIGURATIONS |
|----------------------------|
| CAL-S-TP1-S1-A5-S-SGL      |
| CAL-S-TP1-S4-A5-S-SGL      |
| CAL-S-TP1-S6-A5-S-SGL      |
| CAL-S-TP1-S7-A5-S-SGL      |
| CAL-S-TP1-S8-A5-S-SGL      |
| CAL-S-TP2-S1-A5-S-SGL      |
| CAL-S-TP2-S4-A5-S-SGL      |
| CAL-S-TP2-S6-A5-S-SGL      |
| CAL-S-TP2-S7-A5-S-SGL      |
| CAL-S-TP2-S8-A5-S-SGL      |
| CAL-S-TP3-S1-A5-S-SGL      |
| CAL-S-TP3-S4-A5-S-SGL      |
| CAL-S-TP3-S6-A5-S-SGL      |
| CAL-S-TP3-S7-A5-S-SGL      |
| CAL-S-TP3-S8-A5-S-SGL      |
| CAL-S-TP1-S1-A5-S-D180     |
| CAL-S-TP1-S4-A5-S-D180     |
| CAL-S-TP1-S6-A5-S-D180     |
| CAL-S-TP1-S7-A5-S-D180     |
| CAL-S-TP1-S8-A5-S-D180     |
| CAL-S-TP2-S1-A5-S-D180     |
| CAL-S-TP2-S4-A5-S-D180     |
| CAL-S-TP2-S6-A5-S-D180     |
| CAL-S-TP2-S7-A5-S-D180     |
| CAL-S-TP2-S8-A5-S-D180     |
| CAL-S-TP3-S1-A5-S-D180     |
| CAL-S-TP3-S4-A5-S-D180     |
| CAL-S-TP3-S6-A5-S-D180     |
| CAL-S-TP3-S7-A5-S-D180     |
| CAL-S-TP3-S8-A5-S-D180     |
| CAL-S-TP1-S1-A5-S-WM       |
| CAL-S-TP1-S4-A5-S-WM       |
| CAL-S-TP1-S6-A5-S-WM       |
| CAL-S-TP1-S7-A5-S-WM       |
| CAL-S-TP1-S8-A5-S-WM       |
| CAL-S-TP2-S1-A5-S-WM       |
| CAL-S-TP2-S4-A5-S-WM       |
| CAL-S-TP2-S6-A5-S-WM       |
| CAL-S-TP2-S7-A5-S-WM       |
| CAL-S-TP2-S8-A5-S-WM       |
| CAL-S-TP3-S1-A5-S-WM       |
| CAL-S-TP3-S4-A5-S-WM       |
| CAL-S-TP3-S6-A5-S-WM       |
| CAL-S-TP3-S7-A5-S-WM       |
| CAL-S-TP3-S8-A5-S-WM       |

# PRODUCT SPECIFICATIONS

## CAL - S FIXTURE/ARM COMBINATIONS

### A6-S

| FIXTURE/ARM CONFIGURATIONS |
|----------------------------|
| CAL-S-TP1-S1-A6-S-SGL      |
| CAL-S-TP1-S4-A6-S-SGL      |
| CAL-S-TP1-S6-A6-S-SGL      |
| CAL-S-TP1-S7-A6-S-SGL      |
| CAL-S-TP1-S8-A6-S-SGL      |
| CAL-S-TP2-S1-A6-S-SGL      |
| CAL-S-TP2-S4-A6-S-SGL      |
| CAL-S-TP2-S6-A6-S-SGL      |
| CAL-S-TP2-S7-A6-S-SGL      |
| CAL-S-TP2-S8-A6-S-SGL      |
| CAL-S-TP3-S1-A6-S-SGL      |
| CAL-S-TP3-S4-A6-S-SGL      |
| CAL-S-TP3-S6-A6-S-SGL      |
| CAL-S-TP3-S7-A6-S-SGL      |
| CAL-S-TP3-S8-A6-S-SGL      |
| CAL-S-TP1-S1-A6-S-D180     |
| CAL-S-TP1-S4-A6-S-D180     |
| CAL-S-TP1-S6-A6-S-D180     |
| CAL-S-TP1-S7-A6-S-D180     |
| CAL-S-TP1-S8-A6-S-D180     |
| CAL-S-TP2-S1-A6-S-D180     |
| CAL-S-TP2-S4-A6-S-D180     |
| CAL-S-TP2-S6-A6-S-D180     |
| CAL-S-TP2-S7-A6-S-D180     |
| CAL-S-TP2-S8-A6-S-D180     |
| CAL-S-TP3-S1-A6-S-D180     |
| CAL-S-TP3-S4-A6-S-D180     |
| CAL-S-TP3-S6-A6-S-D180     |
| CAL-S-TP3-S7-A6-S-D180     |
| CAL-S-TP3-S8-A6-S-D180     |
| CAL-S-TP1-S1-A6-S-WM       |
| CAL-S-TP1-S4-A6-S-WM       |
| CAL-S-TP1-S6-A6-S-WM       |
| CAL-S-TP1-S7-A6-S-WM       |
| CAL-S-TP1-S8-A6-S-WM       |
| CAL-S-TP2-S1-A6-S-WM       |
| CAL-S-TP2-S4-A6-S-WM       |
| CAL-S-TP2-S6-A6-S-WM       |
| CAL-S-TP2-S7-A6-S-WM       |
| CAL-S-TP2-S8-A6-S-WM       |
| CAL-S-TP3-S1-A6-S-WM       |
| CAL-S-TP3-S4-A6-S-WM       |
| CAL-S-TP3-S6-A6-S-WM       |
| CAL-S-TP3-S7-A6-S-WM       |
| CAL-S-TP3-S8-A6-S-WM       |

### A7-S

| FIXTURE/ARM CONFIGURATIONS |
|----------------------------|
| CAL-S-TP1-S1-A7-S-SGL      |
| CAL-S-TP1-S4-A7-S-SGL      |
| CAL-S-TP1-S6-A7-S-SGL      |
| CAL-S-TP1-S7-A7-S-SGL      |
| CAL-S-TP1-S8-A7-S-SGL      |
| CAL-S-TP2-S1-A7-S-SGL      |
| CAL-S-TP2-S4-A7-S-SGL      |
| CAL-S-TP2-S6-A7-S-SGL      |
| CAL-S-TP2-S7-A7-S-SGL      |
| CAL-S-TP2-S8-A7-S-SGL      |
| CAL-S-TP3-S1-A7-S-SGL      |
| CAL-S-TP3-S4-A7-S-SGL      |
| CAL-S-TP3-S6-A7-S-SGL      |
| CAL-S-TP3-S7-A7-S-SGL      |
| CAL-S-TP3-S8-A7-S-SGL      |
| CAL-S-TP1-S1-A7-S-D180     |
| CAL-S-TP1-S4-A7-S-D180     |
| CAL-S-TP1-S6-A7-S-D180     |
| CAL-S-TP1-S7-A7-S-D180     |
| CAL-S-TP1-S8-A7-S-D180     |
| CAL-S-TP2-S1-A7-S-D180     |
| CAL-S-TP2-S4-A7-S-D180     |
| CAL-S-TP2-S6-A7-S-D180     |
| CAL-S-TP2-S7-A7-S-D180     |
| CAL-S-TP2-S8-A7-S-D180     |
| CAL-S-TP3-S1-A7-S-D180     |
| CAL-S-TP3-S4-A7-S-D180     |
| CAL-S-TP3-S6-A7-S-D180     |
| CAL-S-TP3-S7-A7-S-D180     |
| CAL-S-TP3-S8-A7-S-D180     |
| CAL-S-TP1-S1-A7-S-WM       |
| CAL-S-TP1-S4-A7-S-WM       |
| CAL-S-TP1-S6-A7-S-WM       |
| CAL-S-TP1-S7-A7-S-WM       |
| CAL-S-TP1-S8-A7-S-WM       |
| CAL-S-TP2-S1-A7-S-WM       |
| CAL-S-TP2-S4-A7-S-WM       |
| CAL-S-TP2-S6-A7-S-WM       |
| CAL-S-TP2-S7-A7-S-WM       |
| CAL-S-TP2-S8-A7-S-WM       |
| CAL-S-TP3-S1-A7-S-WM       |
| CAL-S-TP3-S4-A7-S-WM       |
| CAL-S-TP3-S6-A7-S-WM       |
| CAL-S-TP3-S7-A7-S-WM       |
| CAL-S-TP3-S8-A7-S-WM       |

### A8-S

| FIXTURE/ARM CONFIGURATIONS |
|----------------------------|
| CAL-S-TP1-S1-A8-S-SGL      |
| CAL-S-TP1-S4-A8-S-SGL      |
| CAL-S-TP1-S6-A8-S-SGL      |
| CAL-S-TP1-S7-A8-S-SGL      |
| CAL-S-TP1-S8-A8-S-SGL      |
| CAL-S-TP2-S1-A8-S-SGL      |
| CAL-S-TP2-S4-A8-S-SGL      |
| CAL-S-TP2-S6-A8-S-SGL      |
| CAL-S-TP2-S7-A8-S-SGL      |
| CAL-S-TP2-S8-A8-S-SGL      |
| CAL-S-TP3-S1-A8-S-SGL      |
| CAL-S-TP3-S4-A8-S-SGL      |
| CAL-S-TP3-S6-A8-S-SGL      |
| CAL-S-TP3-S7-A8-S-SGL      |
| CAL-S-TP3-S8-A8-S-SGL      |
| CAL-S-TP1-S1-A8-S-D180     |
| CAL-S-TP1-S4-A8-S-D180     |
| CAL-S-TP1-S6-A8-S-D180     |
| CAL-S-TP1-S7-A8-S-D180     |
| CAL-S-TP1-S8-A8-S-D180     |
| CAL-S-TP2-S1-A8-S-D180     |
| CAL-S-TP2-S4-A8-S-D180     |
| CAL-S-TP2-S6-A8-S-D180     |
| CAL-S-TP2-S7-A8-S-D180     |
| CAL-S-TP2-S8-A8-S-D180     |
| CAL-S-TP3-S1-A8-S-D180     |
| CAL-S-TP3-S4-A8-S-D180     |
| CAL-S-TP3-S6-A8-S-D180     |
| CAL-S-TP3-S7-A8-S-D180     |
| CAL-S-TP3-S8-A8-S-D180     |
| CAL-S-TP1-S1-A8-S-WM       |
| CAL-S-TP1-S4-A8-S-WM       |
| CAL-S-TP1-S6-A8-S-WM       |
| CAL-S-TP1-S7-A8-S-WM       |
| CAL-S-TP1-S8-A8-S-WM       |
| CAL-S-TP2-S1-A8-S-WM       |
| CAL-S-TP2-S4-A8-S-WM       |
| CAL-S-TP2-S6-A8-S-WM       |
| CAL-S-TP2-S7-A8-S-WM       |
| CAL-S-TP2-S8-A8-S-WM       |
| CAL-S-TP3-S1-A8-S-WM       |
| CAL-S-TP3-S4-A8-S-WM       |
| CAL-S-TP3-S6-A8-S-WM       |
| CAL-S-TP3-S7-A8-S-WM       |
| CAL-S-TP3-S8-A8-S-WM       |

### A10-S

| FIXTURE/ARM CONFIGURATIONS |
|----------------------------|
| CAL-S-TP1-S1-A10-S-SGL     |
| CAL-S-TP1-S4-A10-S-SGL     |
| CAL-S-TP1-S6-A10-S-SGL     |
| CAL-S-TP1-S7-A10-S-SGL     |
| CAL-S-TP1-S8-A10-S-SGL     |
| CAL-S-TP2-S1-A10-S-SGL     |
| CAL-S-TP2-S4-A10-S-SGL     |
| CAL-S-TP2-S6-A10-S-SGL     |
| CAL-S-TP2-S7-A10-S-SGL     |
| CAL-S-TP2-S8-A10-S-SGL     |
| CAL-S-TP3-S1-A10-S-SGL     |
| CAL-S-TP3-S4-A10-S-SGL     |
| CAL-S-TP3-S6-A10-S-SGL     |
| CAL-S-TP3-S7-A10-S-SGL     |
| CAL-S-TP3-S8-A10-S-SGL     |
| CAL-S-TP1-S1-A10-S-D180    |
| CAL-S-TP1-S4-A10-S-D180    |
| CAL-S-TP1-S6-A10-S-D180    |
| CAL-S-TP1-S7-A10-S-D180    |
| CAL-S-TP1-S8-A10-S-D180    |
| CAL-S-TP2-S1-A10-S-D180    |
| CAL-S-TP2-S4-A10-S-D180    |
| CAL-S-TP2-S6-A10-S-D180    |
| CAL-S-TP2-S7-A10-S-D180    |
| CAL-S-TP2-S8-A10-S-D180    |
| CAL-S-TP3-S1-A10-S-D180    |
| CAL-S-TP3-S4-A10-S-D180    |
| CAL-S-TP3-S6-A10-S-D180    |
| CAL-S-TP3-S7-A10-S-D180    |
| CAL-S-TP3-S8-A10-S-D180    |
| CAL-S-TP1-S1-A10-S-WM      |
| CAL-S-TP1-S4-A10-S-WM      |
| CAL-S-TP1-S6-A10-S-WM      |
| CAL-S-TP1-S7-A10-S-WM      |
| CAL-S-TP1-S8-A10-S-WM      |
| CAL-S-TP2-S1-A10-S-WM      |
| CAL-S-TP2-S4-A10-S-WM      |
| CAL-S-TP2-S6-A10-S-WM      |
| CAL-S-TP2-S7-A10-S-WM      |
| CAL-S-TP2-S8-A10-S-WM      |
| CAL-S-TP3-S1-A10-S-WM      |
| CAL-S-TP3-S4-A10-S-WM      |
| CAL-S-TP3-S6-A10-S-WM      |
| CAL-S-TP3-S7-A10-S-WM      |
| CAL-S-TP3-S8-A10-S-WM      |

### A14-S

| FIXTURE/ARM CONFIGURATIONS |
|----------------------------|
| CAL-S-TP1-S1-A14-S-SGL     |
| CAL-S-TP1-S4-A14-S-SGL     |
| CAL-S-TP1-S6-A14-S-SGL     |
| CAL-S-TP1-S7-A14-S-SGL     |
| CAL-S-TP1-S8-A14-S-SGL     |
| CAL-S-TP2-S1-A14-S-SGL     |
| CAL-S-TP2-S4-A14-S-SGL     |
| CAL-S-TP2-S6-A14-S-SGL     |
| CAL-S-TP2-S7-A14-S-SGL     |
| CAL-S-TP2-S8-A14-S-SGL     |
| CAL-S-TP3-S1-A14-S-SGL     |
| CAL-S-TP3-S4-A14-S-SGL     |
| CAL-S-TP3-S6-A14-S-SGL     |
| CAL-S-TP3-S7-A14-S-SGL     |
| CAL-S-TP3-S8-A14-S-SGL     |
| CAL-S-TP1-S1-A14-S-D180    |
| CAL-S-TP1-S4-A14-S-D180    |
| CAL-S-TP1-S6-A14-S-D180    |
| CAL-S-TP1-S7-A14-S-D180    |
| CAL-S-TP1-S8-A14-S-D180    |
| CAL-S-TP2-S1-A14-S-D180    |
| CAL-S-TP2-S4-A14-S-D180    |
| CAL-S-TP2-S6-A14-S-D180    |
| CAL-S-TP2-S7-A14-S-D180    |
| CAL-S-TP2-S8-A14-S-D180    |
| CAL-S-TP3-S1-A14-S-D180    |
| CAL-S-TP3-S4-A14-S-D180    |
| CAL-S-TP3-S6-A14-S-D180    |
| CAL-S-TP3-S7-A14-S-D180    |
| CAL-S-TP3-S8-A14-S-D180    |
| CAL-S-TP1-S1-A14-S-WM      |
| CAL-S-TP1-S4-A14-S-WM      |
| CAL-S-TP1-S6-A14-S-WM      |
| CAL-S-TP1-S7-A14-S-WM      |
| CAL-S-TP1-S8-A14-S-WM      |
| CAL-S-TP2-S1-A14-S-WM      |
| CAL-S-TP2-S4-A14-S-WM      |
| CAL-S-TP2-S6-A14-S-WM      |
| CAL-S-TP2-S7-A14-S-WM      |
| CAL-S-TP2-S8-A14-S-WM      |
| CAL-S-TP3-S1-A14-S-WM      |
| CAL-S-TP3-S4-A14-S-WM      |
| CAL-S-TP3-S6-A14-S-WM      |
| CAL-S-TP3-S7-A14-S-WM      |
| CAL-S-TP3-S8-A14-S-WM      |

# PRODUCT SPECIFICATIONS

## CAL - S FIXTURE/ARM COMBINATIONS

| A15-S                      | A17-S                      | A18-S                      |
|----------------------------|----------------------------|----------------------------|
| FIXTURE/ARM CONFIGURATIONS | FIXTURE/ARM CONFIGURATIONS | FIXTURE/ARM CONFIGURATIONS |
| CAL-S-TP1-S1-A15-S-SGL     | CAL-S-TP1-S1-A17-S-SGL     | CAL-S-TP1-S1-A18-S-SGL     |
| CAL-S-TP1-S4-A15-S-SGL     | CAL-S-TP1-S4-A17-S-SGL     | CAL-S-TP1-S4-A18-S-SGL     |
| CAL-S-TP1-S6-A15-S-SGL     | CAL-S-TP1-S6-A17-S-SGL     | CAL-S-TP1-S6-A18-S-SGL     |
| CAL-S-TP1-S7-A15-S-SGL     | CAL-S-TP1-S7-A17-S-SGL     | CAL-S-TP1-S7-A18-S-SGL     |
| CAL-S-TP1-S8-A15-S-SGL     | CAL-S-TP1-S8-A17-S-SGL     | CAL-S-TP1-S8-A18-S-SGL     |
| CAL-S-TP2-S1-A15-S-SGL     | CAL-S-TP2-S1-A17-S-SGL     | CAL-S-TP2-S1-A18-S-SGL     |
| CAL-S-TP2-S4-A15-S-SGL     | CAL-S-TP2-S4-A17-S-SGL     | CAL-S-TP2-S4-A18-S-SGL     |
| CAL-S-TP2-S6-A15-S-SGL     | CAL-S-TP2-S6-A17-S-SGL     | CAL-S-TP2-S6-A18-S-SGL     |
| CAL-S-TP2-S7-A15-S-SGL     | CAL-S-TP2-S7-A17-S-SGL     | CAL-S-TP2-S7-A18-S-SGL     |
| CAL-S-TP2-S8-A15-S-SGL     | CAL-S-TP2-S8-A17-S-SGL     | CAL-S-TP2-S8-A18-S-SGL     |
| CAL-S-TP3-S1-A15-S-SGL     | CAL-S-TP3-S1-A17-S-SGL     | CAL-S-TP3-S1-A18-S-SGL     |
| CAL-S-TP3-S4-A15-S-SGL     | CAL-S-TP3-S4-A17-S-SGL     | CAL-S-TP3-S4-A18-S-SGL     |
| CAL-S-TP3-S6-A15-S-SGL     | CAL-S-TP3-S6-A17-S-SGL     | CAL-S-TP3-S6-A18-S-SGL     |
| CAL-S-TP3-S7-A15-S-SGL     | CAL-S-TP3-S7-A17-S-SGL     | CAL-S-TP3-S7-A18-S-SGL     |
| CAL-S-TP3-S8-A15-S-SGL     | CAL-S-TP3-S8-A17-S-SGL     | CAL-S-TP3-S8-A18-S-SGL     |
| CAL-S-TP1-S1-A15-S-D180    | CAL-S-TP1-S1-A17-S-D180    | CAL-S-TP1-S1-A18-S-D180    |
| CAL-S-TP1-S4-A15-S-D180    | CAL-S-TP1-S4-A17-S-D180    | CAL-S-TP1-S4-A18-S-D180    |
| CAL-S-TP1-S6-A15-S-D180    | CAL-S-TP1-S6-A17-S-D180    | CAL-S-TP1-S6-A18-S-D180    |
| CAL-S-TP1-S7-A15-S-D180    | CAL-S-TP1-S7-A17-S-D180    | CAL-S-TP1-S7-A18-S-D180    |
| CAL-S-TP1-S8-A15-S-D180    | CAL-S-TP1-S8-A17-S-D180    | CAL-S-TP1-S8-A18-S-D180    |
| CAL-S-TP2-S1-A15-S-D180    | CAL-S-TP2-S1-A17-S-D180    | CAL-S-TP2-S1-A18-S-D180    |
| CAL-S-TP2-S4-A15-S-D180    | CAL-S-TP2-S4-A17-S-D180    | CAL-S-TP2-S4-A18-S-D180    |
| CAL-S-TP2-S6-A15-S-D180    | CAL-S-TP2-S6-A17-S-D180    | CAL-S-TP2-S6-A18-S-D180    |
| CAL-S-TP2-S7-A15-S-D180    | CAL-S-TP2-S7-A17-S-D180    | CAL-S-TP2-S7-A18-S-D180    |
| CAL-S-TP2-S8-A15-S-D180    | CAL-S-TP2-S8-A17-S-D180    | CAL-S-TP2-S8-A18-S-D180    |
| CAL-S-TP3-S1-A15-S-D180    | CAL-S-TP3-S1-A17-S-D180    | CAL-S-TP3-S1-A18-S-D180    |
| CAL-S-TP3-S4-A15-S-D180    | CAL-S-TP3-S4-A17-S-D180    | CAL-S-TP3-S4-A18-S-D180    |
| CAL-S-TP3-S6-A15-S-D180    | CAL-S-TP3-S6-A17-S-D180    | CAL-S-TP3-S6-A18-S-D180    |
| CAL-S-TP3-S7-A15-S-D180    | CAL-S-TP3-S7-A17-S-D180    | CAL-S-TP3-S7-A18-S-D180    |
| CAL-S-TP3-S8-A15-S-D180    | CAL-S-TP3-S8-A17-S-D180    | CAL-S-TP3-S8-A18-S-D180    |
| CAL-S-TP1-S1-A15-S-WM      | CAL-S-TP1-S1-A17-S-WM      | CAL-S-TP1-S1-A18-S-WM      |
| CAL-S-TP1-S4-A15-S-WM      | CAL-S-TP1-S4-A17-S-WM      | CAL-S-TP1-S4-A18-S-WM      |
| CAL-S-TP1-S6-A15-S-WM      | CAL-S-TP1-S6-A17-S-WM      | CAL-S-TP1-S6-A18-S-WM      |
| CAL-S-TP1-S7-A15-S-WM      | CAL-S-TP1-S7-A17-S-WM      | CAL-S-TP1-S7-A18-S-WM      |
| CAL-S-TP1-S8-A15-S-WM      | CAL-S-TP1-S8-A17-S-WM      | CAL-S-TP1-S8-A18-S-WM      |
| CAL-S-TP2-S1-A15-S-WM      | CAL-S-TP2-S1-A17-S-WM      | CAL-S-TP2-S1-A18-S-WM      |
| CAL-S-TP2-S4-A15-S-WM      | CAL-S-TP2-S4-A17-S-WM      | CAL-S-TP2-S4-A18-S-WM      |
| CAL-S-TP2-S6-A15-S-WM      | CAL-S-TP2-S6-A17-S-WM      | CAL-S-TP2-S6-A18-S-WM      |
| CAL-S-TP2-S7-A15-S-WM      | CAL-S-TP2-S7-A17-S-WM      | CAL-S-TP2-S7-A18-S-WM      |
| CAL-S-TP2-S8-A15-S-WM      | CAL-S-TP2-S8-A17-S-WM      | CAL-S-TP2-S8-A18-S-WM      |
| CAL-S-TP3-S1-A15-S-WM      | CAL-S-TP3-S1-A17-S-WM      | CAL-S-TP3-S1-A18-S-WM      |
| CAL-S-TP3-S4-A15-S-WM      | CAL-S-TP3-S4-A17-S-WM      | CAL-S-TP3-S4-A18-S-WM      |
| CAL-S-TP3-S6-A15-S-WM      | CAL-S-TP3-S6-A17-S-WM      | CAL-S-TP3-S6-A18-S-WM      |
| CAL-S-TP3-S7-A15-S-WM      | CAL-S-TP3-S7-A17-S-WM      | CAL-S-TP3-S7-A18-S-WM      |
| CAL-S-TP3-S8-A15-S-WM      | CAL-S-TP3-S8-A17-S-WM      | CAL-S-TP3-S8-A18-S-WM      |

# PRODUCT SPECIFICATIONS

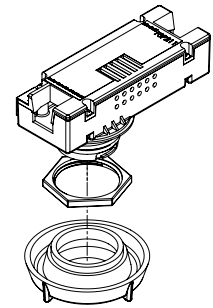
## CONTROL OPTIONS

- DIMMING CONTROL (FSP)—Passive infrared (PIR) sensor providing multi-level control based on motion/daylight contribution
- All control parameters adjustable via wireless configuration remote storing and transmitting sensor profiles.
- FSP-8 mounting heights 8 feet and below
- FSP-20 mounting heights 9-20 feet.
- FSP-40 mounting heights 21-40 feet.
- Includes 5 dimming event cycles, 0-10V dimming with motion sensing, re-programmable in the field.

## FSP-211 WITH MOTION SENSOR (FSP-XX)

- FSP-211(FSP-X)—Passive infrared (PIR) sensor providing multi-level control based on motion/daylight contribution.
- 120/277VAC, 230-240VAC
- All control parameters adjustable via wireless configuration remote storing and transmitting sensor profiles.
- FSP-8 mounting heights 8 feet and below
- FSP-20 mounting heights 9-20 feet.
- FSP-40 mounting heights 21-40 feet.
- Includes 5 dimming event cycles, 0-10V dimming with motion sensing, re-programmable in the field.
- Standard white finish.

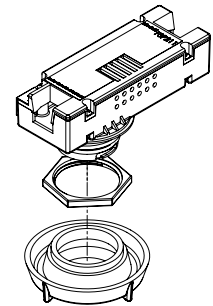
FSP-211



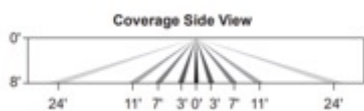
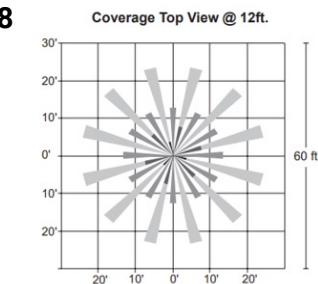
## FSP-221 WITH MOTION SENSOR (FSP-HV-XX)

- FSP-221 (FSP-HV-X)—Passive infrared (PIR) sensor providing multi-level control based on motion/daylight contribution.
- 100-347VAC 208/230/480VAC
- All control parameters adjustable via wireless configuration remote storing and transmitting sensor profiles.
- FSP-8 mounting heights 8 feet and below
- FSP-20 mounting heights 9-20 feet.
- FSP-40 mounting heights 21-40 feet.
- Includes 5 dimming event cycles, 0-10V dimming with motion sensing, re-programmable in the field.

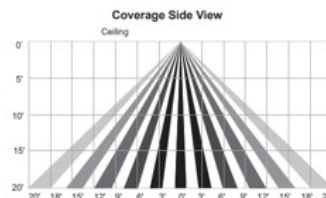
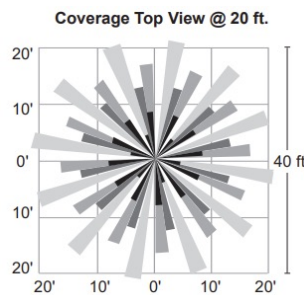
FSP-221



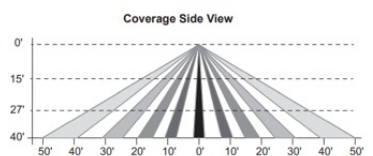
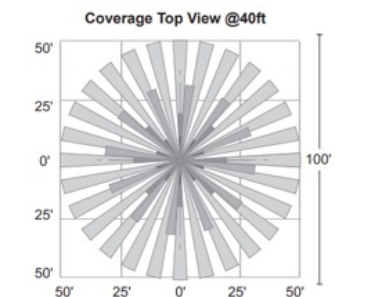
FSP-8



FSP-20



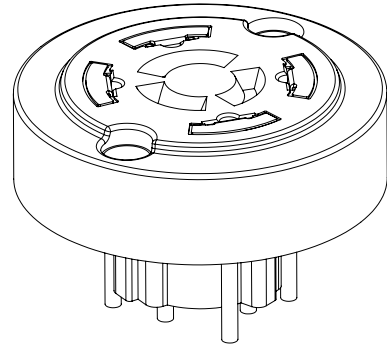
FSP-40



## PRODUCT SPECIFICATIONS

### NEMA 7-PIN RECEPTACLE (PE7)

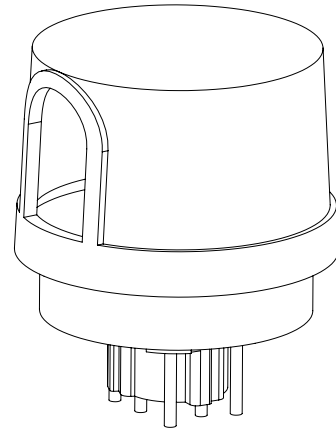
An ANSI C136.41-2013 receptacle provides electrical and mechanical interconnection between photo control cell and luminaire. Dimming receptacle available two or four dimming contacts supports 0-10 VDC dimming methods or Digital Addressable Lighting Interface (DALI), providing reliable power interconnect.



---

### PHOTOCELL + RECEPTACLE (PCR)

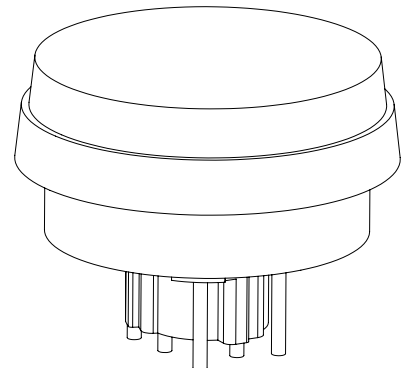
7-Pin Receptacle and Electronic Twist Lock  
Photocell for dusk to dawn operation.



---

### RECEPTACLE + SHORTING CAP (PER)

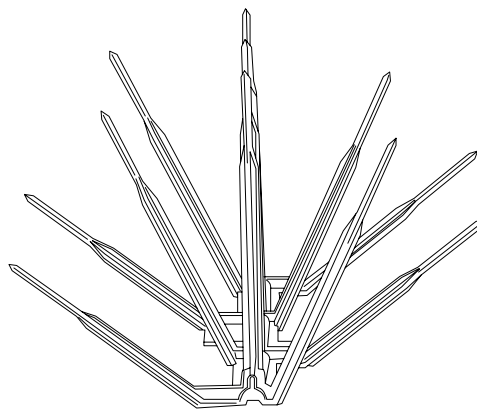
7-Pin Receptacle and Shorting Cap.



## PRODUCT SPECIFICATIONS

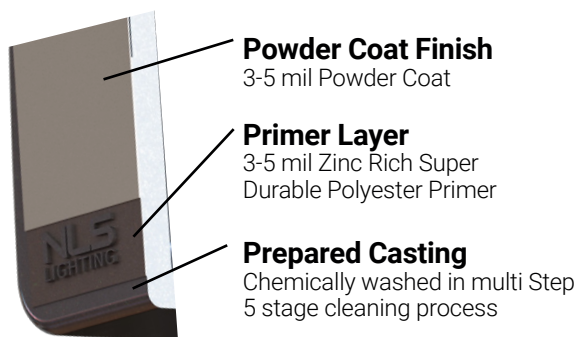
### BIRD SPIKES (BS)

Bird Spikes offers effective and humane deterrent for larger bird species and provides cost-effective long-term solution to nuisance bird infestations and protect your property.



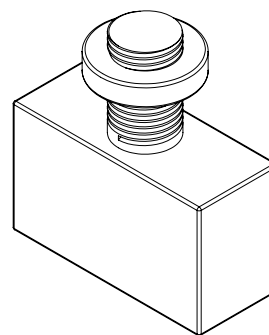
### MARINE GRADE FINISH (MGF)

The (MGF) is a multi step process. Chemically washed in a 5 stage cleaning system. Pre-baked. Powder coated 3-5 mils of Zinc Rich Super Durable Polyester Primer. Oven Baked. Finished Powder Coating of Super Durable Polyester Powder Coat 3-5 mil thickness.



### BUTTON PHOTOCELL (PC)

Photocell for dusk to dawn operation.  
Consult Factory.



### BLACK OPTIC FRAME

Optional Black Optic Frame  
(includes black hardware)  
Standard Optic Frame is white.

