

## CAL Compact Area Light Z10

PROJECT:

SCHEDULE:

DATE:

PREPARE BY:

NOTES:

### DESCRIPTION

The naturaLED® Compact Area Light features a durable die-cast aluminum housing with an advanced thermal design, making it an ideal lighting solution for parking lots, streets, walkways, and flood or wall lighting. It delivers uniform, consistent color with a versatile wattage range, capable of replacing up to 1500W HID fixtures. DLC Premium certified, IK10, and IP65 rated, it offers five mounting options: Pole Mount, Adjustable Pole, Slip Fitter, Yoke Mount, and Wall Mount. Additionally, the preinstalled Z10 Receptacle enables effortless plug-and-play control upgrades during installation or at a later time.

### APPLICATIONS

Parking Lot, Street, Site, Streetscape, Area Lighting, Flood Light, Wall Light

### FEATURES

- DLC Premium
- IP65 Rated
- UL/cUL Listed
- IK Rating: IK10
- Wattage & Color Selectable
- Z10 Receptacle Pre-installed
- Wattage: 70-150W, 200-340W
- Color Temp: CCT3 (30/40/50K)
- Voltage: 120-277V, 120-347V
- Surge Protection: 6KV
- Dimmable: 0-10V
- CRI: >70
- Operating Temperature: -40°F to 122°F
- Beam Angle: Type 3 (Optional for Type 4, Type 5 Lens)
- Power Cable Length: 6-ft
- Lens: UV Resistant Polycarbonate Lens
- Material: Die Cast Aluminum
- Color: Bronze
- Optional Accessories for Purchase: Mounts, Lens, Sensors, Photocell, Surge Protector
- Warranty: 5-Year Limited Warranty



**Rated Life Hours 50,000**  
**Warranty 5 Years**

### ACCESSORIES

	Mounting Arms		Wall Mount
	Shorting Cap		Z10 Receptacle & Controls
	Photocell		Glare Shield
	Surge Protection		Pole Mountings
	Lens- Type IV / V		Power Cables

### SAMPLE NUMBER

CAL150S/T3/C3/BZ-Z10

SERIES	WATTAGE	LENS	CRI/COLOR TEMP	COLOR	CONTROL READY
CAL Compact Area Light	150S 150 Selectable Wattage	T3 Type 3 Lens	C3 3CCT (3000/4000/5000K)	BZ Bronze	Z10 Z10 Receptacle



# COMPACT AREA LIGHT Z10

## WALL & AREA LUMINAIRES

### ORDERING

\*P= Premium DLC / \*S = Standard DLC

Ordering Code	Description	Watts (W)	Lumens (Lm)	CCT (K)	Equiv. Wattage (W)	Voltage	Size	IP65 Rated	DLC (S/P)
9530	CAL/150S/T3/C3/BZ-Z10	70	9,100	3CCT	400-575	120-277V	12.5" x 3.14"	•	P
		100	13,527	(30/40/50K)					
		150	19,842						
9531	CAL/300S/T3/C3/BZ-Z10	200	26,000	3CCT	1000-1500W	120-277V	12.4" x 22.72"	•	P
		240	32,491	(30/40/50K)					
		300	40,397						
9604	CAL/150S/T3/C3/BZ/347-Z10	70	9,100	3CCT	400-575	120-347V	12.5" x 13.14"	•	P
		100	13,527	(30/40/50K)					
		150	19,842						
9713	CAL/300S/T3/C3/BZ/347-Z10	200	26,000	3CCT	1000-1500W	120-347V	12.4" x 22.72"	•	P
		240	32,491	(30/40/50K)					
		300	40,397						

ACCESSORIES



8" Adjustable Pole Mount

**P10523 MT-AL/PM8/BZ**  
(8" Adjustable Pole Mount Bronze)



8" Pole Mount Arm

**P10365 MT-CAL/PM8/BZ**  
(8" Pole Mount Arm Bronze)



Slip Fitter

**P10366 MT-CAL/SF/BZ**  
(Slip Fitter Mount Bronze)



Wall Mount

**K473478 MT-CAL/WM/BZ**  
(CAL Wall Mount Kit Bronze  
P10473 MT-AL/WM/BZ +  
P10478 MT-AL/MH/BZ)



Yoke Mount

**P10367 MT-CAL/YK13/BZ**  
(13" Yoke Mount Bronze)



Glare Shield

**P10405 GSFB-CAL/BZ**  
(Requires 1pc for 100/150W  
2 pcs for 240/300W)



Photocell & Receptacle

**K141030 REC3PLK/PHO**  
(Twist Lock Photocell &  
Receptacle 120-277V 3 Prong)

**K141223 REC3PLK/PHO/480**  
(Twist Lock Photocell &  
Receptacle 480V 3 Prong)



Shorting Cap

**P10053 SEN-PHO-LK-MT-SRT**  
(Twist Lock Photocell Shorting Cap  
120-480V 3 Prong)



Motion/Photocell  
Sensor & Remote Control

**P10520 SEN-ANT-5-Z10-PC**  
(Z10 Twist Lock Photocell  
12-24Vdc White)

**P10521 SEN-ANT-5-Z10**  
(Z10 Twist-Lock Microwave Motion  
& Photocell Sensor, 0-10V,  
12-24Vdc White)

**P10522 SEN-ANT-6-Z10**  
(Z10 Twist-Lock PIR Motion &  
Photocell Sensor, 0-10V,  
12-24Vdc White)

**P10316 SEN-BRI-RC100**  
(Remote Programmer for  
P10521 and P10522)



Bluetooth

**P10488 CTL-MW-PSC-ZKV-WCM-100-BLE-SR**  
(Bluetooth controller, 0-10V, 12-24Vdc, Z10 Brown)

**P10517 CTL-MW-PSC-ZKV-WCM-110-BLE-SR-BN**  
Bluetooth controller w/ Photocell, 0-10V,  
12-24Vdc, Z10 Brown



Type 4 & 5 Lens

**P10398 LENS-CAL-IV**  
(Type IV Lens:  
Requires 1pc for 100/150W,  
Requires 2 pcs for 240/300W)

**P10399 LENS-CAL-V**  
(Type V Lens:  
Requires 1pc for 100/150W,  
Requires 2 pcs for 240/300W)



Power Cables (SO Cord)

**P10167 PWC-600V3-6FT**  
(Black SO Cord 6ft for  
600V 3 Conductor)

**P10168 PWC-600V3-10FT**  
(Black SO Cord 10ft for  
600V 3 Conductor)

**P10220 PWC-600V3-30FT**  
(Black SO Cord 30ft for  
600V 3 Conductor)



Surge Protectors

**P10389 SPD-L-10KV-277**  
(Single Phase Surge Protection  
10KV 120-277V)

**P10390 SPD-L-20KV-277**  
(Single Phase Surge Protection  
20KV 120-277V)

**P10391 SPD-L-20KV-480**  
(Single Phase Surge Protection  
20KV 347-480V)



240-480V Driver

**P10572 BALED-N6H-150M260A12H**  
(240-480V Driver for CAL 150W #9530)

**P10573 BALED-N6H-320M260A12H**  
(240-480V Driver for CAL 300W #9531)

POLE BRACKETS



**Round Pole Mount Tenon**

**P10348 MT-3RTV2.5-1/BZ**  
(3" Round Pole with 2-3/8" Tenon)

**P10349 MT-4RTV2.5-1/BZ**  
(4" Round Pole with 2-3/8" Tenon)

**P10350 MT-5RTV2.5-1/BZ**  
(5" Round Pole with 2-3/8" Tenon)



**Square Pole Mount Tenon**

**P10351 MT-3STV2.5-1/BZ**  
(3" Square Pole with 2-3/8" Tenon)

**P10352 MT-4STV2.5-1/BZ**  
(4" Square Pole with 2-3/8" Tenon)

**P10353 MT-5STV2.5-1/BZ**  
(5" Square Pole with 2-3/8" Tenon)



**Bullhorns with Double -180°**

**P10356 MT-2.5RTBV2.5-2180/BZ**  
(Bullhorn with Double 2-3/8" Tenon-180°)



**Bullhorns with Triple -180°**

**P10357 MT-2.5RTBV2.5-3180/BZ**  
(Bullhorn with Triple 2-3/8" Tenon-180°)



**Bullhorns with Triple -120°**

**P10358 MT-2.5RTBV2.5-3120/BZ**  
(Bullhorn with triple 2-3/8" Tenon-120°)



**Spoke Mount Bracket with Double - 90°**

**P10359 MT-2.5RTBH2.5-290/BZ**  
(Spoke Mount Bracket with Double 2-3/8" -90°)



**Square Pole Mount with Double - 180°**

**P10360 MT-4STV2.5-2180/BZ**  
(4" Square Pole Mount with Double 2-3/8" Tenon)



**Square Pole Mount with Triple - 180°**

**P10361 MT-4STV2.5-3180/BZ**  
(4" Square Pole Mount with Triple 2-3/8" Tenon)



**Square Pole Mount with Quad - 90°**

**P10362 MT-4STV2.5-490/BZ**  
(4" Square Pole Mount with Quad 2-3/8" Tenon)



**Wall Mount Bracket**

**P10363 MT-4WM2.5-1/BZ**  
(Wall Mount Bracket with 2-3/8" Tenon)



**Angled Mount Bracket - 90°**

**P10364 MT-4WM2.5-190/BZ**  
(90° Angled Wall Mount with 2-3/8" Tenon)



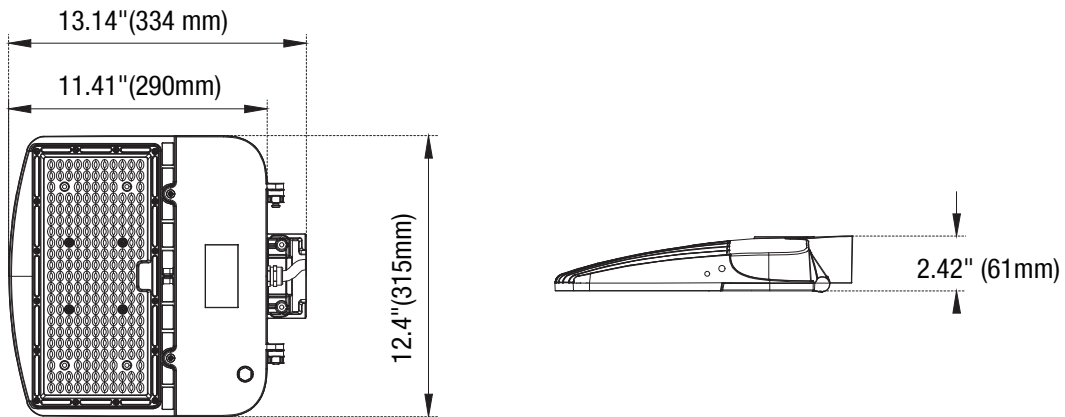
**Light Pole Cap**

**P10354 MT-4STC/BK**  
(4" Square Pole Cap)

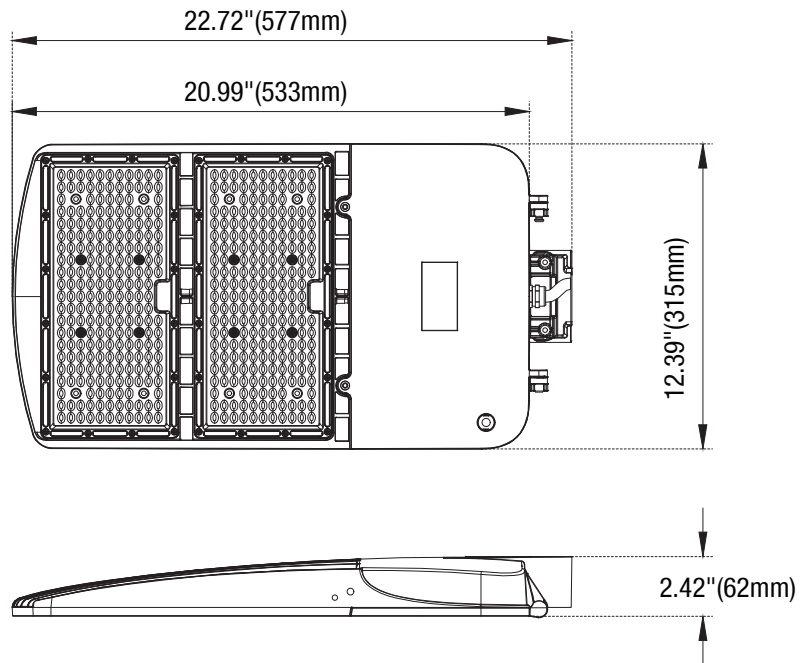
COMPACT AREA LIGHT Z10  
WALL & AREA LUMINAIRES

**DIMENSIONS**

**150SW**  
6.48-lbs



**300SW**  
10.75-lbs



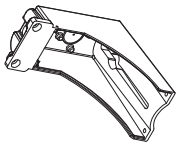
# COMPACT AREA LIGHT Z10

WALL & AREA LUMINAIRES

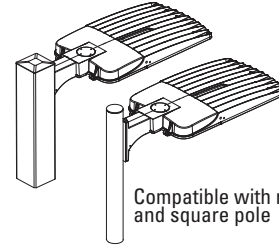
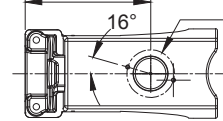
## MOUNTINGS

### Pole Mount 8"

P10365 MT-CAL/PM8/BZ



5.18in (131.6mm)

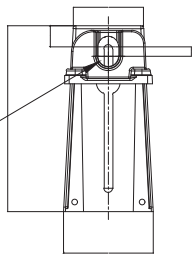


Compatible with round and square pole

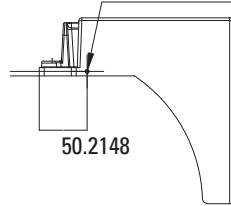


Remove gasket for round pole mounting

R0.43in (11mm)



2-M4



50.2148

2-R0.18 (4.5mm)

4.37in (111mm)

1.38in (35mm)

Ø0.98in (25mm)

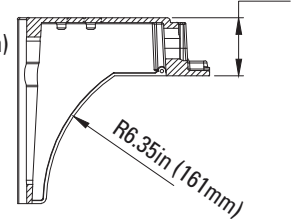
6.93in (176mm)

0.96in (24.5mm)

2.79in (70.8mm)

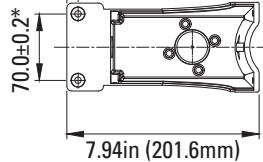
0.39in (10mm)

2.4in (61mm)



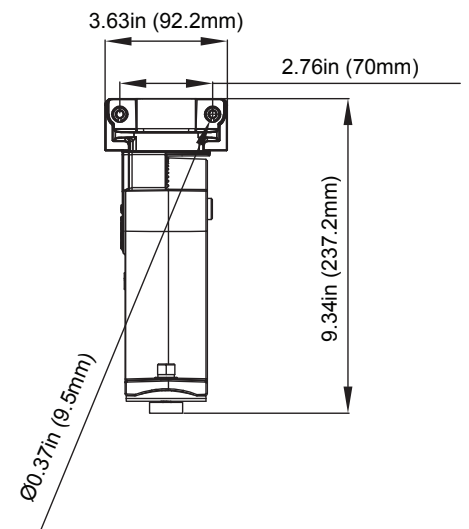
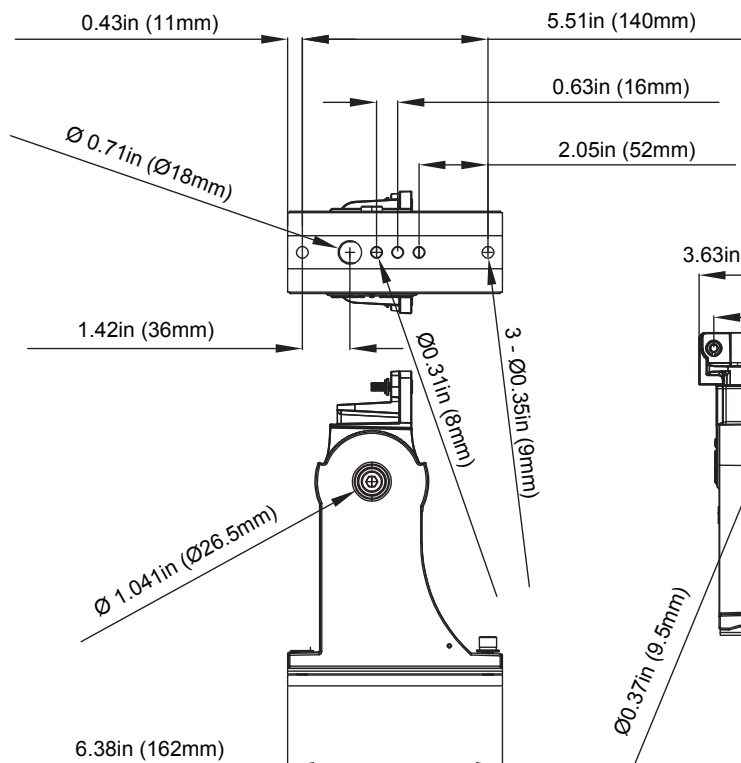
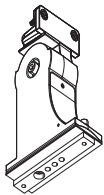
R6.35in (161mm)

11.8±0.2\*



### Adjustable Mount 8"

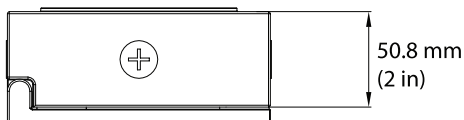
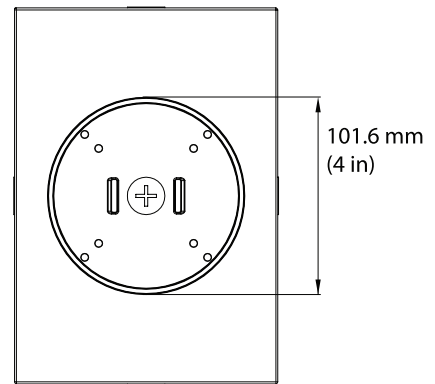
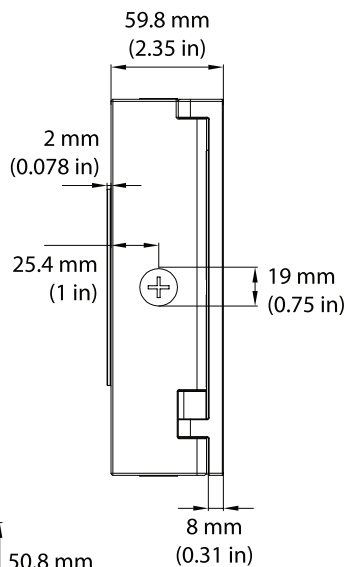
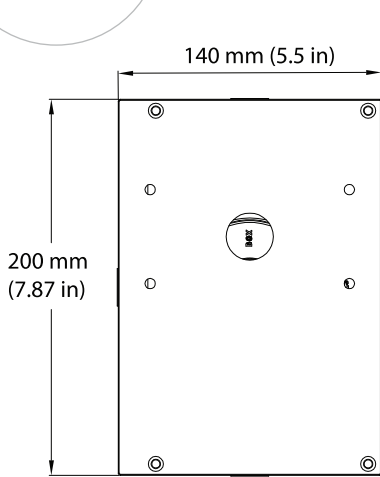
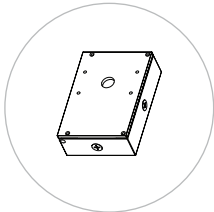
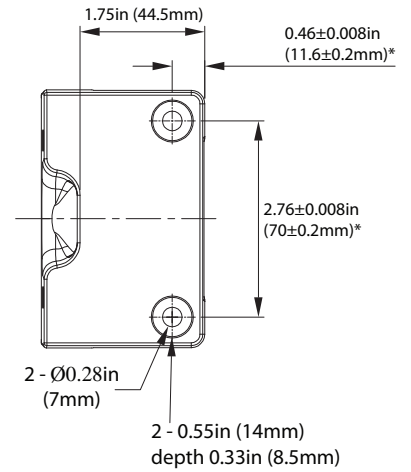
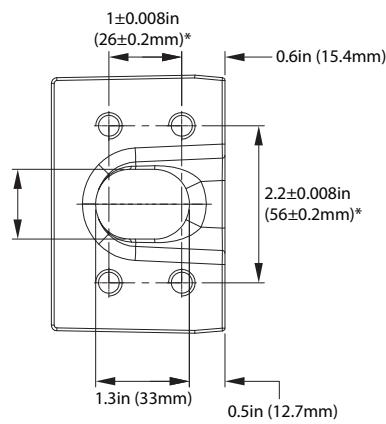
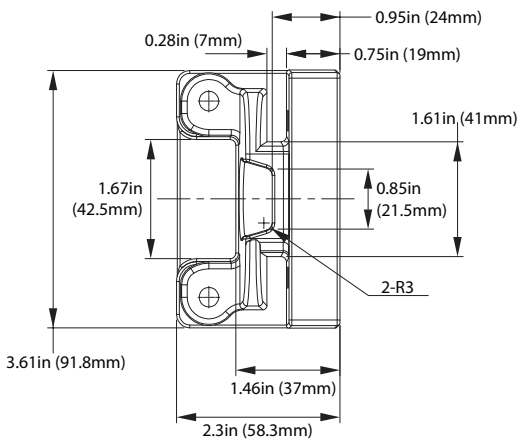
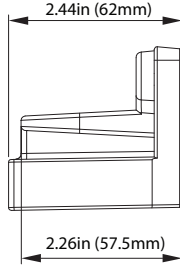
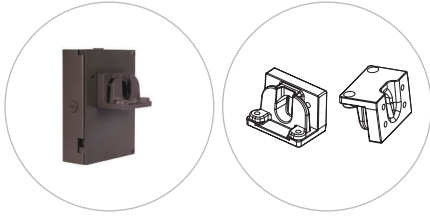
P10523 MT-AL/PM8/BZ



MOUNTINGS

Wall Mount

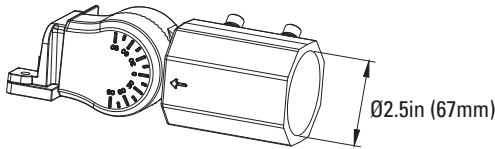
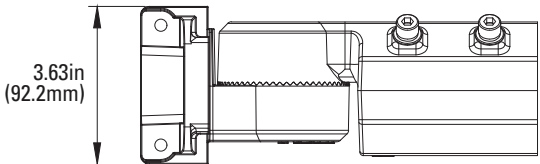
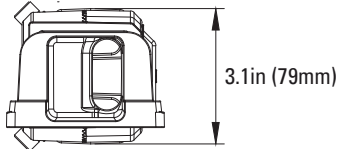
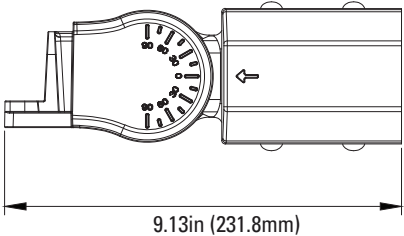
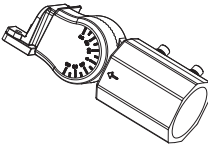
K473478 MT-AL/WM/BZ  
(P10473 MT-AL/WM/BZ+ P10478 MT-AL/MH/BZ)



**MOUNTINGS**

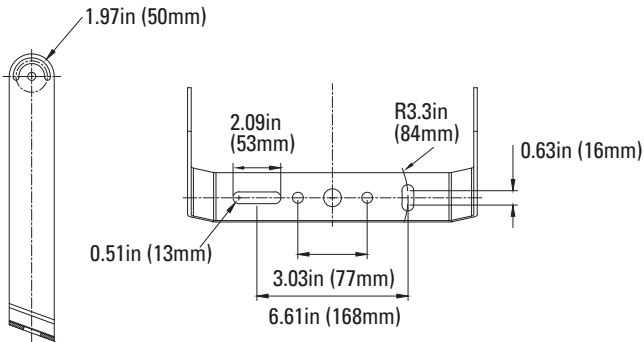
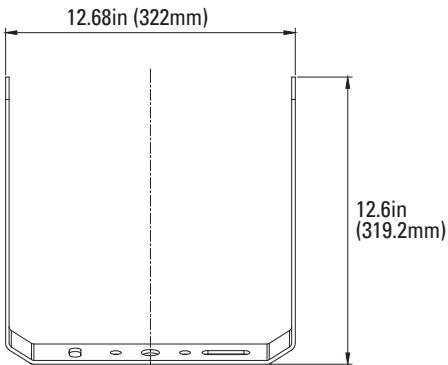
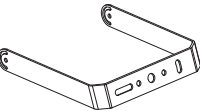
**Slip Fitter**

P10366 MT-CAL/SF/BZ



**Yoke Mount**

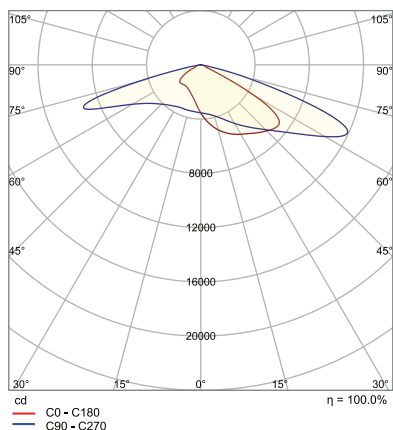
P10367 MT-CAL/YK13/BZ



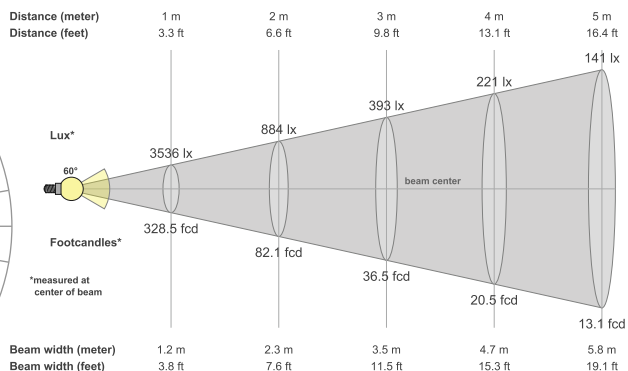
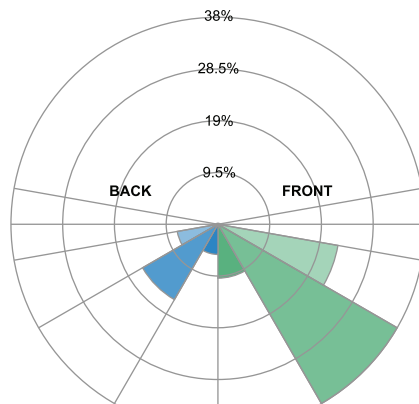


### PHOTOMETRICS

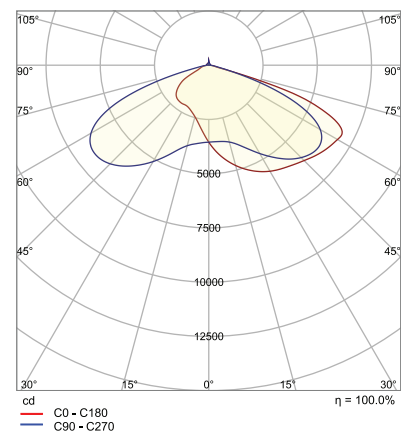
#### 150 S/Wattage (Type 3)



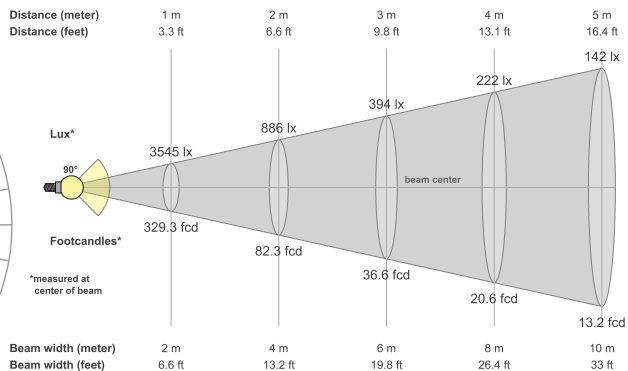
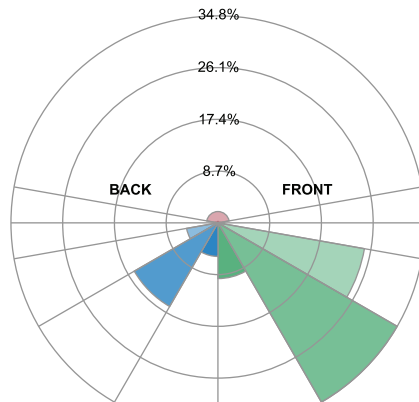
BUG rating B3 U2 G3



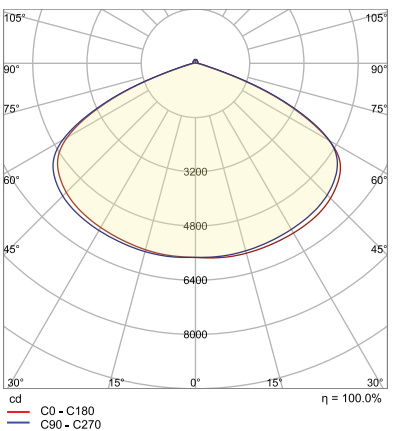
#### 150 S/Wattage (Type 4)



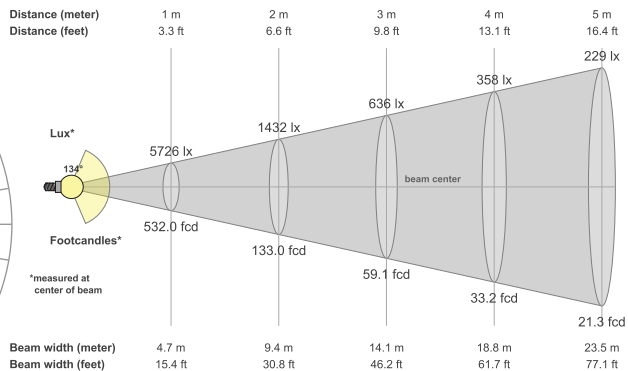
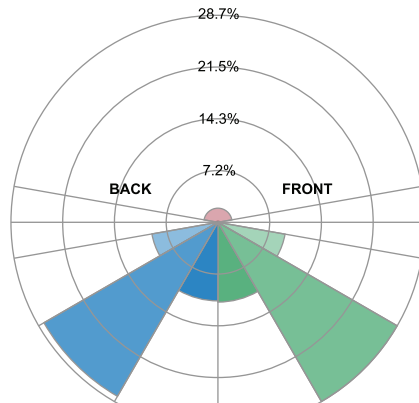
BUG rating B3 U3 G3



#### 150 S/Wattage (Type 5)



BUG rating B4 U3 G3



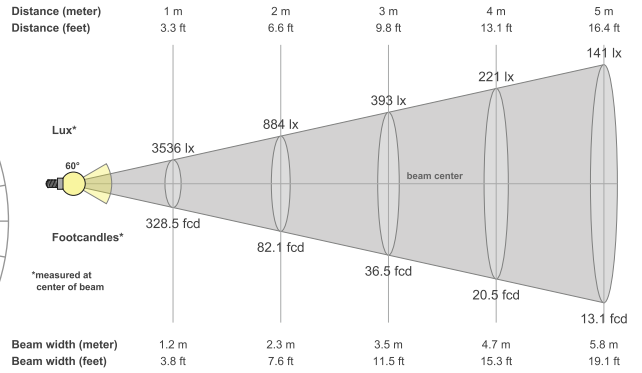
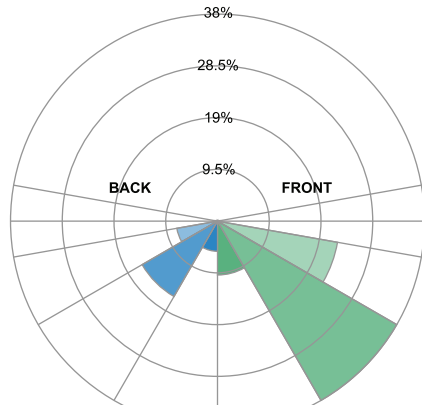
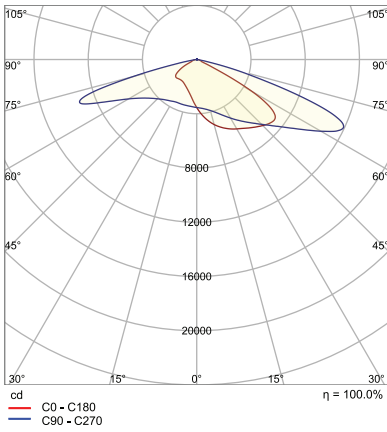
# COMPACT AREA LIGHT Z10

## WALL & AREA LUMINAIRES

### PHOTOMETRICS

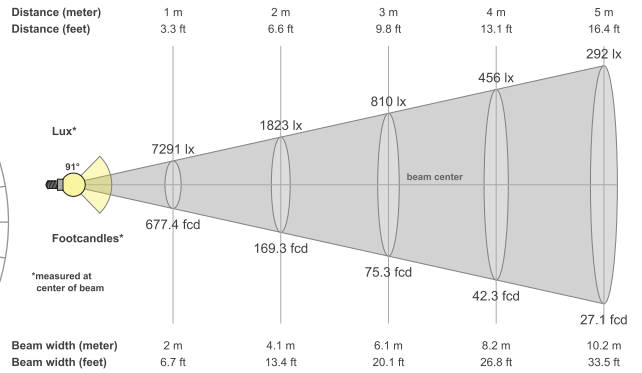
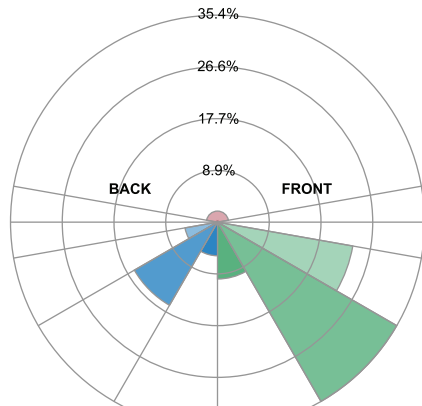
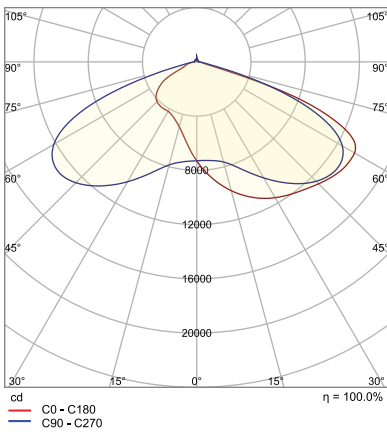
#### 300 S/Wattage (Type 3)

BUG rating B3 U2 G3



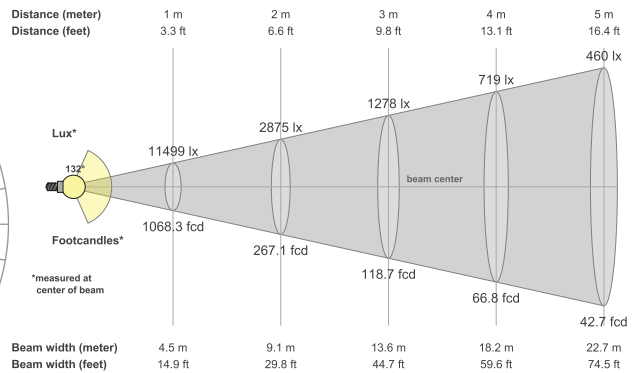
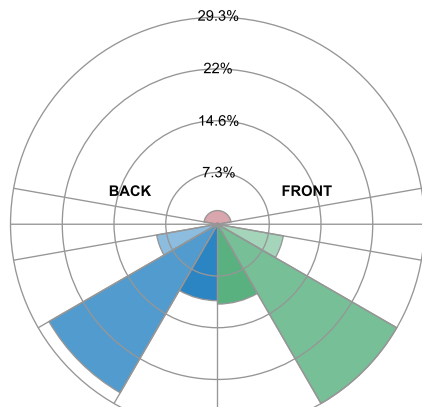
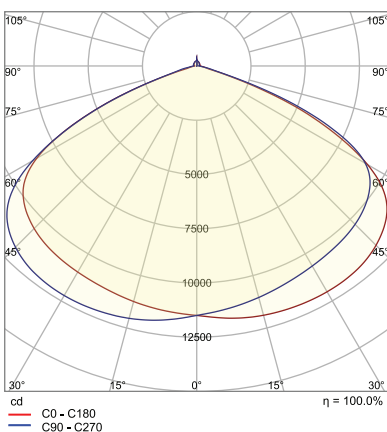
#### 300 S/Wattage (Type 4)

BUG rating B4 U4 G4



#### 300 S/Wattage (Type 5)

BUG rating B5 U4 G4

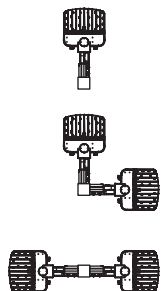


# COMPACT AREA LIGHT Z10

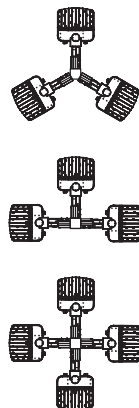
WALL & AREA LUMINAIRES

## EPA RATING

### 150SW

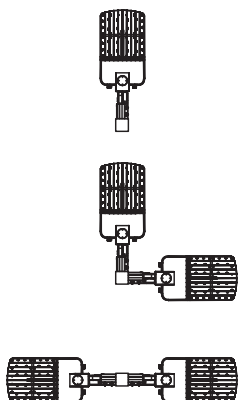


Config.	EPA
1	0.4
2 @ 90°	0.66
2 @ 180°	0.79

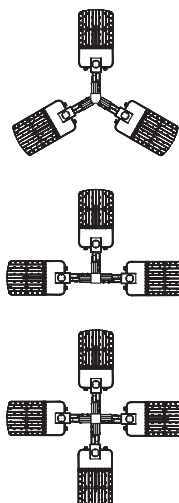


Config.	EPA
3 @ 120°	0.99
3 @ 90°	1.19
4 @ 180°	1.58

### 300SW



Config.	EPA
1	0.56
2 @ 90°	0.92
2 @ 180°	1.12



Config.	EPA
3 @ 120°	1.38
3 @ 90°	1.66
4 @ 180°	2.21

## PACKAGE

	Master Carton (pc)	Dimensions (in)	Weight (lb)
150W	1	18.11"x14.37"x5.71"	8.5
300W	1	27.72"x14.37"x5.71"	13

