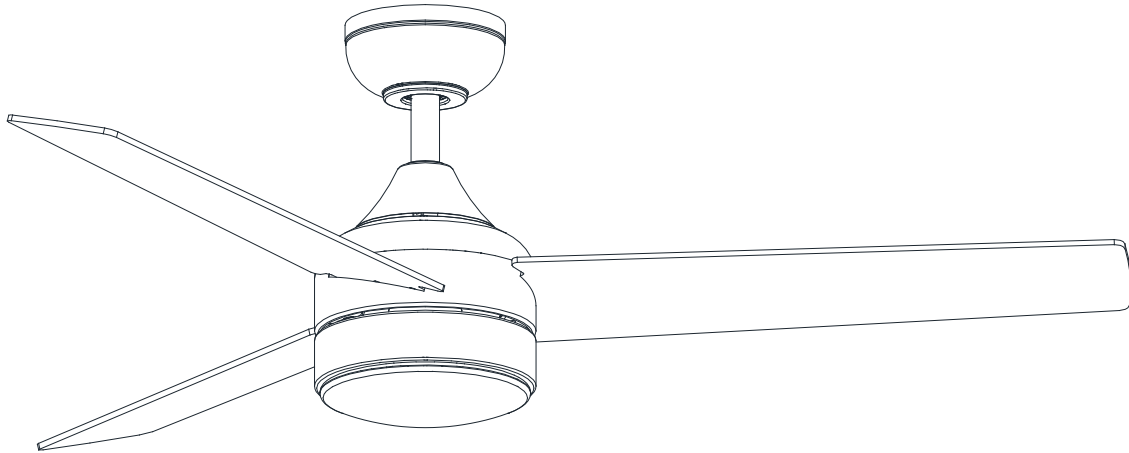


kuzco vibe

NASH CEILING FAN INSTRUCTION SHEET



MODEL CF0716452



Scan this QR code with your phone to view our step by step installation video or visit
<https://kuzcolighting.com/fan-resources>.

TF. 1.855.855.8926 | T. 604 538 7162 | F. 604 538 7196

CANADA: 19054 28th Ave., - Surrey, BC V3Z 6M3

USA: 3035 E. Lone Mountain Rd. - Las Vegas, NV 89081

www.kuzcolighting.com

CETL MODEL NO. CF0716452-XX-LKW
N.W: 5.75KG

SAFETY INFORMATION

1. To reduce the risk of electric shock, ensure electricity has been turned off at the circuit breaker or fuse box before beginning.
2. All wiring must be in accordance with the National Electrical Code and local electrical codes. Electrical installation should be performed by a qualified licensed electrician.
3. **CAUTION:** Read all instructions and safety information before installing your new fan. Review accompanying assembly diagrams.
4. **WARNING:** To reduce the risk of electrical shock and fire, do not use this fan with any solid-state fan speed control device.
5. **WARNING:** To reduce the risk of fire, electric shock, or personal injury, mount to UL Listed outlet box marked "acceptable for fan support of 15.9 kg (35 lbs) or less" and use mounting screws provided with the outlet box. Most outlet boxes commonly used for the support of light fixtures are not acceptable for fan support and may need to be replaced. Due to the complexity of the installation of this fan, a qualified licensed electrician is strongly recommended.
6. **WARNING:** To reduce the risk of fire, electric shock, or personal injury. Do not use replacement parts that have not been recommended by the manufacturer (e.g. parts made at home using A 3D printer).
7. The fan must be mounted with a minimum of 2.3 m clearance from the trailing edge of the blades to the floor. The tip of the fan blade to the nearest wall/obstruction: 30 inches.
8. **WARNING:** Avoid placing objects in the path of the blades.
9. To avoid personal injury or damage to the fan and other items, be cautious when working around or cleaning the fan.
10. Do not use water or detergents when cleaning the fan or fan blades. A dry dust cloth or lightly dampened cloth will be suitable for most cleaning.
11. After making electrical connections, spliced conductors should be turned upward and pushed carefully up into outlet box. The wires should be spread apart with the grounded conductor and the equipment- grounding conductor on one side of the outlet box.
12. Electrical diagrams are for reference only. Light kits that are not packed with the fan must be UL and cUL Listed and marked suitable for use with the model fan you are installing. Switches must be UL and cUL General Use Switches. Refer to the Instructions packaged with the light kits and switches for proper assembly.
13. Do not wait for the fan to stop before pressing the reverse button. The fan will not reverse direction if the fan is not moving.
14. **WARNING:** If unusual oscillating movement is observed, immediately stop using the ceiling fan and contact the manufacturer, its service agent or suitably qualified persons.
15. The outlet box and support structure must be securely mounted and capable of reliably supporting a minimum of 15.9 kg (35 lbs). Use only UL listed outlet boxes marked "acceptable for fan support of 15.9 kg (35 lbs) or less" .
16. That the mounting of the suspension system shall be performed by the manufacturer, its service agent or suitably qualified persons.
17. That the replacement of parts of the safety suspension system device shall be performed by the manufacturer, its service agent or suitably qualified persons.
18. **NOTE:** The appliance is not to be used by persons (including children) with reduced physical, sensory or mental capabilities, or lack of experience and knowledge, unless they have been given supervision or instruction. Children should be supervised to ensure that they do not play with the appliance.
19. All set screws must be checked and tightened where necessary before installation.
20. The switch used shall have been investigated and found acceptable for use as a general-use switch, as a speed control, or the like.

WARNING: TO REDUCE THE RISK OF PERSONAL INJURY, DO NOT BEND THE BLADE ARMS (ALSO REFERRED TO AS FLANGES), WHEN INSTALLING THE BRACKETS, BALANCING THE BLADES OR CLEANING THE FAN.

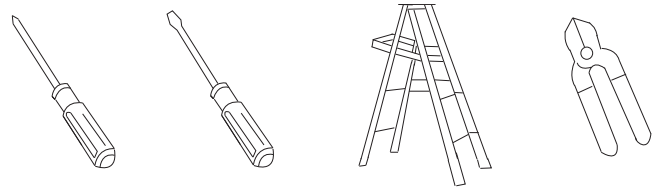
READ AND SAVE THESE INSTRUCTIONS.

TABLE OF CONTENTS

- Safety
- Tools Needed
- Hardware Included
- Package Contents
- Fan Assembly
- Electrical Connections
- Fan Blade Installation
- Light Kit Installation
- Wall Control
- Operation
- Care and Cleaning
- Troubleshooting
- Warranty Information

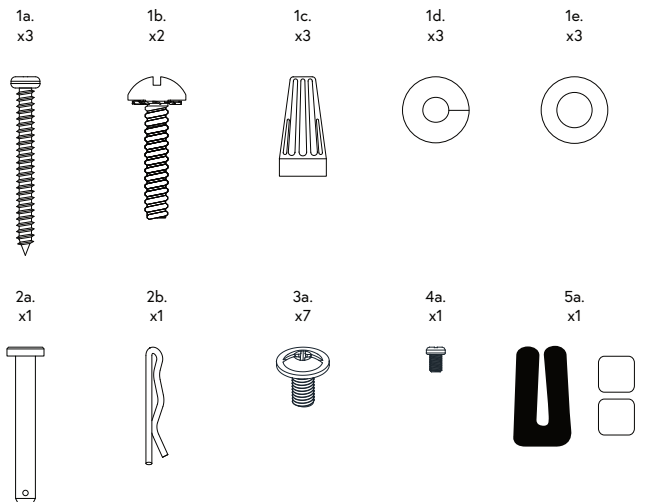
TOOLS NEEDED

- Phillips screwdriver
- Flathead screwdriver
- Step ladder
- Wire cutter

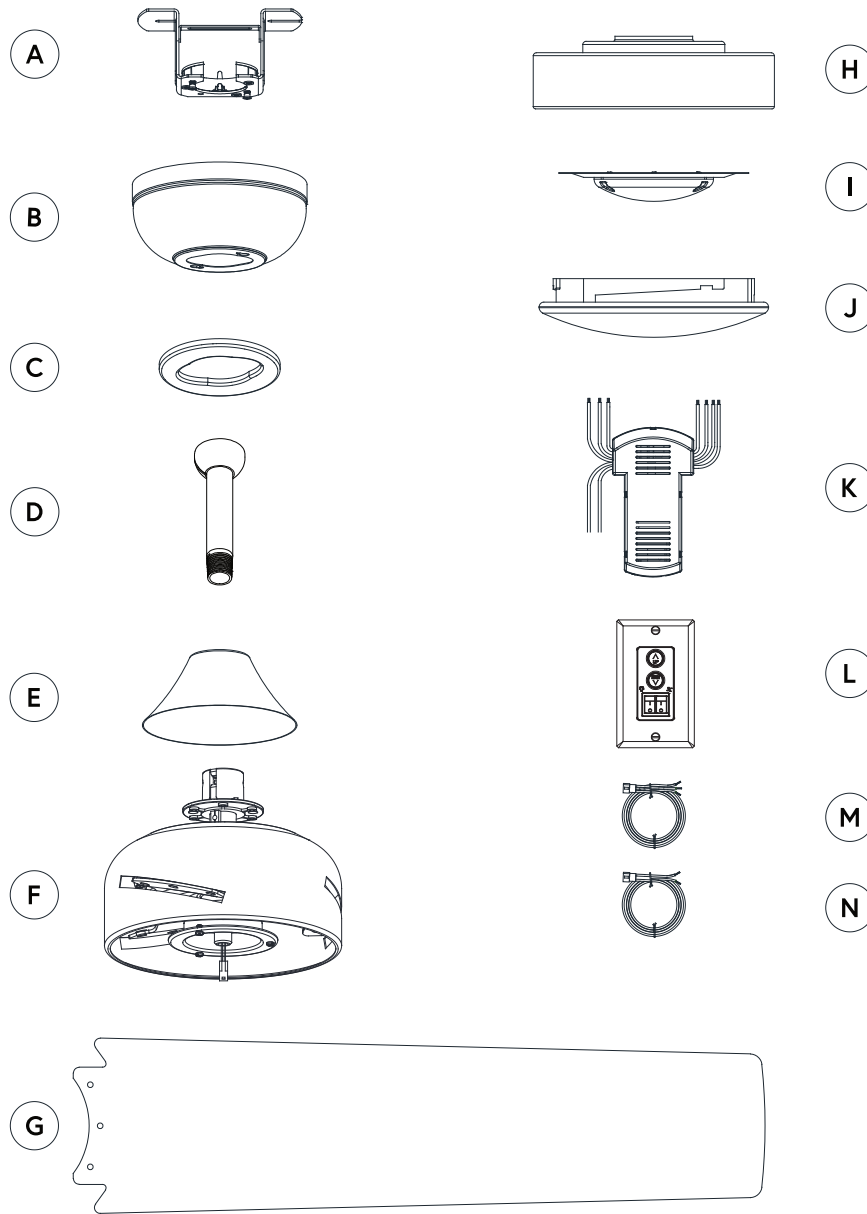


HARDWARE INCLUDED

- Bracket Mounting Hardware
 - wood screws **(1a)**
 - screws **(1b)**
 - wire nuts **(1c)**
 - lock washers **(1d)**
 - flat washers **(1e)**
- Fan Mounting Hardware
 - clevis pin **(2a)**
 - cotter pin **(2b)**
- Blade to motor screws **(3a)**
- Hex key **(4a)**
- Balance Kit **(5a)**



PACKAGE CONTENTS



Part	Description	Quantity
A	Mounting bracket	1
B	Canopy	1
C	Canopy screw cover	1
D	Hanger ball/downrod assembly	1
E	Coupling cover	1
F	Fan motor	1
G	Blade	3
H	Light pan	1

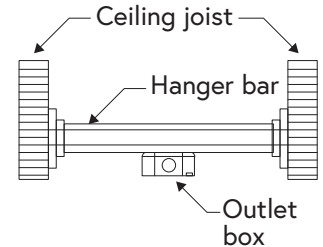
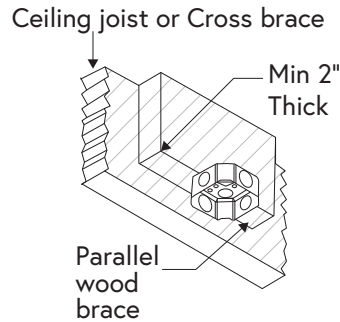
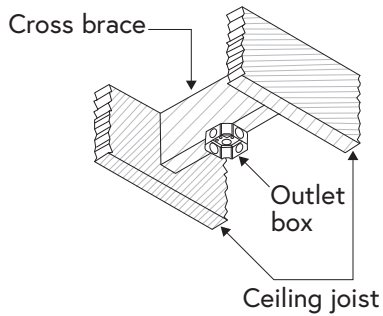
Part	Description	Quantity
I	LED assembly	1
J	Shatter resistant shade	1
K	Receiver	1
L	Wall control remote	1
M	Lead Wire	1
N	Lead Wire	1

FAN ASSEMBLY - PREPARING THE MOUNTING HARDWARE

Outlet Box Mounting Options

If there isn't an existing UL Listed octagonal mounting box marked "Acceptable for Fan Support" follow the instructions below. (**REMINDER:** an electrical junction box for use with luminaires is not acceptable for this application)

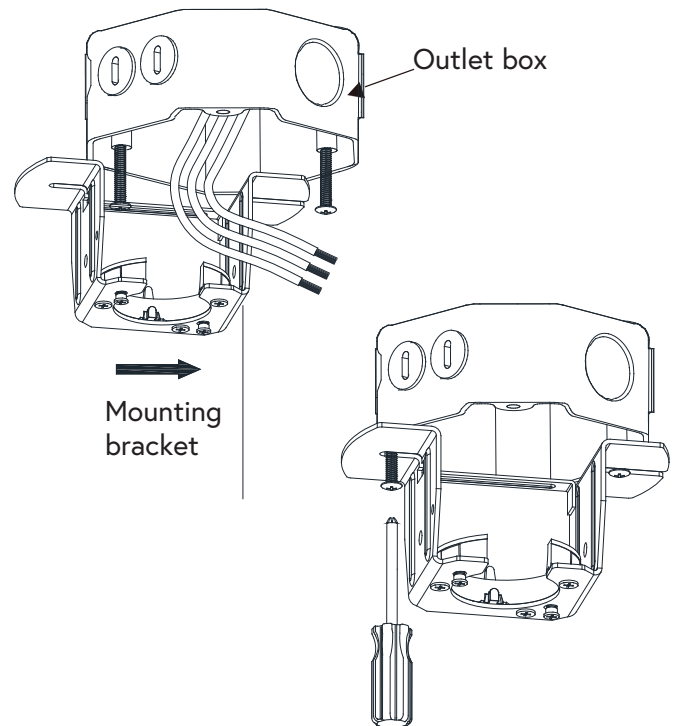
- Before you begin installing the mounting box, shut off the power at the circuit breaker of the fuse box.
- Secure the box directly to the building structure. The figures below show 3 example methods.



INSTALLING THE HANGING BRACKET

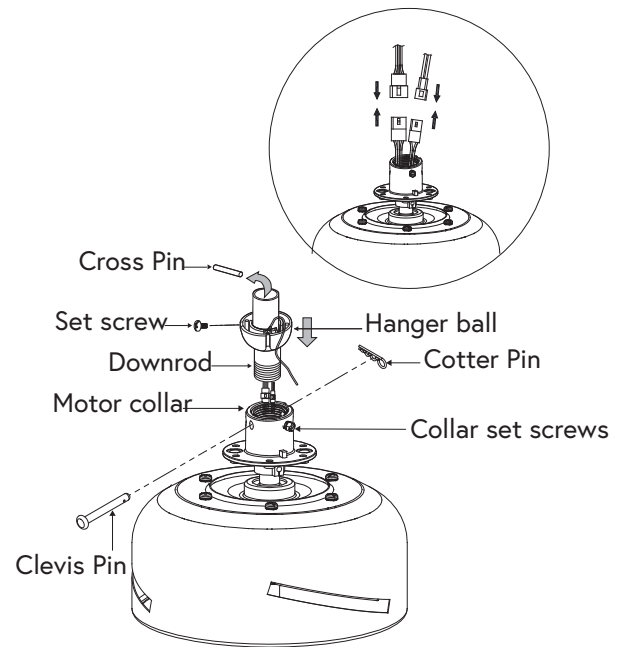
CAUTION: TO AVOID POSSIBLE ELECTRICAL SHOCK, BE SURE ELECTRICITY IS TURNED OFF AT THE MAIN POWER BOX BEFORE WIRING. ALL WIRING MUST BE IN ACCORDANCE WITH NATIONAL AND LOCAL ELECTRICAL CODES AND THE CEILING FAN MUST BE GROUNDED AS A PRECAUTION AGAINST POSSIBLE ELECTRIC SHOCK.

1. Partially loosen the two screws on the outlet box, attach the mounting bracket onto the outlet box by sliding it over the two screws as shown in the illustration.
2. Have the mounting bracket in position and tighten the set screw.
3. Securely tighten the two mounting screws.



PREPARING THE MOTOR

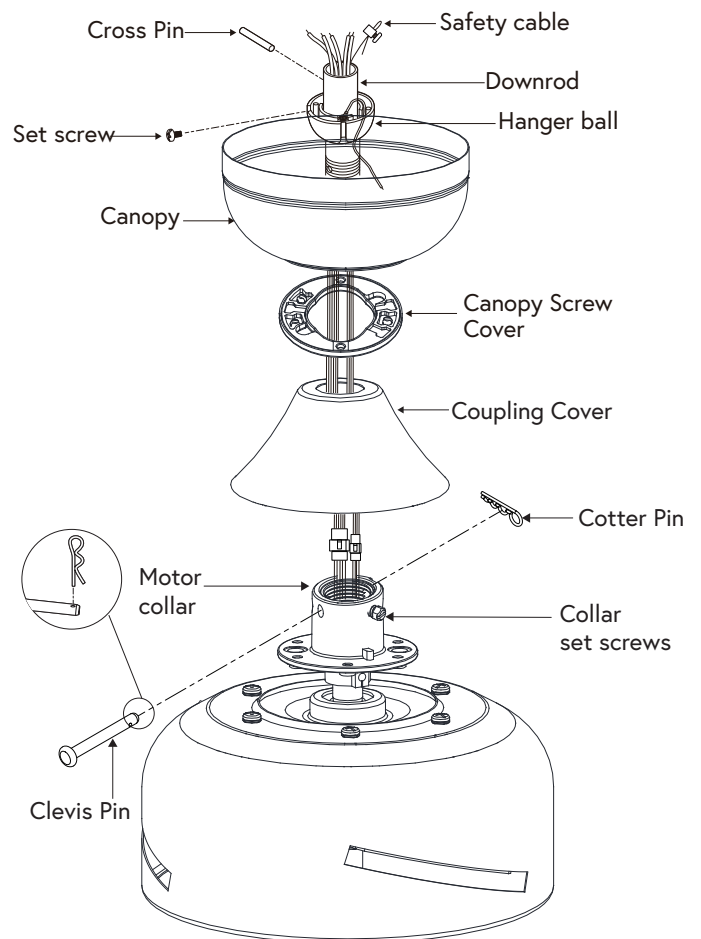
1. Connect the extension lead wires to the motor lead wires. Ensure the quick connectors are securely fastened.
2. Loosen the collar set screws from the motor collar.
3. Take out the set screw located in the hanger ball, lower the hanger ball and remove the cross pin. Remove the hanger ball from the hanger ball/downrod assembly.



ASSEMBLING THE FAN

WARNING: Failure to properly install the cotter pin could result in the fan becoming loose and possibly falling.

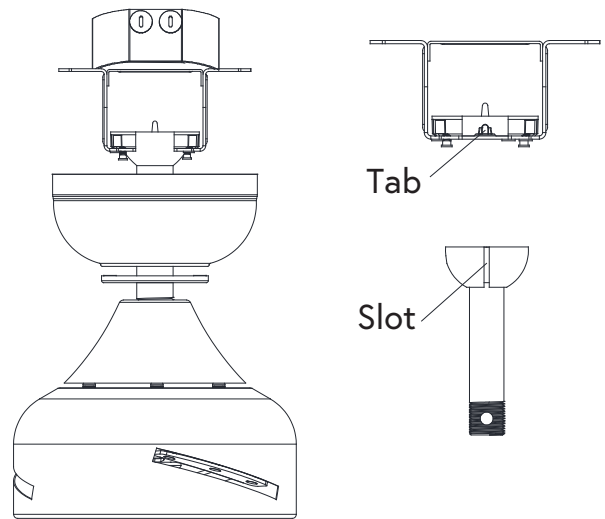
1. Carefully feed the motor wires and safety cable up through the downrod. Thread the downrod into the collar until the holes at the bottom of the downrod align with the holes in the collar.
2. Carefully insert the clevis pin through the holes in the collar and downrod. Insert the cotter pin through the hole, near the end of clevis pin until it snaps into its locked position.
3. Slip the coupling cover, the canopy screw cover, and the canopy onto the downrod.
4. Carefully reinstall the hanger ball onto the downrod. Being sure that the cross pin is in the correct position, the set screw is tightened and wires are not twisted.



HANGING THE FAN

WARNING: The tab in the ring must rest in the groove of the hanger ball/downrod assembly. Failure to properly seat the tab in the groove could cause damage to the wiring.

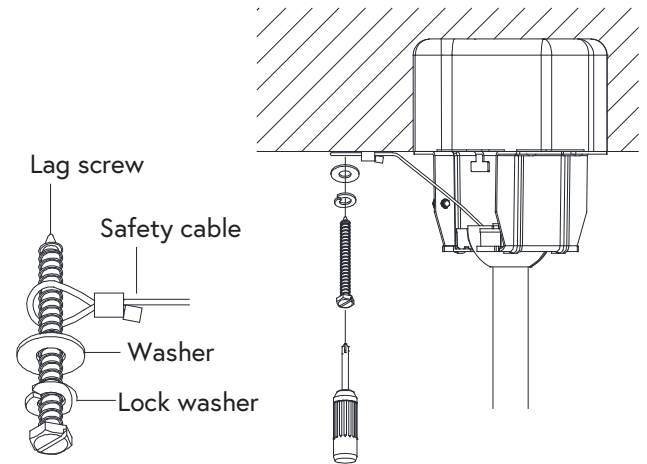
1. Carefully lift the fan motor assembly up to the mounting bracket and seat the hanger ball/downrod assembly in the mounting bracket socket. Make sure the tab on the mounting bracket socket is properly seated in the groove in the hanger ball/downrod assembly. This will help to balance the ceiling fan.



INSTALLATION OF THE SAFETY CABLE SUPPORT

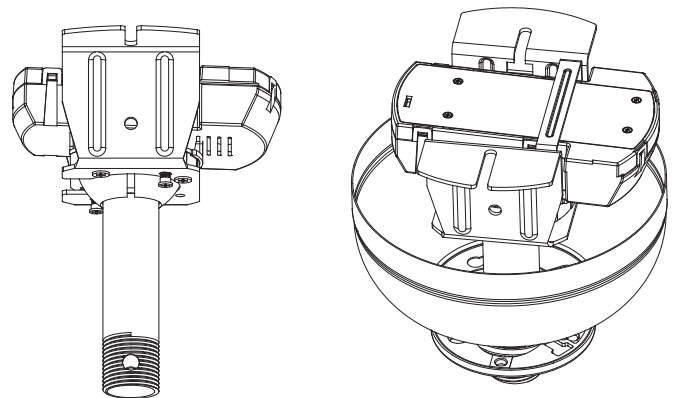
NOTE: If installing the secondary support safety cable in the U.S., do not remove knockouts in the outlet box.

1. For Canadian installation and for USA fan and light kit combinations over 35 lbs, in both flush and downrod modes, the safety cable must be installed into the house structure beams using 3" lag screws, washers and lock washers provided. Make sure that when the safety cable is fully extended the lead wires are longer than the cable and no stress is placed on the lead wires.



INSTALLING THE RECEIVER

1. Position the house supply wires to one side of the slide-on mounting bracket; position the fan wires to the opposite side.
2. Insert the receiver (as shown, flat side toward ceiling) into the slide-on mounting bracket until it rests on top of the ball/downrod assembly.



ELECTRICAL CONNECTIONS - RECEIVER TO THE HOUSEHOLD WIRING

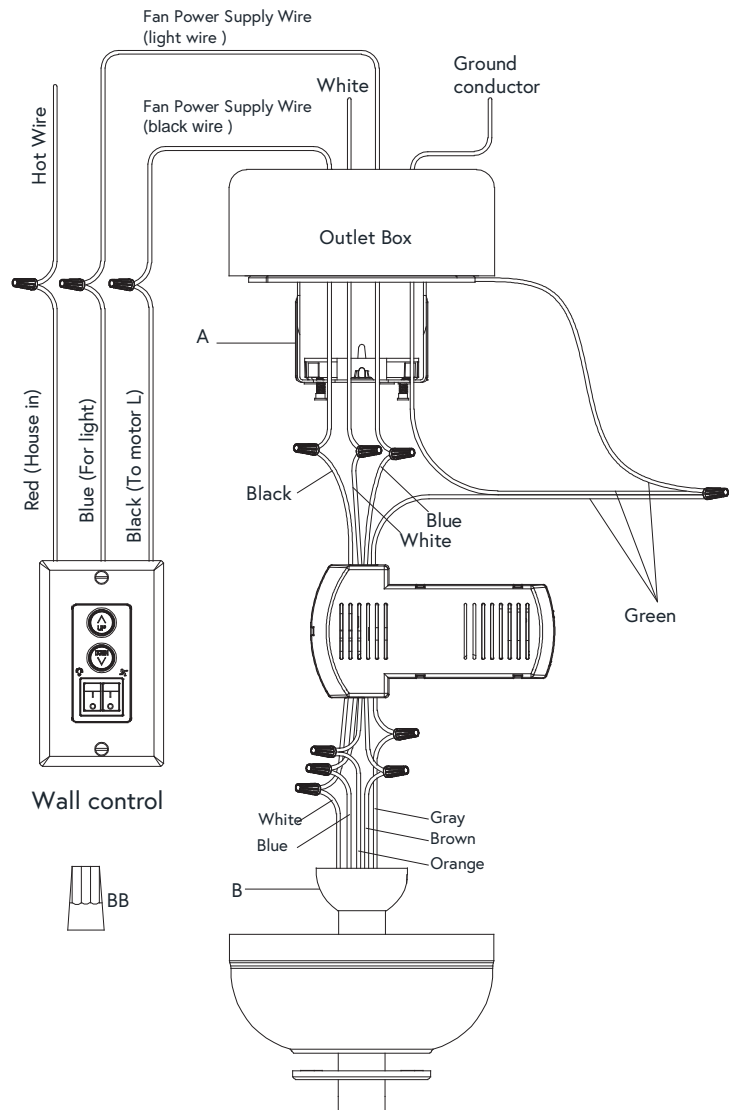
WARNING: To avoid possible electrical shock, be sure electricity is turned off at the main fuse box before installation.

WARNING: Check to see that all connections are tight, including ground, and that no bare wire is visible at the wire nuts, except for the ground wire.

CAUTION: To reduce the risk of electric shock, this fan must be installed with an isolating, general-use wall control/switch.

NOTE: Control must be installed within 30 feet of fan.

1. Make wire connections from the fan to the receiver unit. For this step use the bundle of 5 wires on the receiver. Secure with supplied wire nuts.
 - Connect the **BLUE** fan wire to the **BLUE** receiver wire.
 - Connect the **WHITE** fan wire to the **WHITE** receiver wire.
 - Connect the **ORANGE** fan wire to the **ORANGE** receiver wire.
 - Connect the **BROWN** fan wire to the **BROWN** receiver wire.
 - Connect the **GRAY** fan wire to the **GRAY** receiver wire.
2. Connect the wiring from the ceiling to the receiver unit. For this step use the bundle of 4 wires on the receiver. Secure with supplied wire nuts.
 - Connect the **Fan Power Supply (Black Wire)** to the **BLACK** receiver wire.
 - Connect the **Fan Power Supply (Light Wire)** to the **BLUE** receiver wire.
 - Connect the **WHITE** building neutral wire to the **WHITE** receiver wire.
 - Connect the **COPPER** building ground wire to the 2 **GREEN** ground wires from the fan and receiver.

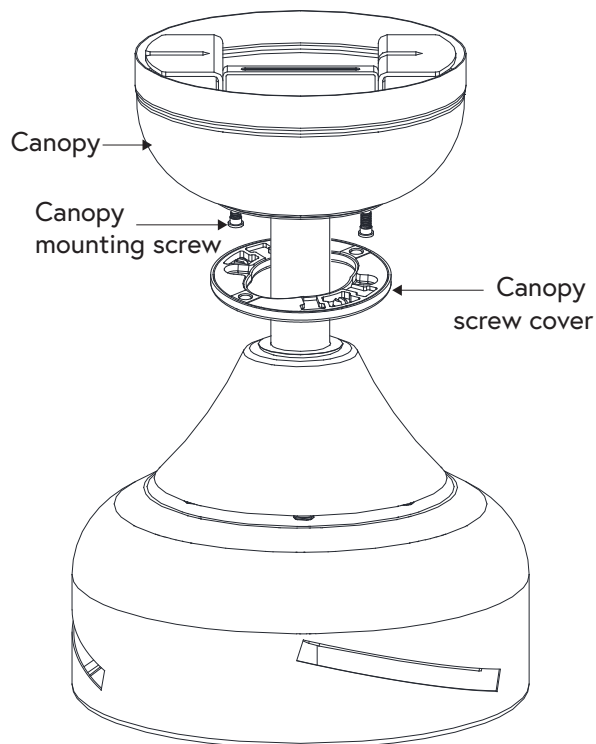
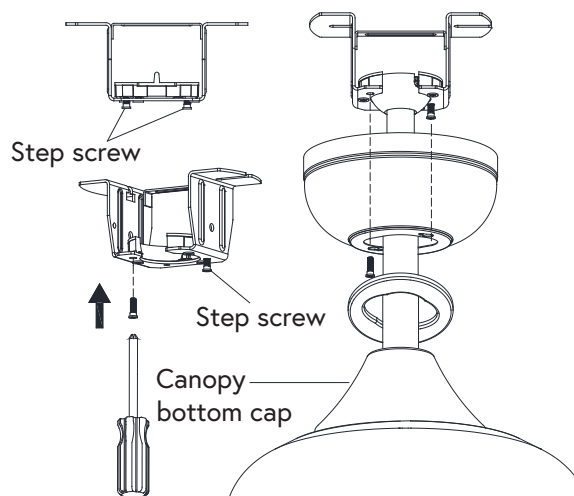


INSTALLING THE CANOPY

WARNING: When using the standard ball/downrod mounting, the tab in the ring at the bottom of the mounting bracket must rest in the groove of the hanger ball. Failure to properly seat the tab in the groove could cause damage to the wiring.

NOTE: The magnet is pre-attached on the canopy bottom cover for you to remove and install easily.

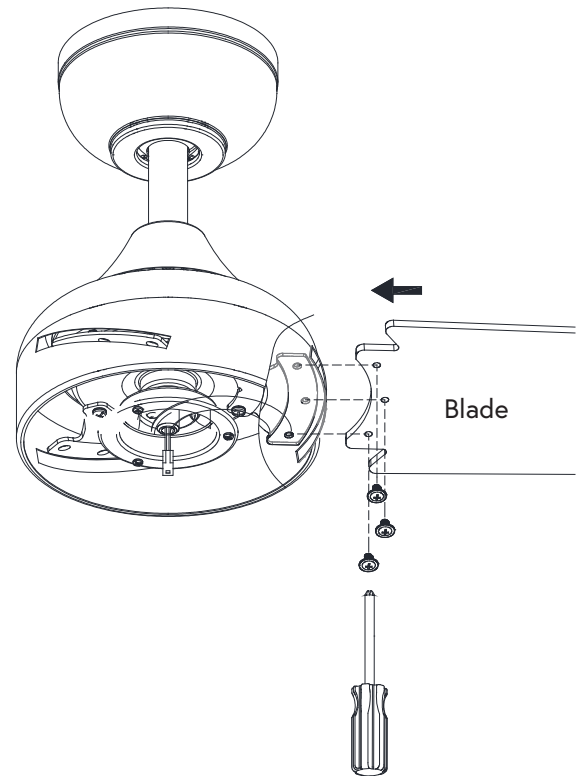
1. Partially loosen one and remove one preassembled step screw from mounting bracket (Do not remove the other set screws). Save the screw.
2. Lift canopy up, aligning its keyhole slot with the preassembled step screw on mounting bracket and twist clockwise to lock in place. Reinstall the other step screw and tighten the screws securely.
3. Attach canopy bottom cap onto canopy by aligning its holes with the step screws on mounting bracket and fix it with the magnet embraced in the cap.



FAN BLADE INSTALLATION

NOTE: Your fan blades are reversible. Select the blade finish which best accentuates your decor

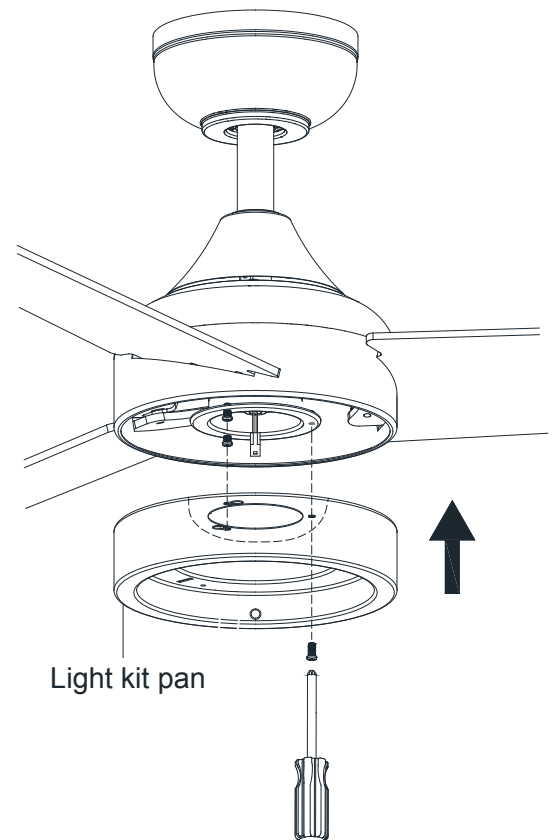
1. Insert blade into the slot on flywheel.
2. Install blade with screws provided, aligning each of the holes as shown and tighten all screws securely.
3. Repeat this process for remaining blades.



LIGHT KIT INSTALLATION

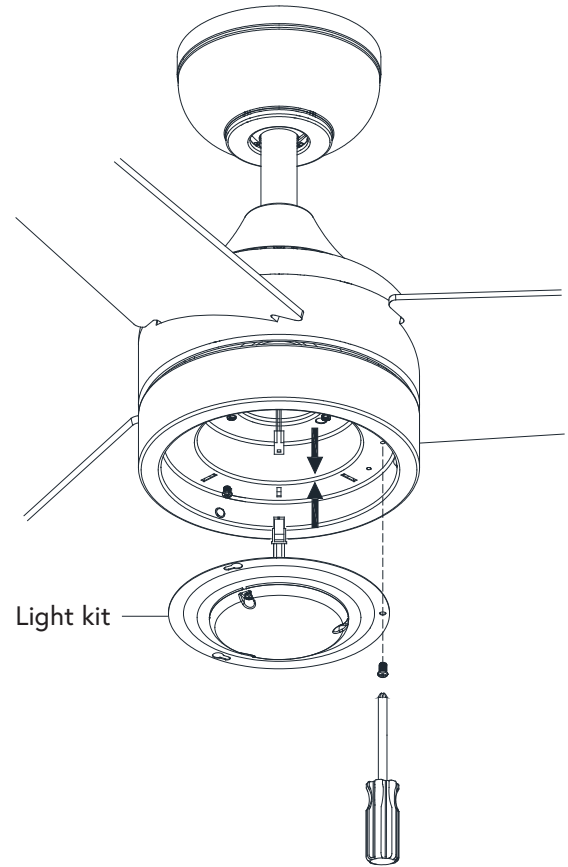
CAUTION: To reduce the risk of electrical shock, disconnect the electrical supply circuit to the fan before installing the light kit.

1. Loosen but do not remove two of three mounting screws from the fan motor assembly; Remove one mounting screw.
2. Push the light kit pan up to the fan motor assembly so that the two loosened screw heads fit into the keyhole slots. Turn the light kit pan clockwise, tighten the screws.
3. Re-install the screw that was removed in step 1 and tighten firmly.



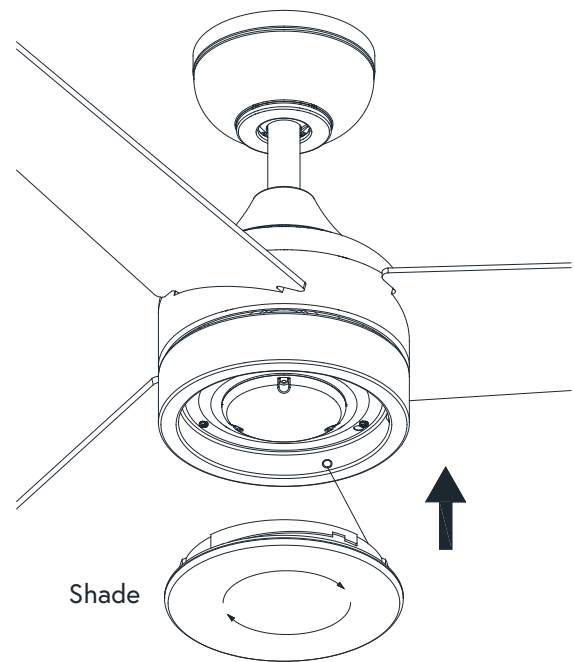
LED ASSEMBLY INSTALLATION

1. Remove one screw from the light kit pan and loosen but do not remove the other two screws.
2. Connect the wires from the light kit fitter assembly to the wires from the fan motor assembly by connecting the molded adaptor plugs together. Carefully tuck all wires and splices into the switch cap.
3. Push the light kit assembly up so that the two loosened screw heads fit into the keyhole slots.
4. Turn the light kit assembly clockwise, tighten the screws. Reinstall the screw that was removed in step 1 and tighten firmly.



SHADE INSTALLATION

1. Place the shade into the light kit pan, aligning the three flat areas on the top of the shade with the three raised dimples in the light kit pan. Turn the shade clockwise until it stops.



PREPARING THE WALL CONTROL

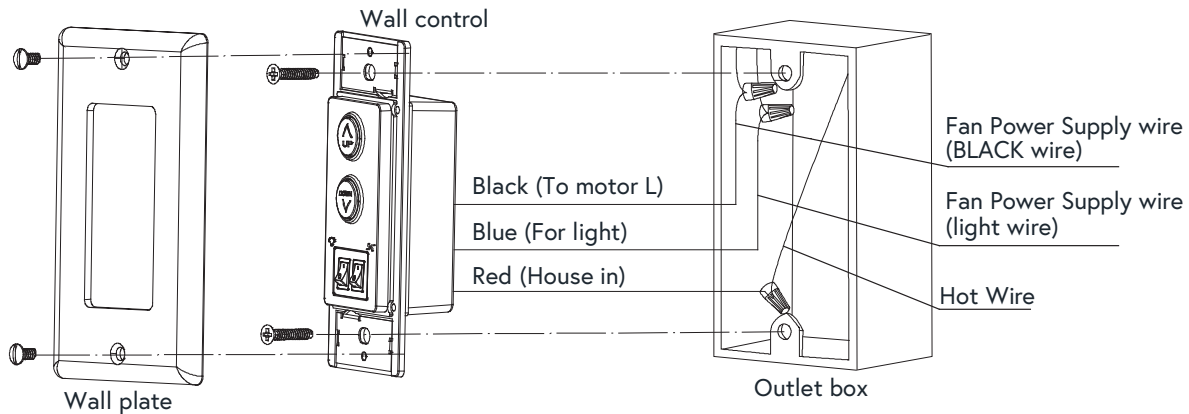
1. After turning off the electricity at the main fuse box or circuit breaker panel, remove the existing wall plate and switch.
2. Connect the **BLACK** wire from the wall control to the **FAN POWER SUPPLY** wire (BLACK wire).
3. Connect the **BLUE** wire from the wall control to the **FAN POWER SUPPLY** wire (light wire).
4. Connect the **RED** wire from the wall control to the **HOT WIRE**.
5. Secure each wire connector with electrical tape, then carefully push each set of wires into the outlet box.
6. Place the wall control over the outlet box and secure it with the screws.
7. Place the wall plate over the wall control and secure it with the screws.
8. Restore power to the circuit breaker.

WARNING: Before proceeding, be sure to turn off the electricity at the main switch or circuit breaker to avoid electrical shock.

NOTE: Before installing the wall control, ensure it is set to the OFF position.

NOTE: Use the wire connectors supplied with your fan. Secure the connectors with electrical tape, ensuring there are no loose strands or connections.

NOTE: If the **BLACK** and **BLUE** wires from the wall control are connected incorrectly, the ceiling fan doesn't work.



OPERATION - WALL CONTROL

WALL CONTROL

FAN SPEED

Press and release the UP button to increase fan speed.
Press and release the DOWN button to decrease fan speed.

FAN DIRECTION

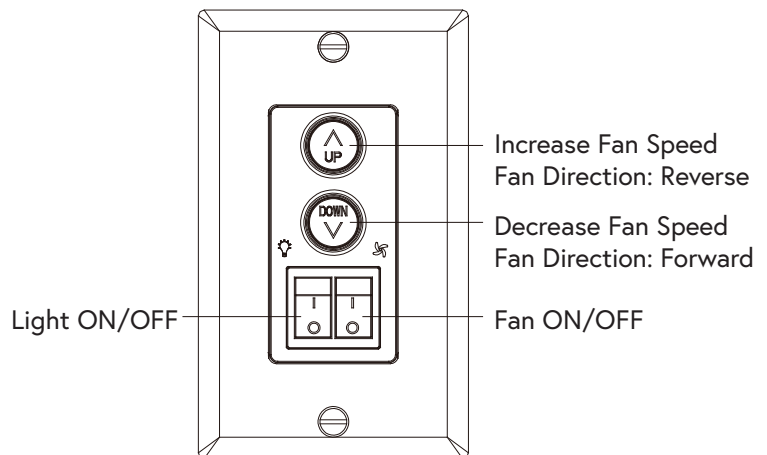
Press and hold the UP button for 3 seconds until you hear a beep, indicating the fan is set to reverse direction.
Press and hold the DOWN button for 3 seconds until you hear a beep, indicating the fan is set to forward direction.

FAN ON/OFF

Press and release the fan switch to turn the fan on or off.

LIGHT ON/OFF

Press and release the light switch to turn the light on or off.

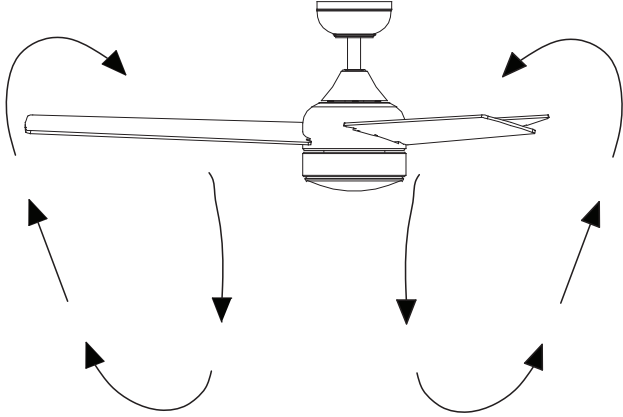


Summer Mode and Winter Mode Operation

Speed settings for warm or cold weather depend on factors such as room size, ceiling height and number of fans.

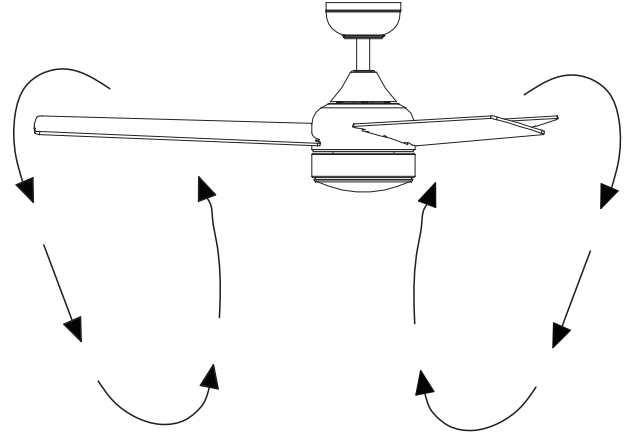
Summer Mode (forward):

A DOWNWARD airflow creates a cooling effect. This allows you to set your air conditioner on a warmer setting without affecting your comfort.



Winter Mode (reverse):

A UPWARD airflow moves warmer air off the ceiling area. This allows you to set your heating unit on a cooler setting without affecting your comfort.



CARE AND CLEANING

- Periodically it may be necessary to re-tighten blade to blade arm screws or blade arm to motor screws to prevent clicking or humming sound during operation. This is especially true in climates with broad temperature and humidity ranges.
- When dusting the blades, you must support the blade to prevent bending - no pressure should be applied to the blades. If you experience any flaws in the operation of your fan, please check the following points.

TROUBLESHOOTING

PROBLEM	SOLUTION
FAN WILL NOT START	<ol style="list-style-type: none">1. Check circuit fuses or breakers.2. Check wall control LED indicator light. If LED is not illuminated when pushing a button, it is not transmitting a signal. Please check battery, power to wall control/circuit breaker and all electrical connections.3. Assure there are no more than 2 fans operating on a circuit through the wall control. Assure that there are no more than 12 fans operating on a circuit through an on/off wall switch or a breaker (not through a wall control).4. Assure that the fan is within range of the wall control (30 ft.).
FAN SOUNDS NOISY	<ol style="list-style-type: none">1. Allow a 24-hour "breaking-in" period. Most noise associated with a new fan will disappear during this time.2. Make sure all motor housing screws are securely fastened.3. Make sure the screws that attach the fan blade to the fan are tight.4. Make sure your ceiling box is secure and rubber isolator pads are used between the mounting bracket and outlet box.
FAN WOBBLER	<ol style="list-style-type: none">1. Check that all blade to motor and blade arm screws are secure.2. If the blade wobble is still noticeable, interchanging two adjacent (side by side) blades can redistribute the weight and possibly result in smoother operation.3. Make sure the mounting plate is securely fastened to the ceiling outlet box.4. Make sure ceiling box is secure.

KUZCO GROUP CEILING FAN LIFETIME LIMITED WARRANTY

Kuzco Group products are warranted against defects in materials and construction, subject to conditions and exclusions, for a period of one (1) year from the date of product shipment to the customer. Kuzco Group warrants the original owner that the motor in the fan will be free from defects for the lifetime of the fan. This warranty does not apply to fans which have been damaged because of improper installation, removed from the original installation or subjected to use for which the fan was not designed. The customer is responsible for any cost of removing the old fan, installing a new fan or any other costs. This limited lifetime warranty is in lieu of all other expressed warranties. Kuzco Group shall not be liable for any incidental or consequential damages.

Below is a detailed list of items warranted:

PART	RESIDENTIAL USE	COMMERCIAL/HOSPITALITY USE
Motor	Lifetime	Lifetime
Integrated LED Components	1 year	1 year
LED Bulbs	1 year	1 year
Blades, Controls, Switches, Capacitors, Hardware	1 year	1 year

What is covered?

- Parts that arrive damaged
- Parts missing from the box
- Parts that do not function properly
- Parts that have ceased proper functioning within warranty limits

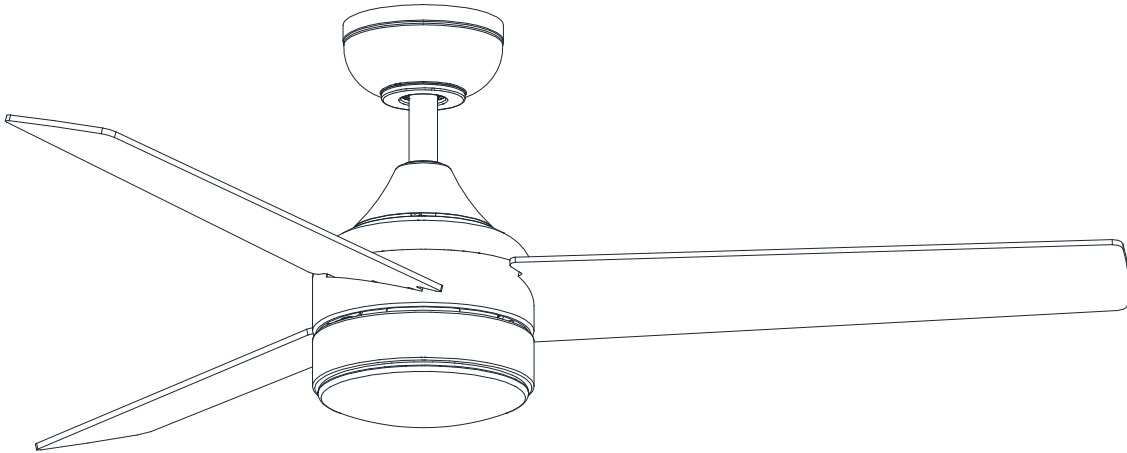
What is not covered?

- Installation costs
- Parts worn down with regular usage
- Parts damaged in installation
- Modified parts
- Parts out of warranty

WARRANTY APPLIES ONLY TO ORIGINAL PURCHASER FROM AN AUTHORIZED KUZCO GROUP DISTRIBUTOR.

kuzco vibe

FICHE D'INSTRUCTIONS DU VENTILATEUR DE PLAFOND NASH



MODÈLE CF0716452



Scannez ce code QR avec votre téléphone pour voir notre vidéo d'installation étape par étape ou visitez <https://kuzcolighting.com/fan-resources>.

TF. 1.855.855.8926 | T. 604 538 7162 | F. 604 538 7196

CANADA: 19054 28th Ave., - Surrey, BC V3Z 6M3

USA: 3035 E. Lone Mountain Rd. - Las Vegas, NV 89081

www.kuzcolighting.com

CETL MODEL NO. CF0716452-XX-LKW
N.W: 5.75KG

INFORMATION DE SÉCURITÉ

1. Pour réduire les risques d'électrocution, assurez-vous que le courant est coupé au disjoncteur ou au panneau électrique avant de commencer.
2. Tout le câblage doit être conforme aux normes électriques nationales et locales. L'installation électrique doit être effectuée par un électricien qualifié et agréé.
3. **ATTENTION : Lisez attentivement toutes les instructions et les consignes de sécurité avant d'installer votre nouveau ventilateur. Consultez les schémas de montage fournis.**
4. **AVERTISSEMENT : Pour réduire les risques d'électrocution et d'incendie, n'utilisez pas ce ventilateur avec un variateur de vitesse électronique.**
5. **AVERTISSEMENT : Pour réduire les risques d'incendie, d'électrocution ou de blessures, fixez le ventilateur sur une boîte de sortie homologuée UL portant la mention « supporte un ventilateur de 15,9 kg (35 lb) ou moins » et utilisez les vis de fixation fournies. La plupart des boîtes de sortie utilisées pour les luminaires ne conviennent pas aux ventilateurs et pourraient avoir besoin d'être remplacées. Compte tenu de la complexité de l'installation de ce ventilateur, il est fortement recommandé de faire appel à un électricien qualifié et agréé.**
6. **AVERTISSEMENT : Pour réduire les risques d'incendie, d'électrocution ou de blessures. N'utilisez pas de pièces de rechange non recommandées par le fabricant (par exemple, des pièces fabriquées à la maison à l'aide d'une imprimante 3D).**
7. Le ventilateur doit être installé à une hauteur libre minimale de 2,3 m entre le bord de fuite des pales et le sol. La distance entre le bout d'une pale et le mur ou l'obstacle le plus proche doit être de 76 cm (30 pouces).
8. **AVERTISSEMENT : Ne placez aucun objet sur le passage des pales.**
9. Pour éviter toute blessure ou tout dommage au ventilateur et aux objets environnants, soyez prudent lorsque vous travaillez à proximité du ventilateur ou que vous le nettoyez.
10. N'utilisez ni eau ni détergent pour nettoyer le ventilateur ou ses pales. Un linge sec ou légèrement humide convient à la plupart des nettoyages.
11. Après avoir fait les branchements électriques, pointez les conducteurs épissés vers le haut et insérez-les délicatement dans la boîte de sortie. Les fils doivent être espacés de manière à ce que le conducteur de mise à la terre et le conducteur de mise à la terre de l'équipement soient du même côté de la boîte de sortie.
12. Les schémas électriques sont fournis à titre indicatif uniquement. Les ensembles d'éclairage qui ne sont pas fournis avec le ventilateur doivent être homologués UL et cUL et compatibles avec le modèle de ventilateur installé. Les interrupteurs doivent être homologués UL et cUL pour usage général. Consultez les instructions fournies avec les trousseaux d'éclairage et les interrupteurs pour un assemblage correct.
13. N'attendez pas que le ventilateur s'arrête complètement avant d'appuyer sur le bouton d'inversion. Le ventilateur ne s'inversera pas s'il est à l'arrêt.
14. **AVERTISSEMENT : Si vous observez un mouvement d'oscillation anormal, cessez immédiatement d'utiliser le ventilateur de plafond et contactez le fabricant, son service après-vente ou une personne qualifiée.**
15. La boîte de sortie et la structure de support doivent être solidement fixées et capables de supporter un poids minimum de 15,9 kg (35 lb). Utilisez uniquement des boîtes de sortie homologuées UL portant la mention « compatible avec un ventilateur de 15,9 kg (35 lb) ou moins ».
16. Le montage du système de suspension doit être effectué par le fabricant, son service après-vente ou une personne qualifiée.
17. Le remplacement des pièces du système de suspension de sécurité doit être effectué par le fabricant, son service après-vente ou une personne qualifiée.

AVERTISSEMENT : POUR RÉDUIRE LE RISQUE DE BLESSURES CORPORELLES, NE PLIER PAS LES BRAS DE LAMES (ÉGALEMENT APPELÉS BRIDES) LORS DE L'INSTALLATION DES SUPPORTS, DE L'ÉQUILIBRAGE DES LAMES OU DU NETTOYAGE DU VENTILATEUR.

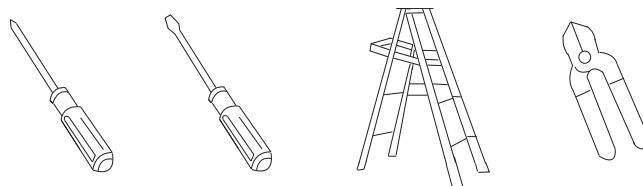
LISEZ ET CONSERVEZ CES INSTRUCTIONS.

TABLE DES MATIÈRES

- Sécurité
- Outils nécessaires
- Quincaillerie incluse
- Contenu de l'emballage
- Assemblage du ventilateur
- Raccords électriques
- Installation des pales du ventilateur
- Installation du kit d'éclairage
- Commande murale
- Fonctionnement
- Entretien et nettoyage
- Dépannage
- Renseignements sur la garantie

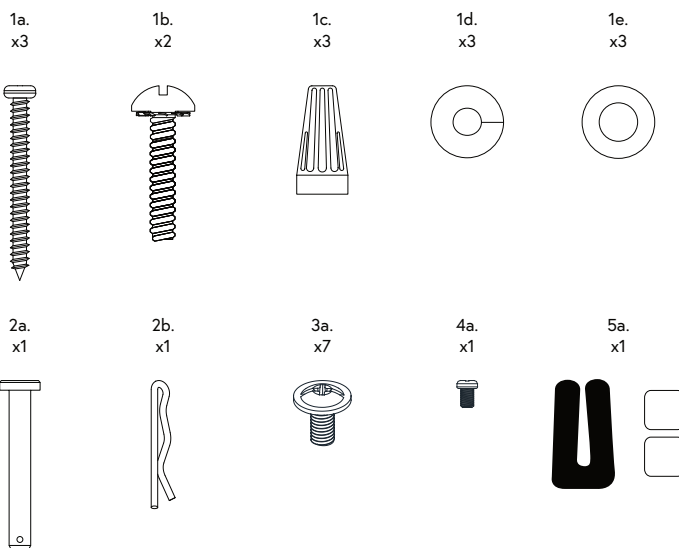
OUTILS NÉCESSAIRES

- Tournevis cruciforme
- Tournevis à tête plate
- Escabeau
- Coupe-fil

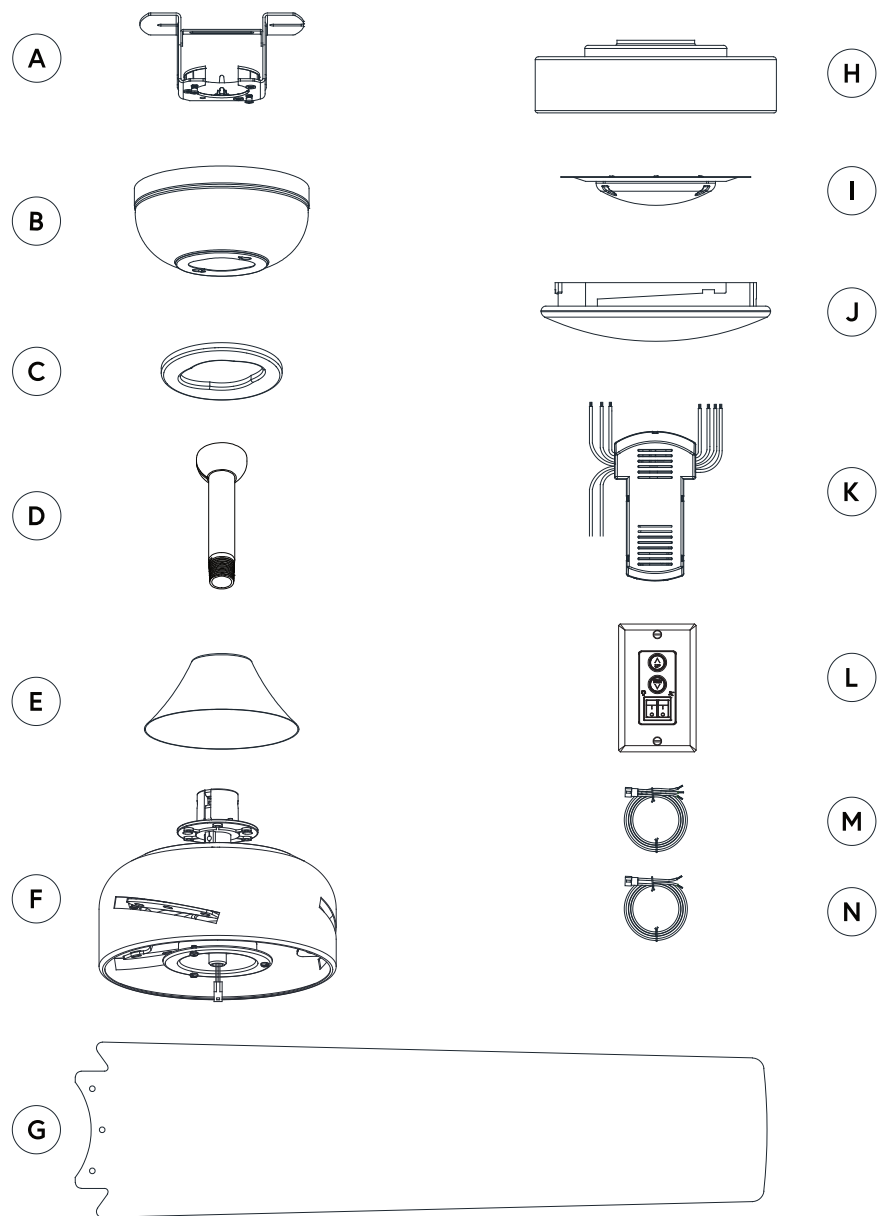


MATÉRIEL INCLUS

- Matériel de montage du support
 - les vis à bois **(1a)**
 - des vis **(1b)**
 - serre-fils **(1c)**
 - rondelles de blocage **(1d)**
 - rondelles plates **(1e)**
- Matériel de montage du ventilateur
 - axe de chape **(2a)**
 - goupille fendue **(2b)**
- Vis lame-moteur **(3a)**
- Clé hexagonale **(4a)**
- Kit d'équilibre **(5a)**



CONTENU DE L'EMBALLAGE



Partie	Description	Quantité
A	Support de fixation	1
B	Canopée	1
C	Cache-vis de la canopée	1
D	Ensemble rotule/tige de suspension	1
E	Cache d'accouplement	1
F	Moteur de ventilateur	1
G	Pale	3
H	Plateau d'éclairage	1

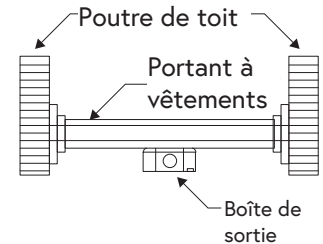
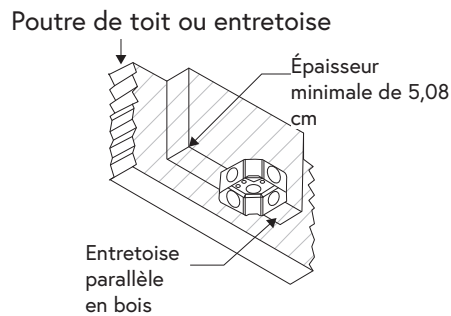
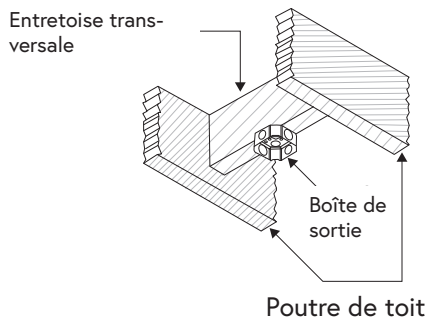
Partie	Description	Quantité
I	Ensemble DEL	1
J	Abat-jour incassable	1
K	Récepteur	1
L	Télécommande murale	1
M	Câble d'alimentation	1
N	Câble d'alimentation	1

PRÉPARATION DU MATÉRIEL DE MONTAGE

OPTIONS DE MONTAGE DE BOÎTE DE SORTIE

S'il n'existe pas de boîtier de montage octogonal homologué UL marqué « Acceptable pour le support de ventilateur », suivez les instructions ci-dessous. (**RAPPEL** : une boîte de jonction électrique destinée à être utilisée avec des luminaires n'est pas acceptable pour cette application)

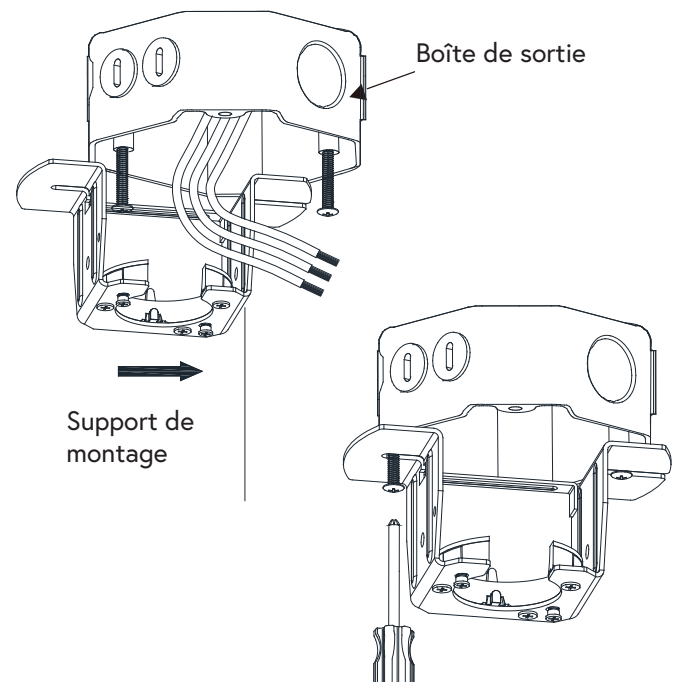
- Avant de commencer à installer le boîtier de montage, coupez l'alimentation au niveau du disjoncteur de la boîte à fusibles.
- Fixez le boîtier directement à la structure du bâtiment. Les figures ci-dessous montrent 3 exemples de méthodes.



INSTALLATION DU SUPPORT DE SUSPENSION

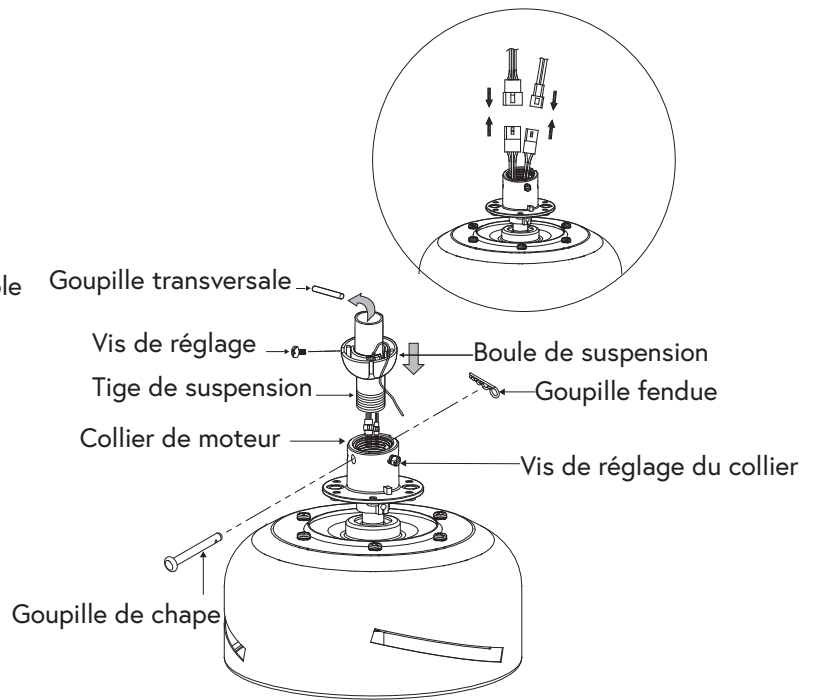
PRUDENCE : POUR ÉVITER TOUT RISQUE DE CHOC ÉLECTRIQUE, ASSUREZ-VOUS QUE L'ÉLECTRICITÉ EST COUPÉE AU NIVEAU DU BOÎTIER D'ALIMENTATION PRINCIPAL AVANT LE CÂBLAGE. TOUT LE CÂBLAGE DOIT ÊTRE CONFORME AUX CODES ÉLECTRIQUES NATIONAUX ET LOCAUX ET LE VENTILATEUR DE PLAFOND DOIT ÊTRE MIS À LA TERRE PAR MESURE DE PRÉCAUTION CONTRE UN ÉVENTUEL CHOC ÉLECTRIQUE.

1. Desserrez légèrement les deux vis du boîtier de sortie, puis fixez le support de montage sur le boîtier en le faisant glisser sur les deux vis, comme illustré.
2. Placez le support de montage et serrez la vis de blocage.
3. Serrez fermement les deux vis de fixation.



PRÉPARATION DU MOTEUR

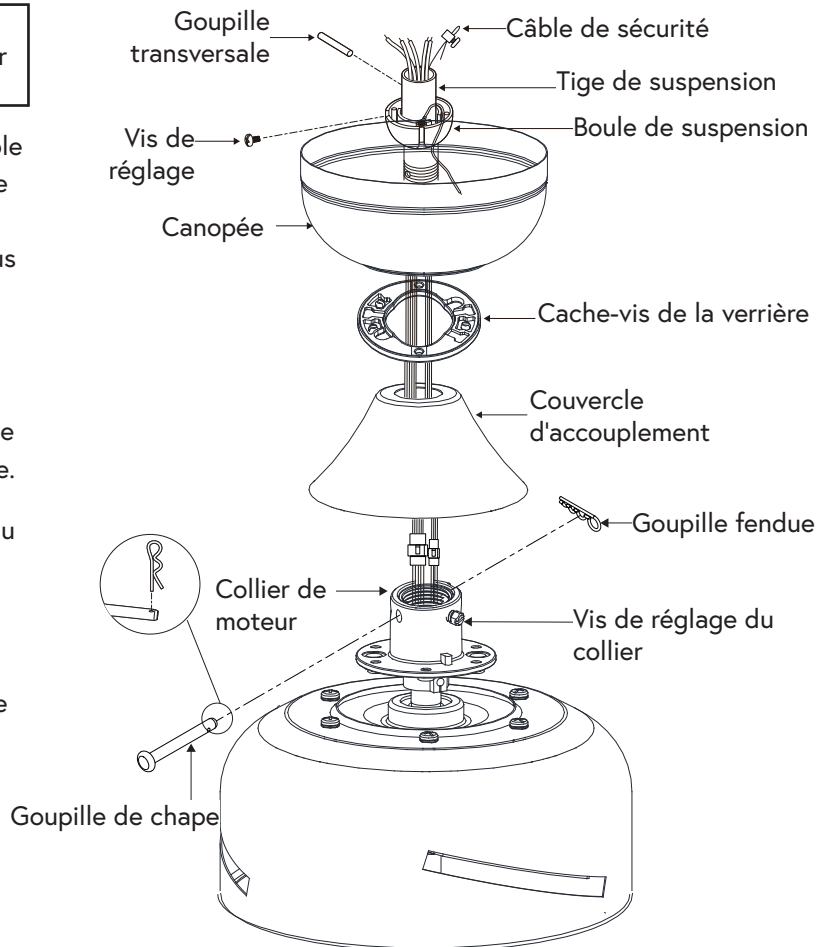
1. Branchez les fils de la rallonge aux fils du moteur.
Assurez-vous que les connecteurs rapides sont bien serrés.
2. Desserrez les vis de fixation du collier du moteur.
3. Retirez la vis de fixation située dans la boule de suspension, abaissez la boule et retirez la goupille transversale. Retirez la boule de suspension de l'ensemble boule/tige.



ASSEMBLAGE DU VENTILATEUR

AVERTISSEMENT : Si la goupille fendue n'est pas correctement installée, le ventilateur pourrait se desserrer et éventuellement tomber.

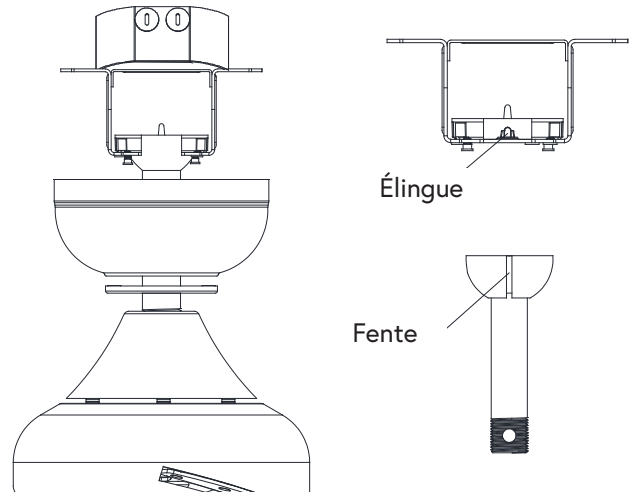
1. Faites passer soigneusement les fils du moteur et le câble de sécurité à travers la tige de suspension. Vissez la tige de suspension dans le collier jusqu'à ce que les trous au bas de la tige de suspension soient alignés avec les trous du collier.
2. Insérez soigneusement l'axe de chape dans les trous du collier et de la tige de suspension. Insérez la goupille fendue dans le trou, près de l'extrémité de l'axe de chape jusqu'à ce qu'elle s'enclenche dans sa position verrouillée.
3. Glissez le couvercle d'accouplement, le couvercle à vis du pavillon et le pavillon sur la tige de suspension.
4. Réinstallez soigneusement la boule de suspension sur la tige de suspension. En vous assurant que la goupille transversale est dans la bonne position, la vis de réglage est serrée et les fils ne sont pas tordus.



SUSPENDRE LE VENTILATEUR

AVERTISSEMENT : La languette de l'anneau doit reposer dans la rainure de l'ensemble boule de suspension/tige de suspension. Le fait de ne pas insérer correctement la languette dans la rainure pourrait endommager le câblage.

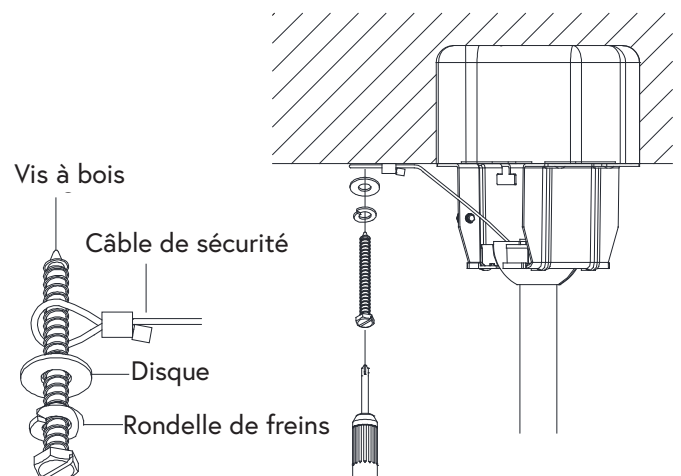
1. Soulevez délicatement l'ensemble moteur de ventilateur jusqu'au support de montage et placez l'ensemble boule de suspension/tige de suspension dans la douille du support de montage. Assurez-vous que la languette de la douille du support de montage est correctement positionnée dans la rainure de l'ensemble boule de suspension/tige de suspension. Cela aidera à équilibrer le ventilateur de plafond.



INSTALLATION DU SUPPORT DE CÂBLE DE SÉCURITÉ

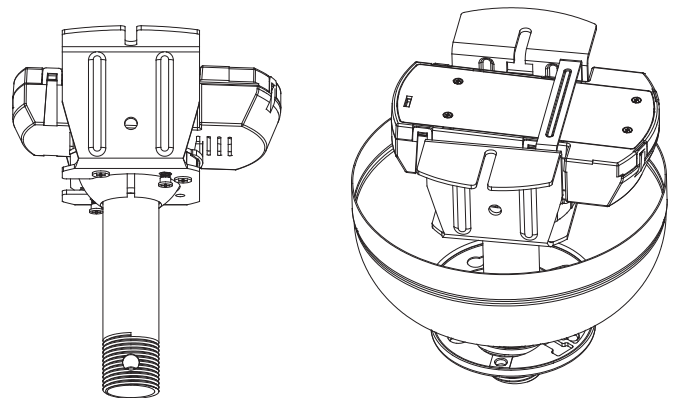
REMARQUE : Si vous installez le câble de sécurité du support secondaire aux États-Unis, ne retirez pas les ouvertures défonçables dans la boîte de prise.

1. Pour une installation au Canada et pour les combinaisons de ventilateurs et d'éclairage aux États-Unis pesant plus de 35 lb, en modes affleurant et avec tige descendante, le câble de sécurité doit être installé dans les poutres de la structure de la maison à l'aide de tire-fonds de 3", de rondelles et de rondelles de blocage fournies. Assurez-vous que lorsque le câble de sécurité est complètement étendu, les fils conducteurs sont plus longs que le câble et qu'aucune contrainte n'est exercée sur les fils conducteurs.



INSTALLATION DU RÉCEPTEUR

1. Coloque los cables de suministro de la casa a un lado del soporte de montaje deslizante; Coloque los cables del ventilador en el lado opuesto.
2. Inserte el receptor (como se muestra, con el lado plano hacia el techo) en el soporte de montaje deslizante hasta que descansa sobre el conjunto de bola/barra bajante.



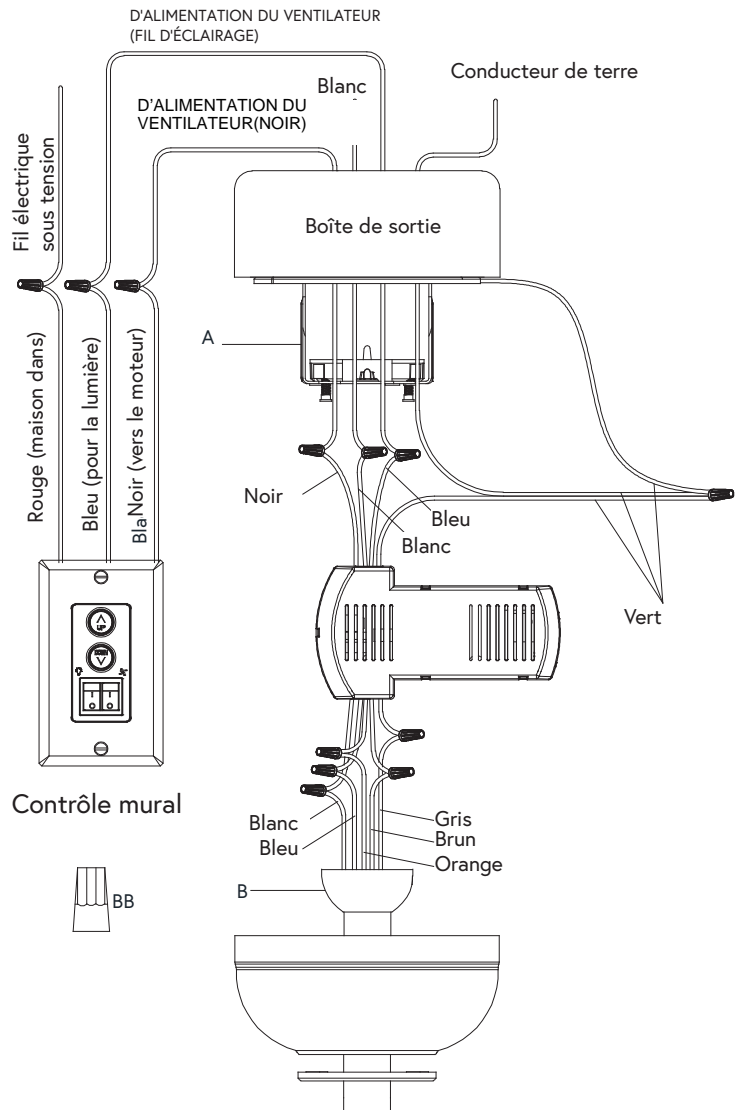
AVERTISSEMENT : Pour éviter tout risque de choc électrique, assurez-vous que l'électricité est coupée au niveau de la boîte à fusibles principale avant l'installation.

AVERTISSEMENT : Vérifiez que toutes les connexions sont bien serrées, y compris la terre, et qu'aucun fil dénudé n'est visible au niveau des serre-fils, à l'exception du fil de terre.

PRUDENCE : Pour réduire le risque de choc électrique, ce ventilateur doit être installé avec une commande/interrupteur mural isolant à usage général.

NOTE : La télécommande doit être installée à moins de 30 pieds du ventilateur.

- Effectuez les connexions filaires du ventilateur au récepteur. Pour cette étape utilisez le faisceau de 5 fils sur le récepteur. Fixez-le avec les connecteurs fournis.
 - Connectez le fil **BLEU** du ventilateur au fil **BLEU** du récepteur.
 - Connectez le fil **BLANC** du ventilateur au fil **BLANC** du récepteur.
 - Connectez le fil **ORANGE** du ventilateur au fil **ORANGE** du récepteur.
 - Connectez le fil du ventilateur **BRUN** au fil du récepteur **BRUN**.
 - Connectez le fil **GRIS** du ventilateur au fil **GRIS** du récepteur.
- Branchez le câblage du plafond au récepteur. Utilisez pour cela le faisceau de 4 fils du récepteur. Fixez-le avec les connecteurs fournis.
 - Branchez le fil **D'ALIMENTATION DU VENTILATEUR (NOIR)** au fil **NOIR** du récepteur.
 - Connecte el cable neutro **BLANC** al **BLANC** du récepteur .
 - Branchez le fil **D'ALIMENTATION DU VENTILATEUR (FIL D'ÉCLAIRAGE)** au fil neutre **Bleu** du récepteur.
 - Connectez le fil de terre du bâtiment en **CUIVRE** aux 2 fils de terre **VERTS** du ventilateur et du récepteur.

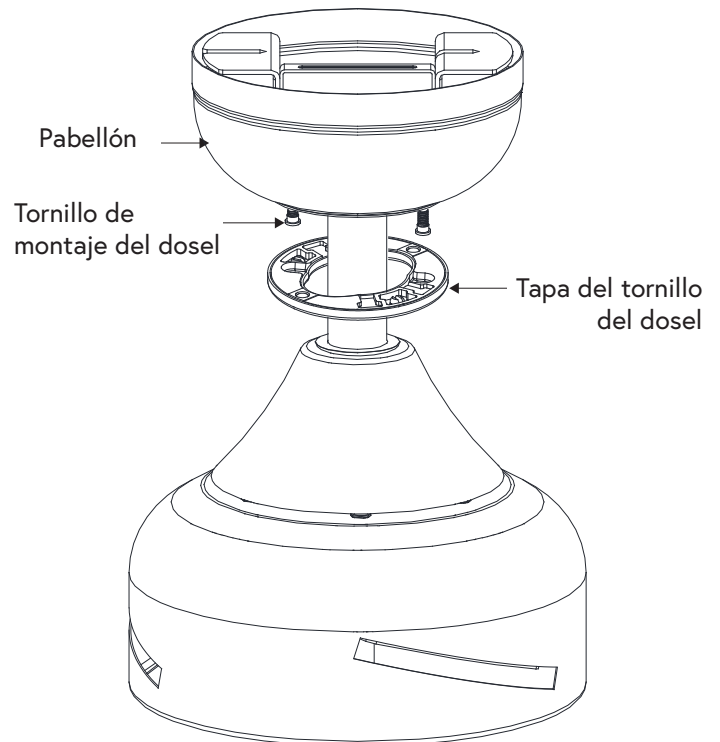
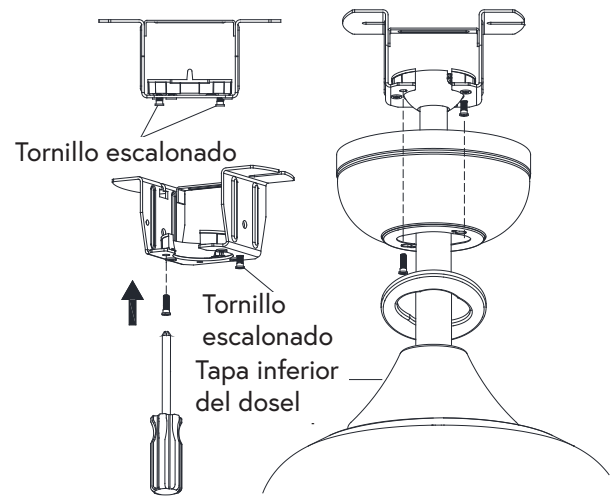


INSTALLATION DE LA VERRIÈRE

AVERTISSEMENT : Lors de l'utilisation du montage standard à bille/tige de suspension, la languette de l'anneau au bas du support de montage doit reposer dans la rainure de la boule de suspension. Le fait de ne pas insérer correctement la languette dans la rainure pourrait endommager le câblage.

NOTE : L'aimant est pré-attaché sur le couvercle inférieur de l'auvent pour que vous puissiez le retirer et l'installer facilement.

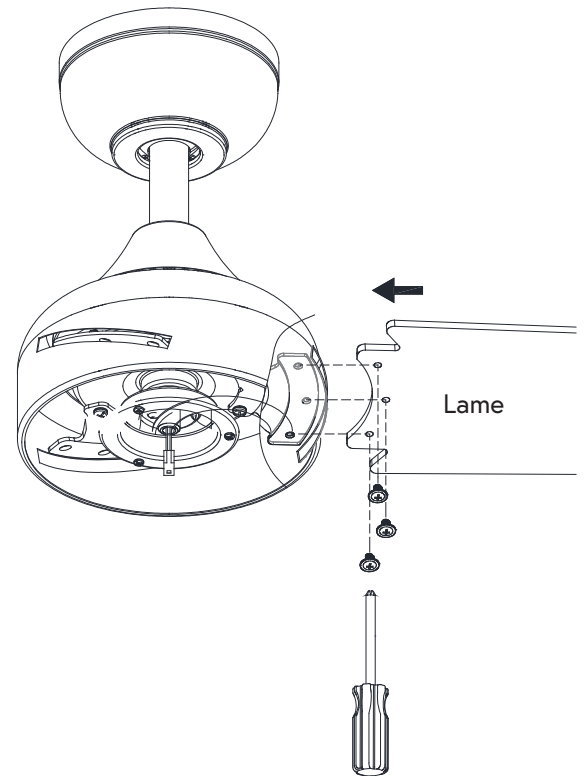
1. Afloparcialmente uno y retire un tornillo de paso premontado del soporte de montaje (no retire el otro Fijar los tornillos). Guardar el tornillo.
2. La cubierta del ascensor hacia arriba, alinela randa del agujero de la cerrcon el tornillo de paso premontado en el soporte de montaje y girar en el sentido de las agujas del reloj para bloquear en su lugar. Vuelva a instalar el tornillo del otro paso y apriete los tornillos de forma segura.
3. Fije la tapa inferior del dosel en la tapa alinesus agujeros con los tornillos de paso en el soporte de montaje y fijarlo con el imán abrazado en la tapa.



INSTALLATION DES PALES DU VENTILATEUR

REMARQUE: Les pales de votre ventilateur sont réversibles. Choisissez la finition qui mettra le mieux en valeur votre décoration.

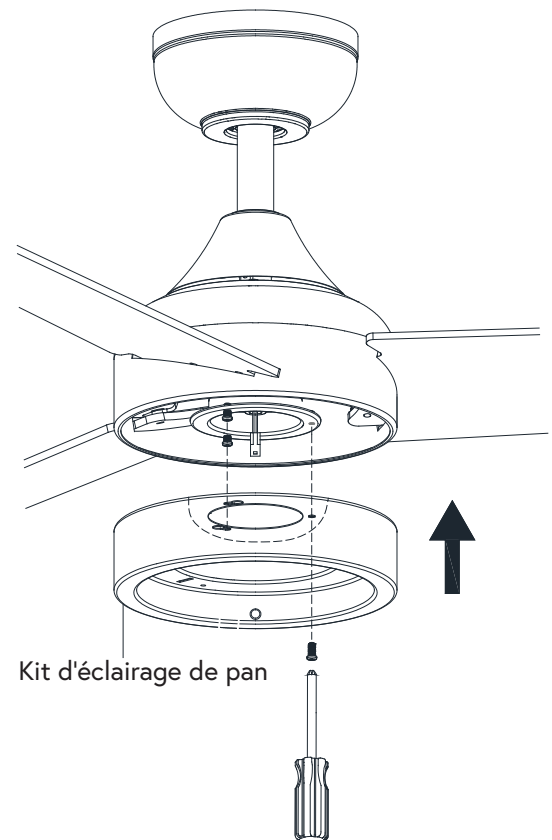
1. Insérez la lame dans la fente du volant moteur.
2. Fixez la lame à l'aide des vis fournies, en alignant les trous comme indiqué, puis serrez fermement toutes les vis.
3. Répétez cette opération pour les autres lames.



INSTALLATION DU KIT D'ÉCLAIRAGE

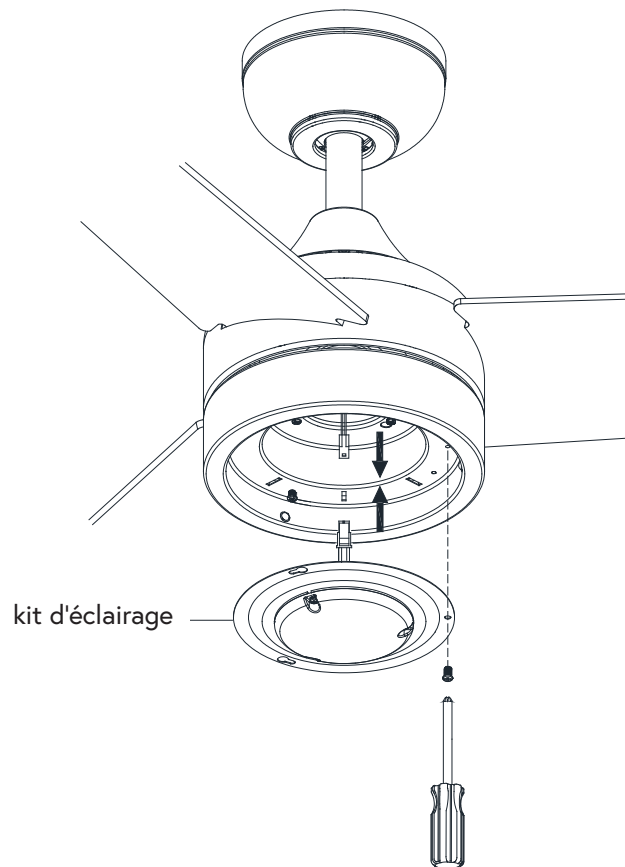
PRUDENCE: Pour réduire les risques d'électrocution, débranchez le circuit d'alimentation électrique du ventilateur avant d'installer le kit d'éclairage.

1. Desserrez deux des trois vis de fixation du moteur du ventilateur sans les enlever complètement ; enlevez la troisième vis.
2. Poussez le couvercle du kit d'éclairage contre le moteur du ventilateur de manière à ce que les têtes des deux vis desserrées s'insèrent dans les encoches prévues à cet effet. Tournez le couvercle du kit d'éclairage dans le sens horaire et serrez les vis.
3. Remplacez la vis enlevée à l'étape 1 et serrez-la fermement.



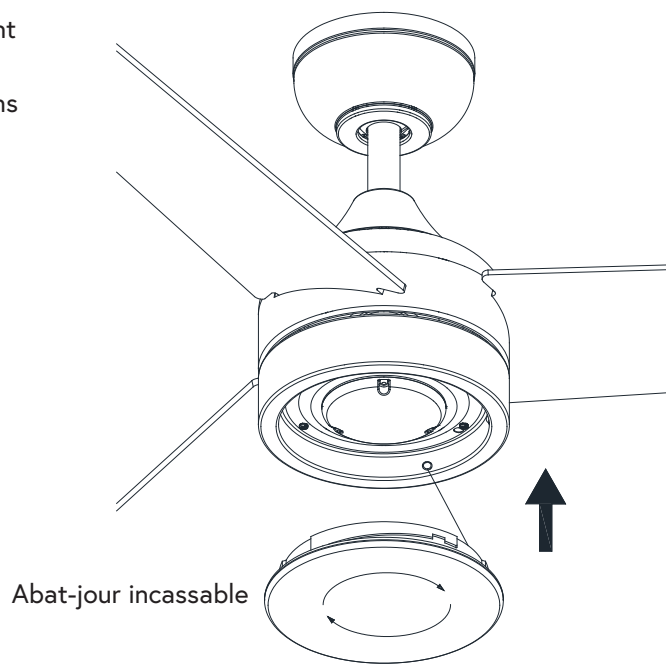
INSTALLATION DE L'ASSEMBLAGE DEL

1. Retirez une vis du support d'éclairage et desserrez les deux autres sans les enlever complètement.
2. Branchez les fils du support d'éclairage à ceux du moteur du ventilateur en assemblant les connecteurs moulés. Rangez soigneusement tous les fils et les épissures dans le capuchon de l'interrupteur.
3. Poussez le support d'éclairage vers le haut de façon à ce que les têtes des deux vis desserrées s'insèrent dans les encoches.
4. Tournez le support d'éclairage dans le sens des aiguilles d'une montre, puis serrez les vis. Remplacez la vis retirée à l'étape 1 et serrez-la fermement.



INSTALLATION D'OMBRAGE

1. Placez l'abat-jour dans le bac du kit d'éclairage, en alignant les trois zones plates sur le dessus de l'abat-jour avec les trois creux en relief du bac. Tournez l'abat-jour dans le sens des aiguilles d'une montre jusqu'à ce qu'il s'arrête.



PRÉPARATION DU CONTRÔLE MURAL

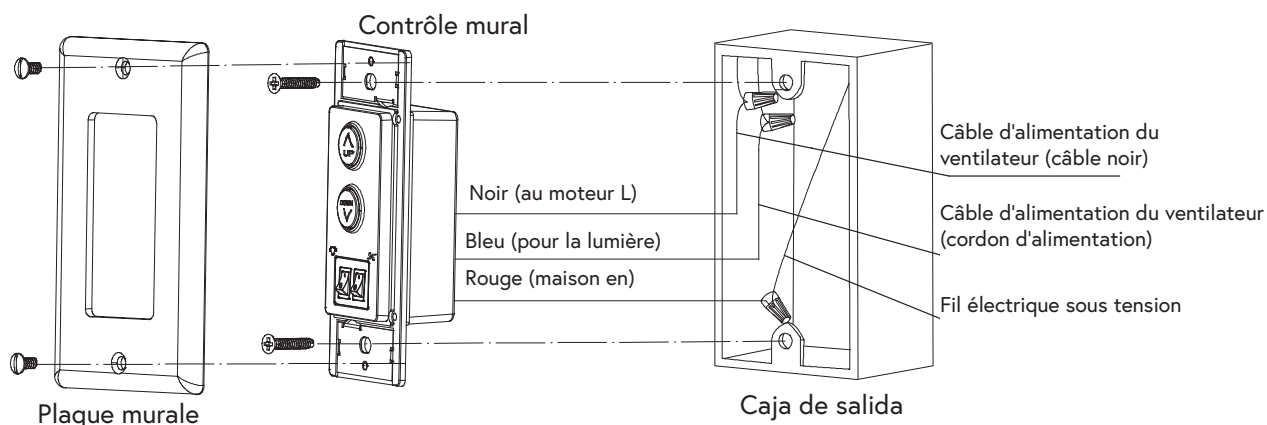
1. Après avoir coupé le courant au tableau électrique principal, enlevez la plaque murale et l'interrupteur existants.
2. Branchez le fil NOIR de la commande murale au fil d'alimentation du ventilateur (fil noir).
3. Branchez le fil BLEU de la commande murale au fil d'alimentation du ventilateur (fil d'éclairage).
4. Branchez le fil ROUGE de la commande murale au FIL PHASE.
5. Isolez chaque connecteur avec du ruban isolant, puis insérez soigneusement chaque faisceau de fils dans la boîte de sortie.
6. Placez la commande murale sur la boîte de sortie et fixez-la avec les vis.
7. Placez la plaque murale sur la commande et fixez-la avec les vis.
8. Rétablissez le courant au disjoncteur.

AVERTISSEMENT: Avant de continuer, assurez-vous de couper le courant au niveau de l'interrupteur principal ou du disjoncteur afin d'éviter une décharge électrique.

REMARQUE: Avant d'installer la commande murale, assurez-vous qu'elle est en position OFF.

REMARQUE: Utilisez les connecteurs fournis avec votre ventilateur. Fixez les connecteurs avec du ruban isolant, en vous assurant qu'aucun fil ne soit desserré ou que les connexions ne soient endommagées.

REMARQUE: Si les fils NOIR et BLEU de la commande murale sont mal branchés, le ventilateur de plafond ne fonctionne pas.



FONCTIONNEMENT - COMMANDE MURALE

CONTRÔLE MURAL

VITESSE DU VENTILATEUR

Appuyez sur le bouton HAUT pour augmenter la vitesse du ventilateur.

Appuyez sur le bouton BAS pour diminuer la vitesse du ventilateur.

DIRECTION DES PARTISANS

Maintenez le bouton HAUT enfoncé pendant 3 secondes jusqu'à entendre un bip, indiquant que le ventilateur est en marche arrière.

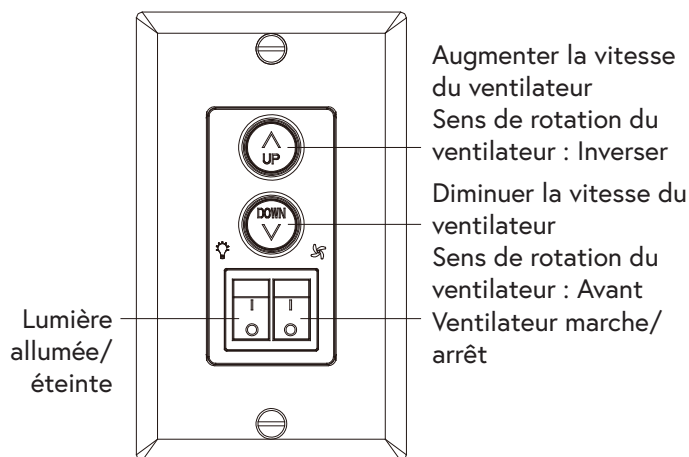
Maintenez le bouton BAS enfoncé pendant 3 secondes jusqu'à entendre un bip, indiquant que le ventilateur est en marche avant.

FAN ON/OFF

Appuyez sur l'interrupteur du ventilateur et relâchez-le pour allumer ou éteindre le ventilateur.

VENTILATEUR MARCHÉ/ARRÊT

Appuyez sur l'interrupteur et relâchez-le pour allumer ou éteindre la lumière.

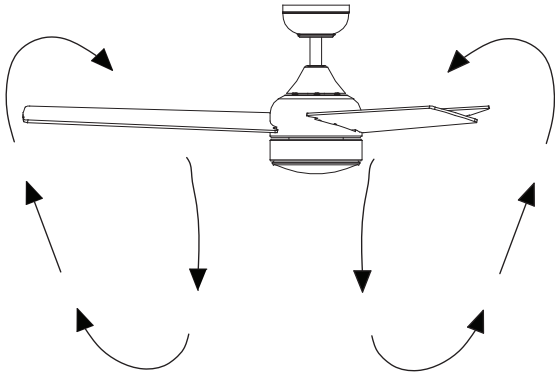


Fonctionnement en mode été et en mode hiver

Les réglages de vitesse par temps chaud ou froid dépendent de facteurs tels que la taille de la pièce, la hauteur du plafond et le nombre de ventilateurs.

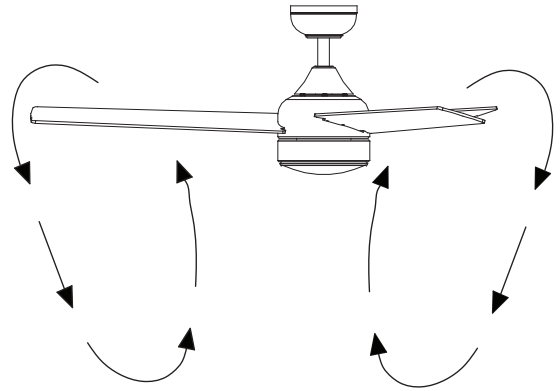
Mode été (avant) :

Un flux d'air VERS LE BAS crée un effet de refroidissement. Cela vous permet de régler votre climatiseur sur un réglage plus chaud sans affecter votre confort.



Mode hiver (inverse) :

Un flux d'air VERS LE HAUT déplace l'air plus chaud hors de la zone du plafond. Cela vous permet de régler votre appareil de chauffage sur une température plus froide sans affecter votre confort.



ENTRETIEN ET NETTOYAGE

- Périodiquement, il peut être nécessaire de resserrer les vis de la lame sur le bras de lame ou sur les vis du bras de lame sur le moteur pour éviter un clic ou un bourdonnement pendant le fonctionnement. Cela est particulièrement vrai dans les climats caractérisés par de larges plages de température et d'humidité.
- Lorsque vous dépoussiérez les lames, vous devez soutenir la lame pour éviter de la plier – aucune pression ne doit être appliquée sur les lames. Si vous rencontrez des défauts dans le fonctionnement de votre ventilateur, veuillez vérifier les points suivants.

DÉPANNAGE

PROBLÈME

SOLUTION

LE VENTILATEUR NE DÉMARRE PAS

1. Vérifiez les fusibles ou les disjoncteurs du circuit.
2. Vérifiez le voyant LED de la commande murale. Si la LED ne s'allume pas lorsque vous appuyez sur un bouton, elle ne transmet pas de signal. Veuillez vérifier la batterie, l'alimentation de la commande murale/du disjoncteur et toutes les connexions électriques.
3. Assurez-vous qu'il n'y a pas plus de 2 ventilateurs fonctionnant sur un circuit via la commande murale. Assurez-vous qu'il n'y a pas plus de 12 ventilateurs fonctionnant sur un circuit via un interrupteur mural marche/arrêt ou un disjoncteur (pas via une commande murale).
4. Assurez-vous que le ventilateur est à portée de la commande murale (30 pieds).

LE VENTILATEUR SEMBLE BRUYANT

1. Prévoir une période de « rodage » de 24 heures. La plupart des bruits associés à un nouveau ventilateur disparaîtront pendant cette période.
2. Assurez-vous que toutes les vis du boîtier du moteur sont solidement serrées.
3. Assurez-vous que les vis qui fixent la pale du ventilateur au ventilateur sont bien serrées.
4. Assurez-vous que votre boîtier de plafond est sécurisé et que des coussinets isolants en caoutchouc sont utilisés entre le support de montage et la boîte de sortie.

LES VENTILATEURS VACILLENENT

1. Vérifiez que toutes les vis de la lame sur le moteur et sur le bras de la lame sont bien fixées.
2. Si l'oscillation de la lame est toujours perceptible, l'échange de deux lames adjacentes (côte à côte) peut redistribuer le poids et éventuellement entraîner un fonctionnement plus fluide.
3. Assurez-vous que la plaque de montage est solidement fixée au boîtier de sortie au plafond.
4. Assurez-vous que le boîtier de plafond est sécurisé.

GARANTIE LIMITÉE À VIE DU VENTILATEUR DE PLAFOND DU GROUPE KUZCO

Les produits du Groupe Kuzco sont garantis contre les défauts de matériaux et de construction, sous réserve de conditions et d'exclusions, pour une période d'un (1) an à compter de la date d'expédition du produit au client. Kuzco Group garantit au propriétaire d'origine que le moteur du ventilateur sera exempt de défauts pendant toute la durée de vie du ventilateur. Cette garantie ne s'applique pas aux ventilateurs qui ont été endommagés en raison d'une mauvaise installation, retirés de l'installation d'origine ou soumis à une utilisation pour laquelle le ventilateur n'a pas été conçu. Le client est responsable de tous les frais liés au retrait de l'ancien ventilateur, à l'installation d'un nouveau ventilateur ou à tout autre coût. Cette garantie à vie limitée remplace toutes les autres garanties exprimées. Kuzco Group ne sera pas responsable de tout dommage accidentel ou consécutif.

Vous trouverez ci-dessous une liste détaillée des éléments garantis :

PARTIE	USAGE RÉSIDENTIEL	UTILISATION COMMERCIALE/HOSPITALIÈRE
Moteur	Durée de vie	Durée de vie
Composants DEL intégrés	1 an	1 an
Ampoules DEL	1 an	1 an
Lames, commandes, interrupteurs, condensateurs, quincaillerie	1 an	1 an

Qu'est-ce qui est couvert ?

- Pièces arrivées endommagées
- Pièces manquantes dans la boîte
- Pièces qui ne fonctionnent pas correctement
- Pièces qui ont cessé de fonctionner correctement dans les limites de la garantie

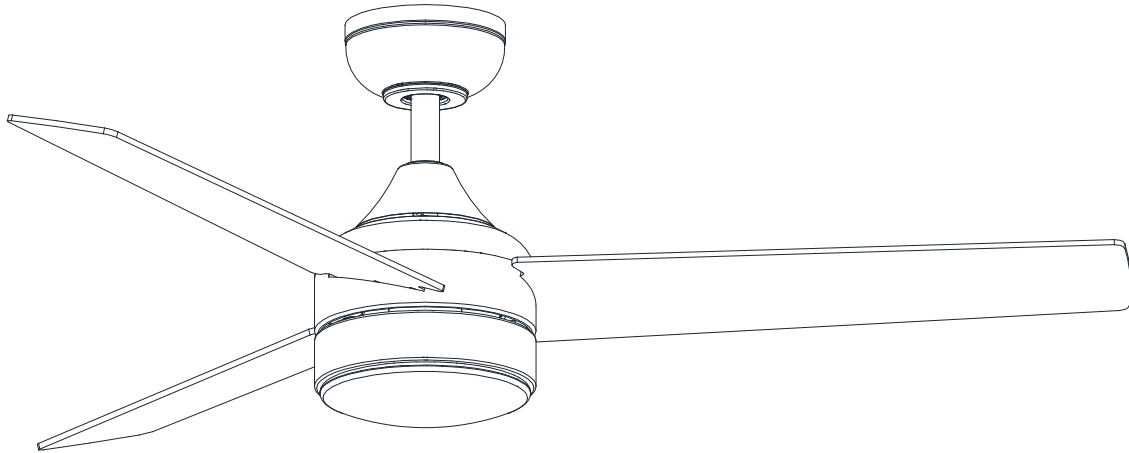
Qu'est-ce qui n'est pas couvert ?

- Frais d'installation
- Pièces usées par une utilisation régulière
- Pièces endommagées lors de l'installation
- Pièces modifiées
- Pièces hors garantie

LA GARANTIE S'APPLIQUE UNIQUEMENT À L'ACHETEUR ORIGINAL D'UN DISTRIBUTEUR AUTORISÉ DU GROUPE KUZCO.

kuzco vibe

INSTRUCCIONES DEL VENTILADOR DE TECHO NASH



MODELO CF0716452



Escanee este código QR con su teléfono para ver nuestro video de instalación paso a paso o visite <https://kuzcolighting.com/fan-resources>.

TF. 1.855.855.8926 | T. 604 538 7162 | F. 604 538 7196

CANADA: 19054 28th Ave., - Surrey, BC V3Z 6M3

USA: 3035 E. Lone Mountain Rd. - Las Vegas, NV 89081

www.kuzcolighting.com

CETL MODELO NUM. CF0716452-XX-LKW
N.W: 5.75KG

INFORMACIÓN DE SEGURIDAD

1. Para reducir el riesgo de descarga eléctrica, asegúrese de que la electricidad esté desconectada en el disyuntor o la caja de fusibles antes de comenzar.
2. Todo el cableado debe cumplir con el Código Eléctrico Nacional y los códigos eléctricos locales. La instalación eléctrica debe ser realizada por un electricista calificado y con licencia.
3. **PRECAUCIÓN: Lea todas las instrucciones e información de seguridad antes de instalar su nuevo ventilador. Revise los diagramas de montaje adjuntos.**
4. **ADVERTENCIA: Para reducir el riesgo de descarga eléctrica e incendio, no utilice este ventilador con ningún dispositivo de control de velocidad de estado sólido.**
5. **ADVERTENCIA: Para reducir el riesgo de incendio, descarga eléctrica o lesiones personales, monte el ventilador en una caja de conexiones con certificación UL marcada como "apta para soportar ventiladores de 15,9 kg (35 lb) o menos" y utilice los tornillos de montaje proporcionados con la caja de conexiones. La mayoría de las cajas de conexiones que se utilizan habitualmente para soportar luminarias no son aptas para soportar ventiladores y es posible que deban reemplazarse. Debido a la complejidad de la instalación de este ventilador, se recomienda encarecidamente la contratación de un electricista calificado y con licencia.**
6. **ADVERTENCIA: Para reducir el riesgo de incendio, descarga eléctrica o lesiones personales, no utilice piezas de repuesto que no hayan sido recomendadas por el fabricante (por ejemplo, piezas fabricadas en casa con una impresora 3D).**
7. El ventilador debe montarse con una distancia mínima de 2,3 m desde el borde posterior de las aspas hasta el suelo. La distancia desde la punta del aspa del ventilador hasta la pared/obstrucción más cercana: 30 pulgadas.
8. **ADVERTENCIA: Evite colocar objetos en la trayectoria de las aspas.**
9. Para evitar lesiones personales o daños al ventilador y otros objetos, tenga cuidado al trabajar cerca del ventilador o al limpiarlo.
10. No utilice agua ni detergentes para limpiar el ventilador o las aspas. Un paño seco para quitar el polvo o un paño ligeramente humedecido será suficiente para la mayoría de las limpiezas.
11. Después de realizar las conexiones eléctricas, los conductores empalmados deben girarse hacia arriba y empujarse con cuidado hacia la caja de conexiones. Los cables deben separarse con el conductor de tierra y el conductor de puesta a tierra del equipo a un lado de la caja de conexiones.
12. Los diagramas eléctricos son solo de referencia. Los kits de iluminación que no vienen incluidos con el ventilador deben tener la certificación UL y cUL y estar marcados como aptos para su uso con el modelo de ventilador que está instalando. Los interruptores deben ser interruptores de uso general con certificación UL y cUL. Consulte las instrucciones incluidas con los kits de iluminación y los interruptores para un montaje correcto.
13. No espere a que el ventilador se detenga antes de presionar el botón de inversión de giro. El ventilador no cambiará de dirección si no está en movimiento.
14. **ADVERTENCIA: Si se observa un movimiento oscilatorio inusual, deje de usar el ventilador de techo inmediatamente y comuníquese con el fabricante, su agente de servicio o personal debidamente cualificado.**
15. La caja de conexiones y la estructura de soporte deben estar firmemente instaladas y ser capaces de soportar de forma segura un mínimo de 15,9 kg (35 lb). Utilice únicamente cajas de conexiones con certificación UL marcadas como "aptas para soportar ventiladores de 15,9 kg (35 lb) o menos".
16. La instalación del sistema de suspensión debe ser realizada por el fabricante, su agente de servicio o personal debidamente cualificado.
17. El reemplazo de las piezas del dispositivo del sistema de suspensión de seguridad debe ser realizado por el fabricante, su agente de servicio o personal debidamente cualificado.

ADVERTENCIA: PARA REDUCIR EL RIESGO DE LESIONES PERSONALES, NO DOBLE LOS BRAZOS DE LAS ASPAS (TAMBIÉN CONOCIDOS COMO BRIDAS), AL INSTALAR LOS SOPORTES, EQUILIBRAR LAS ASPAS O LIMPIAR EL VENTILADOR.

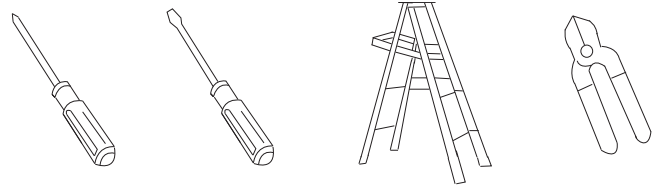
LEA Y GUARDE ESTAS INSTRUCCIONES.

TABLA DE CONTENIDOS

- Seguridad | ventilador
- Herramientas necesarias
- Herrajes incluidos
- Contenido del paquete
- Conjunto del ventilador
- Conexiones eléctricas
- Instalación de las aspas del ventilador
- Kit de iluminación de instalación
- Control de pared
- Operación
- Cuidado y limpieza;
- Solución de problemas;
- Información sobre la garantía

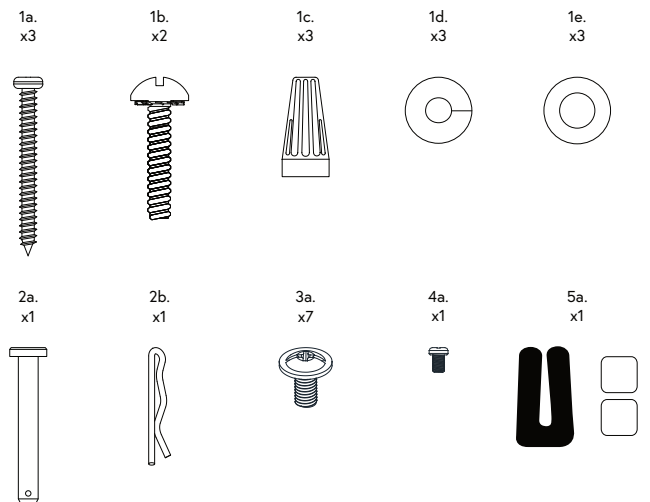
HERRAMIENTAS NECESARIAS

- Destornillador estrella
- Destornillador de cabeza plana
- Escalera
- Cortador de cables

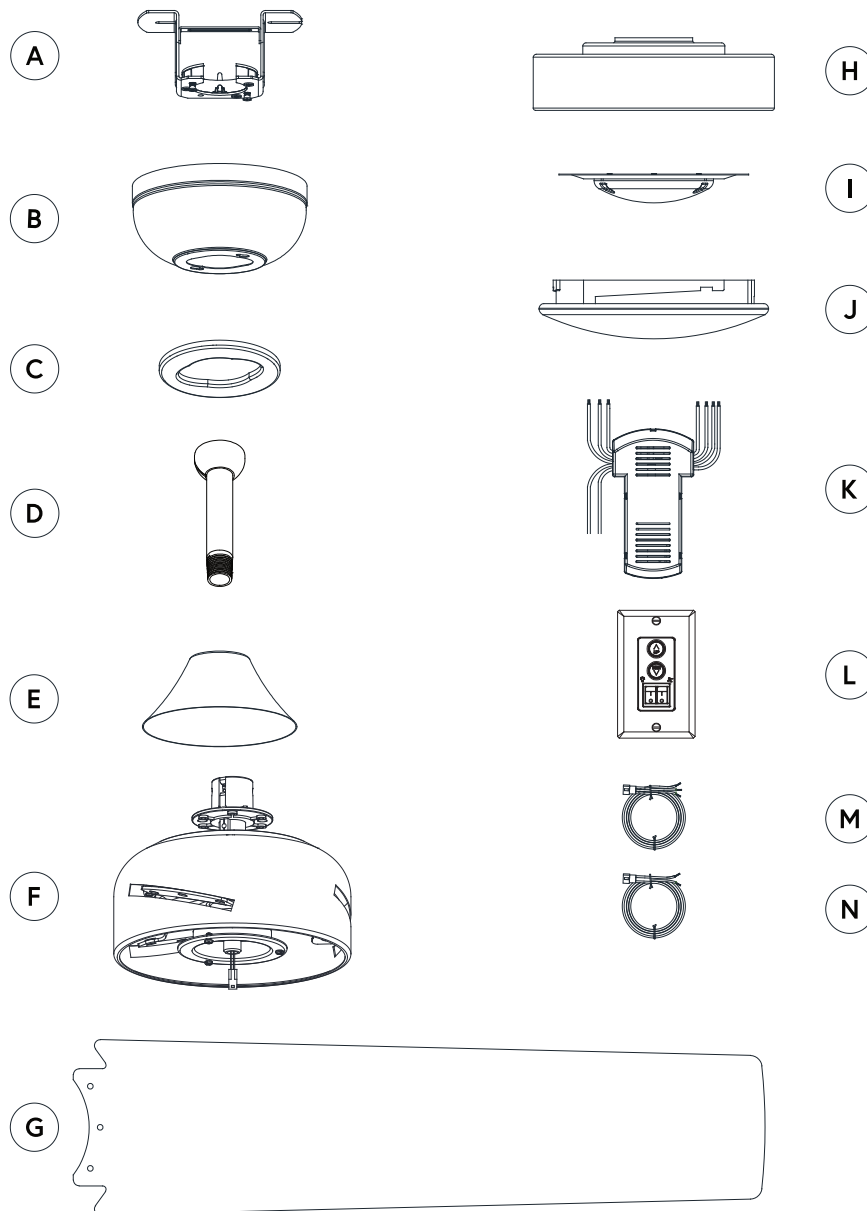


HERRAJES INCLUIDOS

- Hardware de montaje del soporte
 - tornillos para madera **(1a)**
 - tornillos **(1b)**
 - tuercas para cables **(1c)**
 - arandelas de seguridad **(1d)**
 - arandelas planas **(1e)**
- Accesorios para montaje del ventilador
 - pasador de horquilla **(2a)**
 - pasador de chaveta **(2b)**
- Tornillos de las aspas **(3a)**
- Llave hexagonal **(4a)**
- Equipo de equilibrio **(5a)**



PACKAGE CONTENTS



Pieza	Descripción	Quantity
A	Soporte de montaje	1
B	Cubierta	1
C	Tapa de tornillos de la cubierta	1
D	Conjunto de bola de suspensión/ varilla	1
E	Tapa de acoplamiento	1
F	Motor del ventilador	1
G	Aspa	3
H	Panel de luz	1

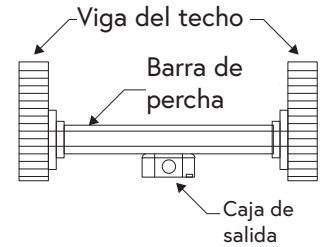
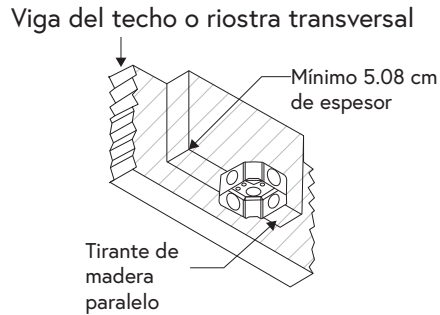
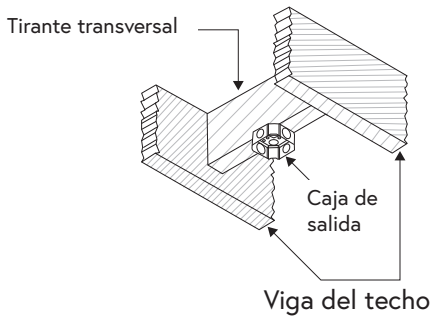
Pieza	Descripción	Quantity
I	Conjunto de LED	1
J	Pantalla resistente a roturas	1
K	Receptor	1
L	Control remoto de pared	1
M	Cable conductor	1
N	Cable conductor	1

ASSEMBLAGE DU VENTILATEUR - PRÉPARATION DU MATÉRIEL DE MONTAGE

OPCIONES DE MONTAJE DE CAJA ELÉCTRICA

Si no existe una caja de montaje octogonal listada por UL marcada como "Aceptable para soporte de ventilador", siga las instrucciones a continuación. (RECORDATORIO: una caja de conexiones eléctricas para uso con luminarias no es aceptable para esta aplicación)

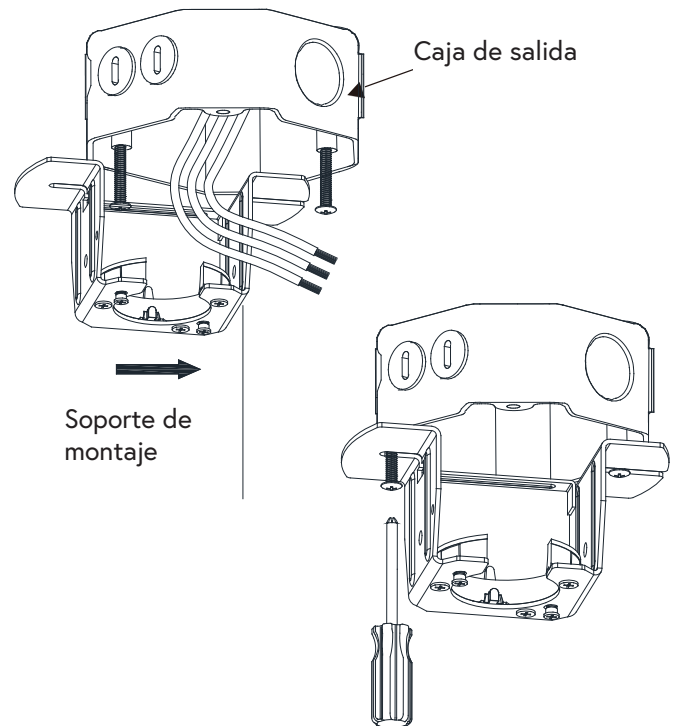
- Antes de comenzar a instalar la caja de montaje, corte la energía en el disyuntor de la caja de fusibles.
- Asegure la caja directamente a la estructura del edificio. Las siguientes figuras muestran 3 métodos de ejemplo.



INSTALACIÓN DEL SOPORTE PARA COLGAR

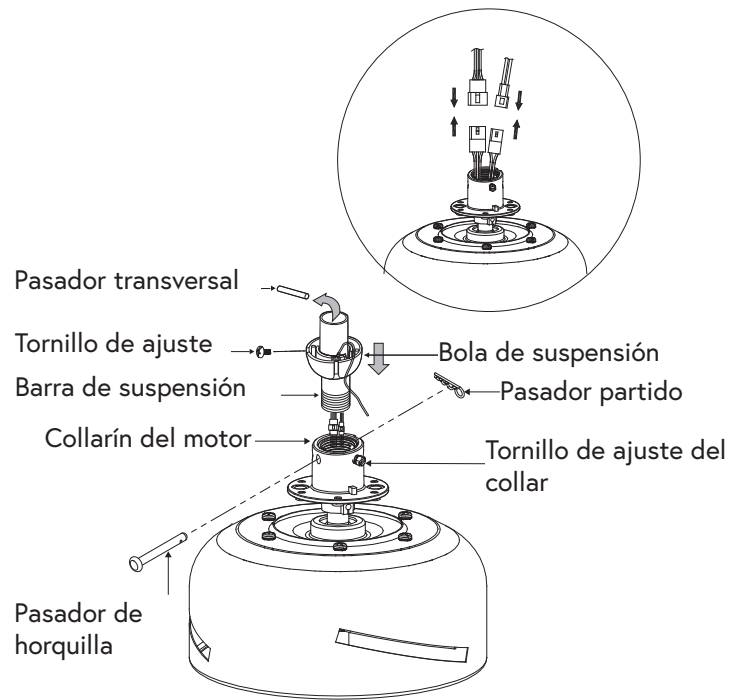
CAUTION: PARA EVITAR POSIBLES DESCARGAS ELÉCTRICAS, ASEGÚRESE DE QUE LA ELECTRICIDAD ESTÉ APAGADA EN LA CAJA DE ALIMENTACIÓN PRINCIPAL ANTES DE REALIZAR EL CABLEADO. TODO EL CABLEADO DEBE ESTAR DE ACUERDO CON LOS CÓDIGOS ELÉCTRICOS NACIONALES Y LOCALES Y EL VENTILADOR DE TECHO DEBE ESTAR CONECTADO A TIERRA COMO MEDIDA DE PRECAUCIÓN CONTRA POSIBLES DESCARGAS ELÉCTRICAS.

1. Afloje parcialmente los dos tornillos de la caja de salida y fije el soporte de montaje a la caja de salida deslizándolo sobre los dos tornillos, como se muestra en la ilustración.
2. Coloque el soporte de montaje en su posición y apriete el tornillo de fijación.
3. Apriete firmemente los dos tornillos de montaje.



PREPARACIÓN DEL MOTOR

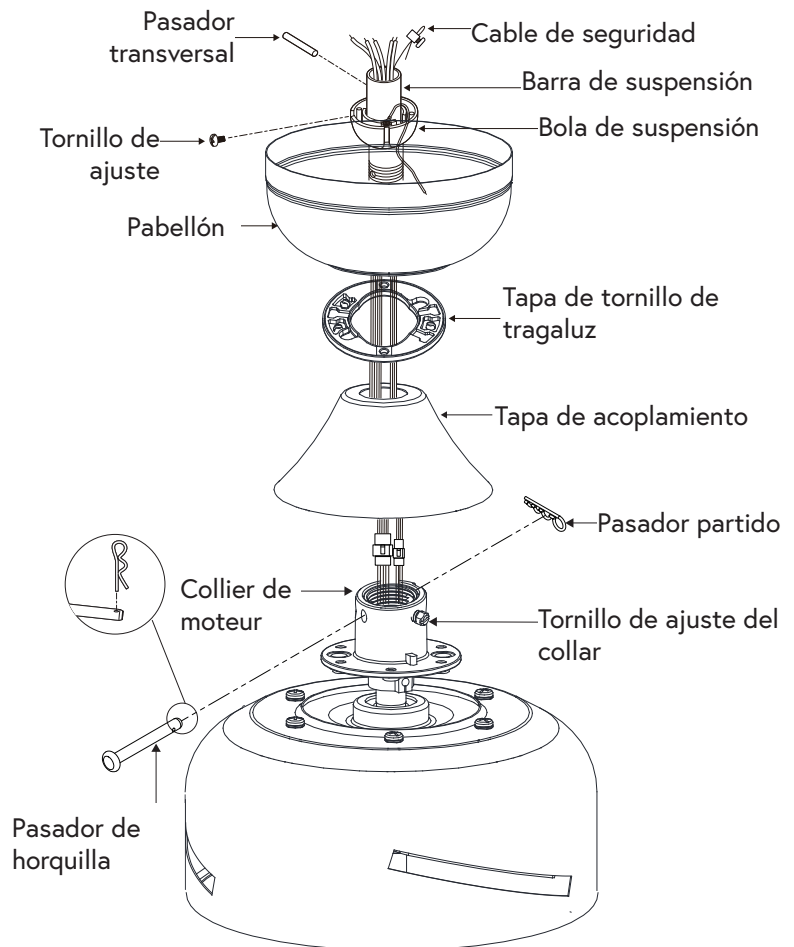
1. Conecte los cables del cable de extensión a los cables del motor. Asegúrese de que los conectores rápidos estén bien sujetos.
2. Afloje los tornillos de fijación del collar del motor.
3. Retire el tornillo de fijación ubicado en la rótula de suspensión, baje la rótula de suspensión y retire el pasador transversal. Retire la rótula de suspensión del conjunto de rótula/barra de soporte.



MONTAJE DEL VENTILADOR

ADVERTENCIA: Si no se instala correctamente el pasador de claveta, el ventilador podría aflojarse y posiblemente caerse.

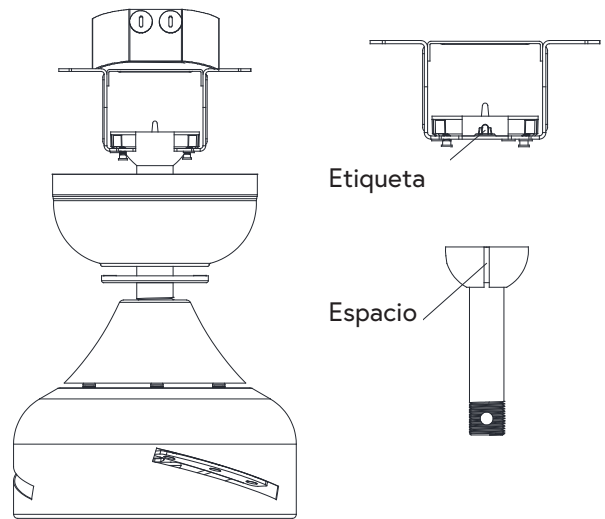
1. Pase con cuidado los cables del motor y el cable de seguridad por la varilla. Enrosque la varilla en el collarín hasta que los orificios de la parte inferior de la varilla se alineen con los del collarín.
2. Inserte con cuidado el pasador de horquilla por los orificios del collarín y la varilla. Introduzca el pasador de claveta por el orificio, cerca del extremo del pasador de horquilla, hasta que encaje en su posición.
3. Deslice la tapa del acoplamiento, la tapa del tornillo de la cubierta y la cubierta sobre la varilla.
4. Vuelva a instalar con cuidado la bola de suspensión en la varilla. Asegúrese de que el pasador transversal esté en la posición correcta, el tornillo de fijación esté apretado y los cables no estén torcidos.



COLGAR EL VENTILADOR

ADVERTENCIA: La lengüeta del anillo debe descansar en la ranura del conjunto de bola de suspensión/barra bajante. No asentar correctamente la pestaña en la ranura podría causar daños al cableado.

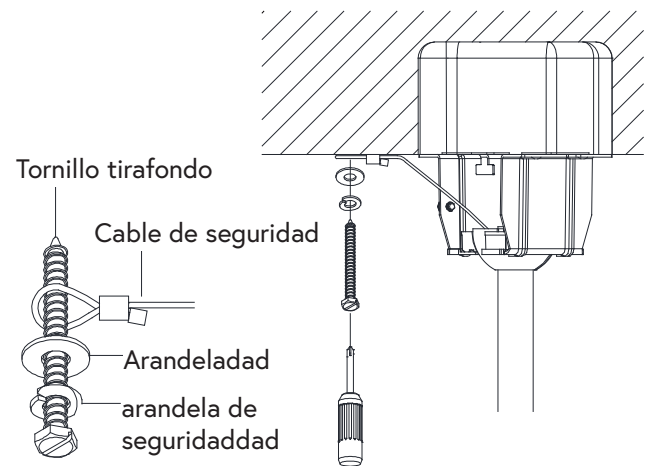
1. Soulevez délicatement le bloc moteur du ventilateur jusqu'au support de fixation et insérez l'ensemble rotule/tige de suspension dans son logement. Assurez-vous que la languette du logement du support de fixation est bien enclenchée dans la rainure de l'ensemble rotule/tige de suspension. Cela permettra d'équilibrer le ventilateur de plafond.



INSTALACIÓN DEL SOPORTE DEL CABLE DE SEGURIDAD

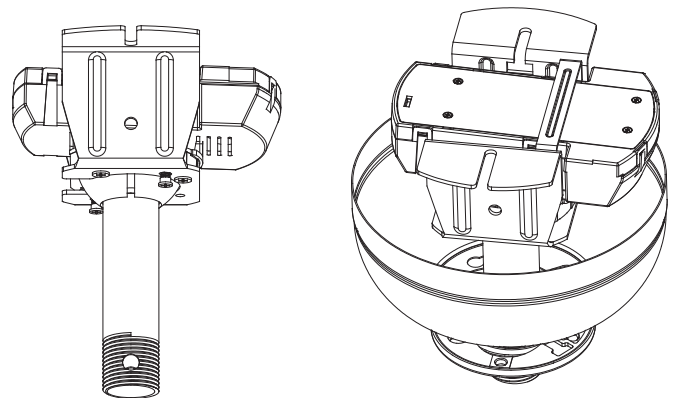
NOTA: Si instala el cable de seguridad de soporte secundario en los EE. UU., no retire los orificios ciegos de la caja eléctrica.

1. Para instalaciones en Canadá y para combinaciones de ventiladores y luces en EE. UU. de más de 16 kg (35 lb), tanto en modo empotrado como con varilla, el cable de seguridad debe instalarse en las vigas de la estructura de la casa utilizando tirafondos de 7,6 cm, arandelas y arandelas de seguridad incluidas. Asegúrese de que, cuando el cable de seguridad esté completamente extendido, los cables conductores sean más largos que el cable y no se les aplique tensión.



INSTALACIÓN DEL RECEPTOR

1. Coloque los cables de alimentación de la casa a un lado del soporte de montaje deslizable; coloque los cables del ventilador al lado opuesto.
2. Inserte el receptor (como se muestra, con el lado plano hacia el techo) en el soporte de montaje deslizable hasta que descansa sobre el conjunto de bola y varilla bajante.



CONEXIONES ELÉCTRICAS - RECEPCIÓN DE ELECTRICIDAD

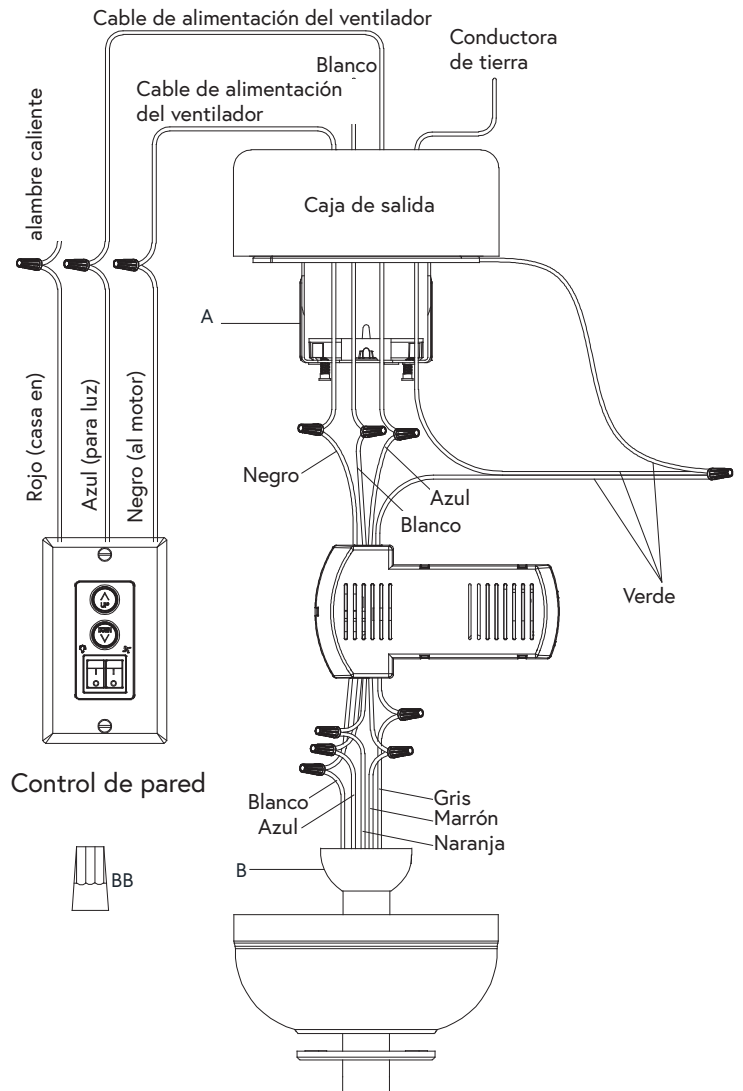
ADVERTENCIA: Para evitar posibles descargas eléctricas, asegúrese de que la electricidad esté apagada en la caja de fusibles principal antes de la instalación.

ADVERTENCIA: Verifique que todas las conexiones estén apretadas, incluida la tierra, y que no se vea ningún cable pelado en las tuercas para cables, excepto el cable de tierra.

PRECAUCIÓN: Para reducir el riesgo de descarga eléctrica, este ventilador debe instalarse con un control/interruptor de pared aislante de uso general.

NOTA: El control debe instalarse a menos de 30 pies del ventilador.

1. Conecte los cables del ventilador a la unidad receptora. Para este paso, utilice el conjunto de 5 cables del receptor. Asegúrelos con los conectores de cables suministrados.
 - Conecte el cable **AZUL** del ventilador al cable **AZUL** del receptor.
 - Conecte el cable **BLANCO** del ventilador al cable **BLANCO** del receptor.
 - Conecte el cable **NARANJA** del ventilador al cable **NARANJA** del receptor.
 - Conecte el cable **MARRÓN** del ventilador al cable **MARRÓN** del receptor.
 - Conecte el cable **GRIS** del ventilador al cable **GRIS** del receptor.
2. Conecte el cableado del techo a la unidad receptora. Para este paso, utilice el conjunto de 4 cables de la unidad receptora. Asegúrelos con los conectores de cables suministrados.
 - Conecte el **CABLE DE ALIMENTACIÓN DEL VENTILADOR (CABLE NEGRO)** al cable **NEGRO** del receptor.
 - Conecte el cable **Blanco** de construcción blanca a El cable del receptor **Blanco**.
 - Conecte el **Fuente de alimentación del ventilador (cable de luz)** a la Cable **Azul** del receptor..
 - Conecte el cable de tierra de **COBRE** de la instalación eléctrica a los dos cables de tierra **VERDES** del receptor.

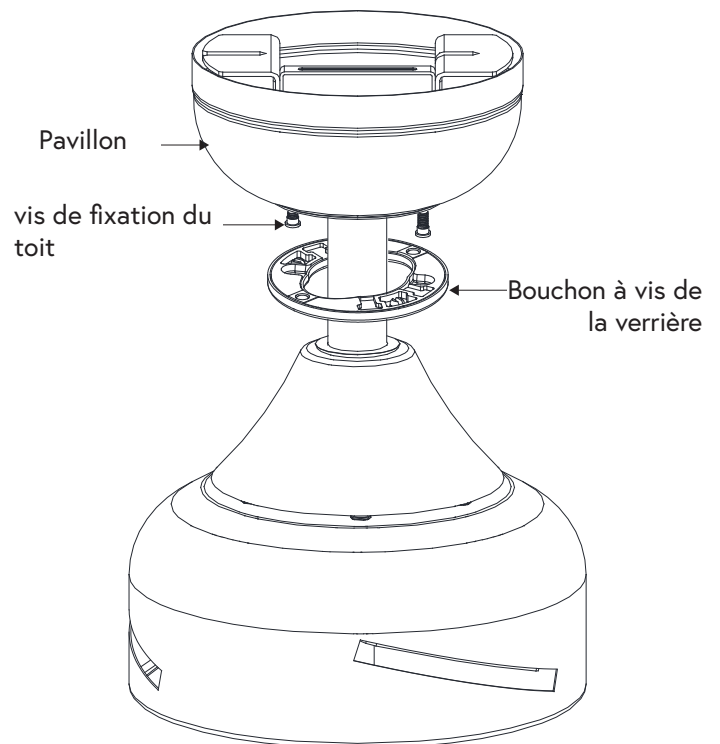
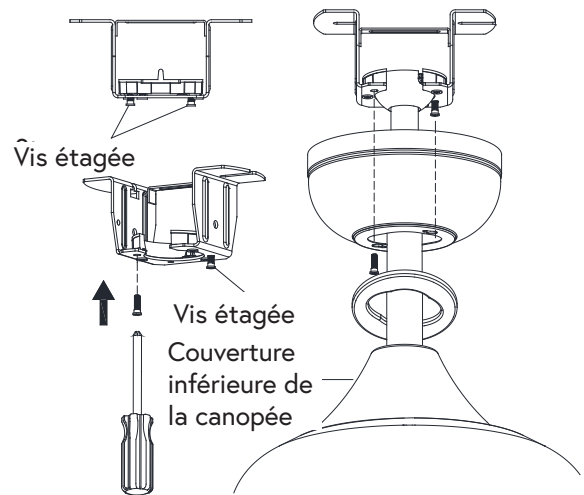


INSTALACIÓN DE LA CUBIERTA

ADVERTENCIA: Cuando se utiliza el montaje estándar de bola/barra bajante, la lengüeta en el anillo en la parte inferior del soporte de montaje debe descansar en la ranura de la bola de suspensión. No asentar correctamente la pestaña en la ranura podría causar daños al cableado.

NOTA: El imán está preinstalado en la cubierta inferior del dosel para que pueda quitarlo e instalarlo fácilmente.

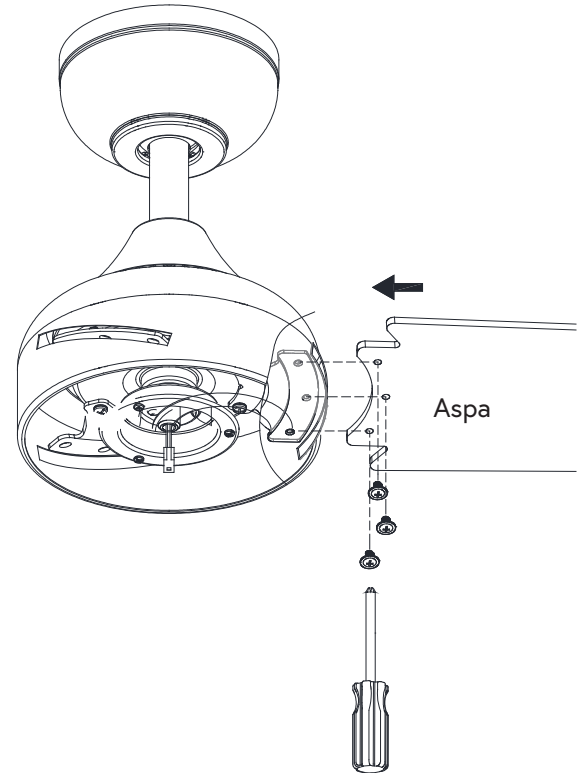
1. Desserrez partiellement une vis de fixation préassemblée et retirez-la du support (ne retirez pas les autres vis). Gardez la vis.
2. Soulevez la verrière en alignant son encoche avec la vis de fixation préassemblée du support et tournez dans le sens des aiguilles d'une montre pour la verrouiller. Remplacez l'autre vis de fixation et serrez-les fermement.
3. Fixez le capuchon inférieur de la verrière en alignant ses trous avec les vis de fixation du support et en le fixant à l'aide de l'aimant intégré.



INSTALACIÓN DE LAS ASPAS

NOTA: Las aspas de su ventilador son reversibles.
Seleccione el acabado que mejor realce su decoración.

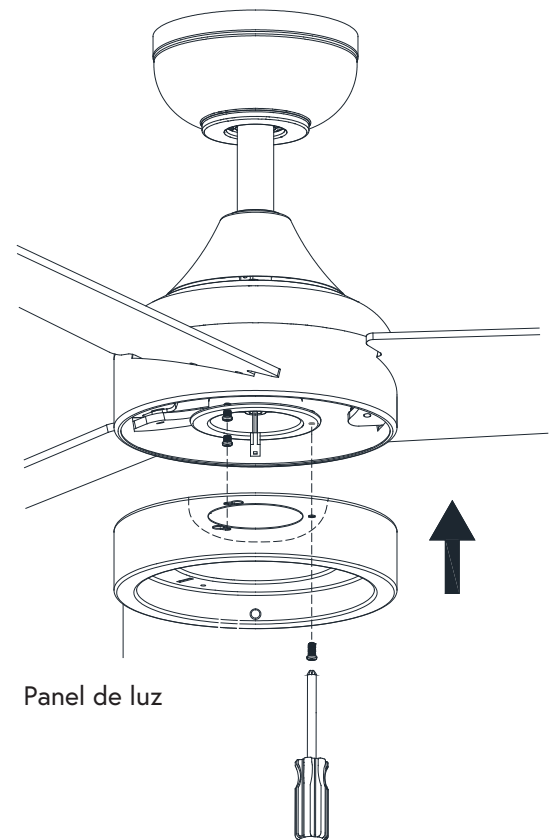
1. Inserte la aspa en la ranura del volante.
2. Instale la aspa con los tornillos proporcionados, alineando cada orificio como se muestra y apriételos firmemente.
3. Repita este proceso con las aspas restantes.



INSTALACIÓN DEL LUZ PAN

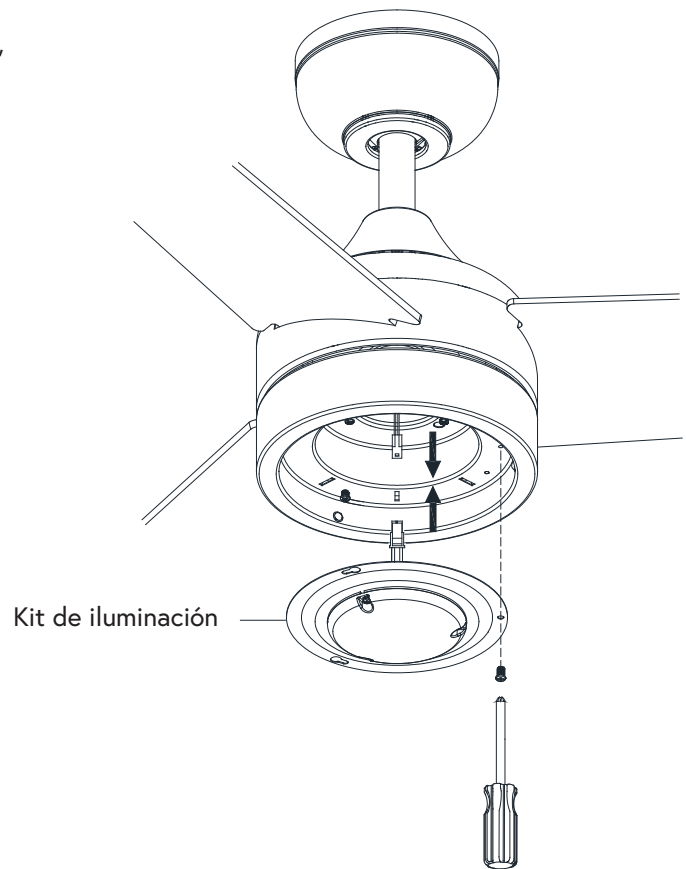
PRECAUCIÓN: Para reducir el riesgo de descarga eléctrica, desconecte el circuito de suministro eléctrico del ventilador antes de instalar el kit de iluminación.

1. Afloje, pero no retire, dos de los tres tornillos de montaje del conjunto del motor del ventilador. Retire un tornillo de montaje.
2. Presione la bandeja del kit de iluminación hacia el conjunto del motor del ventilador, de modo que las dos cabezas de los tornillos aflojados encajen en las ranuras. Gire la bandeja del kit de iluminación en sentido horario y apriete los tornillos.
3. Vuelva a colocar el tornillo que retiró en el paso 1 y apriételo firmemente.



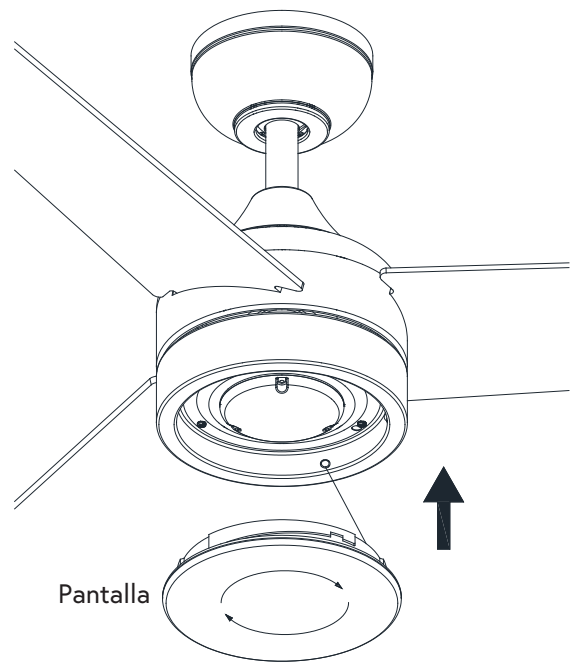
INSTALACIÓN DEL CONJUNTO DE LED

1. Retire un tornillo de la base del kit de iluminación y aflojelo, pero no retire los otros dos tornillos.
2. Conecte los cables del soporte del kit de iluminación a los cables del motor del ventilador conectando los conectores adaptadores moldeados. Introduzca con cuidado todos los cables y empalmes en la tapa del interruptor.
3. Empuje el kit de iluminación hacia arriba para que las dos cabezas de los tornillos aflojados encajen en las ranuras.
4. Gire el kit de iluminación en sentido horario y apriete los tornillos. Vuelva a colocar el tornillo que retiró en el paso 1 y apriételo firmemente.



INSTALACIÓN DE LA PERSIANA

1. Coloque la pantalla en la base del kit de iluminación, alineando las tres áreas planas de la parte superior con las tres hendiduras en la base. Gire la pantalla en sentido horario hasta el tope.



PREPARACIÓN DEL CONTROL DE PARED

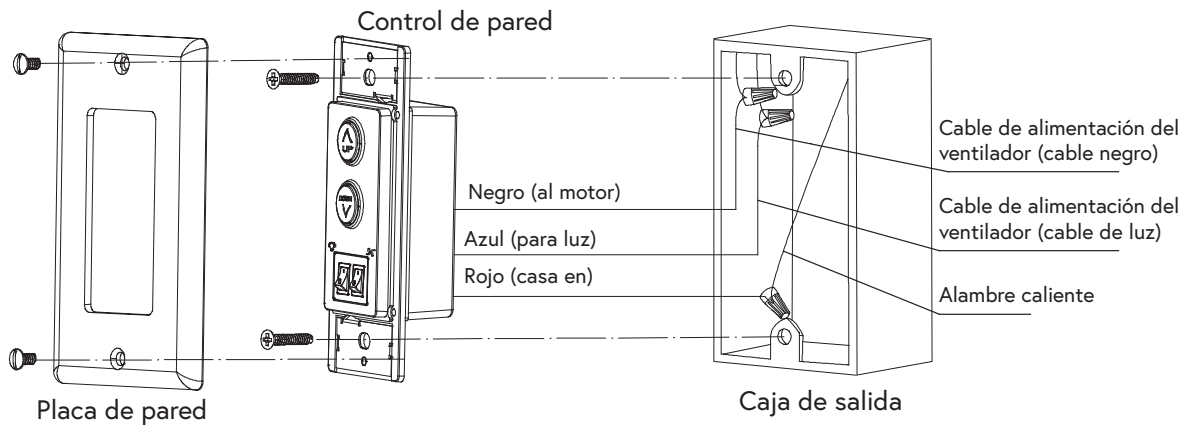
1. Después de desconectar la electricidad en la caja de fusibles principal o en el panel de interruptores, retire la placa de pared y el interruptor.
2. Conecte el cable **NEGRO** del control de pared al cable de alimentación del ventilador (cable negro).
3. Conecte el cable **AZUL** del control de pared al cable de alimentación del ventilador (cable de luz).
4. Conecte el cable **ROJO** del control de pared al **Alambre caliente**.
5. Asegure cada conector de cable con cinta aislante y luego inserte con cuidado cada juego de cables en la caja de salida.
6. Coloque el control de pared sobre la caja de salida y fíjelo con los tornillos.
7. Coloque la placa de pared sobre el control de pared y fíjela con los tornillos.
8. Restablezca la alimentación al interruptor.

ADVERTENCIA: Antes de continuar, asegúrese de apagar la electricidad en el interruptor principal o disyuntor para evitar descargas eléctricas.

NOTA: Antes de instalar el control de pared, asegúrese de que esté en la posición APAGADO.

NOTA: Utilice los conectores de cable incluidos con el ventilador. Asegure los conectores con cinta aislante, asegurándose de que no queden hilos ni conexiones sueltas.

NOTA: Si los cables NEGRO y AZUL del control de pared están conectados incorrectamente, el ventilador de techo no funciona.



OPERACIÓN - CONTROL DE PARED

CONTROL DE PARED

VELOCIDAD DEL VENTILADOR

Presione y suelte el botón ARRIBA para aumentar la velocidad del ventilador. Presione y suelte el botón ABAJO para disminuir la velocidad del ventilador.

DIRECCIÓN DEL VENTILADOR

Mantenga presionado el botón ARRIBA durante 3 segundos hasta que escuche un pitido, lo que indica que el ventilador está configurado para invertir la dirección.

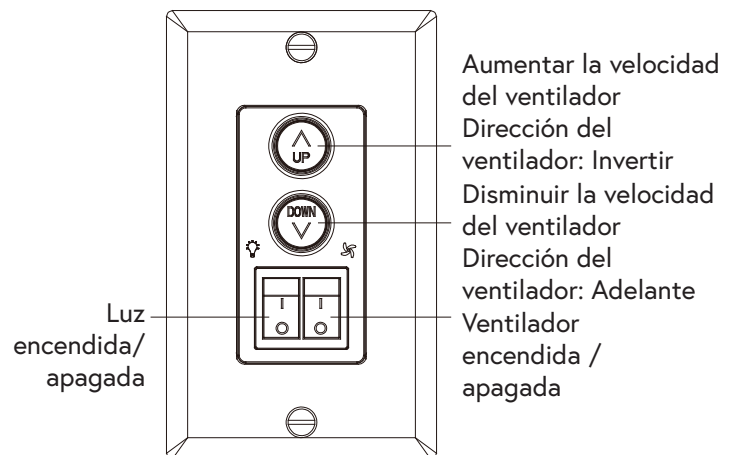
Mantenga presionado el botón ABAJO durante 3 segundos hasta que escuche un pitido, lo que indica que el ventilador está configurado para avanzar.

VENTILADOR ENCENDIDO/APAGADO

Presione y suelte el interruptor del ventilador para encenderlo o apagarlo.

LUZ ENCENDIDA/APAGADA

Presione y suelte el interruptor de luz para encender o apagar la luz.



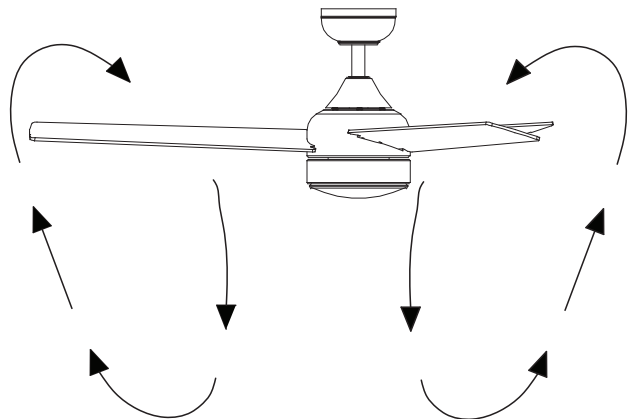
OPERACIÓN - VENTILADOR

Funcionamiento en modo verano y modo invierno

Los ajustes de velocidad para clima cálido o frío dependen de factores como el tamaño de la habitación, la altura del techo y la cantidad de ventiladores.

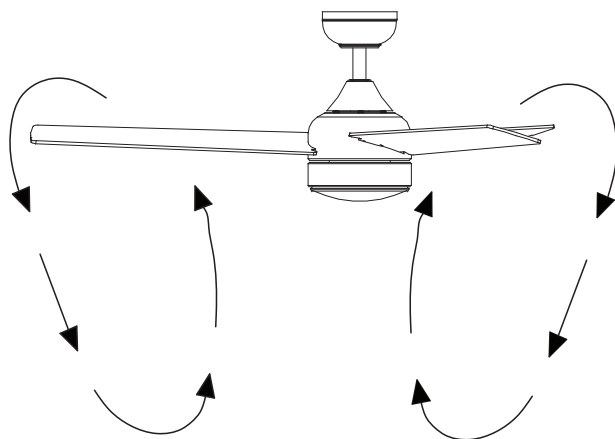
Modo Verano (adelante):

Un flujo de aire HACIA ABAJO crea un efecto refrescante. Esto le permite ajustar el aire acondicionado a una temperatura más cálida sin afectar su comodidad..



Modo Invierno (inverso):

Un flujo de aire ascendente desplaza el aire más cálido del techo. Esto le permite ajustar la calefacción a una temperatura más baja sin afectar su comodidad.



CUIDADO Y LIMPIEZA

- Periódicamente puede ser necesario volver a apretar los tornillos de la hoja al brazo de la hoja o los tornillos del brazo de la hoja al motor para evitar chasquidos o zumbidos durante la operación. Esto es especialmente cierto en climas con amplios rangos de temperatura y humedad.
- Al quitar el polvo de las hojas, debe sostener la hoja para evitar que se doble; no se debe aplicar presión a las hojas. Si experimenta algún defecto en el funcionamiento de su ventilador, verifique los siguientes puntos.

SOLUCIÓN DE PROBLEMAS

PROBLEMA	SOLUCIÓN
EL VENTILADOR NO ENCIENDE	<ol style="list-style-type: none">1. Verifique los fusibles o disyuntores del circuito.2. Verifique la luz indicadora LED del control de pared. Si el LED no se ilumina al presionar un botón, no está transmitiendo una señal. Verifique la batería, la alimentación al control de pared/disyuntor y todas las conexiones eléctricas.3. Asegúrese de que no haya más de 2 ventiladores funcionando en un circuito a través del control de pared. Asegúrese de que no haya más de 12 ventiladores funcionando en un circuito a través de un interruptor de pared de encendido/apagado o un disyuntor (no a través de un control de pared).4. Asegúrese de que el ventilador esté dentro del alcance del control de pared (30 pies).
EL VENTILADOR SUENA RUIDO	<ol style="list-style-type: none">1. Permita un período de "asentamiento" de 24 horas. La mayor parte del ruido asociado con un ventilador nuevo desaparecerá durante este tiempo.2. Asegúrese de que todos los tornillos de la carcasa del motor estén bien apretados.3. Asegúrese de que los tornillos que sujetan las aspas del ventilador al ventilador estén apretados.4. Asegúrese de que su caja de techo esté segura y de que se utilicen almohadillas aislantes de goma entre el soporte de montaje y la caja eléctrica.
EL VENTILADOR SE TAMBIEN	<ol style="list-style-type: none">1. Verifique que todos los tornillos de la hoja al motor y del brazo de la hoja estén asegurados.2. Si aún se nota el bamboleo de la cuchilla, intercambiar dos cuchillas adyacentes (una al lado de la otra) puede redistribuir el peso y posiblemente dar como resultado un funcionamiento más suave.3. Asegúrese de que la placa de montaje esté bien sujeta a la caja eléctrica del techo.4. Asegúrese de que la caja del techo esté segura.

GARANTÍA LIMITADA DE POR VIDA PARA VENTILADORES DE TECHO DE KUZCO GROUP

Los productos de Kuzco Group están garantizados contra defectos de materiales y construcción, sujetos a condiciones y exclusiones, por un período de un (1) año a partir de la fecha de envío del producto al cliente. Kuzco Group garantiza al propietario original que el motor del ventilador estará libre de defectos durante toda la vida útil del ventilador. Esta garantía no se aplica a ventiladores que hayan sufrido daños debido a una instalación inadecuada, retirados de la instalación original o sometidos a un uso para el cual el ventilador no fue diseñado. El cliente es responsable de cualquier costo de retirar el ventilador viejo, instalar un ventilador nuevo o cualquier otro costo. Esta garantía limitada de por vida reemplaza todas las demás garantías expresas. Kuzco Group no será responsable de ningún daño incidental o consecuente.

A continuación se muestra una lista detallada de los artículos garantizados:

PARTE	USO RESIDENCIAL	USO COMERCIAL/HOSPITALIDAD
Motor	Toda la vida	Toda la vida
Componentes LED integrados	1 año	1 año
Bombillas led	1 año	1 año
Cuchillas, controles, interruptores, condensadores, hardware	1 año	1 año

¿Qué está cubierto?

- Piezas que llegan dañadas
- Faltan piezas en la caja
- Piezas que no funcionan correctamente
- Piezas que han dejado de funcionar correctamente dentro de los límites de la garantía.

¿Qué no está cubierto?

- Costes de instalación
- Piezas desgastadas por el uso regular.
- Piezas dañadas en la instalación.
- Piezas modificadas
- Piezas fuera de garantía

LA GARANTÍA SE APLICA SÓLO AL COMPRADOR ORIGINAL DE UN DISTRIBUIDOR AUTORIZADO DE KUZCO GROUP.