



DATE:	LOCATION:
TYPE:	PROJECT:
CATALOG #:	

CLML Series

COMPACT CONCEALED LED RECESSED EMERGENCY LUMINAIRE

FEATURES

- Offered in Emergency with battery or AC input from Inverter/Generator
- Includes Self-Test , Self-Diagnostics with optional 15 min. Time Delay
- LED array with 3 each 3-watt LEDs providing 561 absolute lumens
- 5000K color temperature
- LED life-cycle of 10,000 hours
- Dual-voltage field selectable 120 or 277V AC input
- Rated for 90-minute runtime with Nickel Metal Hydride Batteries
- UL924 Damp Listed
- Application temperature from 10°C to 40°C
- Optional Remote Test Transmitter for ease of testing



SPECIFICATIONS

APPLICATION

- The CLML series is a concealed and recessed, self-contained emergency light with fully automatic operation
- Applications include small and large open floor-plans, long hallways, and areas where obtrusive surface mounted emergency lighting is not desirable

CONSTRUCTION

- Textured white powder coat finish
- Lamp head housing constructed of high strength zinc frame and door
- 20 ga. steel back box, IC listed

INSTALLATION

- Recessed mount in wall or ceiling
- Rough-in kit can be ordered separately
- Recessed depth of 3"

ELECTRICAL

- 120 or 277VAC input, 60Hz
- Battery-operated models supplied with maintenance-free Nickel Metal Hydride battery
- AC only units designed to be used with central power systems (inverters, generators, etc.) 120 or 277 VAC field selectable input
- Microprocessor controlled circuitry

OPTICS

- LED board contains 3 high power LEDs rated for 10,000 hours which provide 561 lumens, LED color temperature of 5000K
- Optics are adjustable up to 70° and provide up 52' spacing

COMPLIANCES

- UL924 Listed for Damp Locations
- NFPA 101 and NFPA 70
- OSHA
- CEC T20
- NYC Approved, Calendar #48850
- Chicago Plenum Listed Option(CP)

WARRANTY

- 3 year full unit warranty

KEY DATA	
Lamp Color	5000K
Total Lamp Output	561
System Efficacy (LPW)	46
Rated LED Lifecycle (Hours)	10,000



DATE: _____ LOCATION: _____

TYPE: _____ PROJECT: _____

CATALOG #: _____

CLML Series

COMPACT CONCEALED LED RECESSED EMERGENCY LUMINAIRE

ORDERING GUIDE

Example: CLMLAC-CP

CATALOG # _____

CLML		Battery Type		Options		Accessories (Order Separately)	
Model		Blank		CP		CLRT	
CLML	Mini Concealed Recessed Emergency Light	Blank	NIMH	CP	Chicago Plenum	CLRT	Remote Testing Transmitter
		AC	120/277VAC	XK	Less Rough-in Kit ¹	CLMLRK	CLML Rough-In Kit
				TD	15 min. Time Delay	CPCLMLRK	CLML Chicago Plenum Listed Rough-in Kit
						CLMLACRK	CLMLAC Rough-in Kit
						CPCLMLACRK	CLMLAC Chicago Plenum Listed Rough-in Kit

Notes:
 1 To order rough-in kit only for early installation, add-XK option suffix to CLML model and order Rough-in kit or Chicago Plenum Rough-in kit accessory separately

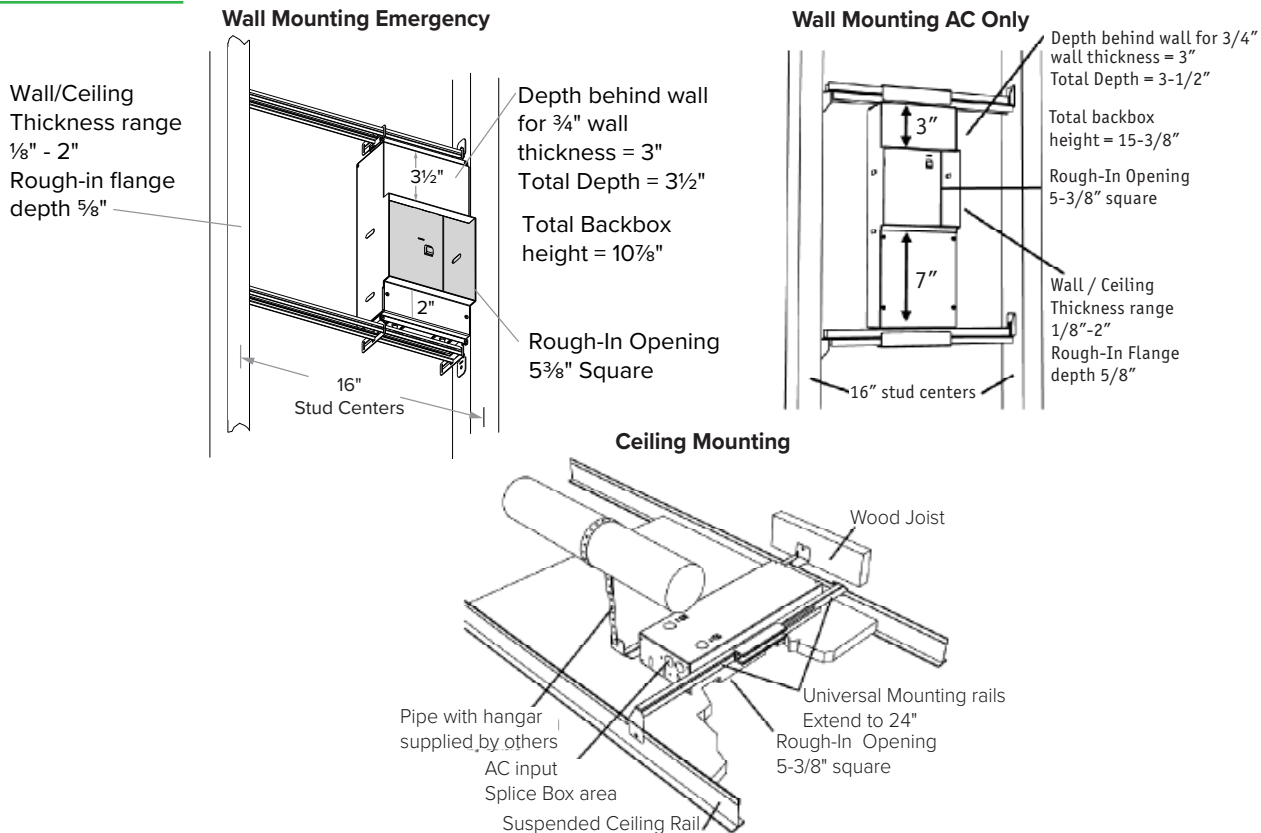
SELF-TEST/SELF-DIAGNOSTICS

- External push-to-test switch and AC-on indicator
- AC Lock-out circuit
- Low voltage battery disconnect
- For emergency models, Self-diagnostics monitors LED driver circuit, battery capacity, transfer/charger function and door status, and displays any fault detection by means of a flashing code
- Self-Test feature automatically runs a 30 sec. test once every 28 days. Multi-color LED indicator provides visible fault detection and charging status
- User initiated 30 sec., or 90-minute system test feature
- Automatic unit transfer in brown-out conditions (below 80% of nominal AC input voltage)

INPUT POWER REQUIREMENTS

Model			Watts	Amps
CLML		120VAC	10	0.1
		277VAC	10	0.1
CLMAC	(BACKUP input)	120VAC	18	0.2
		277VAC	18	0.1
	(UTIL input)	120VAC	2	0.1
		277VAC	2	0.1

DIMENSIONS





CLML Series

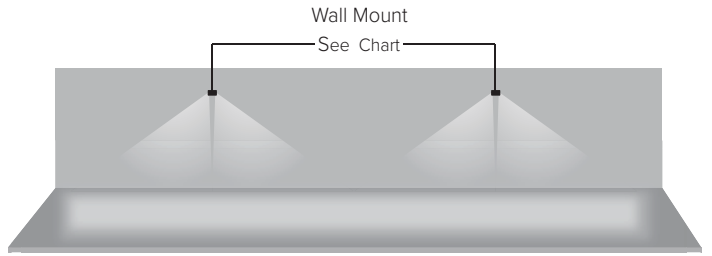
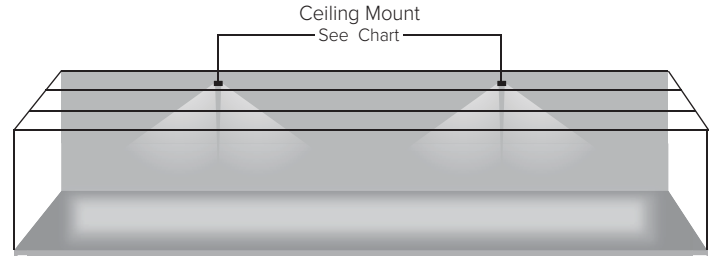
COMPACT CONCEALED LED RECESSED EMERGENCY LUMINAIRE

APPLICATION INFORMATION

Recommended center to center unit spacing

Ceiling Mount - Corridor		
Ceiling Mounting Height	Path Width	Multiple Unit Spacing
8'	6'	52'
9'	6'	47'
10'	6'	45'
12'	6'	35'
14'	6'	30'

Wall Mount - Corridor		
Wall Mounting Height	Vert. Aiming Angle (Deg)	Unit Spacing Multiple Units
7'	6'	52'
8'	6'	50'
10'	6'	40'
12'	6'	35'
14'	6'	30'



Meets Life Safety Code minimum illuminance of 0.1 fc and average illuminance of 1.0 fc. Assumes open space with no obstructions and reflectances of 80/50/20. Photometry files available on the Dual-Lite web site. Based on 4' path of egress.

PHOTOMETRY

CLML WALL MOUNT

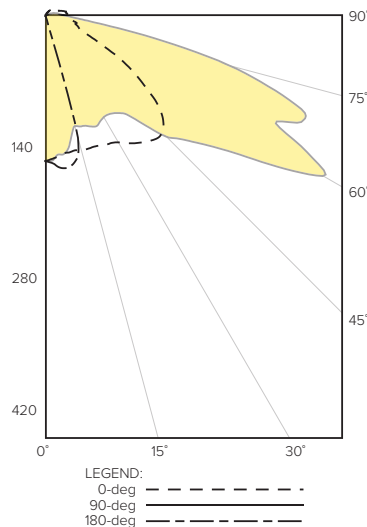
LUMINAIRE DATA

Test No.	ITL75900
Description	Low Level Concealed Recessed (mini) Emergency Luminaire
Watts	9.49
Efficacy	44.5 lm/W
Mounting	Wall
Spacing Criterion	
0-DEG	1.69
90-DEG	1.22
180-DEG	0.57

ZONAL LUMEN SUMMARY

Zone	Lumens	% Luminaire
0-40	93	17.2
0-60	308	74.2
0-90	500	92.8
0-180	538	100.0

POLAR GRAPH



CANDELA DISTRIBUTION

Angle	Candela (0.0)
0	154
5	150
15	148
25	151
35	165
45	175
55	128
65	55
75	33
85	28
90	27



CLML Series

COMPACT CONCEALED LED RECESSED EMERGENCY LUMINAIRE

PHOTOMETRY (CONTINUED)

CLML CEILING MOUNT

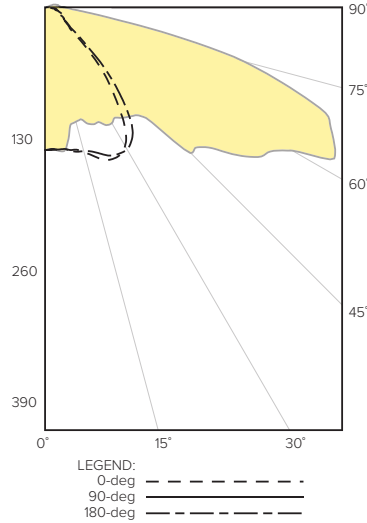
LUMINAIRE DATA

Test No.	ITL75901
Description	Compact Concealed LED Recessed Emergency Luminaire
Watts	9.49
Efficacy	46.4 lm/W
Mounting	Ceiling
Spacing Criterion	
0-DEG	1.43
90-DEG	1.47
180-DEG	0.52

ZONAL LUMEN SUMMARY

Zone	Lumens	% Luminaire
0-40	112	19.9
0-60	375	66.8
0-90	548	97.8
0-180	561	100.0

POLAR GRAPH



CANDELA DISTRIBUTION

Angle	Candela (0.0)
0	140
5	140
15	147
25	163
35	133
45	63
55	25
65	18
75	14
85	10
90	6