

PROJECT: _____

SCHEDULE: _____ **DATE:** _____

PREPARE BY: _____

NOTES: _____

CSL COMMERCIAL STRIP LIGHT (PIC)

DESCRIPTION

The naturaLED® 2" CSL is a sleek, narrow-profile LED strip light designed for commercial and industrial applications. Its compact, energy-efficient design makes it ideal for new construction and retrofits. Equipped with a Plug-In Connector (PIC) for PIR motion sensors, it allows seamless sensor integration via a plug-in connection, enabling quick installation without disassembly. With selectable wattages, color temperatures, and lengths (2 ft, 4 ft, 8 ft), it provides even, glare-free illumination for warehouses, parking garages, stairwells, offices, and more. Designed for flexibility, it supports surface (ceiling or wall) and suspended (cable-mounted) installations, adapting to various environments.

APPLICATIONS

Warehouse, Retail, Parking Garage, Stairwell and Hallways, Storage Lighting

FEATURES




- DLC Standard
- Damp Location
- ETL/cETL Listed
- Wattage & Color Selectable
- Plug-in Connector (PIC) Ready for Sensor
- Wattage: 15-68W
- Color Temp: Selectable CCT3 (35/40/50K)
- Voltage: 120-277V
- Surge Protection: 2KV
- Dimmable: 0-10V
- Controls: PIC Ready (Plug-In Connector Type 1) Compatible Field Install Controls
- CRI: >80
- L70:>100,000 hours
- Operating Temperature: -4°F to 104°F
- Beam Angle: 120°
- Lens: Polycarbonate Diffused Lens
- Material: Sheet Metal (Steel)
- Color: White (Epoxy Resin Coating)
- Mount: Surface Mount J-box Cover Plate Included (Optional V-Hook and Hanging Cable Available)
- Optional Accessories for Purchase: Hanging Kit, Controls, Wire Guard, Surge Protector, Emergency Battery Backup LED Driver
- Warranty: 5-Year Limited Warranty



*Available in 2-ft, 4-ft, & 8-ft of length

Rated Life Hours 50,000
Warranty 5 Years

ACCESSORIES

	Emergency Drivers
	Microwave Sensor Remote Programmer
	PIR Motion Sensor Remote Programmer



PIC - Plug in Connector

The PIC sensor is ready for seamless integration of a motion sensor via the plug-in connector, allowing on-site installation without the need to disassemble the fixtures.

SAMPLE NUMBER		CSL2/40S/48FR/8C3-PIC1			
SERIES	WIDTH	WATTAGE	LENGTH/LENS	CRI/COLOR TEMP	ACCESSORIES
CSL Commercial Strip Light	2 2" Width	40S 40 Selectable Wattage	48FR 48-inch, Frosted	8C3 CRI 80 3CCT (3500/4000/5000K)	PIC1 Plug in Connector Type 1



COMMERCIAL STRIP LIGHT (PIC)

CEILING & AREA LUMINAIRES

ORDERING

*P= Premium DLC / *S = Standard DLC

Ordering Code	Description	Watts (W)	Lumens (Lm)	CCT (K)	Length	PIR Sensor Compatible	Microwave Sensor Compatible	Damp Location	DLC (S/P)
9736	CSL2/23S/24FR/8C3	15	1,950	3CCT	2-ft	-	Yes	•	S
		19	2,485	(35/40/50K)					
		23	2,990						
9737	CSL2/40S/48FR/8C3	28	3,920	3CCT	4-ft	-	Yes	•	S
		34	4,658	(35/40/50K)					
		40	5,400						
9738	CSL2/68S/96FR/8C3	44	6,248	3CCT	8-ft	-	Yes	•	S
		58	8,004	(35/40/50K)					
		68	9,180						
9739	CSL2/23S/24FR/8C3-PIC1	15	1,950	3CCT	2-ft	Yes	-	•	S
		19	2,485	(35/40/50K)					
		23	2,990						
9740	CSL2/40S/48FR/8C3-PIC1	28	3,920	3CCT	4-ft	Yes	-	•	S
		34	4,658	(35/40/50K)					
		40	5,400						
9741	CSL2/68S/96FR/8C3-PIC1	44	6,248	3CCT	8-ft	Yes	-	•	S
		58	8,004	(35/40/50K)					
		68	9,180						

*Default Setting: Preset to the highest wattage with 4000K

ACCESSORIES

Emergency Drivers



7336 BAEM4-60BC/MV-A
4W Emergency Driver 120-277V
for #9736,9737,9739,9740



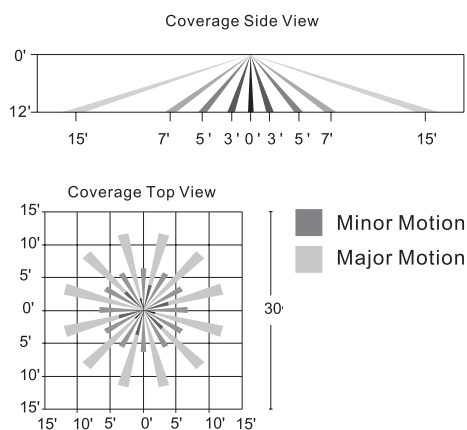
7334 BAEM15-48BC/MV-A
15W Emergency Driver 120-277V
for #9738,9741

PIR Sensor with PIC



P10616 SEN-CSL-01-PIC1
PIR Motion Sensor, 0-10V, 12Vdc for
#9739,9740,9741

P10316 SEN-BRI-RC100
Remote Programmer for P10616

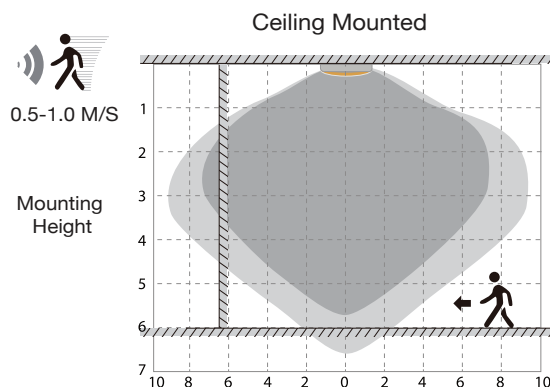


Microwave Sensor with Standard CSL



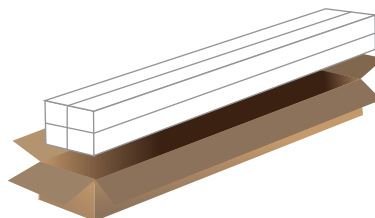
P10590 SEN-HD027VCR
Microwave Motion Sensor 0-10V Bi-Level
for #9736,9737,9738

P10323 SEN-HD06R
Remote Programmer for P10590



PACKAGE

	Master Carton (pc)	Dimensions (in)	Weight (lb)
2ft	4	24.6"x5.3"x4.7"	10.58
4ft	4	48.6"x5.3"x4.7"	17.86
8ft	4	96.5"x5.3"x4.7"	31.97

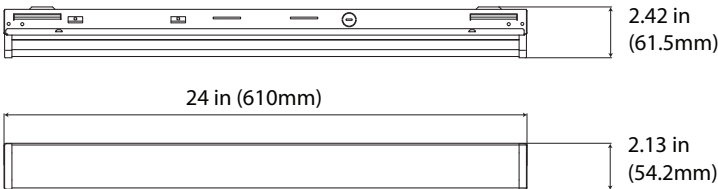


COMMERCIAL STRIP LIGHT (PIC)

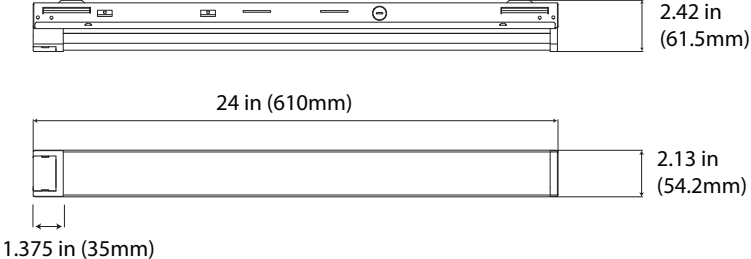
CEILING & AREA LUMINAIRES

DIMENSIONS

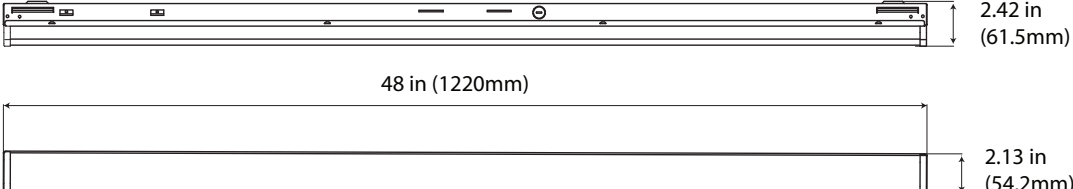
2-FT



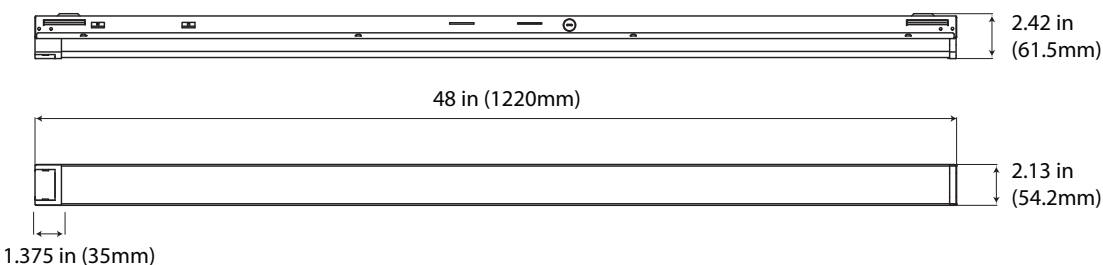
2-FT with PIC



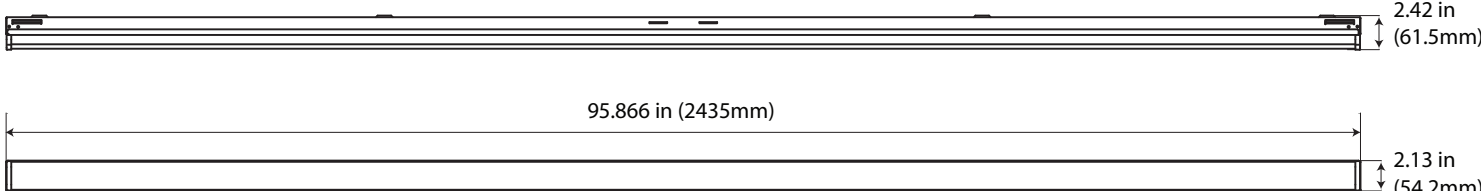
4-FT



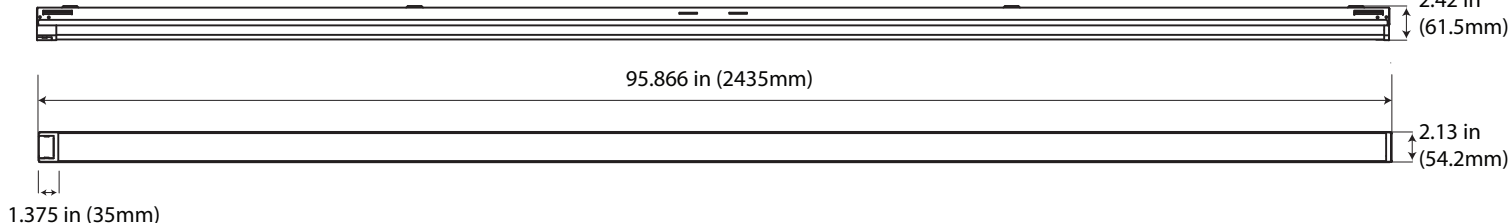
4-FT with PIC



8-FT



8-FT with PIC

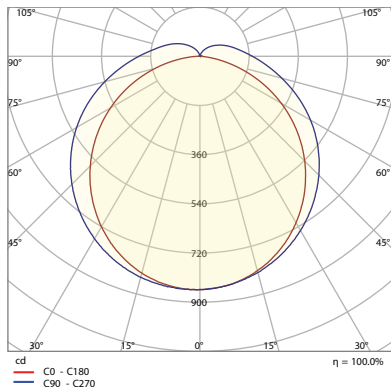


COMMERCIAL STRIP LIGHT (PIC)

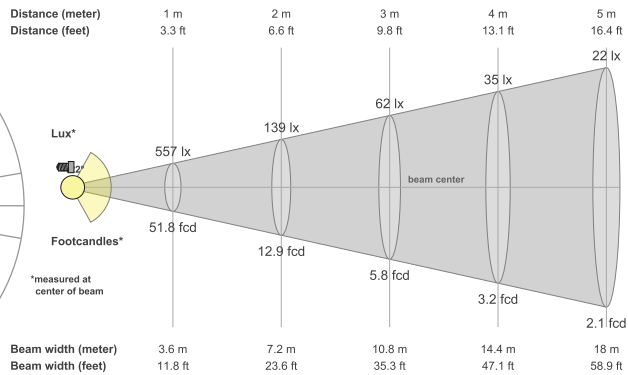
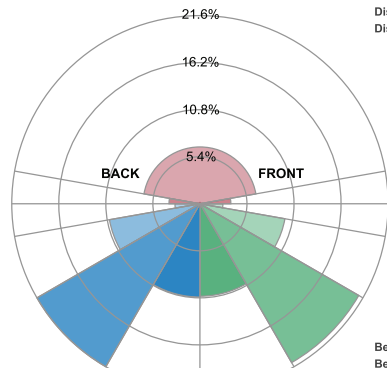
CEILING & AREA LUMINAIRES

PHOTOMETRICS

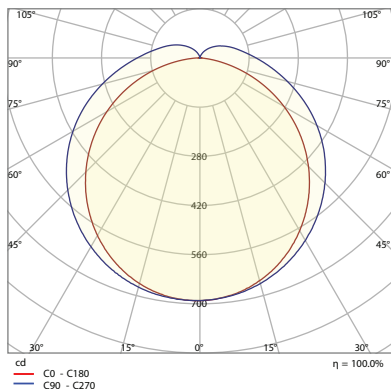
2-FT (15W)



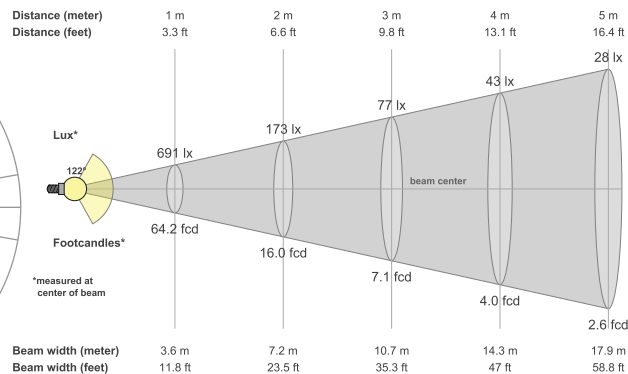
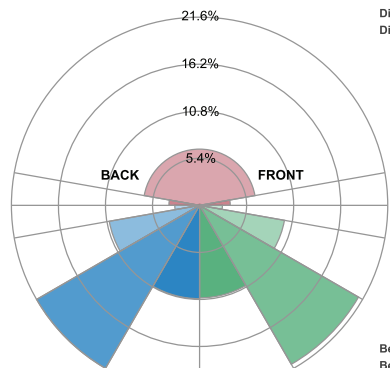
BUG rating B1 U3 G1



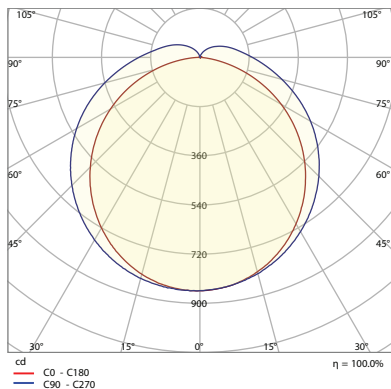
2-FT (19W)



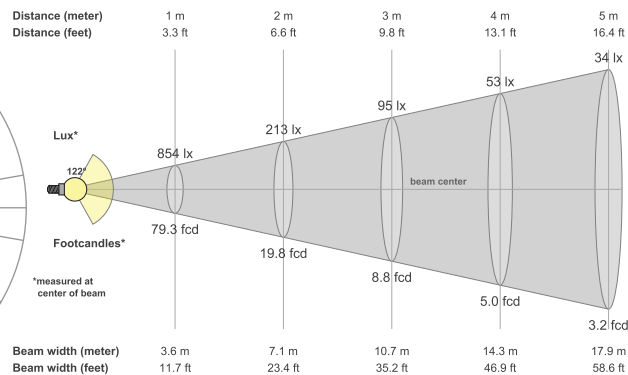
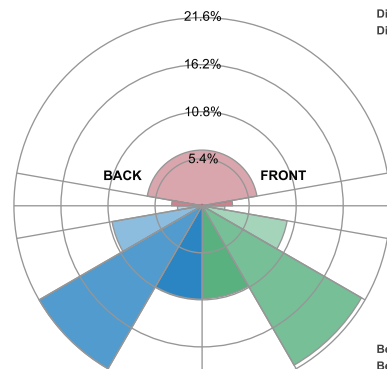
BUG rating B1 U3 G1



2-FT (23W)



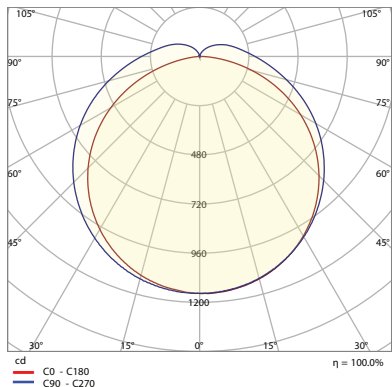
BUG rating B1 U3 G1



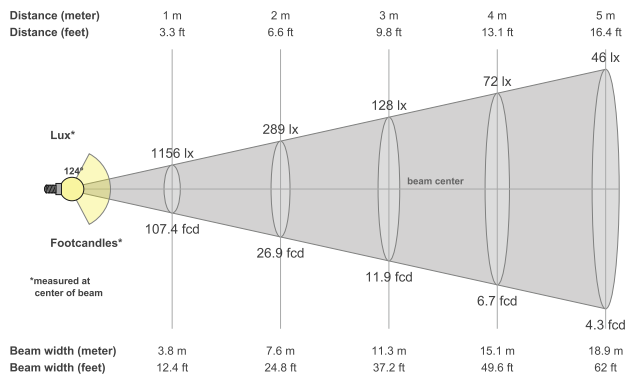
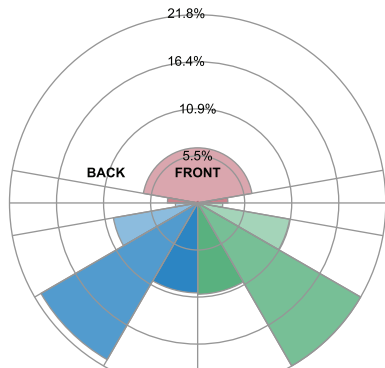
COMMERCIAL STRIP LIGHT (PIC)

CEILING & AREA LUMINAIRES

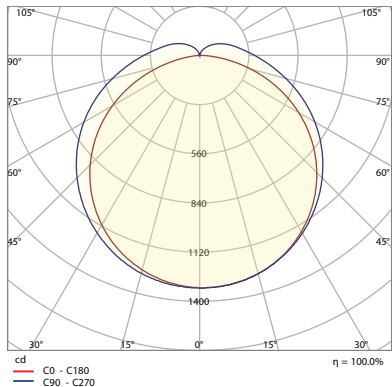
4-FT (28W)



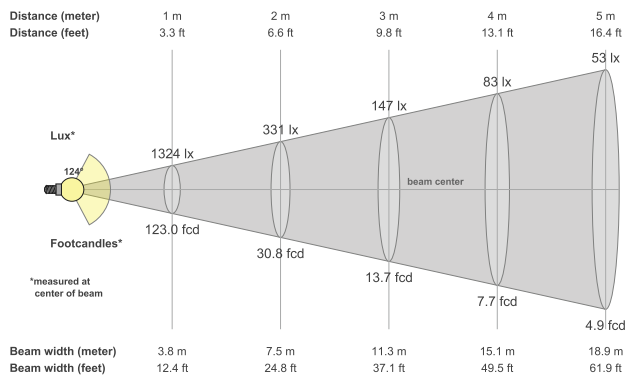
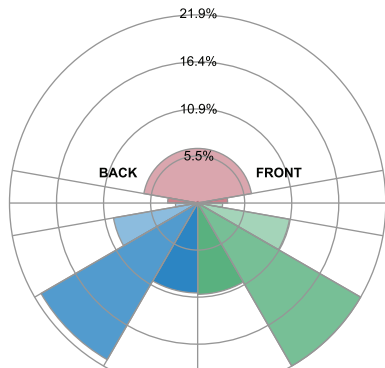
BUG rating B1 U3 G2



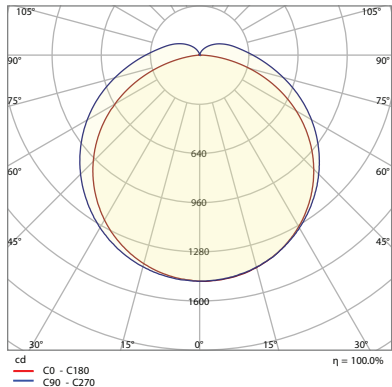
4-FT (34W)



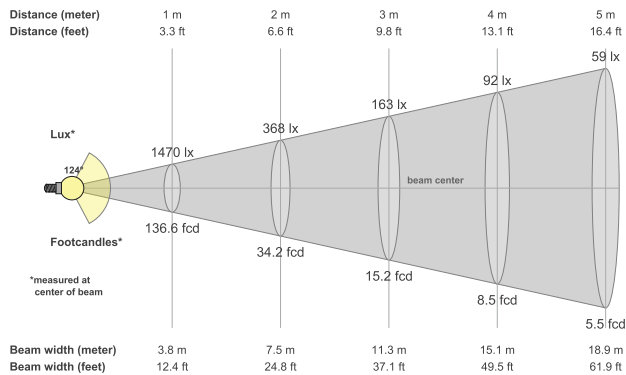
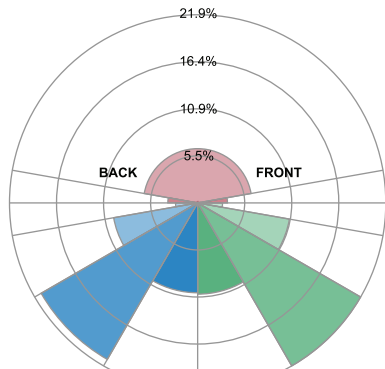
BUG rating B2 U3 G2



4-FT (40W)



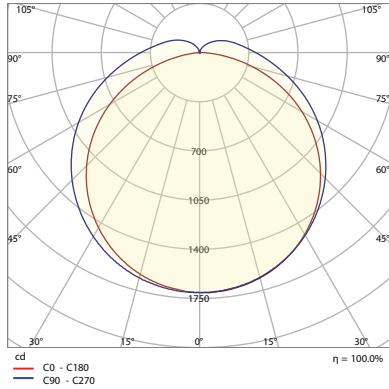
BUG rating B2 U3 G2



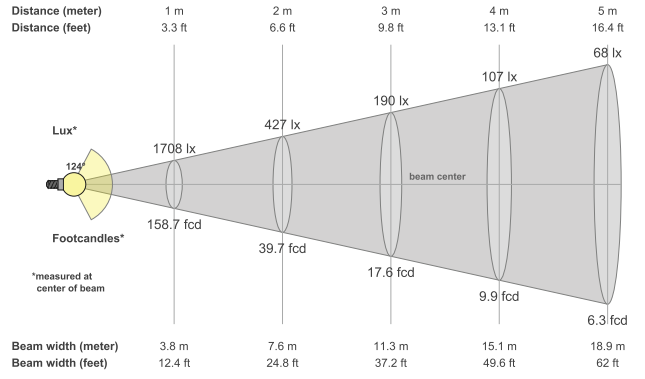
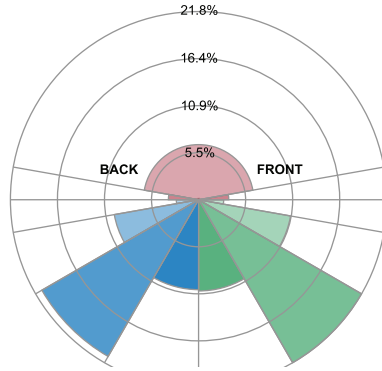
COMMERCIAL STRIP LIGHT (PIC)

CEILING & AREA LUMINAIRES

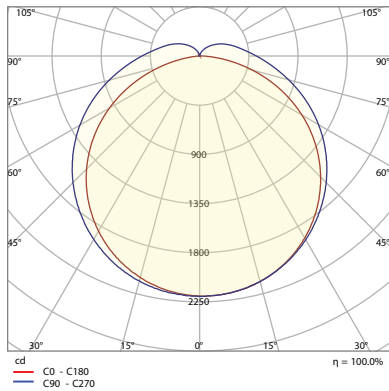
8-FT (44W)



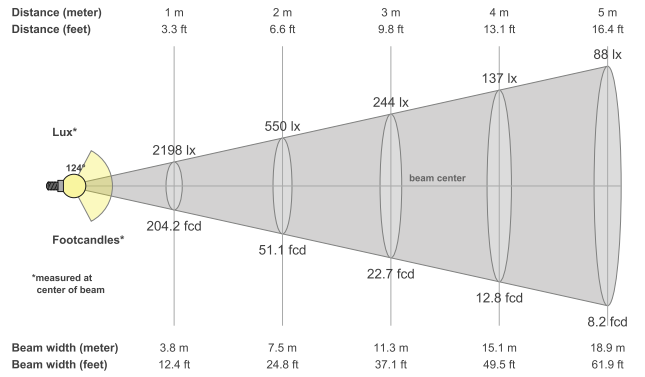
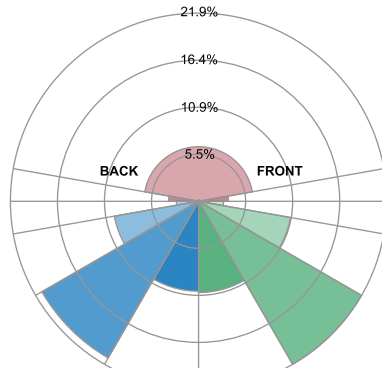
BUG rating B2 U3 G2



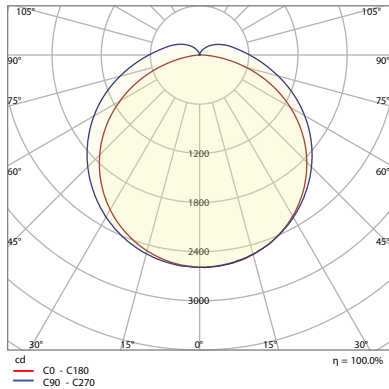
8-FT (58W)



BUG rating B2 U4 G3



8-FT (68W)



BUG rating B3 U4 G3

