

PROJECT:

SCHEDULE:

DATE:

PREPARE BY:

NOTES:

CWX Compact Cutoff Wall Pack

DESCRIPTION

The naturaLED® CWX compact cutoff wallpack features a rugged cast-aluminum housing with superior thermal design, ensuring durability and long-lasting performance. As a DLC Premium qualified fixture, it boasts a slim and compact profile, making it an excellent choice for replacing existing wallpacks or perimeter lighting while maintaining a sleek and modern aesthetic. Designed for outdoor applications such as carports, loading areas, driveways, parking lots, and pathways, this energy-efficient luminaire provides reliable illumination in various settings. Engineered for secure wall mounting at heights above four feet, it is available with Wattage Selectable and Color Temperature Selectable options, allowing for customizable lighting solutions to suit diverse needs.

APPLICATIONS

Security, Pathway, Perimeter, Entryway, Area Lighting, and Building Facades




FEATURES

- DLC Premium
- IP65 Rated
- ETL/cETL Listed
- Wattage & Color Selectable
- Wattage: 15~40W
- Color Temp: CCT3 (30/40/50K)
- Voltage: 120-277V
- Surge Protection: 4KV
- Dimmable: 0-10V
- CRI: >80
- Operating Temperature: -40°F to 122°F
- Beam Angle: Cut-Off
- Excellent Thermal Design
- Lens: Borosilicate Glass Lens
- Material: Die Cast Aluminum
- Color: Bronze / Black / White
- Optional Accessories for Purchase: Motion Sensor, Photocell Sensor, Microwave Sensor, Emergency Driver, Remote Control
- Warranty: 5-Year Limited Warranty



Rated Life Hours 50,000
Warranty 5 Years

ACCESSORIES

	Microwave Sensor
	Emergency Backup Driver
	Remote Control

SAMPLE NUMBER

CWX40S/8C3/BZ-PHO

SERIES	WATTAGE	CRI/COLOR TEMP	COLOR	ACCESSORY
CWX Compact Cut-Off Wall Pack	40S <40 Selectable Wattages	8C3 CRI 80 3CCT(3000/4000/5000K)	BZ Bronze	PHO Photocell Included



COMPACT CUTOFF WALL PACK

WALL & AREA LUMINAIRES

*P= Premium DLC / *S = Standard DLC

ORDERING

Ordering Code	Description	Watts (W)	Lumens (Lm)	CCT (K)	Equiv. Wattage (W)	Voltage	Color	IP65 Rated	DLC (S/P)
9706	CWX40S/8C3/BZ-PHO	15	2,600	3CCT	175-250W	120-277V	Bronze	•	P
		28	3,640	(30/40/50K)					
		40	5,200						
9707	CWX40S/8C3/BK-PHO	15	2,600	3CCT	175-250W	120-277V	Black	•	P
		28	3,640	(30/40/50K)					
		40	5,200						
9708	CWX40S/8C3/WH-PHO	15	2,600	3CCT	175-250W	120-277V	White	•	P
		28	3,640	(30/40/50K)					
		40	5,200						

ACCESSORIES



Emergency Driver

7336 BAEM4-60BC/MV-A
(4W CEC Compliant LED Emergency Driver)



Microwave Sensor

P10540 SEN-ANT-11-WH
(Remote Programable Microwave Motion Sensor 0-10V Bi-Level Internal 12V Low Voltage)



Surge Protectors

P10389 SPD-L-10KV-277
(Single Phase Surge Protection 10KV 120-277V)

P10390 SPD-L-20KV-277
(Single Phase Surge Protection 20KV 120-277V)

P10391 SPD-L-20KV-480
(Single Phase Surge Protection 20KV 347-480V)

Motion Sensors & Remote Control



P10518 REC-Z10-WH
(Z10 Receptacle Base with the White Cap)



P10519 REC-Z10-BK
(Z10 Receptacle Base with the Black Cap)



P10521 SEN-ANT-5-Z10
(Z10 Twist-Lock Microwave Motion & Photocell Sensor, 0-10V,12-24Vdc White)



P10522 SEN-ANT-6-Z10
(Z10 Twist-Lock PIR Motion & Photocell Sensor, 0-10V,12-24Vdc White)



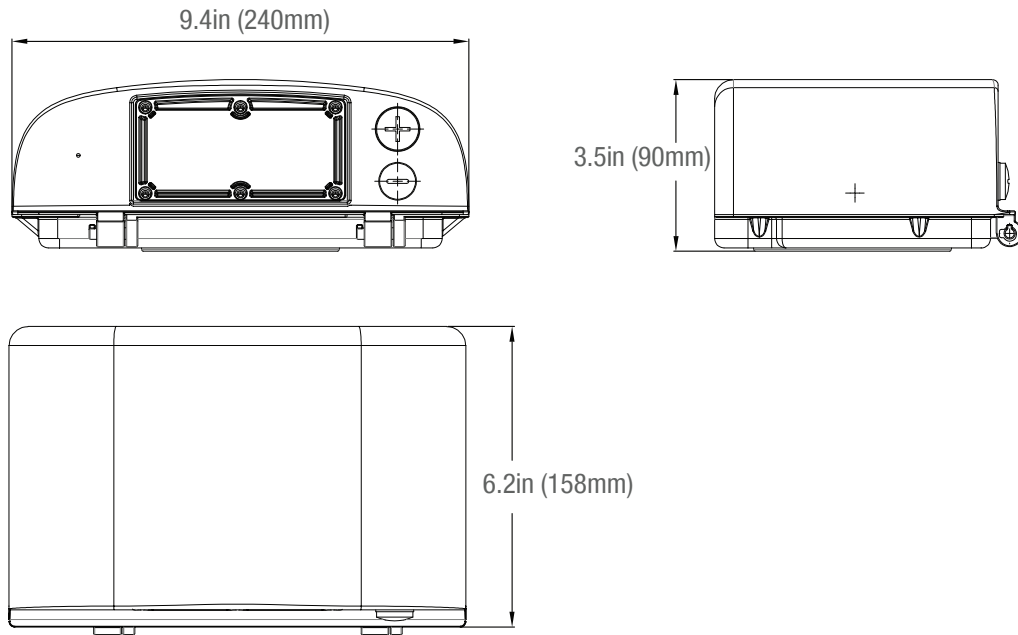
P10316 SEN-BRI-RC100
(Remote Programmer for P10521, P10522 and P10540)

COMPACT CUTOFF WALL PACK

WALL & AREA LUMINAIRES

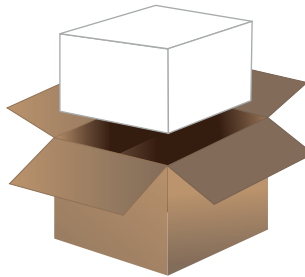
DIMENSIONS

40 S/Wattage
4.63-lbs



PACKAGE

	Master Carton (pc)	Dimensions (in)	Weight (lb)
40 S/W	5	19.30"x7.10"x10.20"	25.10

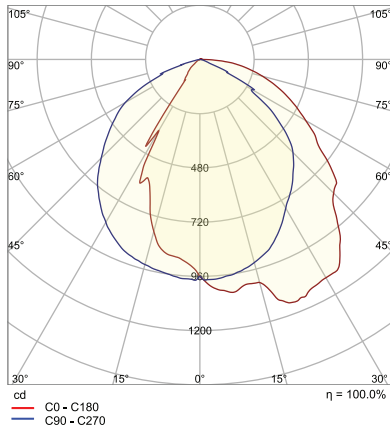


COMPACT CUTOFF WALL PACK

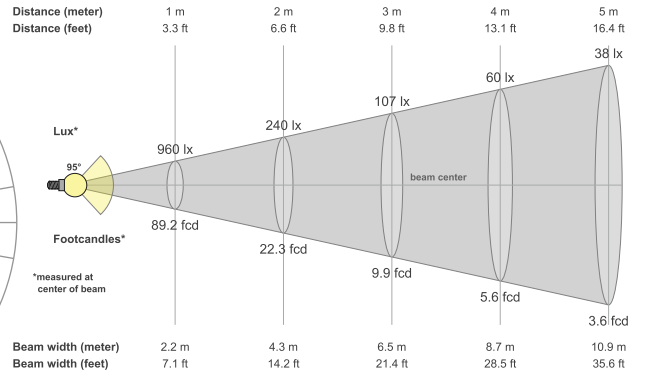
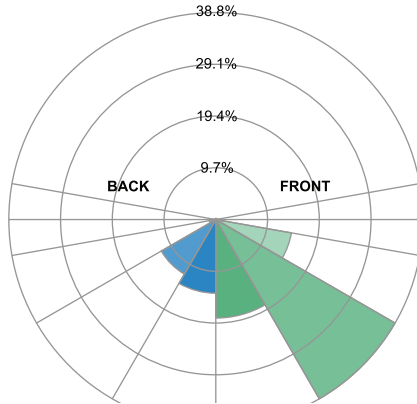
WALL & AREA LUMINAIRES

PHOTOMETRICS

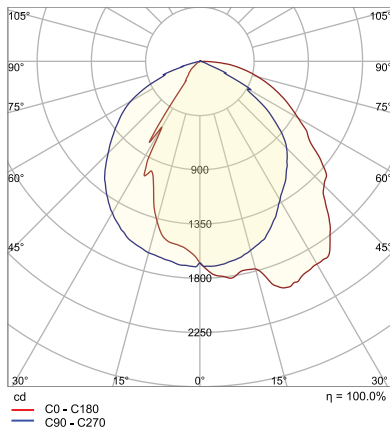
15 S/ Wattage



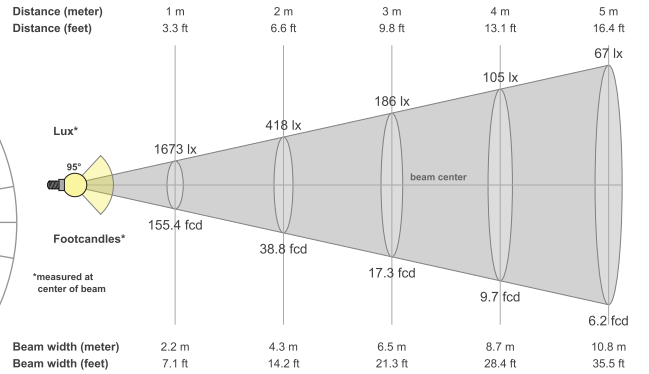
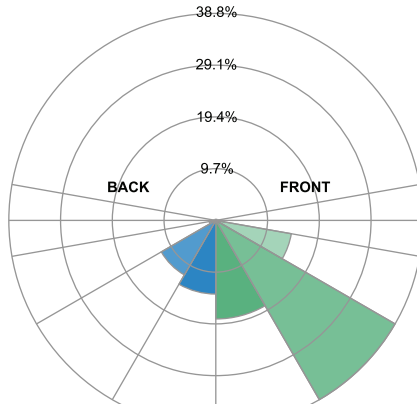
BUG rating B1 U0 G1



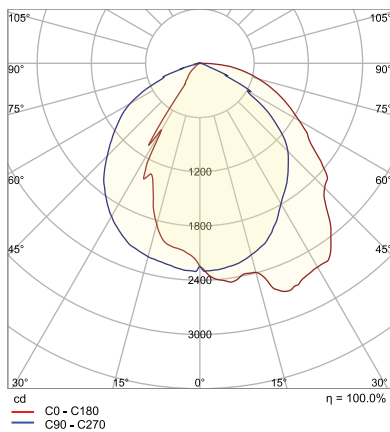
28 S/ Wattage



BUG rating B2 U0 G1



40 S/ Wattage



BUG rating B2 U0 G1

