



## SAFETY & WARNINGS

### READ AND FOLLOW ALL SAFETY INSTRUCTIONS

1. Install in accordance with national and local electrical code regulations.
2. This product is intended to be installed and serviced by a qualified, licensed electrician.
3. Do not modify or disassemble this product beyond instructions or the warranty will be void.
4. Do not use if there is any damage to the fixture or wiring. Inspect periodically.
5. Do not install near areas with exposure to salt water or chlorinated water.
6. Do not install in direct sunlight or damage to the LED phosphor will occur.
7. Do not attempt to fix this product in the field.
8. Failure to follow safety warnings, and installation instructions will void the warranty for this product.



## COMPATIBILITY LIST

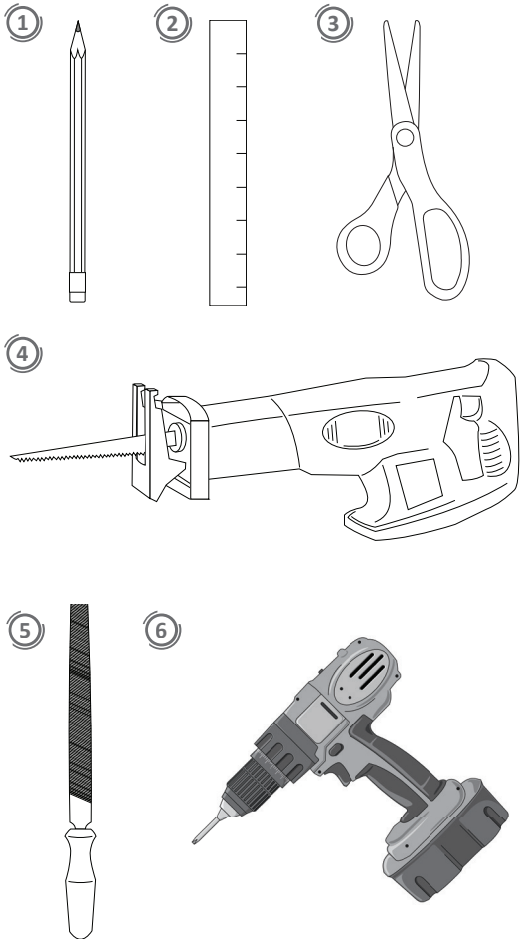
The following products are compatible with this CHROMAPATH® Bundle Channel and Cover. Components not listed here are not compatible.

VALENT® X

# CHROMAPATH® CLOSET ROD CHANNEL

ALUMINUM CHANNEL

## TOOLS FOR INSTALL



- 1. Pencil
- 2. Ruler
- 3. Scissors

- 4. Band Saw or Rotary Saw
- 5. Metal File
- 6. Screwdriver / Electric Drill

## INSTALLATION

INSTALLATION GUIDE

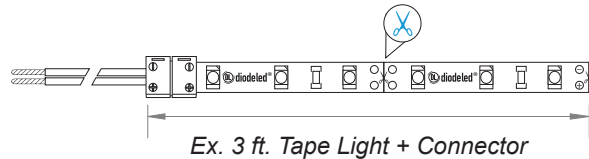
### TEST CONNECTION

Prior to assembling fixture, connect tape light to Class 2 LED driver and turn on power. Ensure connection is secure and system is working properly. Turn off power again before mounting. See tape light installation guide for information on powering fixture.

### 1 DETERMINE TAPE LIGHT & CHANNEL LENGTH

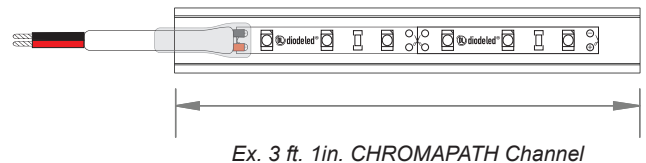
#### 1.1 DETERMINE TAPE LIGHT LENGTH

Cut to desired length (cut at scissors icon) and attach appropriate connectors, which will slightly extend total length. For this example the total length is 3 ft.



#### 1.2 DETERMINE CHROMAPATH CHANNEL CUT LENGTH

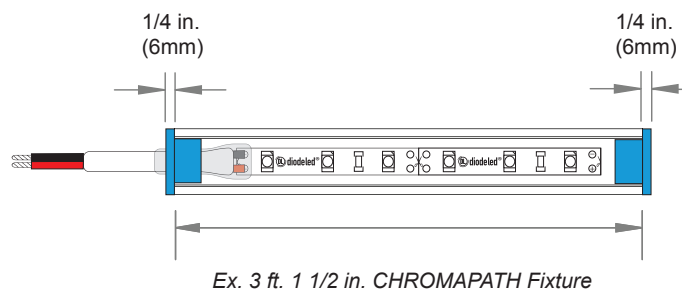
The simplest approach is to add 1 in. to CHROMAPATH Channel and Cover, which will provide space to fit end cap harness. The total channel length is now 3 ft. 1 in.



#### 1.3 DETERMINE CHROMAPATH FIXTURE LENGTH

Reflector end caps add additional 1/4 in. length to each side of CHROMAPATH channel.

**Total Length = 2x End Caps + CHROMAPATH Channel**

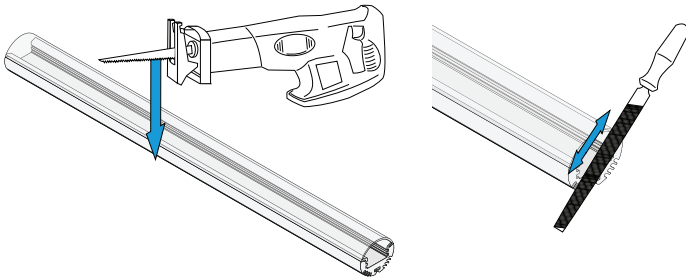


## INSTALLATION (CONT.)

### 2 CUT CHANNEL & COVER

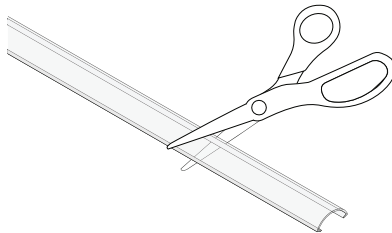
#### ALUMINUM CHANNELS

Channels can be cut to size with a bandsaw, rotary saw, or handsaw fitted with an appropriate blade to cut metal objects. Once cut, finish edges with metal file.



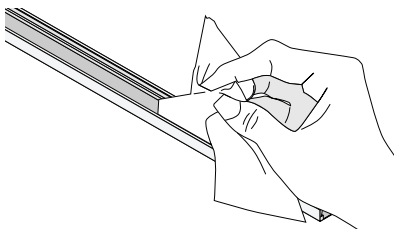
#### CHANNEL COVERS

Covers can be cut to size with heavy duty scissors or a saw.

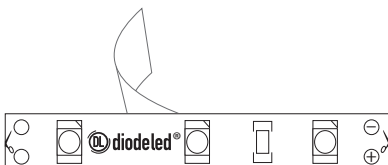


### 3 CLEAN CHANNEL AND ADHERE TAPE LIGHT

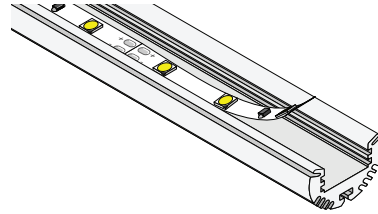
- 3.1** Run an alcohol wipe along the inside of the channel to remove any dust or debris. (Let dry completely before applying tape light)



- 3.2** Peel off 3M™ adhesive backing from Tape Light.



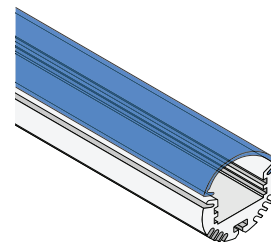
- 3.3** Press Tape Light gently but firmly against channel, taking care not to press directly on LEDs.



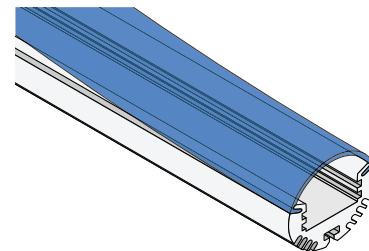
### 4 ASSEMBLE CHROMAPATH FIXTURE

#### 4.1 INSERT COVER

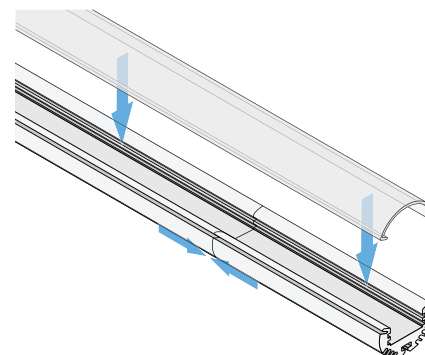
Fasten cover by firmly pressing one edge into channel, then the other.



- 4.2** Continue pressing in lens along channel until fully seated.



- 4.3** To bridge between two channels, lay channels end-to-end, then place cover over gap to keep ends flush.



# CHROMAPATH® CLOSET ROD CHANNEL

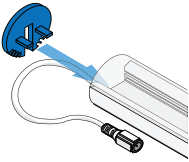
ALUMINUM CHANNEL

INSTALLATION GUIDE

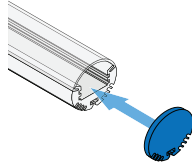
## INSTALLATION (CONT.)

**4.4** Attach end caps. Adhere with adhesive or glue if desired.

Open end cap

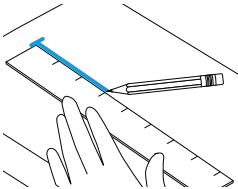


Closed end cap

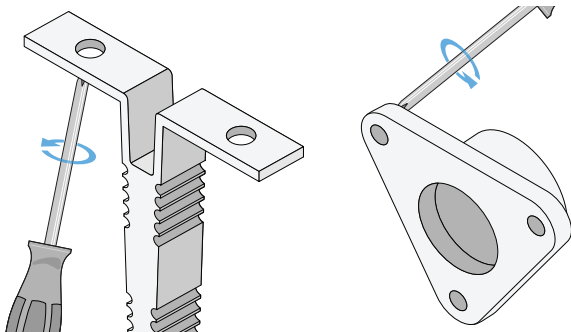


## 5 DRAW GUIDE LINE & FASTEN MOUNTING CLIPS

**a** Draw guide line with a ruler and pencil.

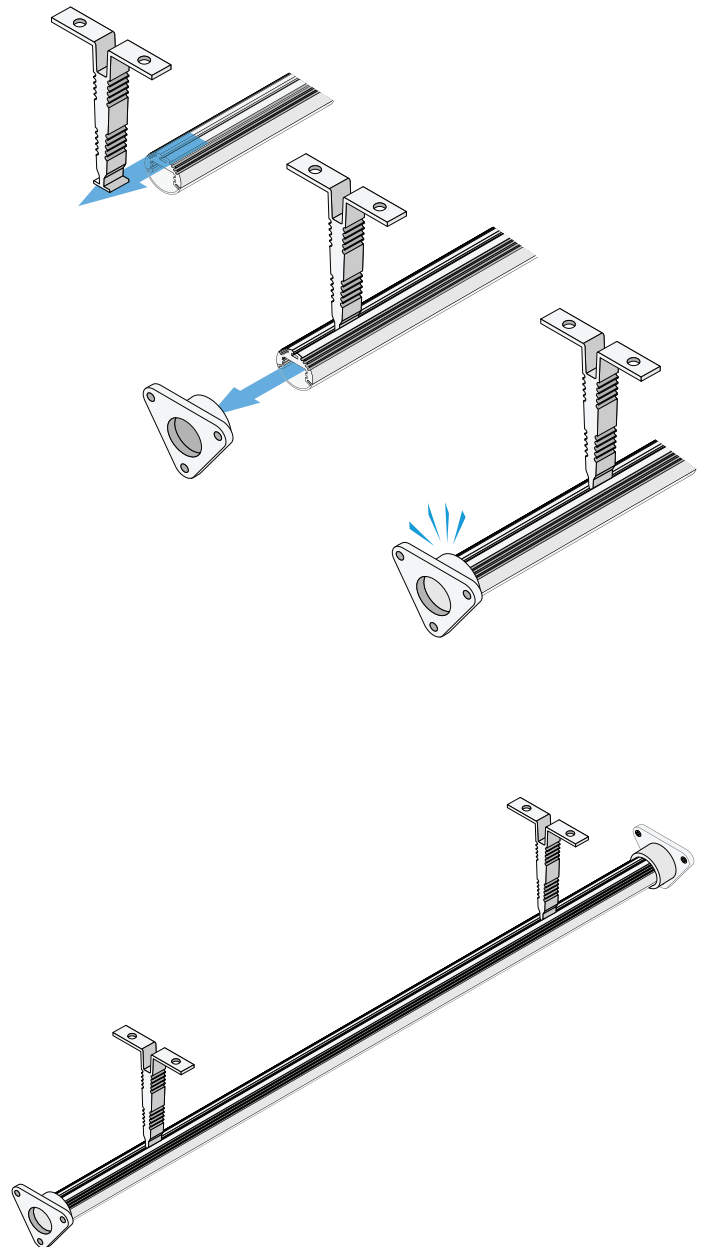


**b** Mark holes. Use one mounting arm every two feet of channel. Fasten with applicable screws w/ screwdriver or drill.



## 6 MOUNT CLOSET ROD FIXTURE

CLOSET ROD



Toll Free: 877.817.6028 | Fax: 415.592.1596 | [www.DiodeLED.com](http://www.DiodeLED.com) | [info@DiodeLED.com](mailto:info@DiodeLED.com)  
© 2025 Elemental LED, Inc. All rights reserved. Specifications are subject to change without notice.