

2" LED DOWNLIGHTS

650-850 LUMEN/120V/TRIAC-ELV

THE ALDER™ SYSTEM

Engineered for premium light quality and outstanding optical performance. The Alder System's sophisticated and minimalist design is suitable for any interior space.

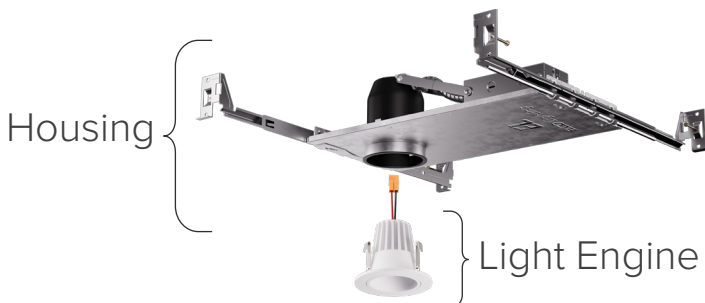


FEATURES

- IC and Non-IC, new construction and remodel housings available.
- Diecast and powder coated trims provide lasting durability.
- Easy to access driver from below is built onto the housing.
- Title 24 JA8-2022-E Compliant.
- Life Span 50,000 Hours L70.

SET UP

1. Select a Housing.
2. Select a Light Engine.



SPECIFICATIONS

Wattage	9W
Lumens	650lm - 850lm
Voltage	120V
Color Temp.	2700K, 3000K, 3500K, 4000K
CRI	90+
Wet Location	Fixed trims
Damp Location	Adjustable trims
Dimming	Triac/ELV
Beam Angle	36°
Finishes	<input type="text" value="White"/>

PRODUCT NUMBER BUILDER

◆ = ELCO's Choice

1. Specify housing part number

ALDER HOUSING

IC HOUSINGS Example: E2LC106ICA

ITEM	HOUSING		APPLICATION		SPECIFICATION	
E2LC						
E2LC	106	Double Wall (9W) ¹	(Blank) ◆	New Construction	ICA	IC Airtight
	175 ◆	Single Wall (9W) ²	R	Remodel ³		
		¹ Minimum 2x6 Plenum ² Minimum 2x4 Plenum		³ Only available as single Wall IC (175)		

◆ = ELCO's Choice

NON-IC HOUSINGS

ITEM	HOUSING		APPLICATION		SPECIFICATION	
E2L						
E2L	C	New Construction ¹	106	Single Wall (9W)	(Blank)	Non-IC
	RC	Remodel ¹				
		¹ Minimum 2x4 Plenum				

2. Specify light engine part number

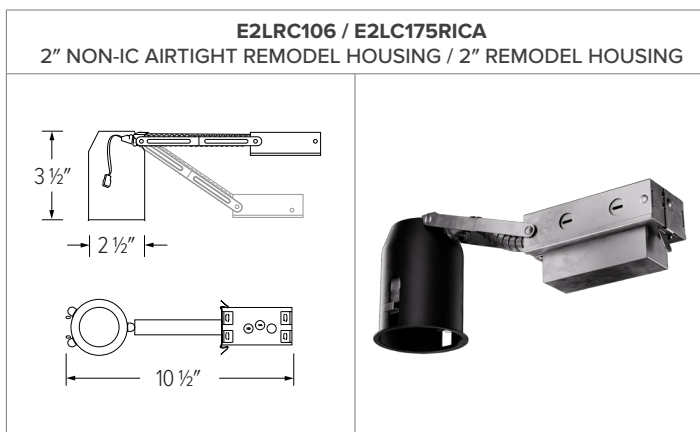
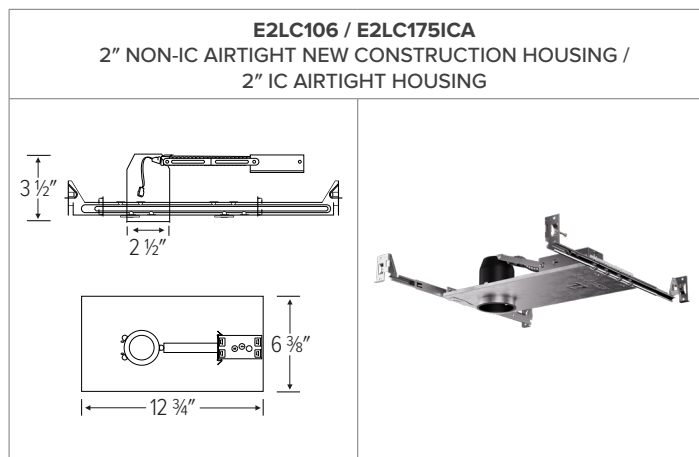
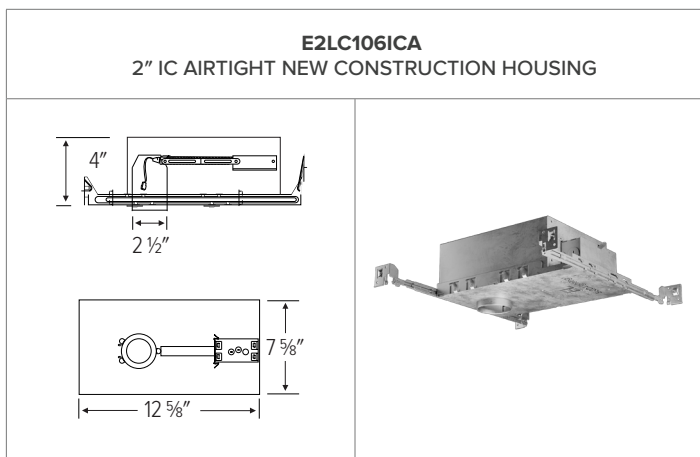
ALDER LIGHT ENGINES Example: E210C0627W

ITEM	STYLE		LUMEN		COLOR TEMP		FINISH	
E2								
E2	10C ◆	Round Reflector ¹	06	650 lm ³	27	2700K	W	White
	14C	Round Baffle ¹	07 ◆	850 lm	30 ◆	3000K		
	18C	Round Adjustable ²			35	3500K ⁴		
	13C	Square Reflector ¹			40	4000K ⁴		
	15C	Square Baffle ¹						
	19C	Square Adjustable ²						
		¹ Wet location listed ² Damp location listed		³ 27K and 30K only		⁴ For 850 lumen (07) option only		

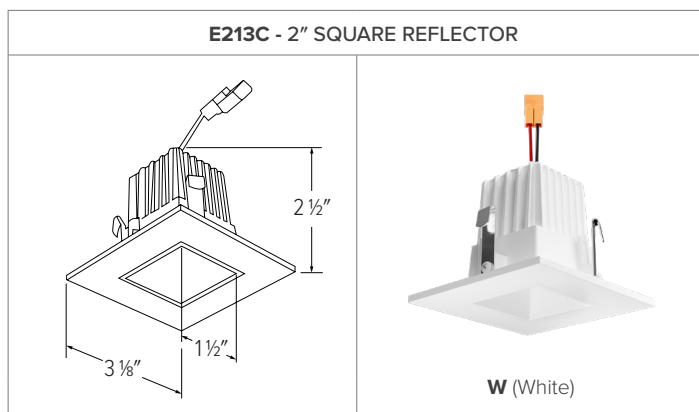
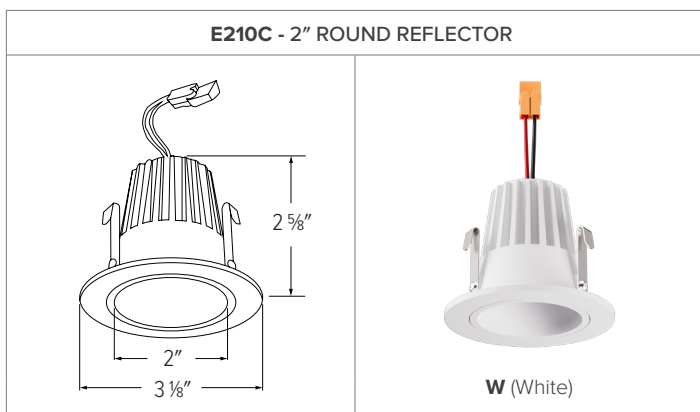
◆ = ELCO's Choice

PRODUCT DIMENSIONS

ALDER HOUSINGS

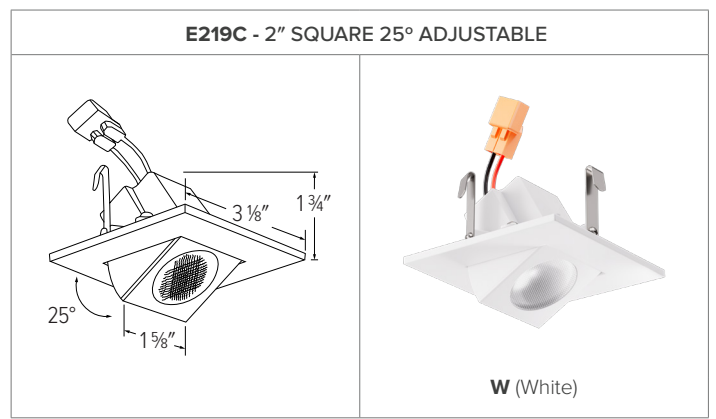
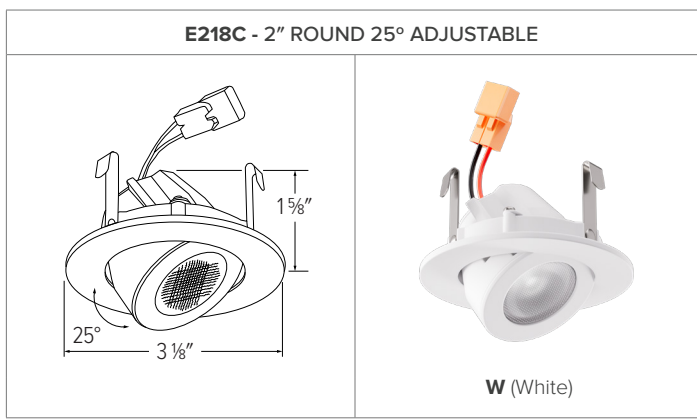
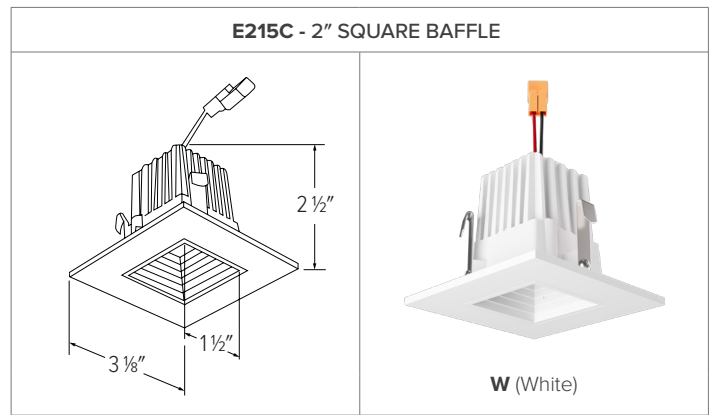
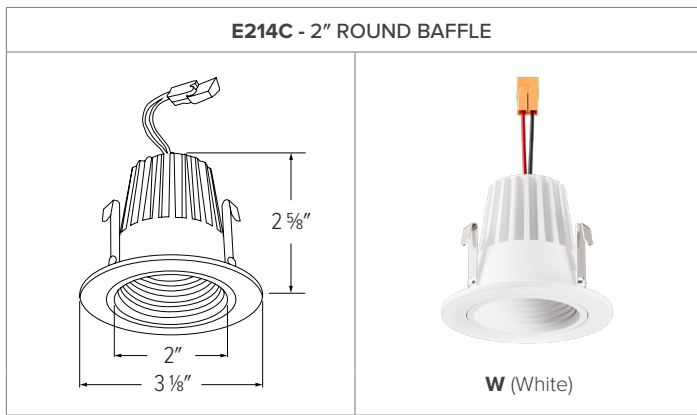


ALDER LIGHT ENGINES


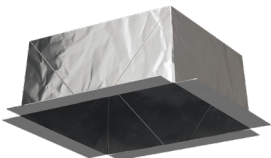




PRODUCT DIMENSIONS

ALDER LIGHT ENGINES



ACCESSORIES

KEM-LD3 / KEM-LD4 EMERGENCY BATTERY BACKUP	FIREENCL / FIREENCL-S 1-HOUR FIRE ENCLOSURE FOR RECESSED FIXTURES	FIRETAPE MICA ADHESIVE FIRE TAPE FOR FIRE ENCLOSURE	FIRECVR 2-HOUR FIRE COVER FOR RECESSED FIXTURES
			
<p>KEM-LD3 (8W, Up to 750 lm Emergency Output) KEM-LD4 (12W, Up to 1100 lm Emergency Output)</p> <p>Emergency battery backup. 90 minutes of emergency light. 20V/277V AC, 60Hz.</p>	<p>Standard - 9" H x 20 3/8" L x 14 3/8" W Shallow (-S) - 7 1/4" H x 16" L x 14 3/8" W</p> <p>Provides fire barrier around recessed lights. ETL approved 1-hour fire rating. Meets UL 263, ASTM E119 Specifications. To be used with Mica Tape to seal the power feeding point. (FIRETAPE sold separately)</p>	<p>3/4" W x 16' L</p> <p>Fire proof mica adhesive tape helps seal the power feeding point on Fire Enclosure. Offers outstanding high temperature and flame resistance, and provides excellent electrical insulation.</p>	<p>9 3/4" H x 17" O.D. x 13" I.D.</p> <p>Made of heat activated intumescent material. UL approved for most ceiling types: sheetrock drywall, gypsum & acoustical tiles. UL Rated enclosure stops flame spread and heat transmission for up to 2 hours.</p>

TECHNICAL DETAILS

Optics: PC Lens for even lumen distribution. 36° beam angle.

Housing Construction: New construction housing adjusts in frame to accommodate up to 1 ¼" ceiling thickness. Aluminum housing for greater heat dissipation. Stamped galvanized steel frame. Driver mounted on junction box for cooler LED operation.

Light Engine Construction: Diecast construction for lasting quality and greater heat dissipation. High quality powder coat finish preventing rust and paint cracking.

Installation: Maximum hole cutout is 2 5/8". Suitable for T-grid and drop ceiling applications. See installation sheet for detailed information.

Junction Box: Positioned to accommodate straight conduit runs.

E2LC106ICA: Three ½" trade size pry-out knockouts, One ¾" knockout, One ¼" knockout. Four Romex pry-outs with strain relief for easy romex installation. Strain clamps to install or remove covers for easy access and grounding.

E2LC106, E2LRC106, E2LC175ICA, E2LC175RICA: Two ¼" trade size knockouts with conduit fitting provided.

Hanger Bars: Pre-installed hanger bars with True Nail easy installation in regular lumber, engineered lumber, and Laminated Beams. Integral T-bar slots for easy installation in T-Bars. Spans up 24" and can be repositioned 90°. Score lines allow for tool-free hanger bar size reduction. Integral leveling flange allows for single-person installation while aligning the housings with the joists.

Emergency Battery Pack (For E2LC106ICA): Optional 90 minute battery pack available with test indicator switch. Note that double wall housings require Access From Above Ceiling for Battery Maintenance.

LED Technology:

- Extremely accurate color rendering with 93+ CRI.
- Efficacy up to 93 lumens per watt.
- Lumen Maintenance of 50,000 hours L70 based on LM80 standardized test results.
- Superior Thermal Management by utilizing diecast aluminum trim body as heat sink.

Dimmability: Works with 120V Triac and ELV type dimmers. Dims down to 10%. For full list of dimmers refer to the Dimmer Compatibility List.

Electrical: Driver connects to 120V power supply. High Efficiency driver with a power factor > 0.9.

Listings: cUL Listed for Wet Location with fixed trims. cUL Listed for Damp Location with adjustable trims. Title 24 JA8-2019 Compliant.

Warranty: ELCO Products are built to last with a 5-year Limited warranty.

DIMMER COMPATIBILITY CHART

FOR REFERENCE ONLY

Testing conducted by ELCO Lighting is not a substitute for and does not imply certification by an independent laboratory or any other standards certification. Refer to manufacturer specifications for more detailed information on product certifications and standards. Consult the dimmer manufacturer prior to installation to ensure compatibility.

MANUFACTURER	PRODUCT	PART NUMBER	DIMMED LIGHT OUTPUT RANGE
Cooper	Decorator Dimmer, 120V 60Hz, 300W for LED and CFL, 600W for Incandescent, Single Pole, 3-Way, Polycarbonated Housing	DLC03P	10% - 100%
Leviton		1A1505 / IC1605	10% - 100%
	SureSlide, 120V AC 60Hz, 600W for LED and CFL, 600W for Incandescent, Single Pole, 3-Way, Polycarbonated Housing	6631 / 6633	10% - 100%
Lutron	Skylark Contour, 120V AC, 60Hz, 600W Incandescent/Halogen, Single Pole, 3-Way Indoor Application, Residential/Commercial Application	CT-603PG / CT-600PR	10% - 100%
	Diva, 120V AC, 60Hz, 600W Incandescent/Halogen, Single Pole, 3-Way, Residential/Commercial Application	DV-600PR / DV603PG	10% - 100%
	Diva, 120V, 60Hz, 150W LED/CFL, 600W Incandescent/Halogen, Single Pole, 3-Way	DVW-603PGH / DVCL-153P	10% - 100%
	Maestro, 120V, 50/60Hz, 150W LED/CFL, 600W Incandescent/Halogen, Single Pole, 3-Way	MACL-153M / TGCL-153P	10% - 100%
	Skylark, Single Pole 600W Incandescent/Halogen, Slide-to-Off Dimmer	S-600PR / S-2-LH	10% - 100%

***NOTE: Refer to dimmer manufacturer's documentation for installation instructions and circuit details**

Disclaimer: Minimum and maximum loads for LEDs and CFLs are given in number of lamps and may vary depending on the lamp being used. Testing conducted by ELCO Lighting is not a substitute for and does not imply certification by an independent laboratory or any other standards certification. Refer to manufacturer specifications for more detailed information on product certifications and standards.

Integrating our lighting with your Smart Home System is a breeze. Simply check your Smart Home system for compatible smart switches and cross reference that with our Dimming Compatibility Chart.

Once the switches are integrated with your Smart Home system your lights will be ready to go.

