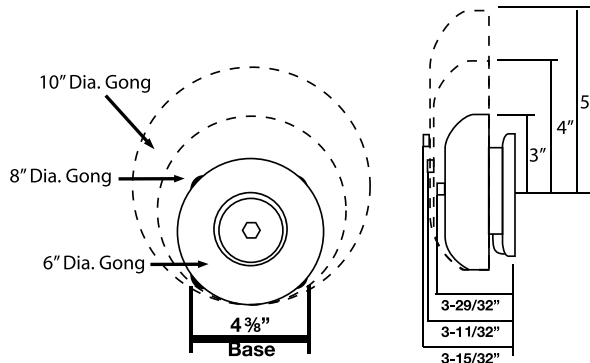


ELECTRIC ALARM BELL



DESCRIPTION:

- 120 VAC: 6", 8", 10"
- 24 VDC: 6", 8", 10"
- Four wire, 120 and 24 volt
- Specify voltage when ordering
- Indoor and outdoor Installation

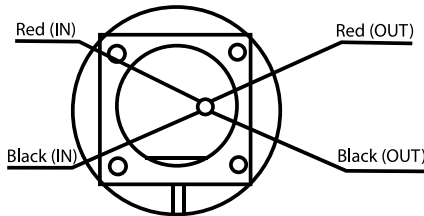


VOLTAGE 24 VDC					
6" GONG SIZE - AB2406		8" GONG SIZE - AB2408		10" GONG SIZE - AB2410	
RATED CURRENT	SOUND LEVEL 10ft	RATED CURRENT	SOUND LEVEL 10ft	RATED CURRENT	SOUND LEVEL 10ft
100mA	96dB	100mA	96dB	100mA	96dB

VOLTAGE 120 VAC					
6" GONG SIZE - AB12006		8" GONG SIZE - AB12008		10" GONG SIZE - AB12010	
RATED CURRENT	SOUND LEVEL 10ft	RATED CURRENT	SOUND LEVEL 10ft	RATED CURRENT	SOUND LEVEL 10ft
46mA	98dB	46mA	98dB	46mA	98dB

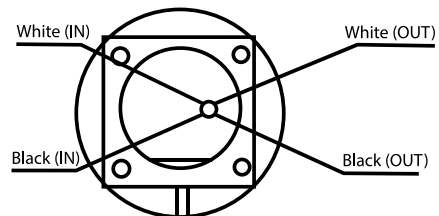
WIRING INSTRUCTIONS

D.C. BELLS (observe polarity)



- When electrical supervisor is required use in and out leads as shown.
1. Observe polarity to ring DC Bells
 2. Red wires positive(+)
 3. Black wires negative (-)

A.C. BELLS



- When electrical supervisor is required use in and out leads as shown.
1. When using AC bells, terminate each extra wire separately after last bell.
 2. End-of-line resistor is not required on AC Bells

PROJECT	APPROVAL STAMP
PROJECT:	<input type="checkbox"/> APPROVED
ADDRESS:	<input type="checkbox"/> APPROVED AS NOTED
ENGINEER:	<input type="checkbox"/> NOT APPROVED
SUBMITTAL DATA:	REMARKS:
NOTES 1:	
NOTES 2:	