

CAL COMPACT AREA LIGHT (120-277V OR 120-347V)

WARNING/ADVERTENCIA/AVERTISSEMENT

To reduce the risk of electrical shock, fire, or injury to persons; read and follow all warnings and installation instructions before installing. All installation should be performed by a qualified electrician.

Risk of Electric Shock

Ensure power is off before installation or inspection. All wirings are performed in accordance with Electrical Code and local electrical code.

Risk of Fire

Fixtures are rated for use in 120-277V or 120-347V, 50-60Hz protected circuit and 90°C rated supply wire.

Para reducir el riesgo de descarga eléctrica, incendio o lesiones a personas, lea y siga todas las advertencias e instrucciones de instalación antes de realizarla. Toda instalación debe ser efectuada por un electricista cualificado.

Riesgo de descarga eléctrica

Asegúrese de desconectar la corriente antes de la instalación o inspección. Todos los cableados se realizan de acuerdo con el Código Eléctrico y el código eléctrico local.

Riesgo de incendio

Los accesorios están clasificados para su uso en circuitos protegidos de 120-277 V o 120-347 V, 50-60 Hz y cable de alimentación con clasificación de 90 °C.

Lisez et suivez les instructions d'installation et les avertissements avant l'installation. Toute l'installation doit être exécutée par un électricien qualifié, pour réduire les risques de choc électrique, de feu ou de blessures corporelles.

Risque de choc électrique

Assurez-vous que le courant soit coupé avant l'installation ou l'inspection et que tout le câblage soit effectué en conformité avec le code d'électricité et le code local d'électricité.

Risque de feu

Les luminaires sont conçus pour être utilisés dans un circuit protégé de 120 à 277 V ou de 120 à 347 V, de 50 à 60 Hz et avec un fil d'alimentation évalué à 90 °C.

FOR YOUR SAFETY

While performing installations described, gloves, safety glasses or goggles should be worn.

PARA SU SEGURIDAD

Mientras realice las instalaciones descritas, se recomienda el uso de guantes y gafas de seguridad.

POUR VOTRE SÉCURITÉ

Vous devriez porter des gants et des verres de protection lors des installations détaillées.

Install this kit only in the luminaire that have the construction features and dimensions shown in the photographs and/or drawings. Do not make or alter any open holes in an enclosure of wiring or electrical components during kit installation.

To prevent wiring damage or abrasion, do not expose wiring to edges of sheet metal or other sharp objects.

Do not alter, relocate, or remove wiring, lampholders, power supply, or any other electrical component.

SUITABLE FOR WET LOCATIONS.

Instale este kit solo en la luminaria que tiene las características de construcción y dimensiones que aparecen en las fotografías y/o dibujos. No realice ni altere los agujeros abiertos en un recinto de cableado ni en cualquier componente eléctrico durante la instalación del kit.

Para evitar daños en el cableado o abrasiones, no exponga el cableado a hojas de metal laminado u otros objetos cortopunzantes.

No altere, reubique o elimine cables, portalámparas, tomacorriente o cualquier otro componente eléctrico.

APTO PARA LUGARES HÚMEDOS.

Installez cet ensemble seulement dans un luminaire qui possède les caractéristiques de construction et les dimensions telles que démontrées sur les photographies et/ou dessins. Ne pas percer de trous ou modifier les trous existants dans un boîtier ou des composants électriques durant l'installation de l'ensemble.

Pour prévenir les dommages ou l'abrasion, ne pas mettre en contact le câblage avec des bords de plaques de metal ou tout autre objet coupant.

Ne pas modifier, délocaliser ou enlever du câblage, des supports de lampes, une source d'alimentation ou tout autre composant électrique.

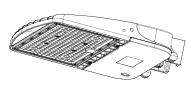
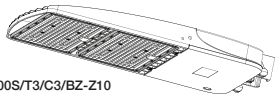



CONVIEN AUX ENDROITS HUMIDES.

This is important with an uneven wall surface. Silicone all plugs and unused conduit entries. For wet location compliance, fixture must be properly sealed. For moisture seal, apply silicone caulking between the mounting surface and back housing, as well as around the sides of the housing. This is important with uneven wall surface.

Esto es importante con una superficie de pared irregular. Silicona todos los tapones y entradas de conductos no utilizados. Para cumplir con la ubicación húmeda, el accesorio debe estar sellado adecuadamente. Para sellar contra la humedad, aplique sellador de silicona entre la superficie de montaje y la carcasa trasera, así como alrededor de los lados de la carcasa. Esto es importante en caso de paredes con superficies irregulares.

Ceci est important en cas de surface murale inégale. Siliconez tous les bouchons et entrées de conduits inutilisés. Pour être conforme aux emplacements humides, le luminaire doit être correctement scellé. Pour assurer l'étanchéité à l'humidité, appliquez un calfeutrage au silicone entre la surface de montage et l'arrière du boîtier, ainsi que sur les côtés du boîtier. Ceci est important en cas de surface murale inégale.

INSIDE THE BOX

<p>Compact Area Light</p>  <p>CAL/150S/T3/C3/BZ-Z10 (AC120-277V) CAL/150S/T3/C3/BZ/347-Z10 or (AC120-347V)</p> <p>with one of the mounting arms</p>  <p>CAL/300S/T3/C3/BZ-Z10 (AC120-277V)</p>	<p>Mounting Arm</p>  <p>8" Pole Mount (PM8) (P10365)</p>  <p>Slip Fitter (SF) (P10366)</p>  <p>13" Yoke mount (YK) (P10367)</p>
---	---



SCAN ME

Plusrite USA
2000 S. Grove Ave, Bldg B
Ontario CA 91761

T:909-930-6868
T:888-758-7443
F:909-930-9988

www.natural^{ed}.com

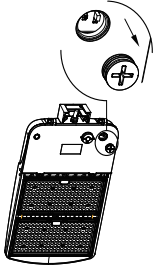
CAL COMPACT AREA LIGHT (120-277V OR 120-347V)

INSTALLATION/INSTALACIÓN

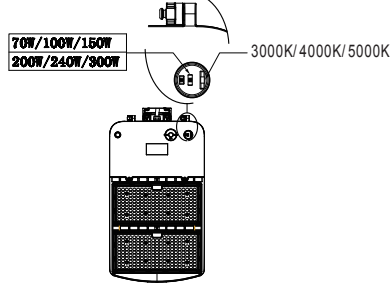
Disconnect the power before installation / Desconecte la alimentación antes de la instalación / Débranchez l'alimentation avant l'installation

CCT & Watts Selectable Operation Instruction

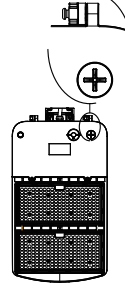
1, Use a Phillips screwdriver to unscrew the cover counterclockwise.



2, Selected the desired CCT and watts on the DIP switch.



3, Use a Phillips screwdriver to screw the cover clockwise and tighten it.

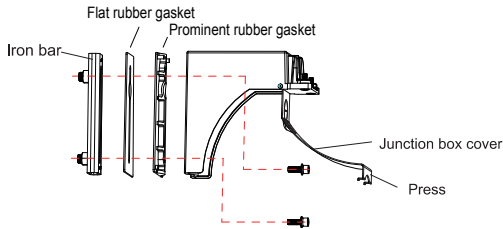


Factory Settings:
CAL/150S/T3/C3/BZ-Z10 150W / 5000K
CAL/300S/T3/C3/BZ-Z10 300W / 5000K

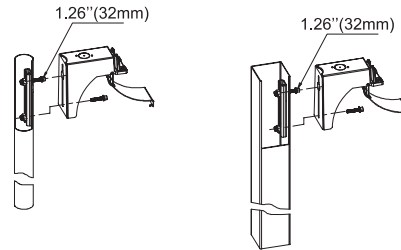
Note: Please use S3 Allen wrench(1/8)
if you need to open driver box.
(screw size: M5*20mm)

8 inch Pole Mount (P10365)

Step1: Unscrew the screws with a screwdriver, remove the iron bar, press junction box cover of Pole Mount bracket to open it.



Step 2: Put the iron bar inside of pole, fix it with a screw, but reserve gaps of 32mm, pass the Pole Mount bracket through the screw and hang it on the screw, tighten this screw, pass the 2nd screw through the holes of Pole Mount bracket, pole and iron bar, then tighten it with a wrench.



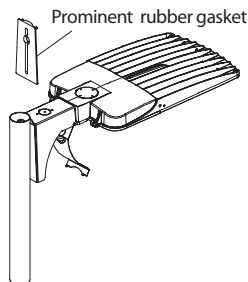
Step3: Run the fixture's input wire through the Pole Mount bracket.



Step 4: Hang the fixture on Pole Mount bracket, lock the fixture by tightening screws through bracket with allen wrench.



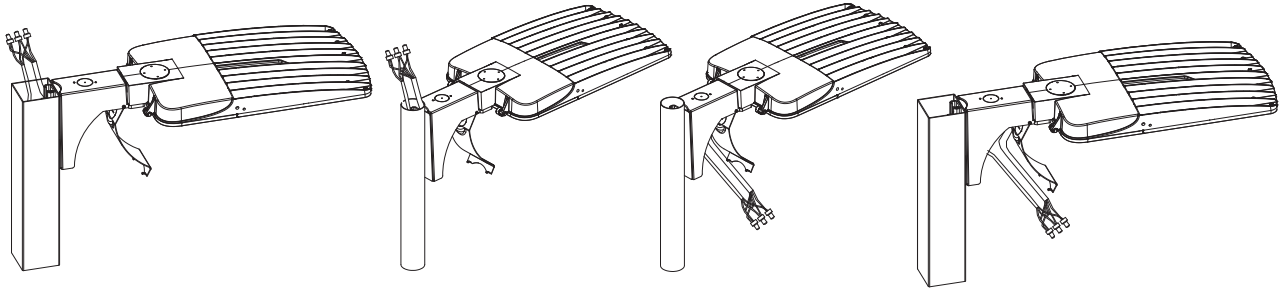
Note: When installing on a round pole, please remove the prominent rubber gasket as shown in figure. Just keep flat rubber gasket for installation.



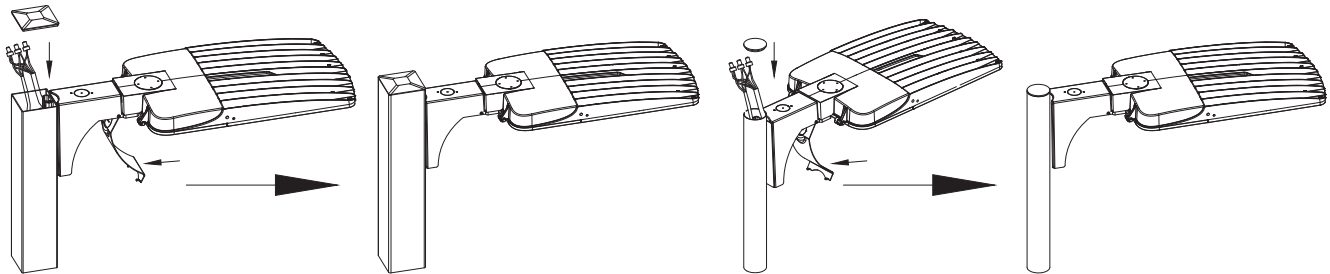
See Wiring Diagram in Page 4

8 inch Pole Mount (P10365)

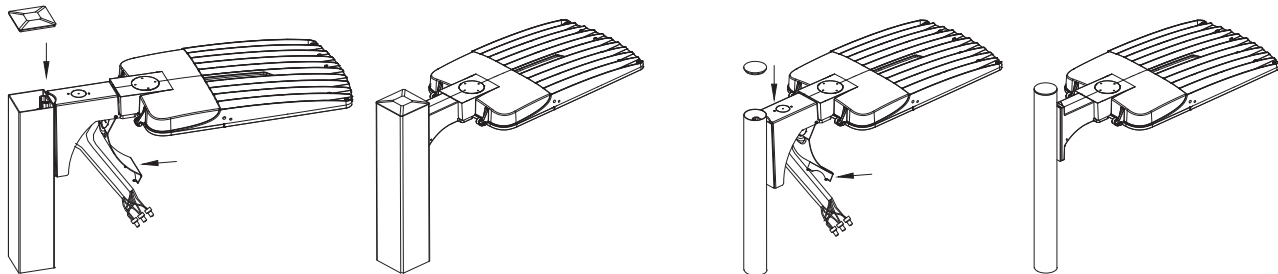
Step 5 : Get the fixture's input wire through out the wiring hole into pole, connect wires inside pole, or the wires out from pole pass through wiring hole into junction box for connection. Close the pole's top cover, as well as junction box cover.



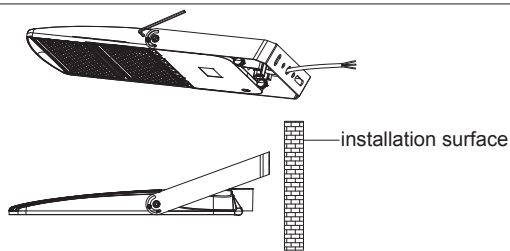
Step 6: 1). Push the connected wires inside of the pole, close the pole's top cover, close the Pole Mount junction box cover.



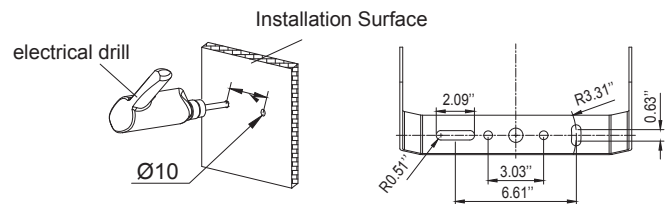
Step 6: 2). Put the connected wires into the Pole Mount junction box, close the junction box cover, close the pole's top cover.



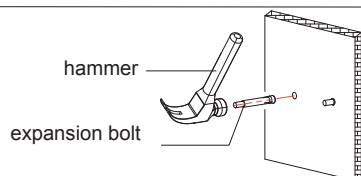
Yoke (P10367) 13''



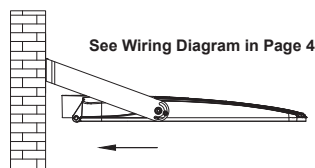
Step 1 . Loosen the screws on both sides of the bracket with a wrench, adjust Yoke bracket's angle to keep parallel with its installation surface.



Step 2 . Mark the fixing holes locations on the wall with Yoke bracket, then drill the hole in 10mm diameter with an electric drill.



Step 3 : Knock the two expansion bolts(not included) into wall with ahammer.

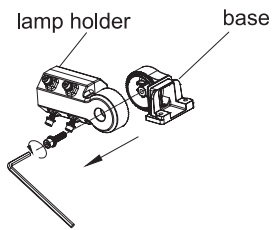


Step 4: Install the Yoke bracket to the wall with expansion screw by tightening the nut with a wrench. Connecting fixture AC input wire to L N G, then make waterproof processing to joints, put wires into junction box.

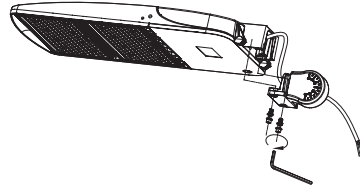
Note: The adjustable angel range is 0-180 °.

Slip Fitter (P10366) 2.5" inner Diameter

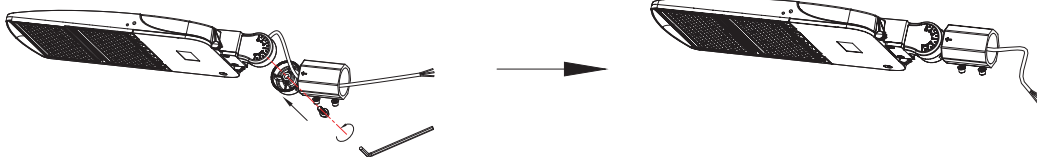
Step 1 : Disassemble the Slip Fitter with a wrench.



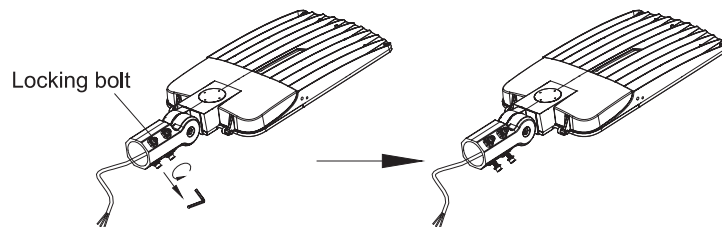
Step 2: Run the fixture's AC input wire through the base, then tighten screws to assemble fixing base to fixture body.



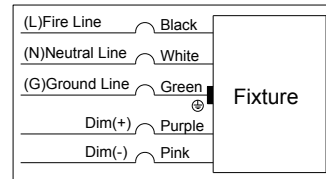
Step 3: Run the fixture's input wire through the lamp holder and lock it.



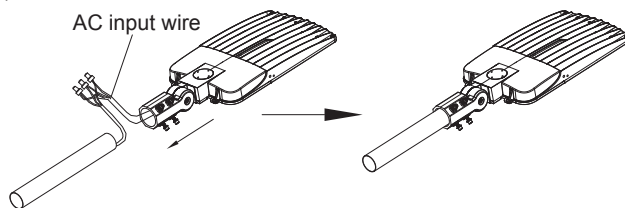
Step 4: Loosen the 4 locking bolts on the Slip Fitter by a wrench.



Wiring Diagram

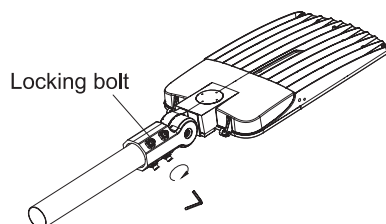


Step 5: Connect the fixture's AC input wire to pole-wire with connectors, L to L (black), N to N (White), G to G (Green); If need to connect dimming wires, please also use the connector to connect "Dim +"(purple) to "Dim +"(purple), "Dim -"(pink) to "Dim -"(pink).



See Wiring Diagram

Step 6: Tighten the 4 locking bolts.



Step 7: Loosen the locking bolt in the Slip Fitter by a wrench to adjust fixture to a appropriate angle, adjustable angle range $\pm 90^\circ$, then tighten this locking bolt.

