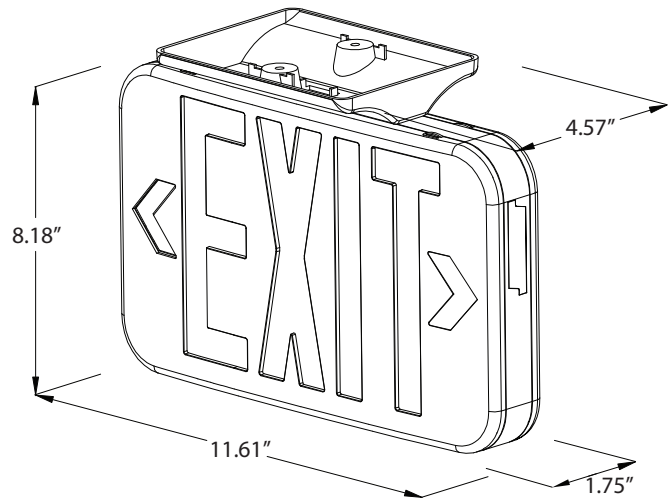


INSTALLATION INSTRUCTIONS FOR EMERGENCY LIGHTING

Package Contents

Model : **JEX-G/R-WH**

INCLUDED		
Part	Description	Quantity
1	Exit Sign	1
2	Hardware Kit	1

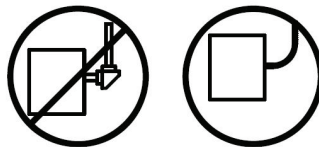


Warnings and Cautions

IMPORTANT SAFEGUARDS READ AND FOLLOW ALL SAFETY INSTRUCTIONS

1. Review Installation instructions and diagrams thoroughly.
2. Installation and servicing should be performed by a qualified electrician.
3. Disconnect AC power and unplug battery before installation and/or servicing.
4. Not suitable for use outdoors.
5. Do not mount in hazardous locations including near gas or electric heaters.
6. Use caution when servicing batteries and avoid any possible shorting.
7. All electrical connections shall be in accordance with local and National Electrical Code.
8. Do not use this equipment other than for its intended use.
9. Allow battery to charge for 24-hours before first use.

Use Flexible Conduit Only



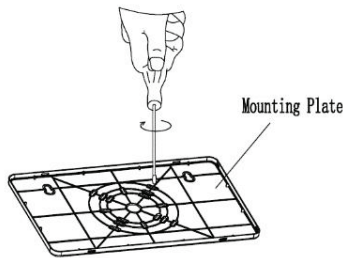
NOTE: First turn off electricity.

Wall Mounting

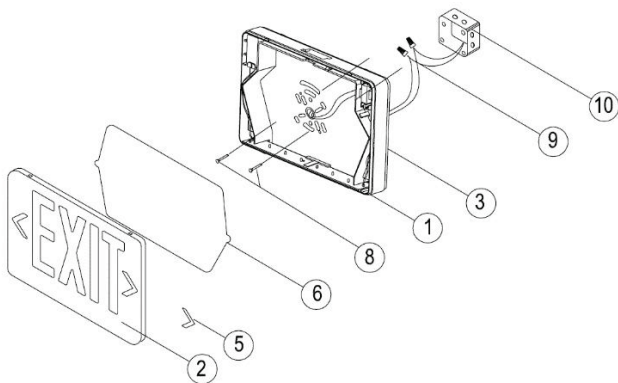
1. Remove mounting plate from fixture.



2. Knockout in back of mounting plate and push wires through the hole.



3. Securely attach mounting plate to J-box (not included)



4. ELECTRICAL CONNECTIONS

Make the proper supply wire connections.

If using 120VAC, connect the black and white wires to the building utility.

If using 277VAC, connect the orange and white wires to the building utility.

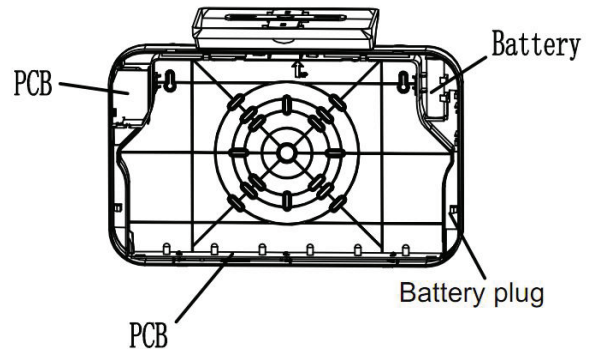


Black
120VAC
INPUT

White
Neutral

Orange
277VAC
INPUT

5. Connect the battery to connector on the PCBA.

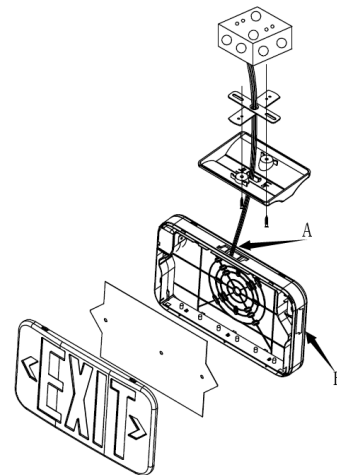


6. Snap fixture onto mounting plate and ensure no wires are pinched. Make sure unit is fully attached.

7. Restore power and press test button. Battery powered LED will come on, AC light will turn off.

Side or Ceiling Mounting

1. Open to cover and knockout on the top of the fixture.
2. Secure the mounting plate to tube with nut.
3. Push the open cover and knockout on the top of fixture.



4. Reference step 4-8 in side or ceiling mounting.

Notice: Red and Green Exit Light switchable

Place DIP switch at R for red letter



Place DIP switch at G for green letter

