

LITEBAR™ LB SERIES



PRODUCT DESCRIPTION:

MaxLite LED LiteBars™ offer endless possibilities for designing functional or decorative lighting. Linkable in continuous runs, LiteBars produce beautiful, even light with superior dimming performance. Ultra-compact and simple to mount, the bars can navigate the tightest corners and illuminate the smallest spaces with ease.

FEATURES:

- Dimmable down to 10%, with forward phase or reverse phase dimmers
- Patent-pending integrated connector allows LiteBars to be connected for long runs of up to 40'
- 3 mounting options available: Standard bracket, Pivot bracket, Magnetic mounting
- Hardwire and plug-in configurations available
- Suitable for damp locations
- 120 Vac operation at 60Hz
- Supports Compliance of CEC T-20 2016

CONSTRUCTION:

Enclosure: High quality extruded aluminum.

Diffuser: Architectural-grade diffuser eliminates unsightly hot spots and ensures an even, pleasing distribution of light.

Driver: Built-in integral driver maximizes efficiency without sacrificing light output, and allows for easy LiteBar connection and lengthening.

APPLICATION:

- Under cabinet
- Cove lighting
- Accent & indirect lighting
- Wall washing
- Display
- Base cabinet toe kick
- **Not suitable for outdoor use**

MODEL SELECTION		Typical order example: LB06927	
LB			
FAMILY	SIZE	CRI	CCT
LB=LITEBAR	06=6"	(OMIT)=80 CRI	27 ¹ =2700K
	12=12"	9 ¹ =90 CRI	30 ² =3000K
	24=24"		35=3500K
	36=36"		40 ³ =4000K
	48=48"		50=5000K

¹90 CRI is special order and only available in 2700K and 3000K
²3000K is special order only in all cases
³6", 12", 24" in 4000K are special order.

MODEL #	MAXIMUM INTERCONNECTED UNITS	DIMENSIONS
LB06xxx	80	6"x0.74"x0.78"
LB12xxx	40	12."x0.74"x0.78"
LB24xxx	20	24"x0.74"x0.78"
LB36xxx	13	36"x0.74"x0.78"
LB48xxx	10	48"x0.74"x0.78"

SPECIFICATIONS (80 CRI):		LB06XX	LB12XX	LB24XX	LB36XX	LB48XX
ITEM	SPECIFICATION	DETAILS				
GENERAL PERFORMANCE	Power Consumption	2.1	4.3	7.9	12.2	16.0
	Lumens	148	341	657	987	1,330
	Efficacy (lm/W)	70	79	84	81	83
	CRI	>80				
	Color Temperature (K)	2700K, 3000K, 3500K, 4000K, 5000K				
	L70 Lifetime (hours)	≥50,000				
	Color Consistency	Proprietary binning for uniform color				
ELECTRICAL	Power Factor	>0.9				
	Input Voltage	120V				
	Compatible Dimmers	See List of Compatible Dimmers				
PHYSICAL	Mounting	Standard bracket, Pivot bracket, Magnetic				
	Operating Temperature	0°F - 104°F				
CERTIFICATION	Certification	cULus, FCC, Supports Compliance of CEC T-20 2016				
	Material Usage	ROHS compliant				
	Environment	Damp locations, Not suitable for outdoor use				
	Warranty	5 years. Check maxlite.com/warranties for details.				

SPECIFICATIONS (90 CRI):		LB069XX	LB129XX	LB249XX	LB369XX	LB489XX
ITEM	SPECIFICATION	DETAILS				
GENERAL PERFORMANCE	Power Consumption	2.1	4.2	7.5	11.75	15.0
	Lumens	119	267	529	808	1,066
	Efficacy (lm/W)	58	64	70	69	71
	CRI	>90				
	Color Temperature (K)	2700K, 3000K				
	L70 Lifetime (hours)	≥50,000				
	Color Consistency	Proprietary binning for uniform color				
ELECTRICAL	Power Factor	>0.9				
	Input Voltage	120V				
	Compatible Dimmers	See List of Compatible Dimmers				
PHYSICAL	Mounting	Standard bracket, Pivot bracket, Magnetic				
	Operating Temperature	0°F - 104°F				
CERTIFICATION	Certification	cULus, FCC, Supports Compliance of CEC T-20 2016				
	Material Usage	ROHS compliant				
	Environment	Damp locations, Not suitable for outdoor use				
	Warranty	5 years. Check maxlite.com/warranties for details.				

90 CRI is special order and only available in 2700K and 3000K

CRI 80 ORDERING:

ORDER CODE	ITEM NUMBER	DESCRIPTION	CCT (K)
1409841	LB0627	LiteBar 6" 80 CRI 2700K	2700
1409843	LB0635	LiteBar 6" 80 CRI 3500K	3500
1409845	LB0650	LiteBar 6" 80 CRI 5000K	5000
1409846	LB1227	LiteBar 12" 80 CRI 2700K	2700
1409848	LB1235	LiteBar 12" 80 CRI 3500K	3500
1409850	LB1250	LiteBar 12" 80 CRI 5000K	5000
1409851	LB2427	LiteBar 24" 80 CRI 2700K	2700
1409853	LB2435	LiteBar 24" 80 CRI 3500K	3500
1409855	LB2450	LiteBar 24" 80 CRI 5000K	5000
1409866	LB3627	LiteBar 36" 80 CRI 2700K	2700
1409868	LB3635	LiteBar 36" 80 CRI 3500K	3500
1409869	LB3640	LiteBar 36", 12W, 80 CRI 4000K	4000
1409870	LB3650	LiteBar 36" 80 CRI 5000K	5000
1409856	LB4827	LiteBar 48" 80 CRI 2700K	2700
1409858	LB4835	LiteBar 48" 80 CRI 3500K	3500
140989	LB4840	LiteBar 48", 16W, 80 CRI 4000K	4000
1409860	LB4850	LiteBar 48" 80 CRI 5000K	5000

COMPATIBLE DIMMERS:

BRAND	MODEL NUMBER
Lutron	DVCL-153PL
Lutron	DVELV-300P
Lutron	CTCL-153P
Lutron	S-600P
Lutron	CTELV-303P
Lutron	LGCL-153P
Lutron	MACL-153M
Leviton	6684
Leviton	6683
Leviton	6681
Leviton	6631-Lw

*Please contact your MaxLite representative to order products that don't have order codes listed here.

LITEBAR ORDERING METHOD:

STEP ONE: Sketch Installation

***STEP TWO:** Choose LiteBars:

QTY___LB06xxx QTY___LB12xxx QTY___LB24xxx QTY___LB36xxx QTY___LB48xxx

STEP THREE: Choose Power Feed(s):

QTY___LB-HWC70 QTY___LB-PC48

STEP FOUR: Choose Wiring Box:

QTY___LB-CBOX QTY___LB-DBOX

STEP FIVE: Choose Connectors:

QTY___LB-BBC QTY___LB-BBCF4 QTY___LB-BBCF12 QTY___LB-BBCF40 QTY___LB-BBCR QTY___LB-BBCL

STEP SIX: Choose Mounting Brackets (2pcs per):

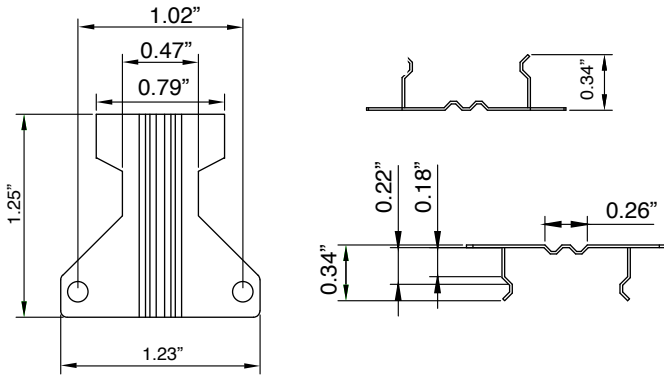
QTY___LB-MB QTY___LB-PMB QTY___LB-MMB

ACCESSORIES:

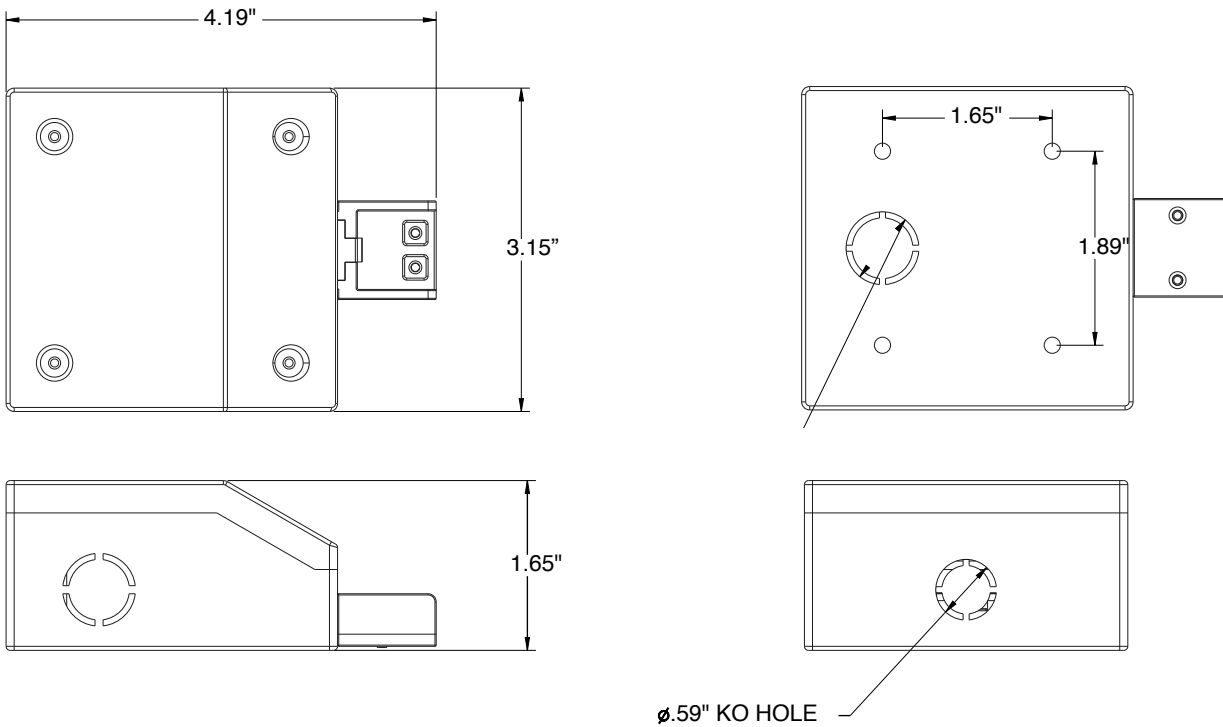
MODEL NUMBER	DESCRIPTION	PRODUCT IMAGE
LB-BBC	Bar- Bar Connector	
LB-BBCF4	Bar-Bar Connector, Flexible 4"	
LB-BBCF12	Bar-Bar Connector, Flexible 12"	
LB-BBCF40	Bar-Bar Connector, Flexible 40"	
LB-BBCR	Bar-Bar Connector, 90 deg right	
LB-BBCL	Bar-Bar Connector, 90 deg left	
LB-MB	Mounting Bracket (2pcs per)	
LB-PMB	Pivot Mounting Bracket (2pcs per)	
LB-MMB	Magnetic Mounting Bracket (2pcs per)	
LB-CBOX	Connector Box	
LB-DBOX	Distribution Box	
LB-HWC70	70" Hardwire Cord	
LB-PC48	40" Plug Cord	

LINE DRAWINGS

ITEM: LB-MB



ITEM: LB-CBOX



ø.59" KO HOLE