

# LineDRIVE Power Supply

## 24VDC Electronic Dimmable Multi-Output Drivers Specification Sheet



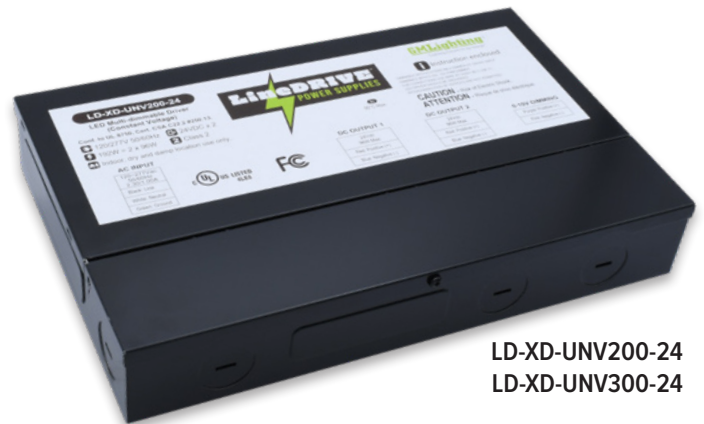
### PRODUCT OVERVIEW

Multi-Dim LineDRIVE power supplies offer stable operation with standard line voltage and low voltage dimmer controls to make installation easy. Compatible with Triac, ELV, MLV and 0-10V dimmers for a wide array of applications. Dimming down to 1%.

### FEATURES

- Output: Class 2, 24VDC, constant voltage
- Multi-output drivers have 2 or 3 output channels for powering several Class 2 loads from one unit
- Input: 120V / 277V
- Dimmable: Triac, ELV, MLV, 0-10V, PWM dimming
- Minimum dimming: 1%
- Stable operation, flicker-free dimming
- Compatible with typical phase dimmers and 0-10V controls
- Integrated wiring compartments with separate line voltage and low voltage sections
- Line voltage compartment meets NEC code, up to (3) 12 AWG conductors
- Over-current, over-voltage and over-temperature protection

Project Name	Type
Catalog #	Date



LD-XD-UNV200-24  
LD-XD-UNV300-24

### ORDERING INFORMATION

Example: LD-XD-UNV200-24

Catalog No.	Series	Type	Watts	Voltage
LD	XD	UNV	200	24
			300	

# LineDRIVE Power Supply

## 24VDC Electronic Dimmable Multi-Output Drivers Specification Sheet

**GMLighting®**



LD-XD-UNV200-24  
LD-XD-UNV300-24

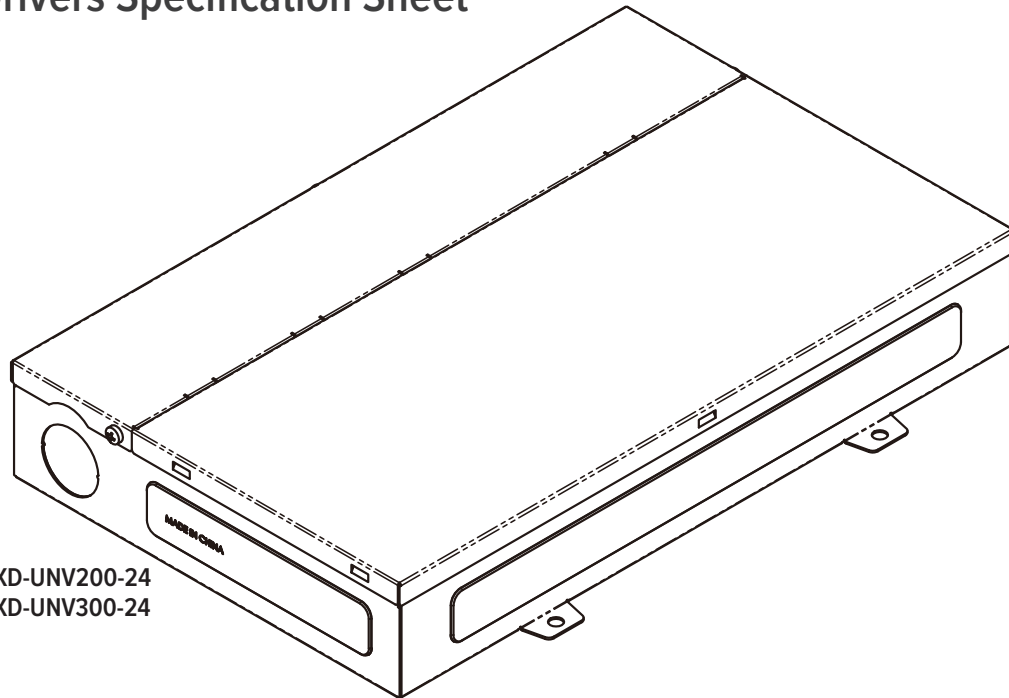
SPECIFICATIONS		
Model	LD-XD-UNV200-24	LD-XD-UNV300-24
Dimensions	9.51"L x 6.35"W x 1.59"H	9.51"L x 6.35"W x 1.59"H
Max output power	(2 channels x 96W) 192W Total	(3 channels x 96W) 288W Total
Outputs	2 separate channels	3 separate channels
Output voltage	24V	24V
Output current	(2 channels x 4A Max)	(3 channels x 4A Max)
Open circuit voltage	25V	25V
Input voltage range	120/277VAC ± 10%, 50/60Hz	120/277VAC ± 10%, 50/60Hz
Max input current	2.30A @120V, 1.00A@277V	3.00A @120V, X.XXA@277V
Power factor (80~100% load)	> 0.90	> 0.90
Efficiency at 120V / 277V	89% / 91%	90% / 92%
Loading	Recommended minimum: for best dimming performance: 10% for ELV, Triac, 0-10V, PWM dimming, 40% for MLV dimming. Maximum: 100%	
Dimming	Minimum dimming: 1% Phase dimming only at 120VAC (Triac, ELV, MLV) Low voltage dimming at 120VAC or 277VAC (0-10V, 10V PWM dimming)	
THD (80~100% load)	< 20%	
Load regulation	± 5%	
Line regulation	± 5%	
Turn-on delay time	< 0.5s	
Surge rating	2.5KV for Combination Wave / Ring Wave	
Protection	<b>Over voltage protection:</b> Hiccup mode. Protection will trigger when load voltage exceed specified output voltage and will auto recover after the fault mode is removed. <b>Over current protection:</b> Hiccup mode. Protection will trigger when load current exceed specified output current and will auto recover after the fault mode is removed. <b>Short circuit protection:</b> Hiccup mode. Protection will trigger when short circuit and will auto recover after the fault mode is removed. <b>Over temperature protection:</b> Protection will trigger when driver overheat and auto-recovery when cooled down.	
Certifications / Compliance	UL listed for US and Canada (Complies with UL 8750, CSA C22.2 No 250) UL Class 2 (low voltage output) UL type HL (hazardous location, Class I, Division 2) FCC, 47CFR Part 15, Class B (consumer limit) Title 24 (JA8) certified	
Maximum case temperature	90°C	
Operating temperature	-40°F to 140°F (-40°C to 60°C)	
Humidity	5% to 95%	
Life rating	90,000 hours at 120Vac input, 100% load and 60°C case temperature	
Application	IP20, indoor dry and damp locations	
Cooling	Free air convection	
Input leads	12", UL 1316/1015 #18AWG (Black, White and Green)	
Output leads	12", UL 1316 #18AWG (Red and Blue)	
Dimming leads	12", UL 1316/1430 #22AWG (Purple and Pink)	
Case	Black powder coated steel	

# LineDRIVE Power Supply

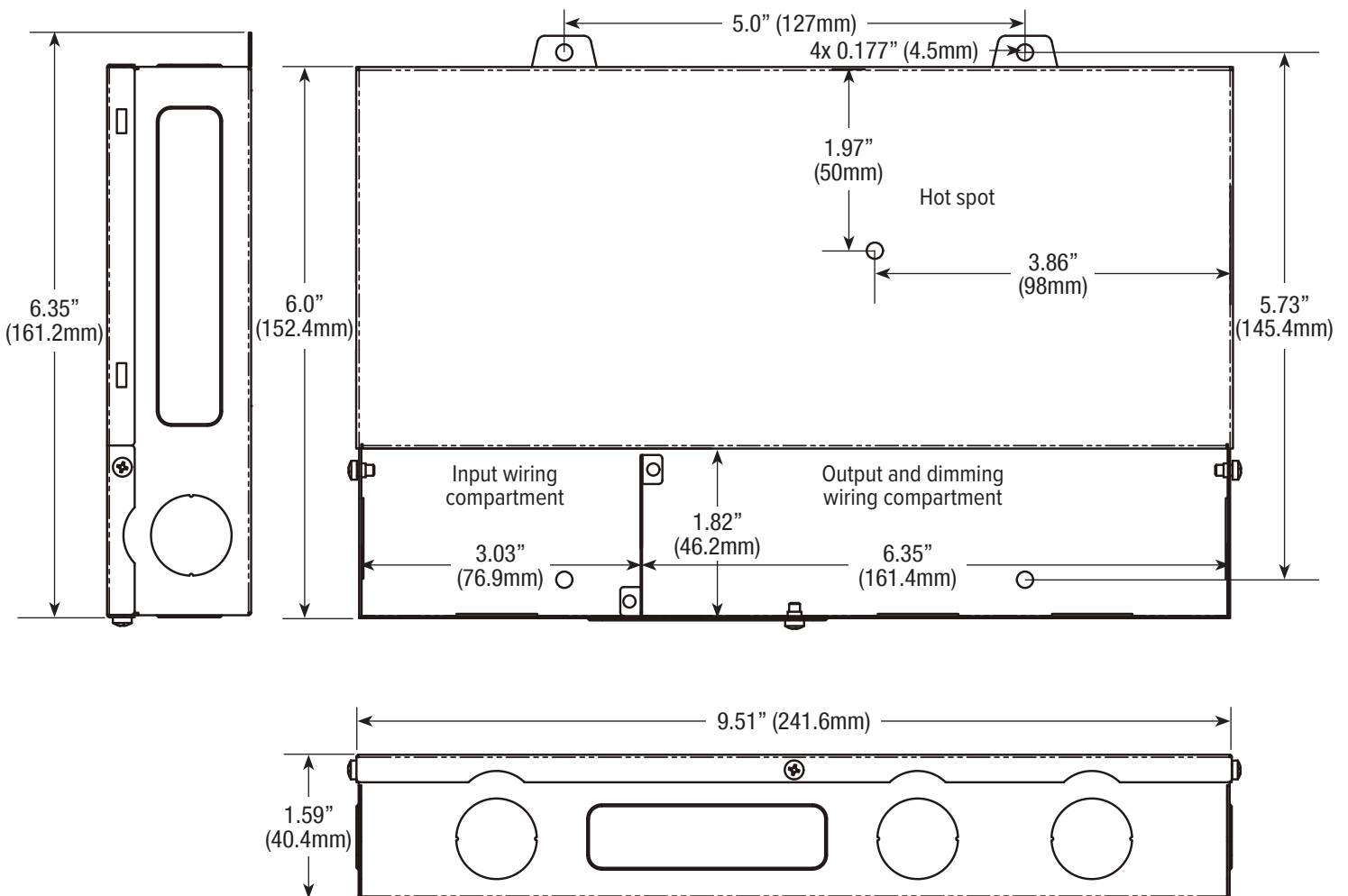


## 24VDC Electronic Dimmable Multi-Output Drivers Specification Sheet

### DIAGRAM



LD-XD-UNV200-24  
LD-XD-UNV300-24



# LineDRIVE Power Supply

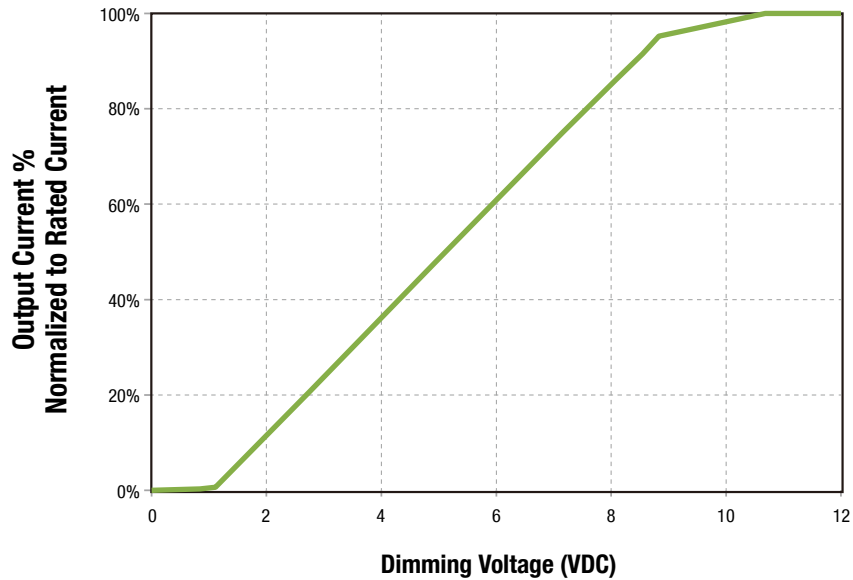


## 24VDC Electronic Dimmable Multi-Output Drivers Specification Sheet

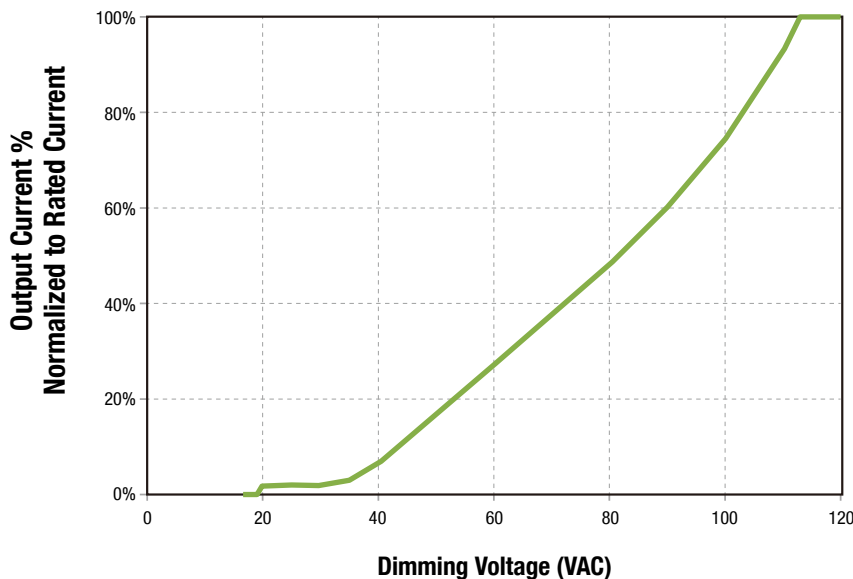
### DIMMING CURVES FOR:

LD-XD-UNV200-24  
LD-XD-UNV300-24

### 0-10V Dimming Curve (Full load)



### Triac Dimming Curve (Full load)



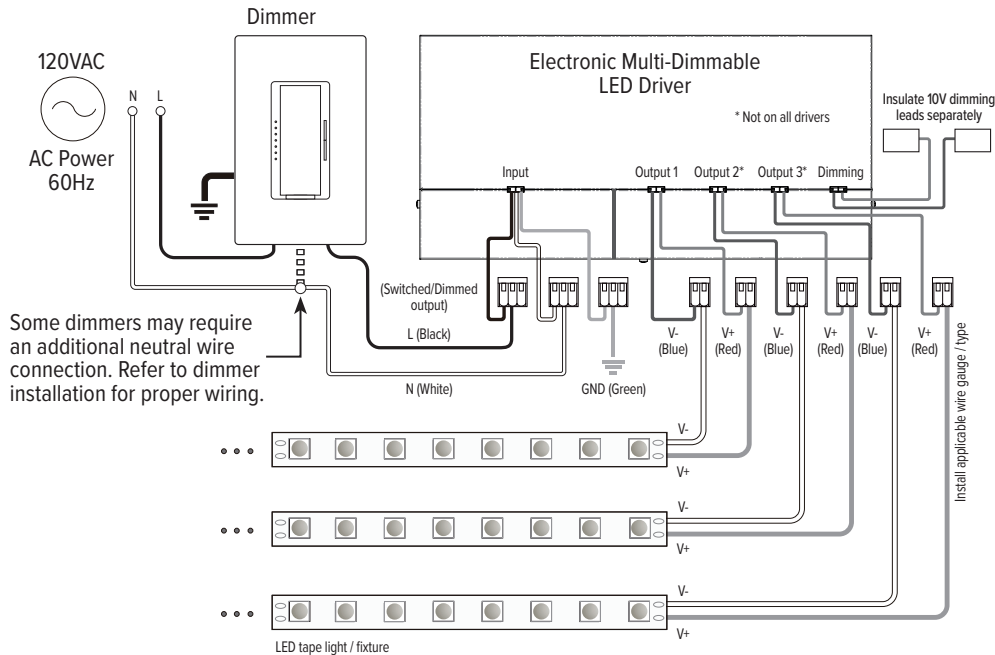
## 24VDC Electronic Dimmable Multi-Output Drivers Specification Sheet

### WIRING DIAGRAMS

The following diagrams are provided as example system designs. Install in accordance with national and local electrical code regulations.

**CAUTION:** Do not connect output leads together for drivers with 2 or 3 sets of outputs. Keep each set of output leads separated. See LED load specifications for maximum series run limits. Be sure to match driver output voltage to load voltage.

#### Connect with ELV/MLV/Triac Dimmer (120VAC input only)



#### Connect with 0-10V, 10V PVM Dimmer (120VAC or 277VAC input)

