

# LineDRIVE Power Supply

## 24VDC Electronic Dimmable Single Output Drivers Specification Sheet



Project Name	Type
Catalog #	Date

### PRODUCT OVERVIEW

Multi-Dim LineDRIVE power supplies offer stable operation with standard line voltage and low voltage dimmer controls to make installation easy. Compatible with Triac, ELV, MLV and 0-10V dimmers for a wide array of applications. Dimming down to 1%.

### FEATURES

- Output: Class 2, 24VDC, constant voltage
- Input: 120V / 277V
- Dimmable: Triac, ELV, MLV, 0-10V, PWM dimming
- Minimum dimming: 1%
- Stable operation, flicker-free dimming
- Compatible with typical phase dimmers and 0-10V controls
- Integrated wiring compartments with separate line voltage and low voltage sections
- Line voltage compartment meets NEC code, up to (3) 12 AWG conductors
- Over-current, over-voltage and over-temperature protection



LD-XD-UNV20-24  
LD-XD-UNV40-24



LD-XD-UNV60-24  
LD-XD-UNV96-24

### ORDERING INFORMATION

Example: LD-XD-UNV20-24

Catalog No.	Series	Type	Watts	Voltage
LD	XD	UNV	20	24
			40	
			60	
			96	

# LineDRIVE Power Supply

## 24VDC Electronic Dimmable Single Output Drivers Specification Sheet



LD-XD-UNV20-24  
LD-XD-UNV40-24



LD-XD-UNV60-24  
LD-XD-UNV96-24

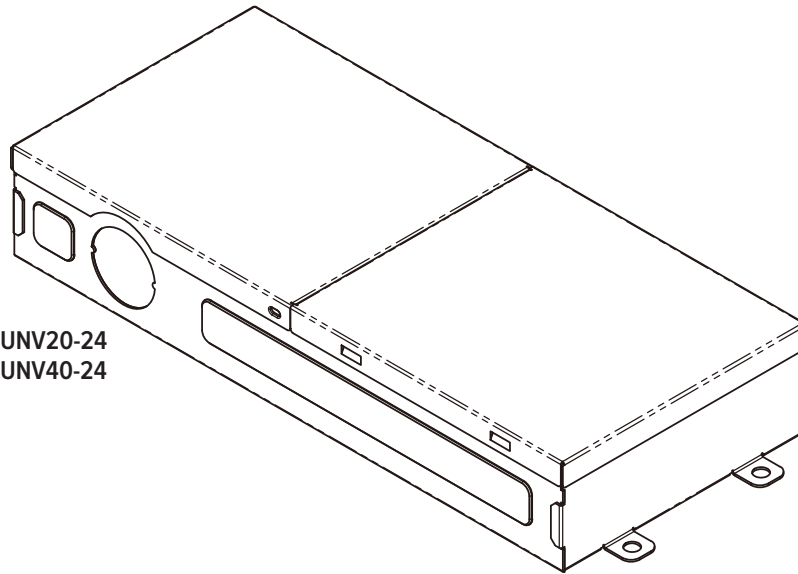
SPECIFICATIONS				
Model	LD-XD-UNV20-24	LD-XD-UNV40-24	LD-XD-UNV60-24	LD-XD-UNV96-24
Dimensions	7.93"L x 3.36"W x 1.33"H	7.93"L x 3.36"W x 1.33"H	8.29"L x 4.10"W x 1.59"H	8.29"L x 4.10"W x 1.59"H
Max output power	<b>20W</b>	<b>40W</b>	<b>60W</b>	<b>96W</b>
Outputs	1 Output Channel	1 Output Channel	1 Output Channel	1 Output Channel
Output voltage	24V	24V	24V	24V
Output current	Max 0.83A	Max 1.67A	Max 2.5A	Max 4A
Open circuit voltage	25V	25V	25V	26V
Input voltage range	120/277VAC ± 10%, 50/60Hz	120/277VAC ± 10%, 50/60Hz	120/277VAC ± 10%, 50/60Hz	120/277VAC ± 10%, 50/60Hz
Max input current	0.21A @120V, 0.13A@277V	0.43A @120V, 0.20A@277V	0.75A @120V, 0.33A@277V	1.05A @120V, 0.45A@277V
Power factor (80~100% load)	> 0.94	> 0.94	> 0.94	> 0.94
Efficiency at 120V / 277V	83% / 80%	84% / 83%	83% / 85%	83% / 86%
Loading	Recommended minimum: for best dimming performance: 10% for ELV, Triac, 0-10V, PWM dimming, 40% for MLV dimming. Maximum: 100%			
Dimming	Minimum dimming: 1% Phase dimming only at 120VAC (Triac, ELV, MLV) Low voltage dimming at 120VAC or 277VAC (0-10V, 10V PWM dimming)			
THD (80~100% load)	< 20%			
Load regulation	± 5%			
Line regulation	± 5%			
Turn-on delay time	< 0.5s			
Surge rating	2.5KV for Combination Wave / Ring Wave			
Protection	<b>Over voltage protection:</b> Hiccup mode. Protection will trigger when load voltage exceed specified output voltage and will auto recover after the fault mode is removed. <b>Over current protection:</b> Hiccup mode. Protection will trigger when load current exceed specified output current and will auto recover after the fault mode is removed. <b>Short circuit protection:</b> Hiccup mode. Protection will trigger when short circuit and will auto recover after the fault mode is removed. <b>Over temperature protection:</b> Protection will trigger when driver overheat and auto-recovery when cooled down.			
Certifications / Compliance	UL listed for US and Canada (Complies with UL 8750, CSA C22.2 No 250) UL Class 2 (low voltage output) UL type HL (hazardous location, Class I, Division 2) FCC, 47CFR Part 15, Class B (consumer limit) Title 24 (JA8) certified			
Maximum case temperature	90°C			
Operating temperature	-40°F to 140°F (-40°C to 60°C)			
Humidity	5% to 95%			
Life rating	85,000 hours at 120Vac input, 100% load and 60°C case temperature			
Application	IP20, indoor dry and damp locations			
Cooling	Free air convection			
Input leads	12", UL 1316/1015 #18AWG (Black, White and Green)			
Output leads	12", UL 1316 #18AWG (Red and Blue)			
Dimming leads	12", UL 1316/1430 #22AWG (Purple and Pink)			
Case	Black powder coated steel			

# LineDRIVE Power Supply

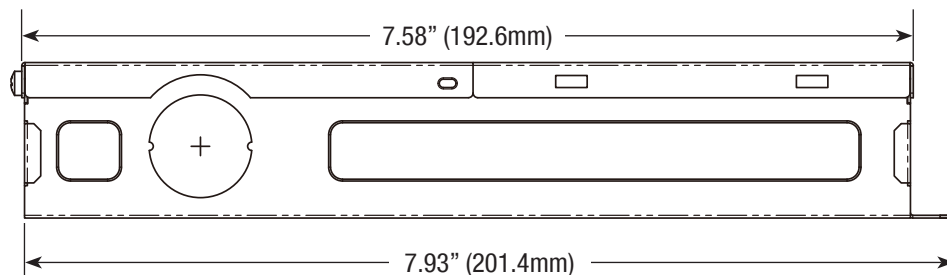
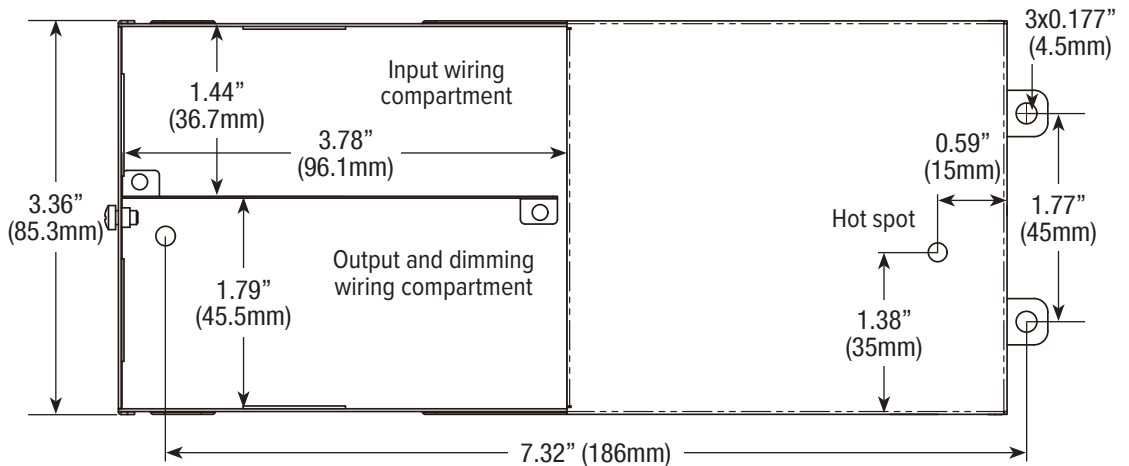
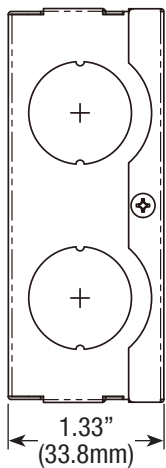


## 24VDC Electronic Dimmable Single Output Drivers Specification Sheet

### DIAGRAM



LD-XD-UNV20-24  
LD-XD-UNV40-24

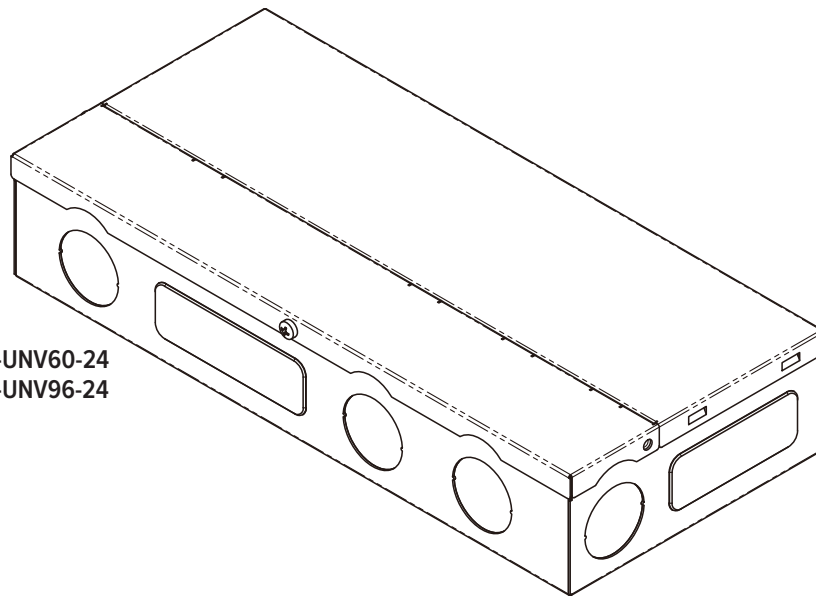


# LineDRIVE Power Supply

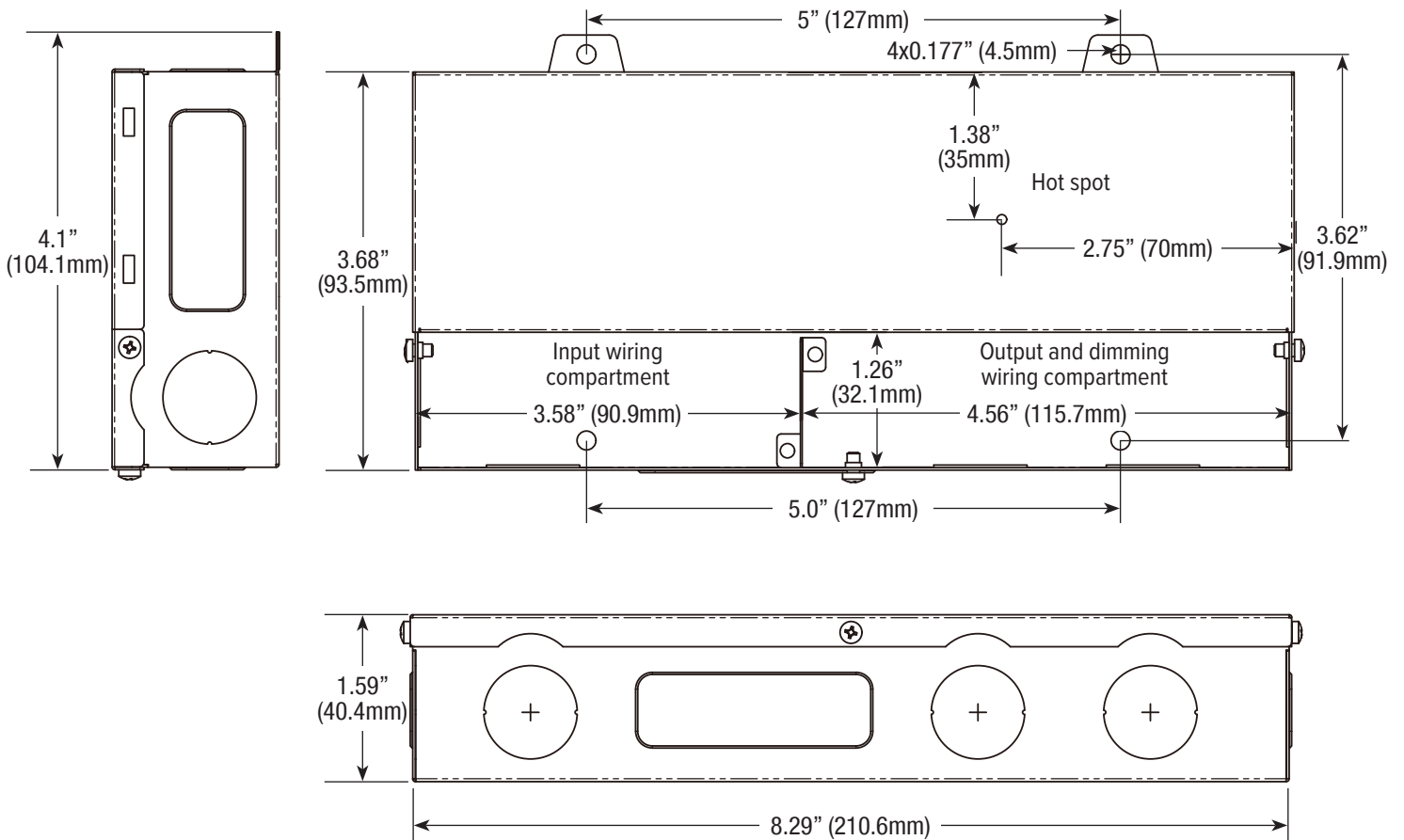


## 24VDC Electronic Dimmable Single Output Drivers Specification Sheet

### DIAGRAM



LD-XD-UNV60-24  
LD-XD-UNV96-24

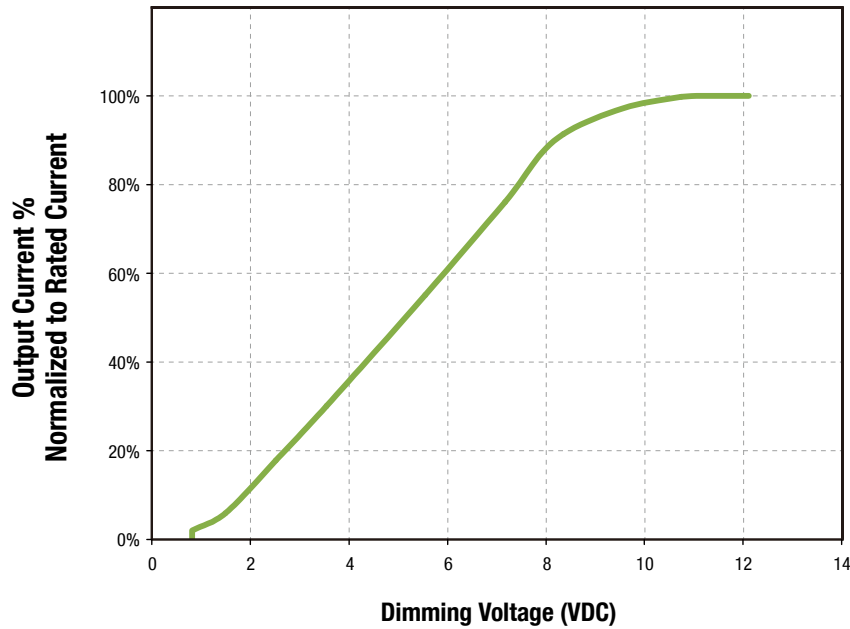


## 24VDC Electronic Dimmable Single Output Drivers Specification Sheet

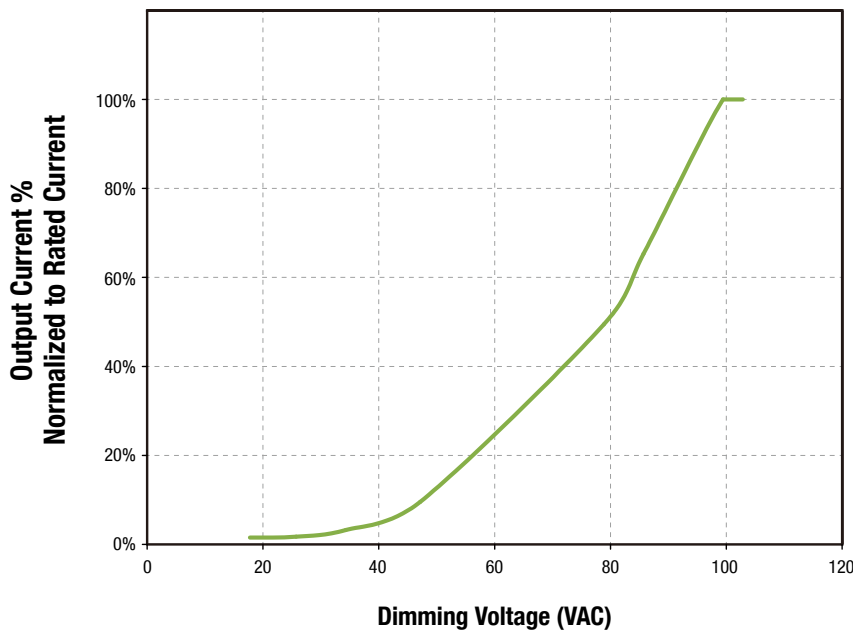
### DIMMING CURVES FOR:

- LD-XD-UNV20-24
- LD-XD-UNV40-24
- LD-XD-UNV60-24
- LD-XD-UNV96-24

### 0-10V Dimming Curve (Full load)



### Triac Dimming Curve (Full load)



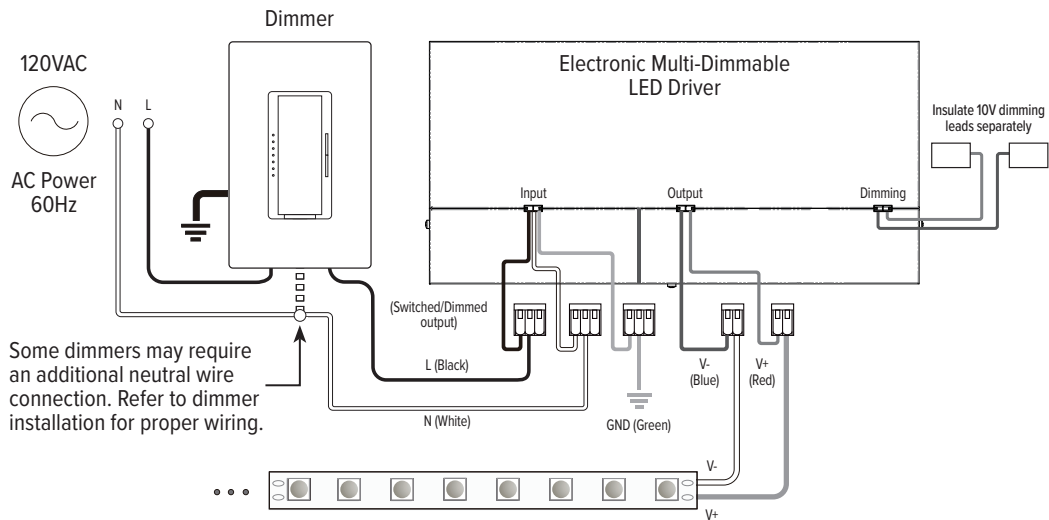
## 24VDC Electronic Dimmable Single Output Drivers Specification Sheet

### WIRING DIAGRAMS

The following diagrams are provided as example system designs. Install in accordance with national and local electrical code regulations.

See LED load specifications for maximum series run limits. Be sure to match driver output voltage to load voltage.

#### Connect with ELV/MLV/Triac Dimmer (120VAC input only)



#### Connect with 0-10V, 10V PVM Dimmer (120VAC or 277VAC input)

