

FEATURES & SPECIFICATIONS

INTENDED USE — Available in 1x4, 2x2 and 2x4 configurations, the LITHONIA® FRAME offers a modern, upscale aesthetic with functionality and performance to match. The Frame features selectable lumen output and switchable color temperature to allow you to fine tune the look and feel of your space. Featuring the latest optical technology, the Frame is designed to provide the same lighting specifications as a traditional LED flat Panel.

CONSTRUCTION — At the heart of the FRAME design is the 'snap' together assembly which provides unrivaled value in terms of shipping, storage and installation. The extruded aluminum frame features an outer shield to limit glare while providing uplight to add an asthetically pleasing glow to the ceiling tile above. The remote mount driver features integral T-bar clips to easily mount into the ceiling and allow for easy access for maintenance.

ELECTRICAL — Long-life LED's, coupled with high-efficiency drivers provide superior quality of light and an extended service life. 80% LED lumen maintenance at 60,000 hours (L80/60,000). 0-10 volt dimming driver, dims to 10%.

INSTALLATION — With an installed depth of only 2.1" and very lightweight design, the FRAME makes for an easy installation, especially in restricted plenum applications. The FRAME fits into standard 15/16" and narrow 9/16" T-grid ceiling systems. Suitable for damp location.

LISTINGS — CSA certified to meet US and Canadian standards. Damp location listed. IC rated. DesignLights Consortium® (DLC) Premium qualified product. Not all versions of this product may be DLC Premium qualified. Please check the DLC Qualified Products List at www.designlights.org/QPL to confirm which versions are qualified.

WARRANTY — 5-year limited warranty. This is the only warranty provided and no other statements in this specification sheet create any warranty of any kind. All other express and implied warranties are disclaimed. Complete warranty terms located at: www.acuitybrands.com/support/warranty/terms-and-conditions

NOTE: Actual performance may differ as a result of end-user environment and application. All values are design or typical values, measured under laboratory conditions at 25 °C. Specifications subject to change without notice.

Catalog Number
Notes
Type

Lithonia™ Frame

FRAME



5X IP RATED

Specifications

Length 1x4, 2x4:	47.76 (121.31)
Length 2x2:	23.78 (60.40)
Width 1x4:	11.97 (30.40)
Width 2x2, 2x4:	23.78 (60.40)
Depth:	0.99 (2.51)
Weight 1x4:	2.711lb
Weight 2x2:	2.40lb
Weight 2x4:	2.99lb

All dimensions are inches (centimeters)

ORDERING INFORMATION

Example: LFRM 2x4 ALO8 SWW7 MVOLT M6

Series	Fixture Dimension	Lumens Output	Color Temperature	Voltage	Masterpack Quantity	Options
LFRM	1x4 1'x4'	ALO3 Switchable Lumens 3000LM, 4000LM, 5000LM	SWW7 Switchable White 3500K, 4000K, 5000K	MVOLT 120-277VAC UVOLT 120-347VAC †	M6 Master Pack Quantity 6	(Blank) No Option IE10WCP IE10WCP 10W Emergency Back Up, 10W
	2x2 2'x2'	ALO3 Switchable Lumens 3000LM, 4000LM, 5000LM				
	2x4 2'x4'	ALO8 Switchable Lumens 4000LM, 5000LM, 6000LM				

Accessories: Order as separate catalog number.

ILD 10	LED Emergency Battery Pack, 10W 55VDC, CA T20 Compliant
ILB CP10 A	LED Emergency Battery Pack, 10W 50VDC (Noncompliant with CA T20)
FPT 1X4 MW	Retrofit/Renovation Filler Plate 1x4 Matte White
FPT 2X2 MW	Retrofit/Renovation Filler Plate 2x2 Matte White
FPT 2X4 MW	Retrofit/Renovation Filler Plate 2x4 Matte White
FPT 1X4 A MW	Retrofit/Renovation Filler Plate 1x4 Air Return Matte White
FPT 2X2 A MW	Retrofit/Renovation Filler Plate 2x2 Air Return Matte White
FPT 2X4 A MW	Retrofit/Renovation Filler Plate 2x4 Air Return Matte White
FPT 1X4 MB	Retrofit/Renovation Filler Plate 1x4 Matte Black
FPT 2X2 MB	Retrofit/Renovation Filler Plate 2x2 Matte Black
FPT 2X4 MB	Retrofit/Renovation Filler Plate 2x4 Matte Black
FPT 1X4 A MB	Retrofit/Renovation Filler Plate 1x4 Air Return Matte Black
FPT 2X2 A MB	Retrofit/Renovation Filler Plate 2x2 Air Return Matte Black
FPT 2X4 A MB	Retrofit/Renovation Filler Plate 2x4 Air Return Matte Black

0-10v Control Accessories – nLight AIR, nLight Wired, Sensorswitch



rCM Sensor



nCM Sensor



RPP20 Power Pack



NPP16 Power Pack

LFRM Series Compatible with 0-10v Controls, some Controls may require the use of a Power Pack, contact Technical Support for additional details.

† Option Value Ordering Restrictions

Option value	Restriction
UVOLT	Not compatible with IE10WLCP Emergency Battery

LFRM Frame Lay In Kit

PERFORMANCE DATA

Fixture Dimension	Nomenclature	Lumen Setting	Color Temperature	Lumens	Wattage	Efficacy
1x4	LFRM 1x4 AL03 SWW7 MVOLT M6	Low Lumens	3500K	3160	23.1	136.8
			4000K	3240	22.5	144.0
			5000K	3280	22.8	143.9
		Medium Lumens	3500K	4110	30.7	133.9
			4000K	4250	29.9	142.1
			5000K	4300	30.5	141.0
		High Lumens	3500K	5120	39.0	131.3
			4000K	5280	37.8	139.7
			5000K	5310	38.4	138.3
2x2	LFRM 2x2 AL03 SWW7 MVOLT M6	Low Lumens	3500K	3130	23.5	133.2
			4000K	3230	23.0	140.4
			5000K	3270	23.3	140.3
		Medium Lumens	3500K	4070	31.2	130.4
			4000K	4200	30.6	137.3
			5000K	4270	31.2	136.9
		High Lumens	3500K	5000	39.4	126.9
			4000K	5170	38.4	134.6
			5000K	5220	39.0	133.8
2x4	LFRM 2x4 AL08 SWW7 MVOLT M6	Low Lumens	3500K	4190	30.6	136.9
			4000K	4260	30.2	141.1
			5000K	4330	30.5	142.0
		Medium Lumens	3500K	5140	38.5	133.5
			4000K	5240	37.9	138.3
			5000K	5340	38.3	139.4
		High Lumens	3500K	6130	47.0	130.4
			4000K	6330	46.6	135.8
			5000K	6400	47.0	136.2
1x4	LFRM 1x4 AL03 SWW7 UVOLT M6	Low Lumens	3500K	3190	23.9	133.5
			4000K	3230	23.2	139.2
			5000K	3290	23.3	141.2
		Medium Lumens	3500K	4190	31.0	135.2
			4000K	4250	30.6	138.9
			5000K	4280	31.1	137.6
		High Lumens	3500K	5025	38.6	130.2
			4000K	5127	37.9	135.3
			5000K	5081	38.0	133.7
2x2	LFRM 2x2 AL03 SWW7 UVOLT M6	Low Lumens	3500K	3260	24.6	132.5
			4000K	3290	23.7	138.8
			5000K	3320	24.0	138.3
		Medium Lumens	3500K	4260	32.0	133.1
			4000K	4360	31.5	138.4
			5000K	4320	32.0	135.0
		High Lumens	3500K	5124	38.3	133.7
			4000K	5233	37.8	138.4
			5000K	5163	38.0	135.8
2x4	LFRM 2x4 AL08 SWW7 UVOLT M6	Low Lumens	3500K	4310	31.6	136.4
			4000K	4170	30.9	135.0
			5000K	4413	31.0	142.4
		Medium Lumens	3500K	5400	39.8	135.7
			4000K	5495	39.2	140.2
			5000K	5500	39.5	139.2
		High Lumens	3500K	6137	46.6	131.7
			4000K	6253	45.8	136.5
			5000K	6202	46.0	134.8

Emergency Battery Delivered Lumens

Total delivered lumens will differ when in emergency power, this can be calculated by using the following formula:

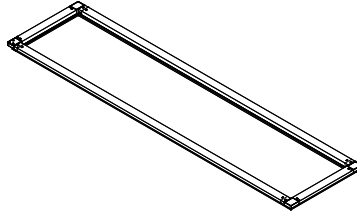
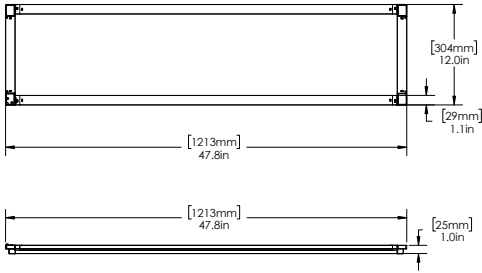
$$\text{Delivered Lumens} = 1.25 \times 10W \times \text{LPW}$$

Lumens Per watt (LPW) is calculated by Lumens/Wattage

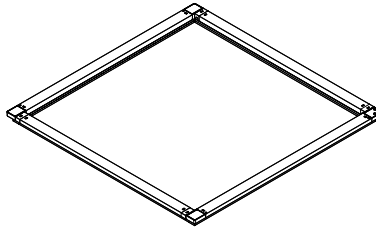
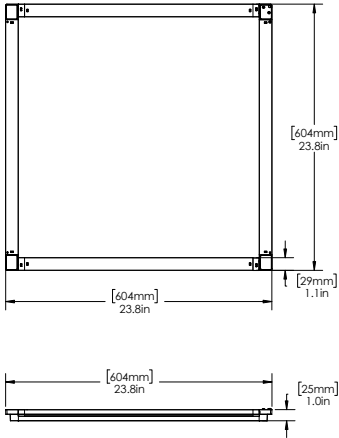
LFRM Frame Lay In Kit

DIMENSIONS

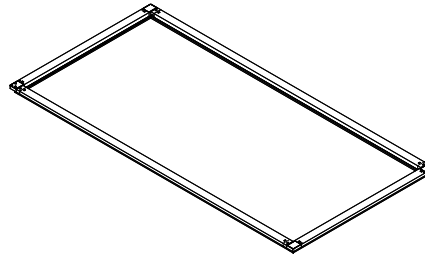
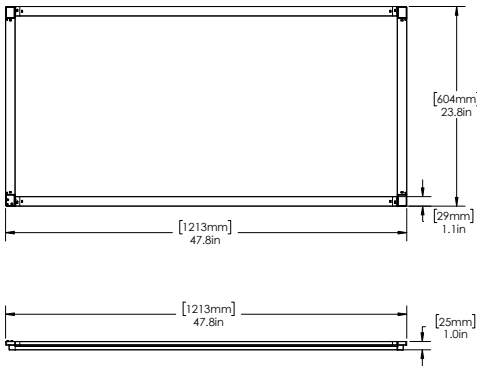
1X4



2X2



2X4



DRIVER BOX

