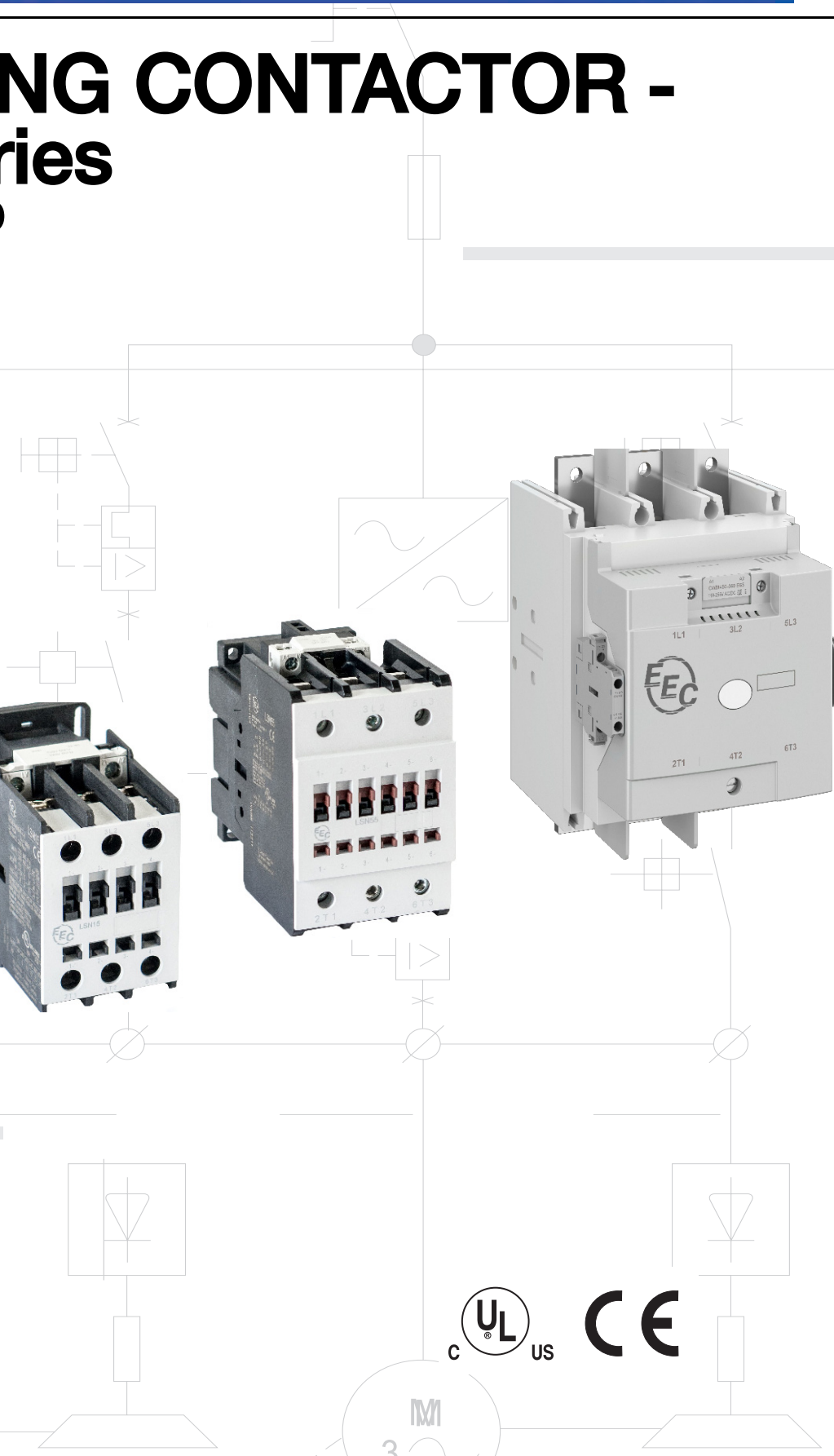
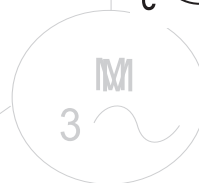
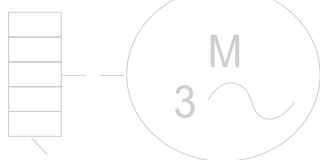
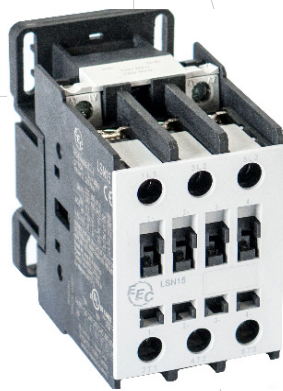
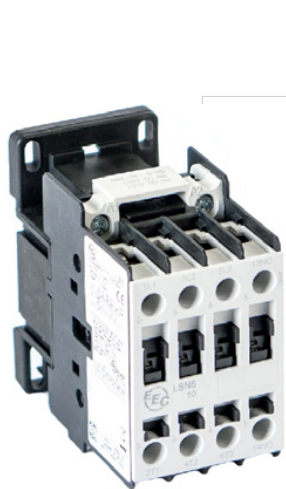


LIGHTING CONTACTOR - LSN series

Ballast & LED



Overview


EEC's new generation of Lighting Contactors, designed to meet the new demands Lighting Applications (Ballast & LED). Ranging from 30A up to 500A, EEC is able to offer a wide range of solutions for most lighting contactor requirements. Adhering to UL508, CSA 22.2 #14 (USA and Canada), as well as IEC 60947 and CE approvals. EEC's lighting contactors are suitable for use throughout the world.

	240	400	440	500
AC-1 kW	12	22	23	27,5
AC-3 kW	4,5	7,5	9,2	9,2
HP	6	10	12,5	12,5
Ie AC-3 (A)	18	18	18	14

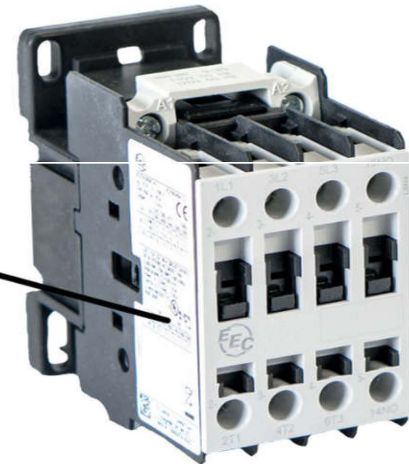
SUITABLE FOR USE ON A CIRCUIT CAPABLE OF DELIVERING NOT MORE THAN 5,000 RMS SYM. AMPS, 600 VOLTS MAX.

AC-5a/AC-5b: 30 A - 347/600 Vac, 3 Ø

Break all Lines 32 A 600 Vac
 Power: 14-10 AWG / 15 lb.in
 Control: 16-12 AWG / 10 lb.in
 Cu wire only 60/7 C



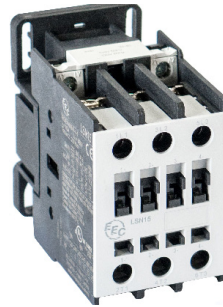
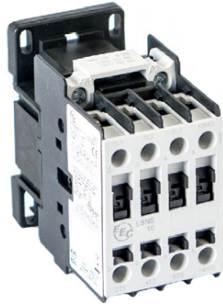
	1ph		3ph	
Ue (V)	120	240	200	240
HP		3	5	5
				480
				600
				10
				15



EEC is also offering 277VAC & 347VAC coils as a standard offering, allowing for quicker turn around on contactor types that most companies would consider special order



Utilization Category	Typical Application	Description
AC-5a	Switching of discharge lamps	Gas-discharge lamps are a family of artificial light sources that generate light by sending an electric discharge through an ionized gas, a plasma.
AC-5b	Switching of incandescent lamps	Incandescent light bulb is an electric light with a wire filament heated until it glows.



LSN Lighting Contactors - Selection Table

Contactors for Lighting Applications (Ballast & LED)



Amperage Rating Ballast / LED 600VAC - Maximum A	Number of poles		Part #	List \$
	*3 *4 NO	L *1 *2 NC		
30	2	2	LSN7-2200-♦	\$ 110
	4	-	LSN7-400-♦	\$ 110
	-	4	LSN7-04-♦	\$ 110
40	3	-	LSN18-300L-♦	\$ 160
60	3	-	LSN37-300L-♦	\$ 274
80	3	-	LSN45-300L-♦	\$ 370

To Complete the Part #, Replace “♦” with the Appropriate Coil Voltage Code ¹⁾

AC coil - 60 Hz							
Coil voltage codes	G	A	C	D	E	F	H
VAC - 50/60 Hz	24	120	208/230	347/380	480	600	277

Amperage Rating Ballast / LED 600VAC - Maximum A	Number of poles		Part #	List \$
	*3 *4 NO	L *1 *2 NC		
100	3	-	LSN75-322L-♦	\$ 870
150	3	-	LSN90-322L-♦	\$ 1,100
200	3	-	LSN132-322L-♦	\$ 1,410
300	3	-	LSN220-322-♦	\$ 1,920

To Complete the Part #, Replace “♦” with the Appropriate Coil Voltage Code ¹⁾

50/60 Hz / DC ²⁾					
Coil voltage codes	G	A	C	E	F
50/60 Hz / DC ³⁾	24-28 V	110-130 V	208-250 V	430-500 V	600VAC *





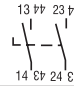
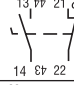
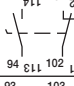
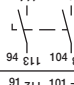
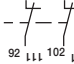
Notes: 1) Other voltages available.

2) Surge suppressor is already integrated


Accessories

Auxiliary Contact Blocks


- Rated 10A I_{th}
- UL508 & CSA 22.2 #14 (USA & Canada)
- Positive driven contacts in accordance with IEC 60947-4-1 resp. IEC 60947-5-1

Illustrative picture	For use with	Max. number of contacts/ contactor	Contacts		Terminal Identification	Part #	List \$
			NO	NC			
	LSN4...LSN55	4 - LSN4...LSN11 6 - LSN15...LSN18	1	0		HBXT10	\$ 14
			0	1		HBXT01	\$ 14
	LSN4...LSN220	8 - LSN22...55 8 - LSN75...LSN220	2	0		HBXS20	\$ 26
			1	1		HBXS11	\$ 26
	LSN280 LSN375	8 - LSN280...LSN375	1	1		HCXS11	\$ 26
			2	0		HCXS20	\$ 26
			0	2		HCXS02	\$ 26

Individual Spare Coils

Illustrative picture	Description	For use with	Part #	List \$
	AC coil	LSN4...LSN11	LCN2-♦	\$ 30
		LSN15...LSN18	LCN3-♦	\$ 40
		LSN22...LSN55	LCN4-♦	\$ 70
	Dual-voltage coils AC/DC (contactors with electronic module)	LSN75...LSN90	LCN5-♦	\$ 120
		LSN132	LCN6-♦	\$ 130
		LSN160...LSN220	LCN7-♦	\$
		LSN280...LSN375	LCN8-♦	\$

Electronic Module

Illustrative picture	Description	For use with	Part #	List \$
	AC/DC	LSN75...LSN220	LCE220-♦ ²⁾	\$ 30
		LSN280...LSN375	LCE375-♦ ²⁾	\$ 40

To Complete the Part #, Replace "♦" with the Appropriate Coil Voltage Code ³⁾

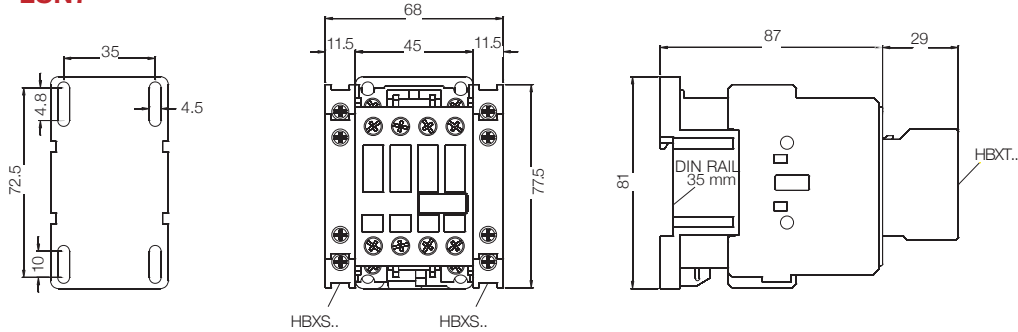
AC coil - 60 Hz							
Coil voltage codes	G	A	C	D	E	F	H
VAC - 50/60 Hz	24	120	208/230	347/380	480	600	277

50/60 Hz / DC ³⁾ LSN75- LSN220)					
Coil voltage codes	G	A	C	E	F
50/60 Hz / DC ³⁾	24-28 V	110-130 V	208-250 V	430-500 V	600VAC *

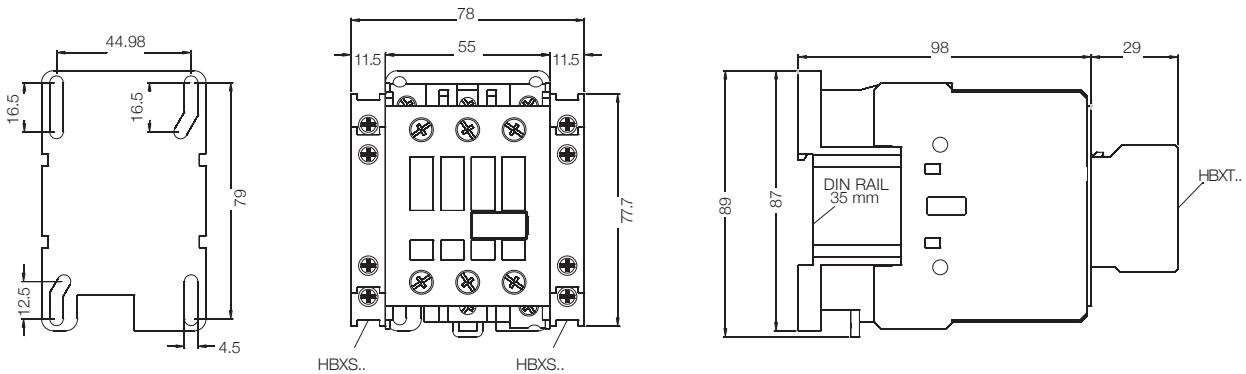
Dimensions

Dimensions (mm)

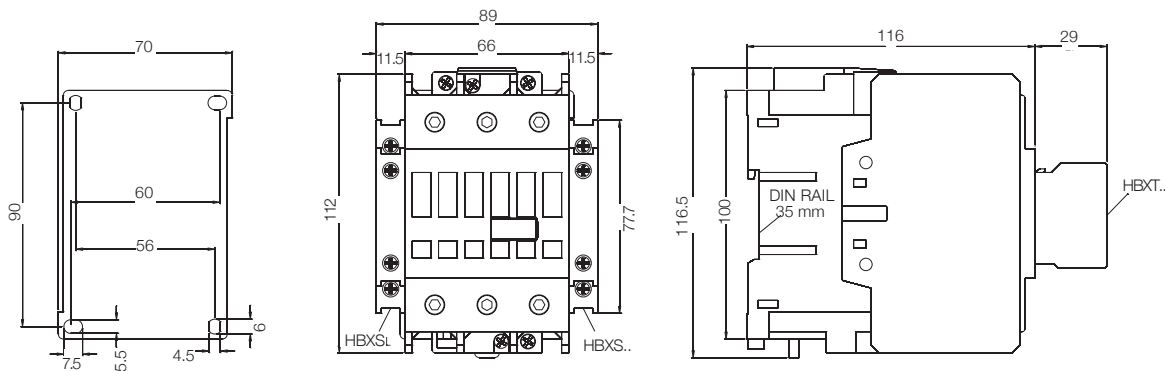
LSN7



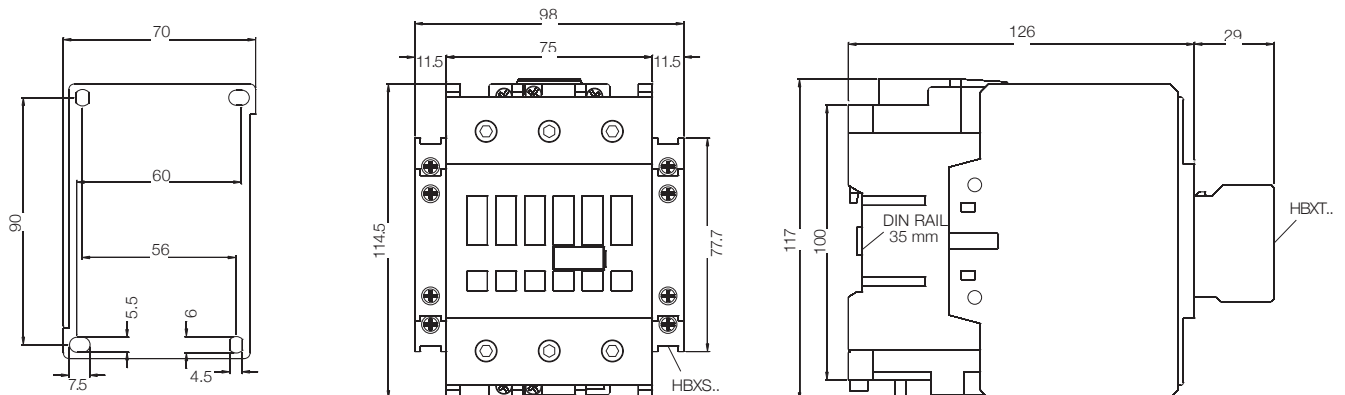
LSN18



LSN37

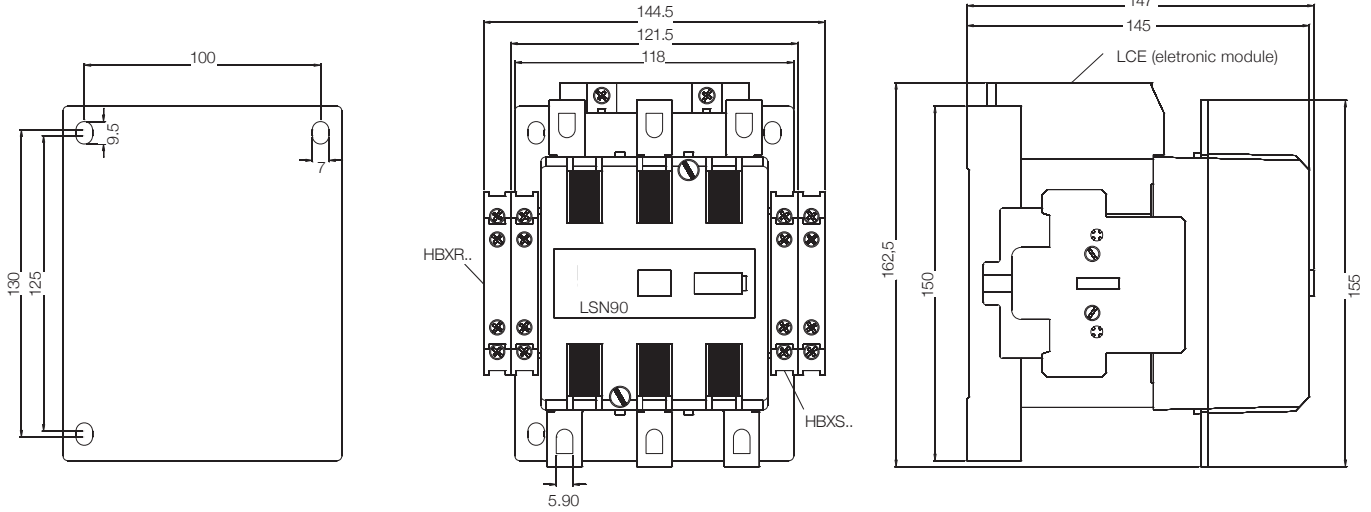


LSN45

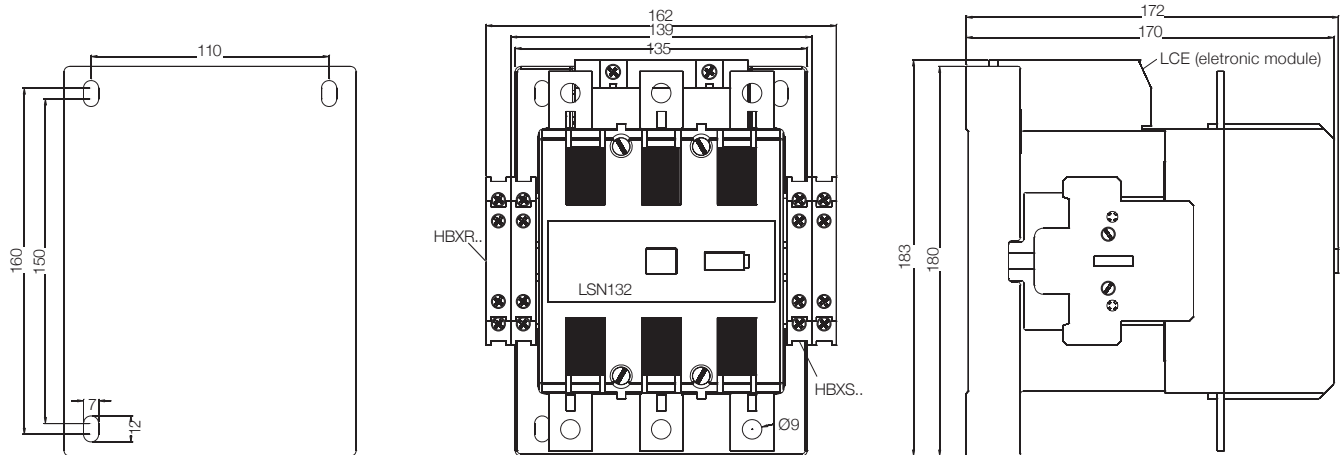


Dimensions

LSN75...LSN90



LSN132



LSN220

