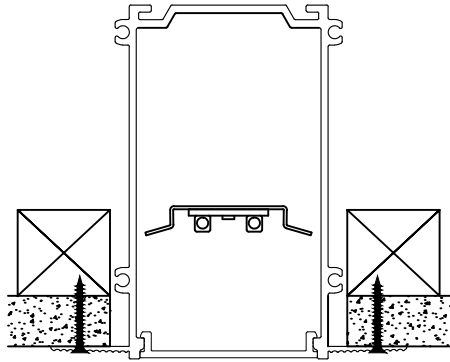


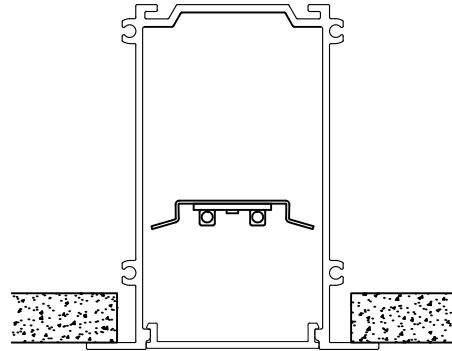


Risk of fire and electrical shock. In accordance with national local building and electrical codes, CORONET lighting fixtures must be installed by a qualified electrician. Disconnect power at electrical panel before servicing.

CROSS SECTION VIEW (NO TRIM)



CROSS SECTION VIEW (FLANGE)

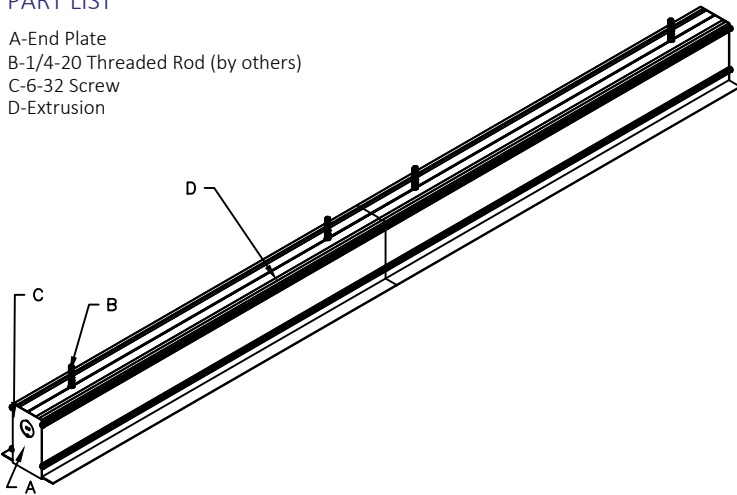


NOTE: REFER TO SHOP DRAWINGS FOR MOUNTING DIMENSIONS. THESE VIEWS ARE MEANT TO SHOW HOW THE FIXTURE WILL LOOK IN THE CEILING.

ISOMETRIC VIEW

**PART LIST**

- A-End Plate
- B-1/4-20 Threaded Rod (by others)
- C-6-32 Screw
- D-Extrusion

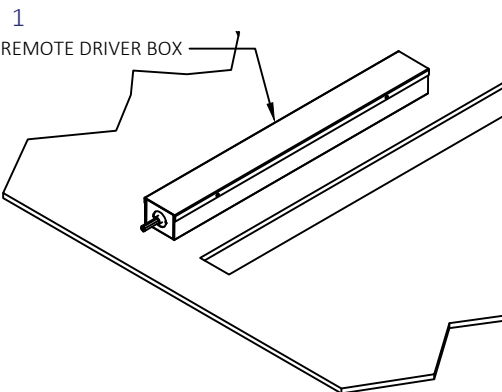


SIDE VIEW



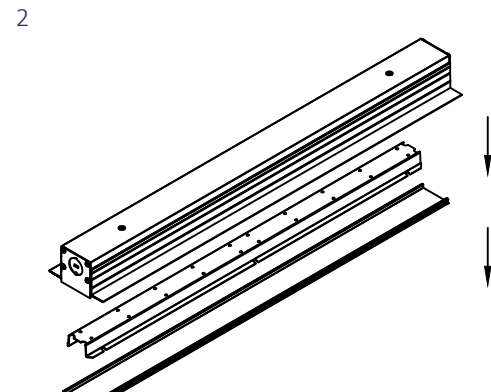
PLEASE CONSULT FACTORY SHOP DRAWINGS FOR CEILING CUT OUT DIMENSIONS.

REMOTE DRIVER DISTANCES				
WIRE GAUGE	12	14	16	18
MAX. DISTANCE	100 ft	80 ft	50 ft	35 ft



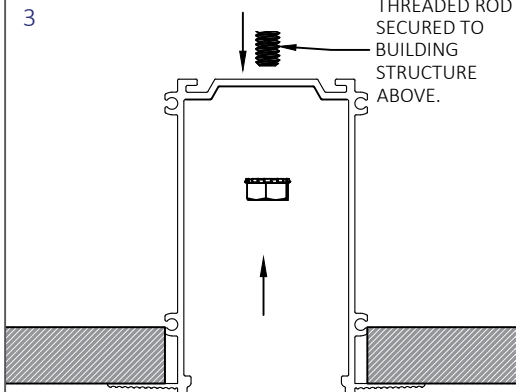
**1**  
REMOTE DRIVER BOX

If you have a remote driver, install it in the ceiling and run conduit to the fixture. Refer to the remote driver box above for acceptable lengths of cable.  
Note: Use whip or plenum cable (both by others) from the junction box to the remote box. If you have an integral driver, skip to step 2.



**2**

Remove the lens and LED tray before installing into the ceiling.  
\*Warning: Before making the ceiling cutout, junction box must be located in the appropriate area.



**3**

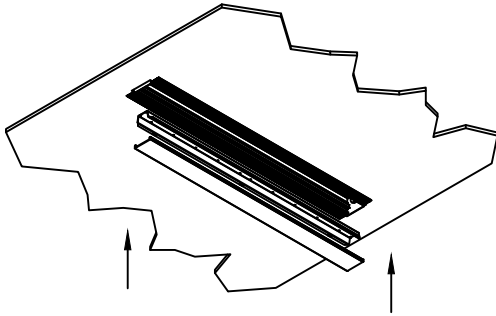
Install the fixture into the ceiling using a 1/4-20 threaded rod from above and nut (hardware by others). The contractor needs to install the threaded rod in the secured structure above the fixture.

INDIVIDUAL FIXTURES ARE NOT INTENDED FOR CONTINUOUS RUNS. ADDITIONAL SUPPORTS TO THE STRUCTURE MAY BE REQUIRED. CHECK WITH YOUR LOCAL BUILDING CODE FOR THOSE REQUIREMENTS.



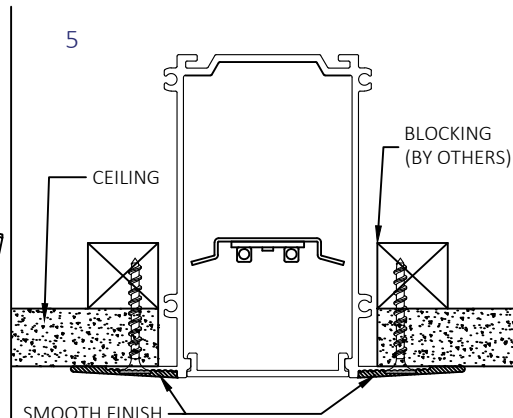
Risk of fire and electrical shock. In accordance with national local building and electrical codes, CORONET lighting fixtures must be installed by a qualified electrician. Disconnect power at electrical panel before servicing.

4



Reinstall the LED tray and lens into the the fixture.  
Power on the fixture to make sure everything functions properly.

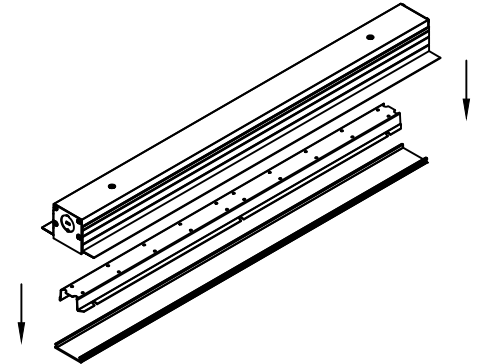
5



For "No Trim" fixtures, you can also mount it by screwing through the pre-drilled holes in the flange into the ceiling. Removing the LED tray and lens is not required for this option. Spackle up to the side of the fixture covering the flange and screws.

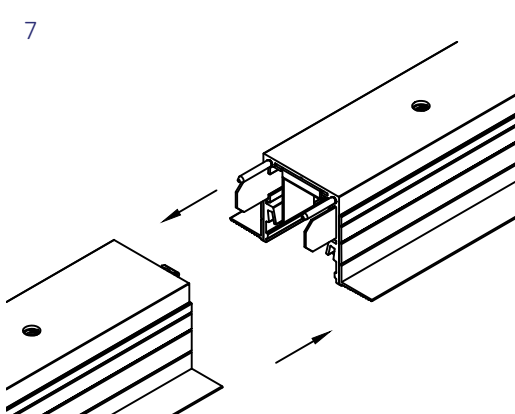
Note: Sufficient blocking is required behind ceiling if using this option.

6 Continuous Rows



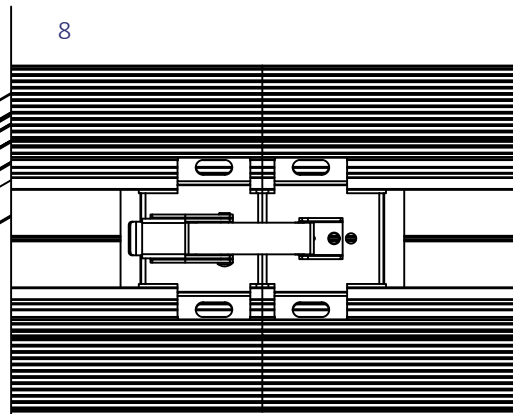
Before connecting the two fixtures together, remove the LED tray and lens.

7



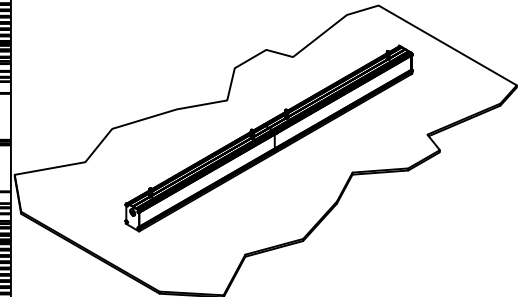
Align the two fixtures using the alignment pins and light shield.  
Warning: Keep hands clear of connection.

8



Use the catch and latch to securely connect the two fixtures together.

9



Follow steps 1-5 again to mount the fixture in place correctly.

### GENERAL INSTALLATION CONSIDERATIONS - See submittal drawings for job specific data.

Operating Temperature.....-40°C to 50°C  
 Operating Voltage.....110VAC-277VAC, 50Hz-60Hz  
 Weight.....Varies between fixtures (1-4 lb/ft)  
 Dimensions.....See submittal drawings

- Installation by a certified electrician only. If you don't understand the instructions, don't install the fixture and please contact us for assistance.
- Read and understand the installation instructions before attempting to install or use the fixture.
- Only use fixtures with voltage for which it is rated. Do not exceed the specified voltage and current input.
- Do not use the fixture if the housing, lens, or power cable is damaged.
- Ensure that the main power supply is off before installing or wiring the fixture.
- Method of wire connection to be determined by local electrical codes and regulations.
- The external flexible cable of this luminaire cannot be field replaced; if the cord is damaged, contact Coronet.
- The light source contained in this luminaire shall only be replaced by the lighting manufacturer or his service agent or a similar qualified person.

Please contact our technical support team for assistance.

NOTE: JUNCTION BOXES MUST BE SOLIDLY FIXED TO THE CEILING AND ATTACHED TO THE STRUCTURAL MEMBER INSIDE THE CEILING BEFORE PROCEEDING WITH INSTALLATION.