

NLUD

L-Line LED Indirect/Direct - Selectable CCT

Source: 30W to 100W
3700lm to 12300lm

Type	
Project	
Catalog No.	
Notes	

PRODUCT DESCRIPTION

L-Line Indirect/Direct luminaires offer a clean and modern appearance with a sleek extruded aluminum housing. Symmetrical light distribution will evenly illuminate surfaces with a diffused lens, making L-Line ideal for commercial, retail, healthcare and education applications. Available in wall mount or pendant mounting options. Luminaires can be daisy chained with luminous L, X or T connectors or installed separately.

FEATURES

- Three built in switches to control direction of light output and color temperature per direction
- Average of 1643 lumens per foot (70% direct / 30% indirect)
- Selectable CCT (3000K/3500K/4000K) in both directions
- Wall mounted or pendant mounted
- Luminaires can be daisy chained with accessories
- 120-347V input with 0-10V dimming
- Optional emergency battery backup
- DLC Listed

SPECIFICATION

Construction: One piece extruded aluminum housing with solid end caps. Includes diffused polycarbonate lens for symmetrical light distribution. Luminaires include three integral switches to control light direction (direct, indirect/direct, indirect) and color temperature switch for direction of light.

Mounting: Luminaires can be wall mounted or pendant mounted with kits (ordered separately). Pendant mounted systems require a mounting kit at each end of luminaire. Wall mount kit includes wall plate and wiring for luminaires.

Continuous Run: Luminaires can be connected together with a bracket accessory (ordered separately). Bracket allows luminaires to be connected (refer to tables on page 4, 5 & 6).

ELECTRICAL

Input Voltage: 120-347V
Lumens / Wattage: See chart below
Color Temperature: Selectable CCT per direction (3000K/3500K/4000K)
Note: Both CCT switches are preset to 3000K
Direction of Light: Selectable Direction (direct only / indirect & direct / indirect only)
Note: Preset to indirect & direct position
Color Rendering Index: 80+ CRI
Operating Temperature: -20°C to 50°C
Dimming: 0-10V down to 15% for the best performance
Maximum Wattage Per Run: 420W

MOUNTING KITS & ACCESSORIES

A variety of mounting kits and accessories on pages 2 and 3.

Integral Motion Sensor (Factory Installed)

Occupancy sensor can be controlled with remote control (NLUD-OSCONT) and is visible from below the luminaire (see page 3).

Integral Emergency (Factory Installed)

4' and 8' Linear luminaires can be specified with an emergency battery with integral test switch. Battery operates for 90 minutes during power loss on full charge.

LABELS AND LISTINGS

- DLC Listed
- cETLus Listed for Damp Location
- FCC Compliant
- 5-Year Limited Warranty



PRODUCT IMAGES (DIMENSIONS ON PAGE 2)



NLUD-2 / NLUD-4 / NLUD-8
2' / 4' / 8' Linear



NLUD-X
X-Connector



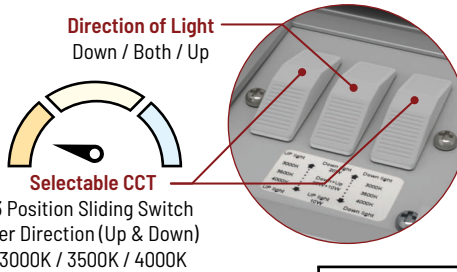
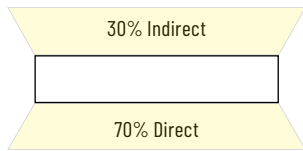
NLUD-T
T-Connector



NLUD-L
L-Connector



MOUNTING KITS ON PAGE 2



Function	2'	4'	8'	X	L	T
Indirect only	1140lm / 10W	1905lm / 15W	3810lm / 30W	1793lm / 15W	1166lm / 10W	1516lm / 12W
Indirect / Direct	3710lm / 30W	6152lm / 50W	12304lm / 100W	6028lm / 50W	3781lm / 30W	5027lm / 40W
Direct only	2570lm / 20W	4247lm / 35W	8493lm / 70W	4234lm / 35W	2615lm / 20W	3511lm / 28W

Lumens shown at 4000K

L-Line LED Indirect/Direct - Mounting kits are required

Linear Length	Color Temperature	Finish	Options
NLUD-2 = 2' Linear	334 = Selectable CCT (3000K/3500K/4000K)	A = Aluminum B = Black W = White	/OS = Motion Sensor
NLUD-4 = 4' Linear			/EM = Emergency
NLUD-8 = 8' Linear			/EMOS = Emergency & Motion Sensor
NLUD-X = X-Connector			/OS = Motion Sensor
NLUD-L = L-Connector			/OS = Motion Sensor
NLUD-T = T-Connector			/OS = Motion Sensor

Example: NLUD-2334A = 2' L-Line LED Indirect/Direct, Selectable CCT (3000K / 3500K / 4000K), Aluminum finish

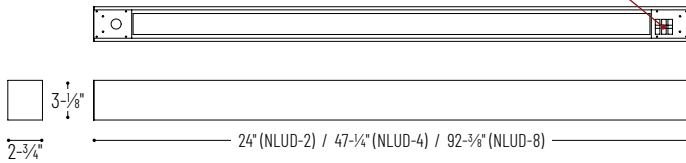
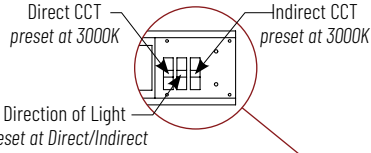
Mounting Kits & Accessories

Description	Finish	Cable Length
NLUD-PCC = Pendant Power & Aircraft Mounting Kit	A = Aluminum B = Black W = White	(blank) = 8'
NLUD-CC = Aircraft Mounting Kit		/20 = 20'
NLUD-PCC = Pendant Power Kit for Emergency		/6W = 8'
		/6W-20 = 20'
NLUD-2WM = Wall Mount Kit for NLUD-2		
NLUD-4WM = Wall Mount Kit for NLUD-4		
NLUD-4WM/6W = Wall Mount Kit for NLUD-4 w/ EM		
NLUD-8WM = Wall Mount Kit for NLUD-8		
NLUD-8WM/6W = Wall Mount Kit for NLUD-8 w/ EM		
NLUD-PMC = Pendant Bracket for Continuous Run		
NLUD-WMC = Wall Mount Bracket for Continuous Run		
NLUD-OSCONT = Remote Control for Motion Sensor		
NLUD-MDPH = Wire Harness Kit for Multi-Directional Power (pendant mount only)		
NLUD-WPC/20 = 20' Wall Mount Power Cord		
NLUD-WPC/6W-20 = 20' Wall Mount Power Cord for Emergency		
NLUD-2LOUVA = Aluminum Louver Kit for NLUD-2	A = Aluminum End Cap B = Black End Cap W = White End Cap	
NLUD-2LOUVB = Black Louver Kit for NLUD-2		
NLUD-4LOUVA = Aluminum Louver Kit for NLUD-4		
NLUD-4LOUVB = Black Louver Kit for NLUD-4		

NLUD

L-Line LED Indirect/Direct - Selectable CCT

- NLUD-2** 2' Indirect / Direct LED Luminaire
- NLUD-4** 4' Indirect / Direct LED Luminaire
- NLUD-8** 8' Indirect / Direct LED Luminaire



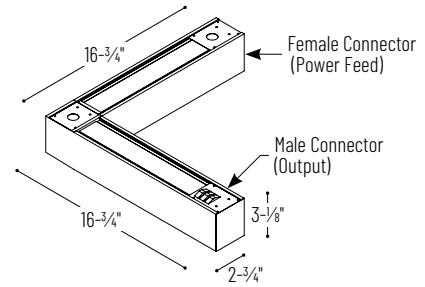
Type _____

Project _____

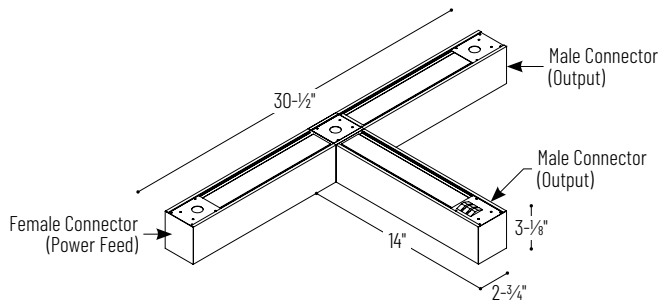
Catalog No. _____

Notes _____

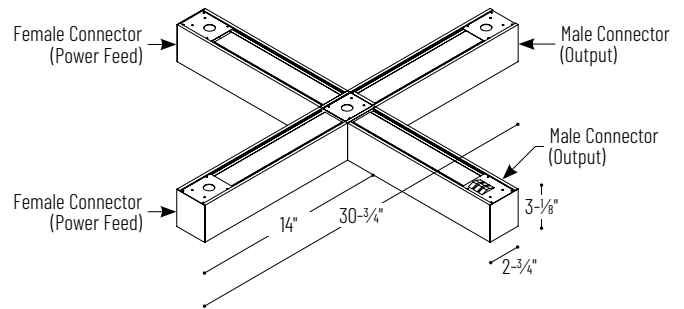
- NLUD-L** "L" Indirect / Direct LED Luminaire
- Can be connected other luminaires with coupler accessory (ordered separately)



- NLUD-T** "T" Indirect / Direct LED Luminaire
- Can be connected other luminaires with coupler accessory (ordered separately)



- NLUD-X** "X" Indirect / Direct LED Luminaire
- Can be connected other luminaires with coupler accessory (ordered separately)



- NLUD-PCC** 8' Pendant Power & Aircraft Mounting Kit
 - NLUD-PCC/6W** 8' Pendant Power & Aircraft Mounting Kit for Emergency
 - NLUD-PCC/20** 20' Pendant Power & Aircraft Mounting Kit
 - NLUD-PCC/6W-20** 20' Pendant Power & Aircraft Mounting Kit for Emergency
- Includes (1) suspension point and (1) suspension + power cord + electrical connectors



- NLUD-CC** 8' Aircraft Mounting Kit
 - NLUD-CC/20** 20' Aircraft Mounting Kit
- Mounting point required on each end of luminaire.



- NLUD-2WM** Wall Mount Kit for NLUD-2 (power cable included)
- NLUD-4WM** Wall Mount Kit for NLUD-4 (power cable included)
- NLUD-4WM/6W** Wall Mount Kit for NLUD-4 with emergency (power cable included)
- NLUD-8WM** Wall Mount Kit for NLUD-8 (power cable included)
- NLUD-8WM/6W** Wall Mount Kit for NLUD-8 with emergency (power cable included)



NLUD

L-Line LED Indirect/Direct - Selectable CCT

Type _____

Project _____

Catalog No. _____

Notes _____

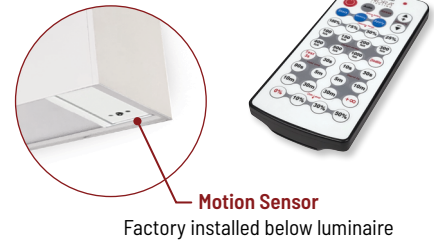
NLUD-PMC Bracket for Pendant Mounted Continuous Runs
Description: Seam cover is optional, internal bracket is required at each connection.



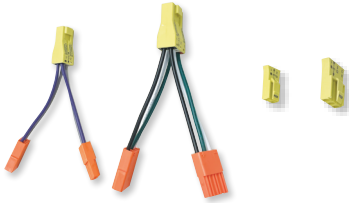
NLUD-WMC Wall Mount Bracket for Continuous Runs
Description: Bracket is optional and not required.



NLUD-OSCONT Remote Control for Motion Sensor
Description: Changes detection range, daylight sensor, hold time, stand-by time and dimming level.



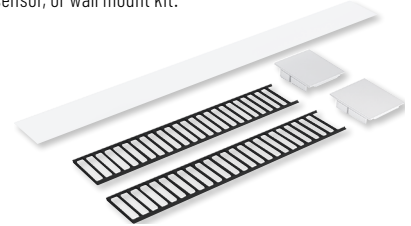
NLUD-MDPH Wire Harness Kit for Multi Directional Power
Description: Used to power luminaires together in center of run / multiple directions.



NLUD-WPC/20 20' Wall Mount Power Cord
NLUD-WPC/6W-20 20' Wall Mount Power Cord for Emergency
Description: Replaces power cord included with wall mount kits.



NLUD-2LOUV Louver Kit for NLUD-2
NLUD-4LOUV Louver Kit for NLUD-4
Description: Includes louver, replacement lens and end caps. Louver finishes include black or aluminum. End cap finishes include black, aluminum or white.
Note: Louver is not compatible with 8' fixtures, motion sensor, or wall mount kit.



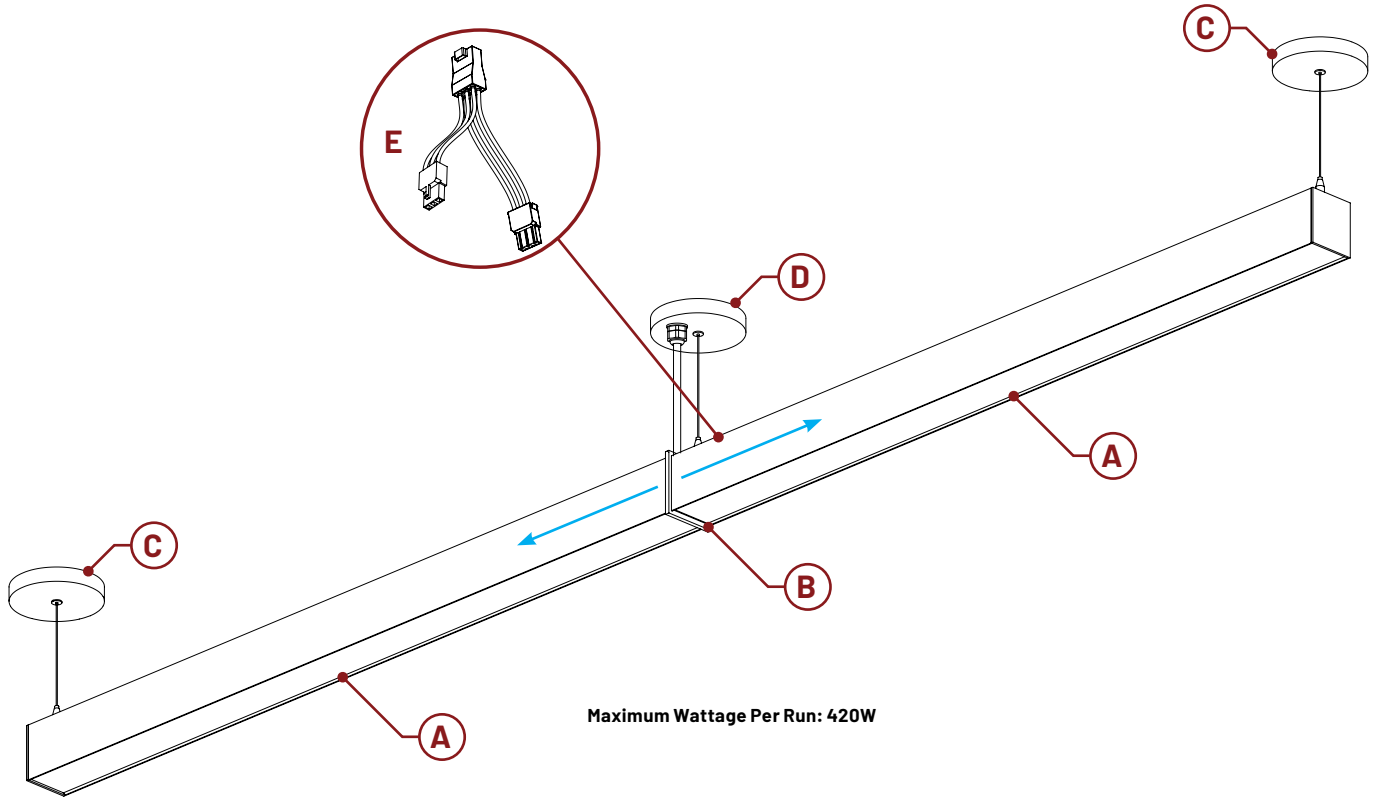
NLUD-LENS/33 33' Continuous Lens (field cuttable)
Description: Used when connecting multiple fixtures together. Special order, consult factory.



NLUD

L-Line LED Indirect/Direct - Linear Multi-Directional Layout

Type	
Project	
Catalog No.	
Notes	

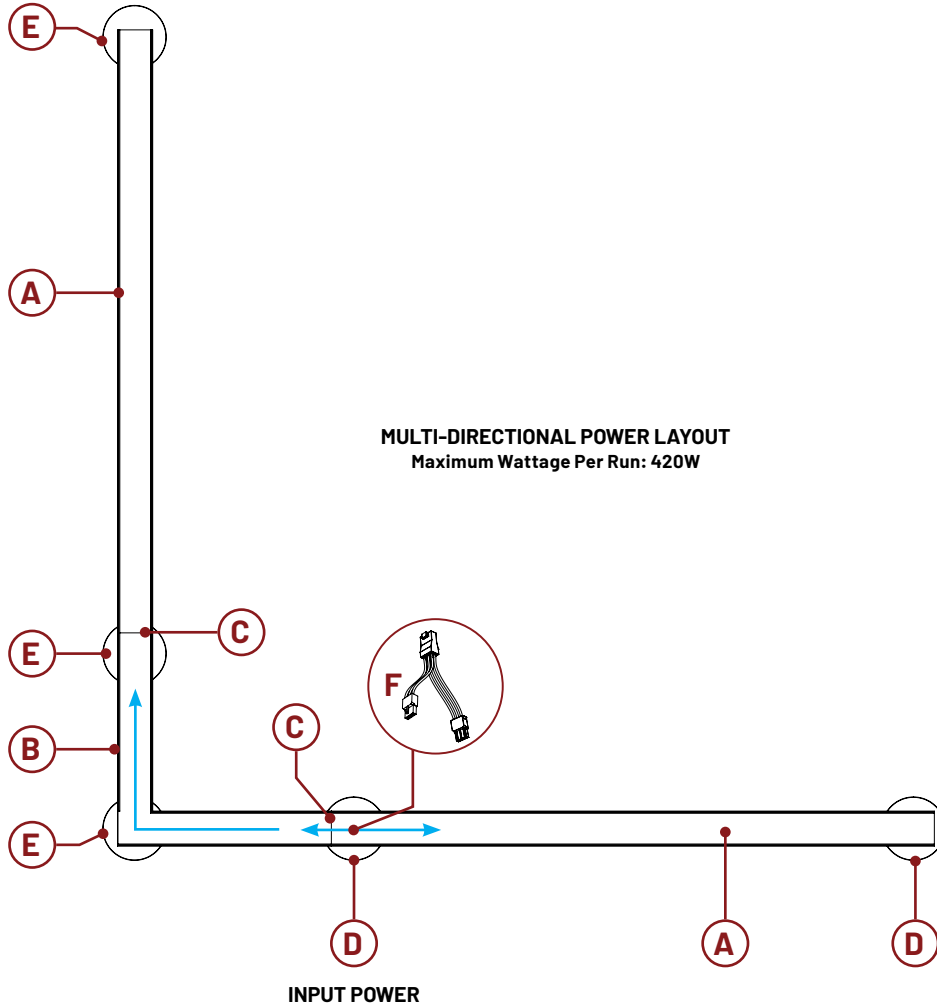


	Part Number	Description	Quantity
A	NLUD-2334	2' LED Linear Indirect / Direct	2
B	NLUD-PMC	Bracket for Daisy Chaining	1
C	NLUD-CC	Aircraft Mounting Kit	2
D	NLUD-PCC	Pendant Power & Aircraft Mounting Kit	1
E	NLUD-MDPH	Wire Harness Kit	1

NLUD

L-Line LED Indirect/Direct - Multi-Directional Layout

Type	
Project	
Catalog No.	
Notes	

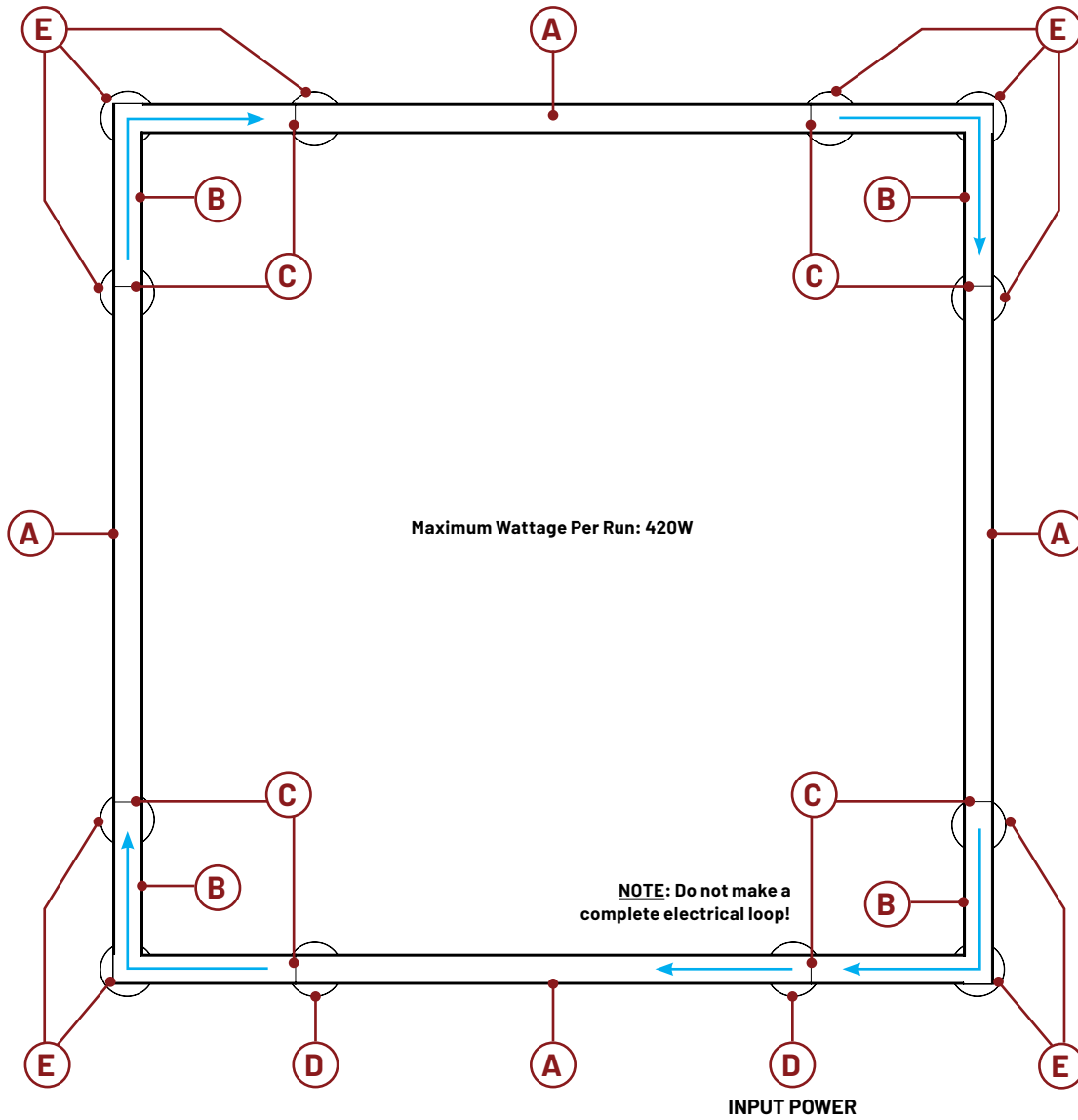


	Part Number	Description	Quantity
A	NLUD-4334	4' LED Linear Indirect / Direct	2
B	NLUD-L334	"L" LED Linear Indirect / Direct	1
C	NLUD-PMC	Bracket for Daisy Chaining	2
D	NLUD-PCC	Pendant Power & Aircraft Mounting Kit	1
E	NLUD-CC	Aircraft Mounting Kit	3
F	NLUD-MDPH	Wire Harness Kit	1

NLUD

L-Line LED Indirect/Direct - Square Linear Direction Layout

Type	
Project	
Catalog No.	
Notes	



	Part Number	Description	Quantity
A	NLUD-4334	4' LED Linear Indirect / Direct	4
B	NLUD-L334	"L" LED Linear Indirect / Direct	4
C	NLUD-PMC	Bracket for Daisy Chaining	8
D	NLUD-PCC	Pendant Power & Aircraft Mounting Kit	1
E	NLUD-CC	Aircraft Mounting Kit	10

PHOTOMETRICS

L-Line LED Indirect/Direct - Selectable CCT

Type

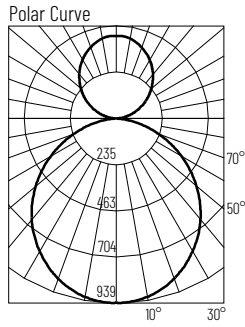
Project

Catalog No.

Notes

Test Information

Test Number: 14137063.02A
 Part Number: NLUUD-2334W
 Lumens: 3710lm
 Wattage: 30.1W
 Efficacy: 123lpw
 CCT / CRI: 4000K / 80 CRI
 Spacing Criteria (0°-180°): 1.24
 Spacing Criteria (90°-270°): 1.24



Zonal Lumen Summary

Zone	Lumens	% Luminaire
0-30	717	19.3
0-40	1168	31.5
0-60	2043	55.1
0-90	2570	69.3
90-180	1140	30.7
0-180	3710	100

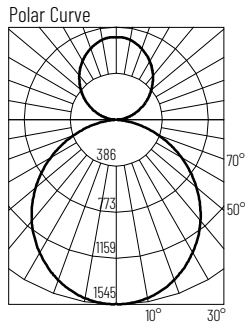
Candela Table

Vertical Angles	Candela
0	933
5	922
15	884
25	813
35	715
45	595

CCT Multiplier:
 3000K = x0.937
 3500K = x0.991
 4000K = x1.00

Test Information

Test Number: 14137063.04A
 Part Number: NLUUD-4334W
 Lumens: 6152lm
 Wattage: 47.6W
 Efficacy: 129lpw
 CCT / CRI: 4000K / 80 CRI
 Spacing Criteria (0°-180°): 1.24
 Spacing Criteria (90°-270°): 1.24



Zonal Lumen Summary

Zone	Lumens	% Luminaire
0-30	1185	19.3
0-40	1929	31.4
0-60	3376	54.9
0-90	4247	69
90-180	1905	31
0-180	6152	100

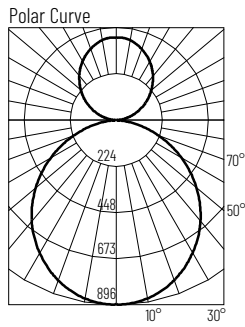
Candela Table

Vertical Angles	Candela
0	1540
5	1536
15	1475
25	1359
35	1197
45	998

CCT Multiplier:
 3000K = x0.937
 3500K = x0.991
 4000K = x1.00

Test Information

Test Number: 14124128.04
 Part Number: NLUUD-L334W
 Lumens: 3544lm
 Wattage: 29.4W
 Efficacy: 121lpw
 CCT / CRI: 3000K / 80 CRI
 Spacing Criteria (0°-180°): 1.26
 Spacing Criteria (90°-270°): 1.24



Zonal Lumen Summary

Zone	Lumens	% Luminaire
0-30	686	19.4
0-40	1116	31.5
0-60	1947	54.9
0-90	2451	69.2
90-180	1093	30.8
0-180	3544	100

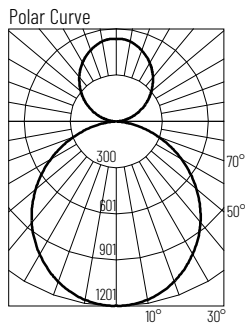
Candela Table

Vertical Angles	Candela
0	894
5	886
15	858
25	792
35	698
45	577

CCT Multiplier:
 3000K = x1.00
 3500K = x1.057
 4000K = x1.067

Test Information

Test Number: 14124128.05
 Part Number: NLUUD-T334W
 Lumens: 4712lm
 Wattage: 39.7W
 Efficacy: 119lpw
 CCT / CRI: 3000K / 80 CRI
 Spacing Criteria (0°-180°): 1.24
 Spacing Criteria (90°-270°): 1.26



Zonal Lumen Summary

Zone	Lumens	% Luminaire
0-30	920	19.5
0-40	1498	31.8
0-60	2616	55.5
0-90	3291	69.8
90-180	1421	30.2
0-180	4712	100

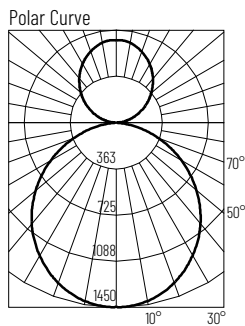
Candela Table

Vertical Angles	Candela
0	1198
5	1189
15	1142
25	1052
35	927
45	764

CCT Multiplier:
 3000K = x1.00
 3500K = x1.057
 4000K = x1.067

Test Information

Test Number: 14124128.06
 Part Number: NLUUD-X334W
 Lumens: 5650lm
 Wattage: 47.4W
 Efficacy: 119lpw
 CCT / CRI: 3000K / 80 CRI
 Spacing Criteria (0°-180°): 1.26
 Spacing Criteria (90°-270°): 1.26



Zonal Lumen Summary

Zone	Lumens	% Luminaire
0-30	1106	19.6
0-40	1804	31.9
0-60	3156	55.9
0-90	3969	70.2
90-180	1681	29.8
0-180	5650	100

Candela Table

Vertical Angles	Candela
0	1441
5	1436
15	1380
25	1274
35	1126
45	933

CCT Multiplier:
 3000K = x1.00
 3500K = x1.057
 4000K = x1.067