

ORGANIX– POST TOP MOUNT**READ AND FOLLOW ALL SAFETY INSTRUCTIONS!****SAVE THESE INSTRUCTIONS AND DELIVER TO OWNER AFTER INSTALLATION**

To reduce the risk of death, personal injury or property damage from fire, electric shock, falling parts, cuts/abrasions, and other hazards please read all warnings and instructions included with and on the fixture box and all fixture labels.

- Before installing, servicing, or performing routine maintenance upon this equipment, follow these general precautions.
- Installation and service of luminaires should be performed by a qualified licensed electrician.
- Maintenance of the luminaires should be performed by person(s) familiar with the luminaires' construction and operation and any hazards involved. Regular fixture maintenance programs are recommended.
- It will occasionally be necessary to clean the outside of the refractor/lens. Frequency of cleaning will depend on ambient dirt level and minimum light output which is acceptable to user. Refractor/lens should be washed in a solution of warm water and any mild, non-abrasive household detergent, rinsed with clean water and wiped dry. Should optical assembly become dirty on the inside, wipe refractor/lens and clean in above manner, replacing damaged gaskets as necessary.
- **DO NOT INSTALL DAMAGED PRODUCT!** This luminaire has been properly packed so that no parts should have been damaged during transit. Inspect to confirm. Any part damaged or broken during or after assembly should be replaced.

**WARNING**

RISK OF FIRE / ELECTRIC SHOCK. IF NOT QUALIFIED, CONSULT AN ELECTRICIAN.

**WARNING**

MAKE CERTAIN POWER IS OFF BEFORE STARTING INSTALLATION OR ATTEMPTING ANY MAINTENANCE.

**WARNING**

RISK OF ELECTRIC SHOCK- DISCONNECT POWER AT FUSE OR CIRCUIT BREAKER BEFORE INSTALLING OR SERVICING.

**WARNING**

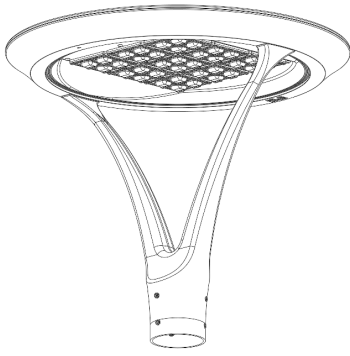
RISK OF PERSONAL INJURY- FIXTURE MAY BECOME DAMAGED AND UNSTABLE IF NOT INSTALLED PROPERLY.

ORGANIX- POST TOP MOUNT

Tools Required

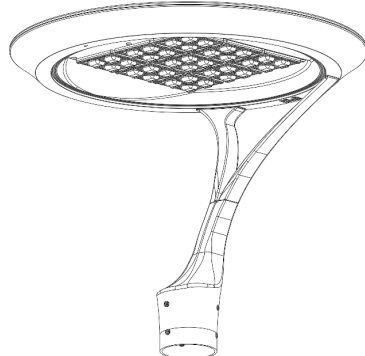
#3/16" Hex L-Key (Allen wrench) for 3/8-16 Set Screw.

Arrow on the fixture denotes the direction of street side



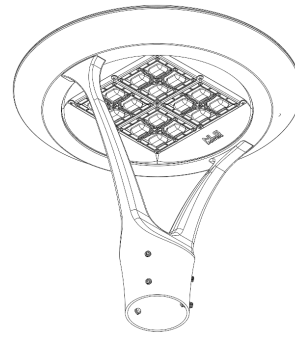
ORX-3

POST TOP DUAL ARM



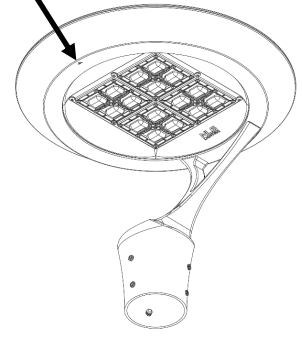
ORX-3

POST TOP SINGLE ARM



ORX-2

POST TOP DUAL ARM



ORX-2

POST TOP SINGLE ARM

1. Connect wires (Live to Black, white to common, green to ground).
2. Place splices and excess wire in tenon shaft be sure to not pinch wires between the top of the tenon and the luminaire as you carefully place the luminaire upright on the pole.
3. Orient the fixture to the desired position for luminaires with asymmetric optic lens the arrow on the front of fixture indicates the direction of street side
4. Secure the fixture with 6 of 3/8 set screws provided and tighten to 20 ft-lbs of torque.

