

Caséta Load Controls

The Caséta family of dimmers, switches, and fan controls can be controlled directly and remotely when paired with Pico remote controls providing a system that delivers convenience and ease of installation.

Caséta dimmers, switches, and fan controls use Lutron patented Clear Connect RF Technology which enables wireless communication with Pico remote controls, Caséta motion sensors, and the Lutron Smart Hub and Smart Hub PRO (formerly Smart Bridge and Smart Bridge PRO).

Features

- Works with Pico remote control
- Works with Caséta motion sensor
- Works with the Lutron App (via a Smart Hub or Smart Hub PRO)¹
- Lutron patented Clear Connect RF Technology works through walls and floors
- Includes Front Accessible Service Switch (FASS) for safe lamp replacement
- Works with Lutron Radio Powr Savr occupancy and vacancy sensors in standalone applications (sensors do not work with Smart Hub or Smart Hub PRO)

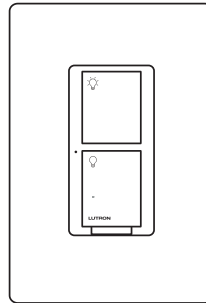


Figure 1:
Original Smart Switches

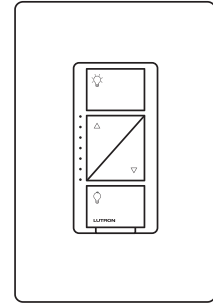


Figure 2:
Original Smart Dimmers

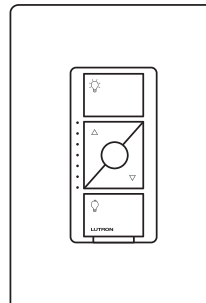


Figure 3: Original
ELV+ Smart Dimmers

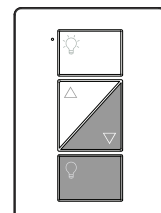


Figure 4: Caséta Plug-In
Lamp Dimmers

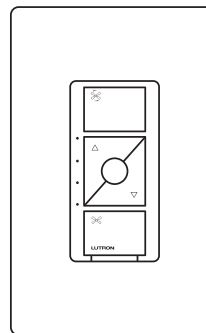


Figure 5: Original
Smart Fan Controls

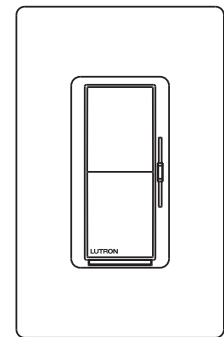


Figure 6: Diva
Smart Dimmers

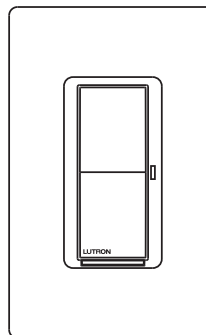


Figure 7: Claro
Smart Switches

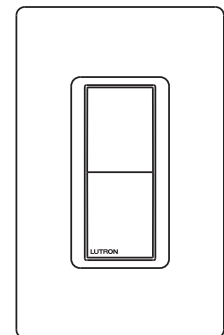


Figure 8: Claro Smart
Accessory Switches

Note: Certain models or load types will require a neutral connection (see Load Type and Capacity sections).

¹ The Lutron App is required for setup and usage with the Smart Hub and Smart Hub PRO. For version compatibility please see the Google Play™ store for Android™ devices or the App Store® online store for Apple® devices.

Job Name: <input type="text"/>	Model Numbers: <input type="text"/>	
Job Number: <input type="text"/>	<input type="text"/>	<input type="text"/>

Specifications

Regulatory Approvals

- cULus Listed
- NOM Certified
- FCC Approved. Complies with the limits for a Class B digital device, pursuant to Part 15 of the FCC Rules
- Industry Canada Certified
- IFTEL Certified
- NEMA 410: PD (-5ANS, -6ANS, -5WS, -10NXD, -5NE), DVRF (-6L, -5NS, -5NE)

Power

Operating voltage:

- 120 V~ 50/60 Hz: PD (-3PCL, -6WCL, -10NXD, -6ANS, -5ANS, -5NE, -FSQN), DVRF (-6L, -5NS, -AS, -5NE)
- 120/277 V~ 50/60 Hz: -5WS-DV

Key Design Features

- Tested to withstand electrostatic discharge without damage or memory loss, in accordance with IEC 61000-4-2.
- Tested to withstand surge voltages without damage or loss of operation, in accordance with IEEE C62.41-1991 Recommended Practice on Surge Voltages in Low-Voltage AC Power Circuits.
- Load controls always operate locally and do not require system control.
- Power failure memory: should power be interrupted, the control will return to its previously set level prior to the interruption when power is restored.
- PD-5WS-DV, PD-5ANS, PD-6ANS, PD-10NXD, DVRF-5NS, and DVRF (-6L, -5NE) use conventional 3-way wiring.
- PD-5WS-DV, PD-5ANS, PD-6ANS, PD-10NXD, DVRF-5NS, and DVRF (-6L, -5NE) can be used with a mechanical switch in 3-way applications.
- DVRF (-6L, -5NE) and DVRF-5NS can also be wired with an accessory switch, DVRF-AS.
- Uses Lutron Claro wallplates or designer-style wallplates from other manufacturers. Wallplates are sold separately.
- Lutron Claro wallplates snap on with no visible means of attachment.

¹ PD-FSQN requires 2½ in (63½ mm) minimum depth.

- Requires a 1-gang U.S. wallbox. 3½ in (89 mm) depth recommended, 2¼ in (57 mm) depth minimum¹.

Key Design Features (continued)

- PD- models use green status LED(s) to indicate load status.
- DVRF (-6L, -5NE) uses a white soft glow light bar and the DVRF-5NS uses a white status LED to indicate load status.
- PD-FSQN provides 4 quiet fan speeds plus OFF for a single ceiling fan.
- Claro Smart accessory switches (DVRF-AS) control Diva Smart dimmers and switches from additional locations and do not directly control the load.

System Communications and Capacity

- Caséta switches, dimmers, and fan controls communicate with Pico remote controls, Caséta motion sensors, and the Lutron Smart Hub/Smart Hub PRO through Radio Frequency (RF).
- The Caséta switches, dimmers, and fan controls must be located within 60 ft (18 m) line-of-sight or 30 ft (9 m) through walls of a Lutron Smart Hub, Smart Hub PRO, or Caséta Repeater.
- The Caséta switches, dimmers, and fan controls must be located within 60 ft (18 m) line-of-sight or 30 ft (9 m) through walls of Pico remote controls or Caséta motion sensors (with no Smart Hub installed).

Device limits

- Pico remote controls and Caséta motion sensors: up to 10 devices (total) may be paired to each Caséta switch/dimmer (with no Smart Hub installed).
- Smart Hub or Smart Hub PRO system: up to 75 total wireless devices (Caséta dimmers/switches, Pico remote controls, Caséta motion sensors, and shades) are supported per system. Smart Hub or Smart Hub PRO counts as one device. The Caséta repeater counts as one device.

Environment

- Ambient operating temperature: 32 °F to 104 °F (0 °C to 40 °C), 0% to 90% humidity, non-condensing. Indoor use only.

Job Name: <input style="width: 90%;" type="text"/>	Model Numbers: <input style="width: 95%;" type="text"/>	
Job Number: <input style="width: 80%;" type="text"/>	<input style="width: 95%;" type="text"/>	<input style="width: 95%;" type="text"/>

Features

Original Smart Models	2-wire Switch PD-5WS-DV	Neutral Switch PD-5ANS, PD-6ANS	Dimmer PD-6WCL	PRO Dimmer PD-10NXD	ELV+ Dimmer PD-5NE	Plug-In Dimmer PD-3PCL	Fan Control PD-FSQN
Figure # (from page 1)	1	1	2	2	3	4	5
Simple two-wire installation (no neutral wire required)	√		√	√ ¹			
Capable of dimming loads			√	√	√	√	
Preset (user defined favorite level)					√		√
Works with Hi-lume 1% 2-Wire LED Drivers (forward-phase only)	√	√	√	√	√		
Works with Power Interfaces (PHPM and GRX-TVI)				√	√		
Works with Power Interfaces (PHPM-SW)		√					
Works with ELV load type	√	√			√		
Controls speed of a single ceiling fan							√
No wiring required						√	

Diva and Claro Smart Models	Diva Smart Dimmer DVRF-6L	Diva Smart ELV+ Dimmer DVRF-5NE	Claro Smart Switch DVRF-5NS	Claro Smart Accessory Switch DVRF-AS
Figure # (from page 1)	6	6	7	8
Simple two-wire installation (no neutral wire required)	√			√
Capable of dimming loads	√	√		
Preset (user defined favorite level)	√	√		
Works with Hi-lume 1% 2-Wire LED Drivers (forward-phase only)	√	√	√	
Works with Power Interfaces (PHPM-PA/3P and GRX-TVI)		√		
Works with Power Interfaces (PHPM-SW)			√	
Works with ELV load type		√	√	

¹ In some low-wattage applications the PD-10NXD will require a neutral wire connection.

Job Name: <input style="width: 90%;" type="text"/>	Model Numbers: <input style="width: 95%;" type="text"/>	
Job Number: <input style="width: 80%;" type="text"/>	<input style="width: 95%;" type="text"/>	<input style="width: 95%;" type="text"/>

Load Type and Capacity - Switches and Fan Control

Model Number	Description	Voltage	Load Type	Minimum Load	Maximum Load ³		
					Not Ganged	End of Gang	Middle of Gang
PD-5WS-DV ¹	Two-wire switch	120 V~	Incandescent/ Halogen	25 W	600 W	450 W	350 W
		277 V~	Incandescent/ Halogen	25 W	1350 W	1100 W	800 W
		120 V~	MLV	25 W	600 VA/ 475 W	450 VA/350 W	350 VA/275 W
		277 V~	MLV	25 W	1350 VA/ 1075 W	1100 VA/875 W	800 VA/625 W
		120 V~	General Purpose Fan	0.4 A	3 A	3 A	3 A
		120/277 V~	LED	Use LUT-MLC ²	5 A	4 A	3 A
		120/277 V~	Fluorescent	Use LUT-MLC ²	5 A	4 A	3 A
		120 V~	ELV	Use LUT-MLC ²	600 W	450 W	350 W
		277 V~	ELV	Use LUT-MLC ²	1350 W	1100 W	800 W
PD-5ANS DVRF-5NS	Neutral-wire switch (neutral connection required)	120 V~	Incandescent/ Halogen	10 W	600 W	600 W	600 W
			MLV	10 W	600 VA	600 VA	600 VA
			Fan	0.1 A	3 A	3 A	3 A
			LED	1 bulb	5 A	5 A	5 A
			Fluorescent	1 ballast	5 A	5 A	5 A
			ELV	10 W	600 W	600 W	600 W
			PHPM-SW	1 interface	2 interfaces	2 interfaces	2 interfaces
PD-6ANS PD-6ANS-XX-C	Neutral-wire switch (neutral connection required)	120 V~	Incandescent/ Halogen	10 W	720 W	720 W	600 W
			MLV	10 W	720 VA	720 VA	600 VA
			Fan	0.1 A	3.6 A	3.6 A	3.6 A
			LED	1 bulb	6 A	6 A	5 A
			Fluorescent	1 ballast	6 A	6 A	5 A
			ELV	10 W	720 W	720 W	600 W
			PHPM-SW	1 interface	3 interfaces	3 interfaces	3 interfaces
PD-FSQN ⁴	Fan speed control (neutral connection required)	120 V~	Single Ceiling Fan (permanent split-capacitor motor)	0.1 A	1.5 A	1.5 A	1.5 A

¹ No neutral wire required.

² To ensure proper operation of the switch with LED, fluorescent, and ELV loads, a LUT-MLC (included) may be required, especially at lower wattages. If the status LED on the switch is flashing or solid red in color, a LUT-MLC must be installed. To guarantee best performance, installing a LUT-MLC with these load types regardless of wattage is recommended. Rarely, some load types may still flicker or glow in the off state even with the LUT-MLC installed, in which case a different load may be required or more than one LUT-MLC is required.

³ See "Ganging and Derating" section.

⁴ Not for use with fans that have integrated fan speed and/or light control modules, DC motor fans, fans with remote controls, bathroom or kitchen exhaust type fans.

Job Name: <input style="width: 90%; height: 20px;" type="text"/>	Model Numbers: <input style="width: 60%; height: 20px;" type="text"/> <input style="width: 35%; height: 20px;" type="text"/>	
Job Number: <input style="width: 80%; height: 20px;" type="text"/>	<input style="width: 30%; height: 20px;" type="text"/>	<input style="width: 30%; height: 20px;" type="text"/>

Load Type and Capacity - Dimmers

Model Number	Description	Voltage	Load Type	Minimum Load	Maximum Load			
					Not Ganged	End of Gang	Middle of Gang	
PD-10NXD ⁷ PD-10NXD-XX-C	Dimmer PRO (neutral connection required for certain load types) ⁴	120 V~	Incandescent/Halogen	10 W with neutral (25 W without neutral)	1000 W	800 W	600 W	
			MLV Halogen	10 W	1000 VA	800 VA	600 VA	
			MLV LED	See Application Note #559 (P/N 048559) at www.lutron.com				
			LED (120 V~ Rated) ³	1 bulb ³	250 W	250 W	250 W	
			Hi-lume 1% 2-Wire LED drivers	1 driver	13 drivers	13 drivers	13 drivers	
			Dimmable Ballasts ⁵	1 ballast	1000 VA	800 VA	600 VA	
PD-3PCL ^{1,8} PD-3PCL-WH-C ^{1,8}	Plug-In Lamp Dimmer	120 V~	Incandescent/Halogen	10 W	300 W	N/A	N/A	
			LED (120 V~ Rated) ³	1 bulb ³	100 W	N/A	N/A	
PD-5NE	Phase Selectable Dimmer (neutral connection required)	120 V~	Incandescent/Halogen	10 W	500 W	400 W	300 W	
			LED (120 V~ Rated) ^{3,6,7}	1 bulb ³	250 W	250 W	250 W	
			MLV Halogen ^{2,6,7}	10 W	400 VA	400 VA	400 VA	
			ELV Halogen	10 W	500 W	400 W	300 W	
			Hi-lume 1% 2-Wire LED drivers ^{2,6,7}	1 driver	20 drivers	20 drivers	20 drivers	
			Dimmable Ballasts ^{5,6,7}	1 ballast	400 VA	400 VA	400 VA	
			PHPM-PA/3F and GRX-TVI ^{2,7}	1 interface	3 interfaces	3 interfaces	3 interfaces	
			ELV LED	See Application Note #559 (P/N 048559) at www.lutron.com				
MLV LED ^{2,6,7}	See Application Note #559 (P/N 048559) at www.lutron.com							
DVRF-5NE	Phase Selectable Dimmer (neutral connection required)	120 V~	Incandescent/Halogen ⁹	5 W	500 W	400 W	300 W	
			LED (120 V~ rated) ^{3,6,10}	1 bulb ³	250 W	200 W	150 W	
			MLV Halogen ^{2,6,10}	10 W	400 VA	400 VA	400 VA	
			ELV Halogen	10 W	500 W	400 W	300 W	
			Hi-lume 1% 2-wire LED drivers ^{2,6,10}	1 driver	20 drivers	20 drivers	20 drivers	
			Dimmable Ballasts ^{5,10}	1 ballast	400 VA	400 VA	400 VA	
			PHPM-PA/3F and GRX-TVI ^{2,10}	1 interface	3 interfaces	3 interfaces	3 interfaces	
			ELV LED	See Application Note #559 (P/N 048559) at www.lutron.com				
MLV LED ^{2,6,10}	See Application Note #559 (P/N 048559) at www.lutron.com							
PD-6WCL DVRF-6L	Dimmer	120 V~	Incandescent/Halogen	25 W	600 W	500 W	400 W	
			LED (120 V~ Rated) ³	1 bulb ³	150 W	150 W	150 W	

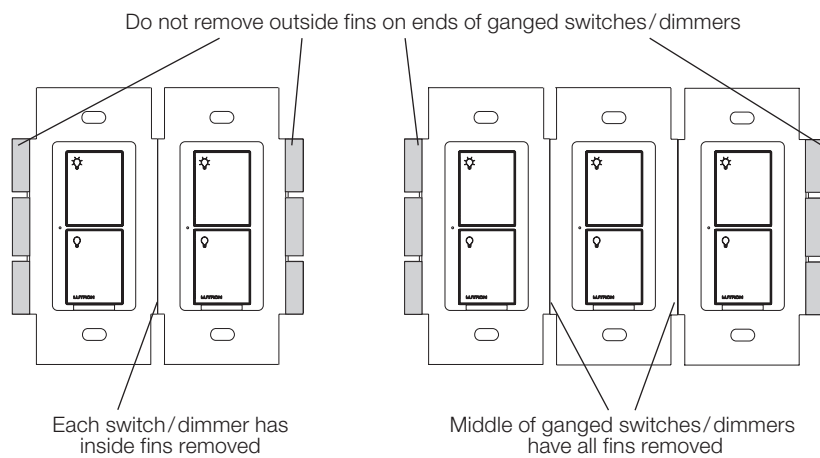
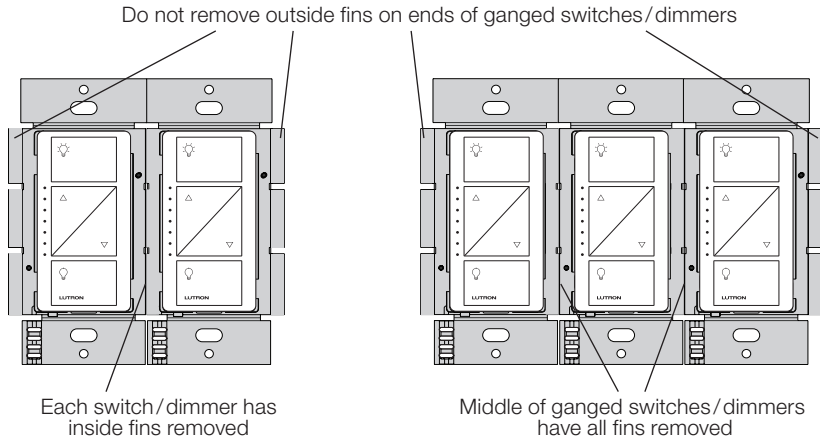
- ¹ Cannot be ganged.
- ² Need to change phase selection to forward-phase. See www.casetawireless.com/change_phase
- ³ See bulb list at www.lutron.com/led
- ⁴ For PD-10NXD, a neutral connection is required for MLV loads, LED drivers, dimmable ballasts, and power modules (PHPM-PA, PHPM-3F, and GRX-TVI).
- ⁵ Compatible dimmable ballasts include Tu-Wire, Mark 10s, and PowerSense.
- ⁶ Consult <https://www.casetawireless.com/support> to ensure the appropriate phase for bulb models used.
- ⁷ SSL7 compliant when in forward-phase.
- ⁸ Available in WH only.
- ⁹ Reverse-phase only.
- ¹⁰ SSL7 compliant when in forward-phase up to 50 W.

Job Name: <input style="width: 90%;" type="text"/>	Model Numbers: <input style="width: 95%;" type="text"/>
Job Number: <input style="width: 80%;" type="text"/>	<input style="width: 95%;" type="text"/>

Ganging and Derating

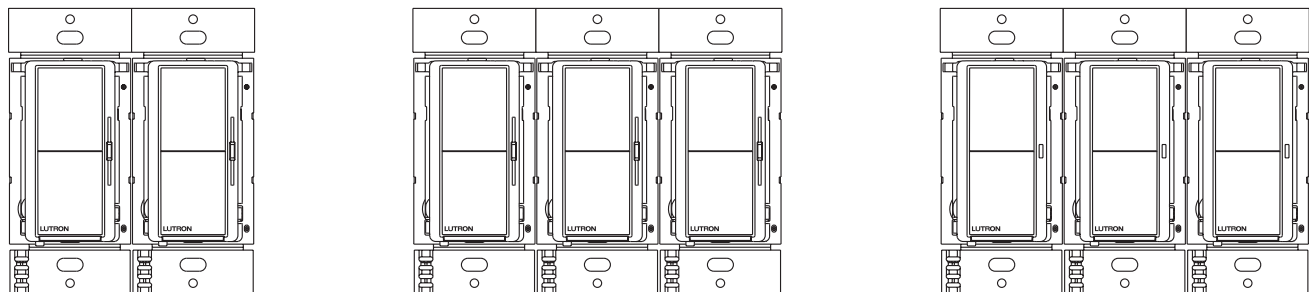
When ganging with other switches/dimmers in the same wallbox, derating is required. See “Load Type and Capacity” charts.

Original Smart Models



Note: Fin removal is not required for PD-5WS-DV, as it ships without fins.

Diva and Claro Smart Models



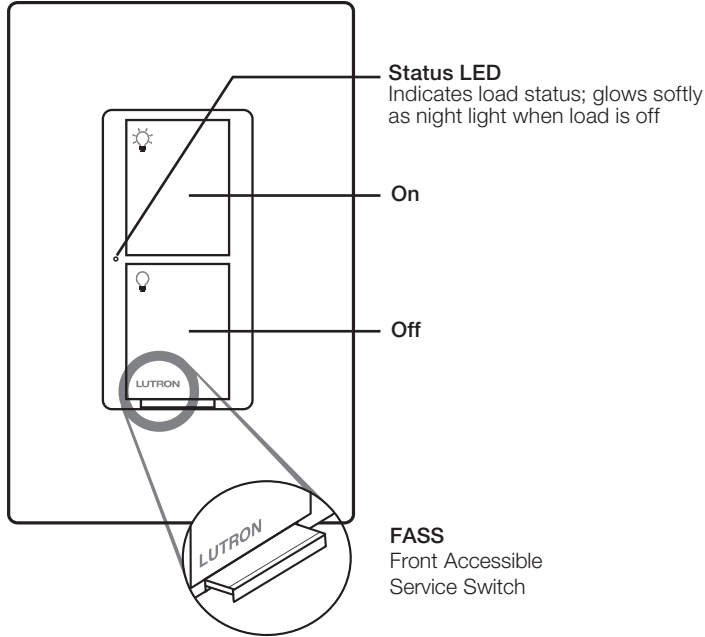
Note: DVRF- models don't have fins but derating may still be required. See “Load Type and Capacity” charts.

Job Name:	Model Numbers:	
<input type="text"/>	<input type="text"/>	<input type="text"/>
Job Number:	<input type="text"/>	<input type="text"/>

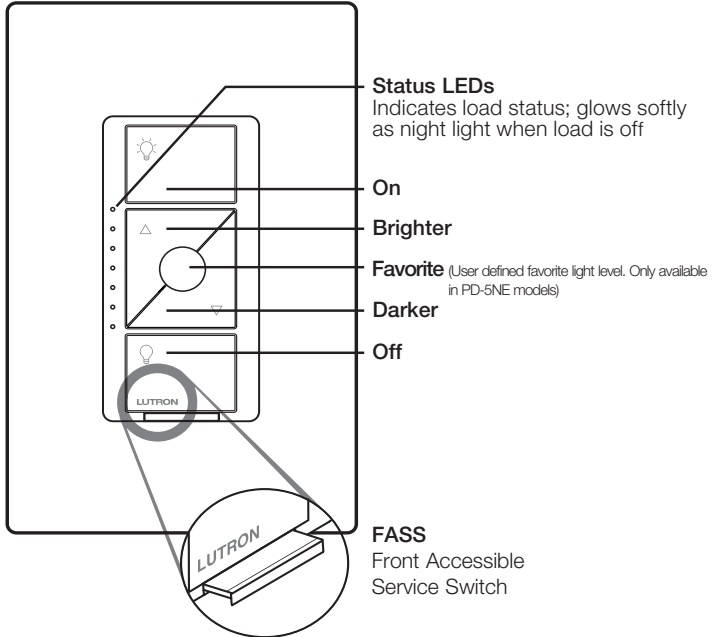
Operation

Original Smart Models

Switches



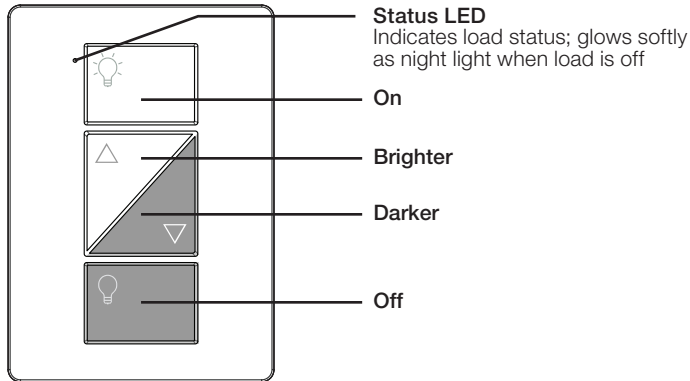
Dimmers



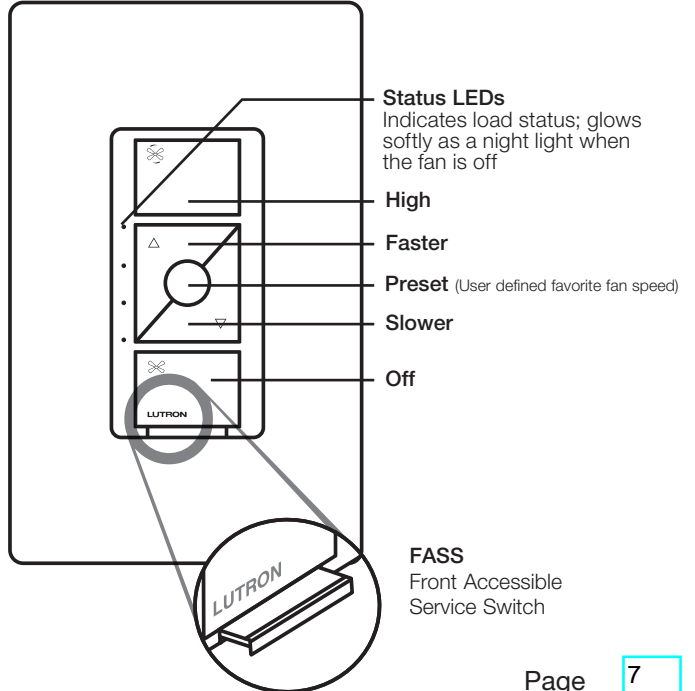
FASS – Front Accessible Service Switch

Important Notice: To service load, remove power by pulling out the FASS as far as possible. To restore power after servicing load, push the FASS back in completely.

Plug-In Dimmer



Fan Control

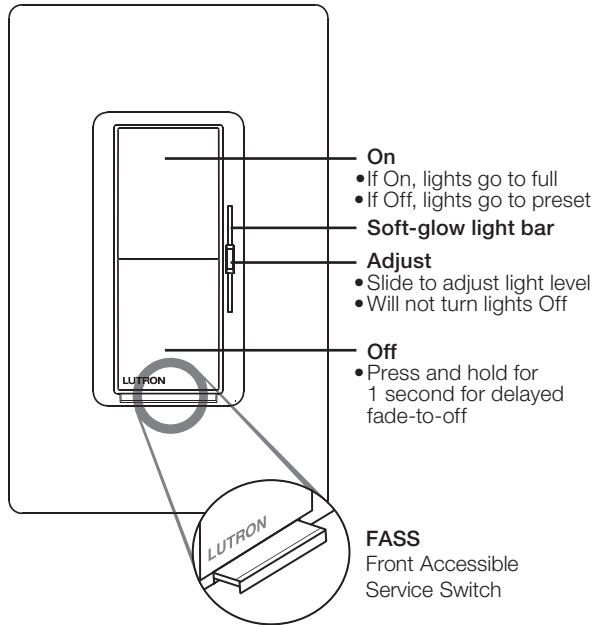


Job Name:	Model Numbers:	
<input type="text"/>	<input type="text"/>	<input type="text"/>
Job Number:	<input type="text"/>	<input type="text"/>

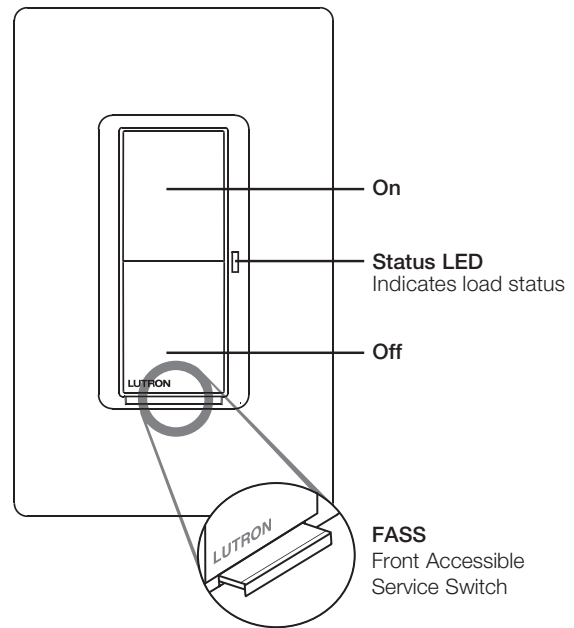
Operation (continued)

Diva and Claro Smart Models

Dimmer



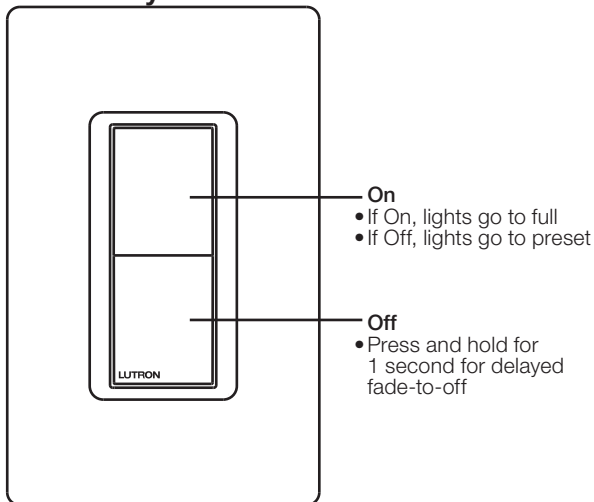
Switch



FASS – Front Accessible Service Switch

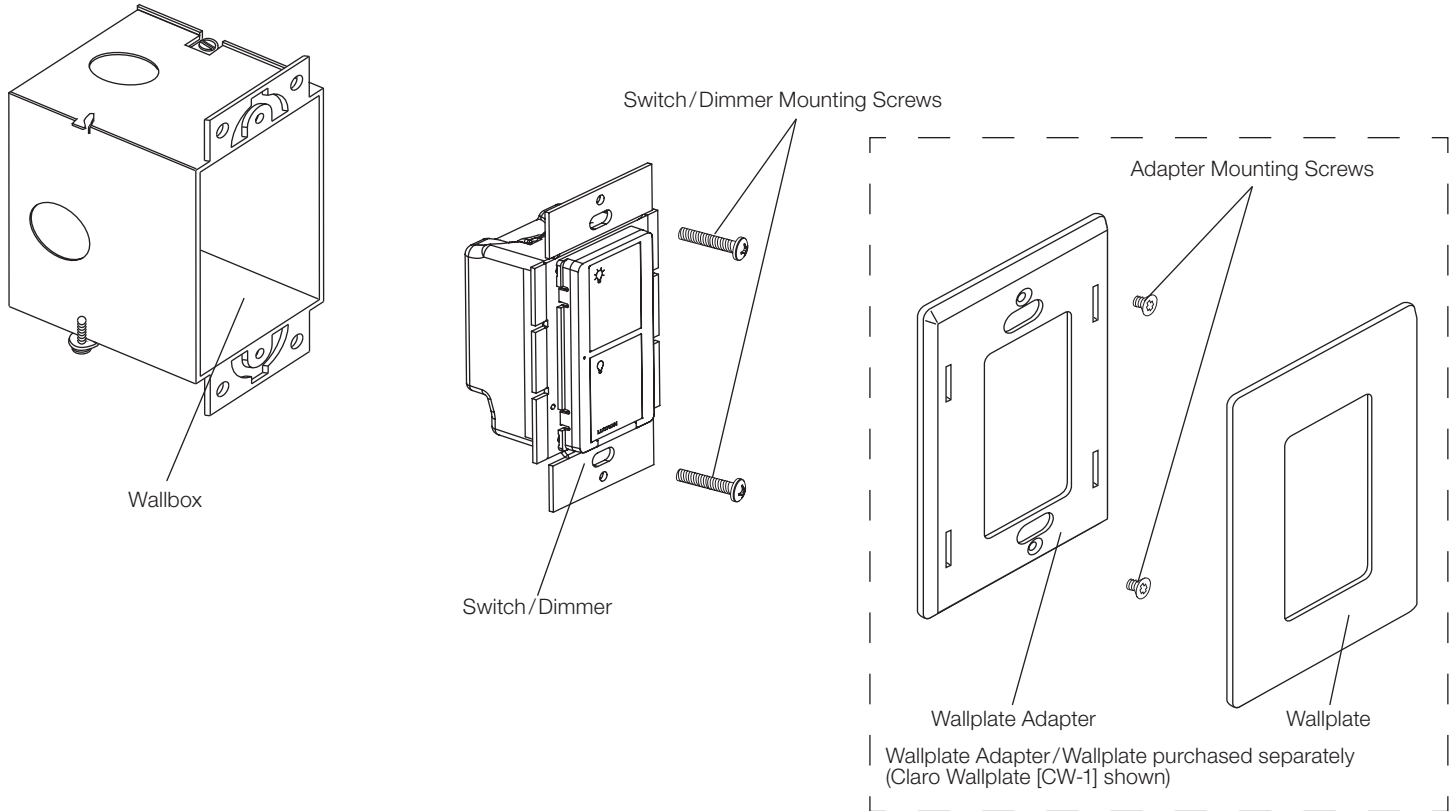
Important Notice: To service load, remove power by pulling out the FASS as far as possible. To restore power after servicing load, push the FASS back in completely.

Accessory Switch



Job Name:	Model Numbers:	
<input type="text"/>	<input type="text"/>	<input type="text"/>
Job Number:	<input type="text"/>	<input type="text"/>

Mounting



Note: Fin removal is not required for PD-5WS, DVRF-6L, DVRF-5NS, DVRF-5NE, and DVRF-AS. They all ship without fins.

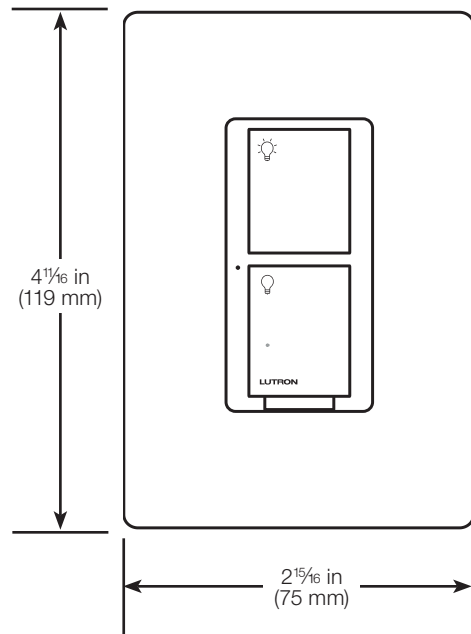
Job Name:	Model Numbers:	
<input type="text"/>	<input type="text"/>	<input type="text"/>
Job Number:	<input type="text"/>	<input type="text"/>

Dimensions

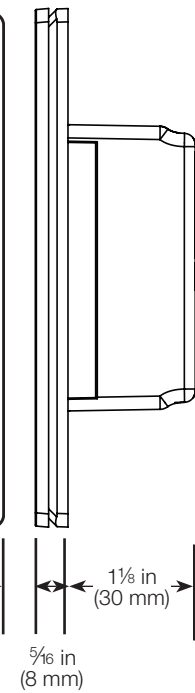
Original Smart Models

Switches and Dimmers

Front View

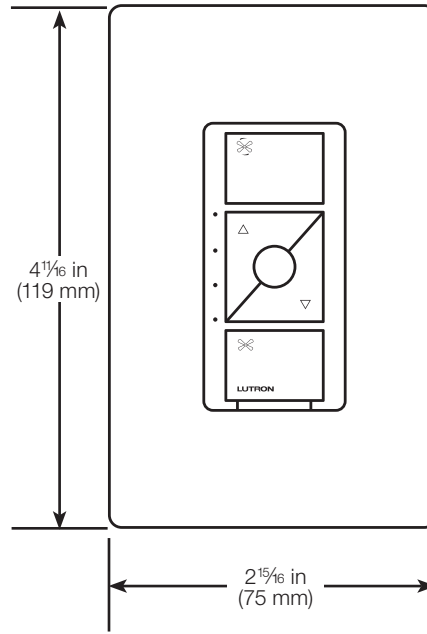


Side View

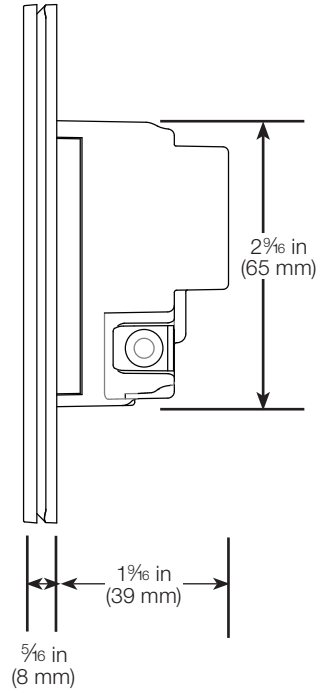


Fan Control

Front View

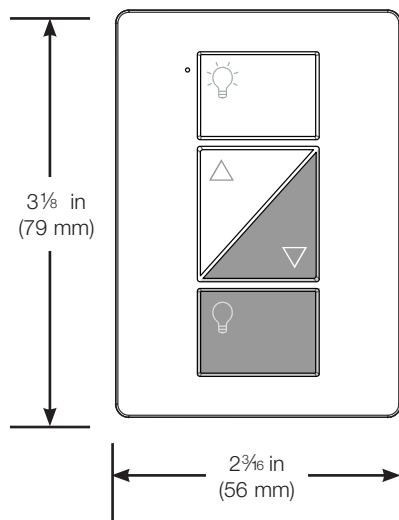


Side View

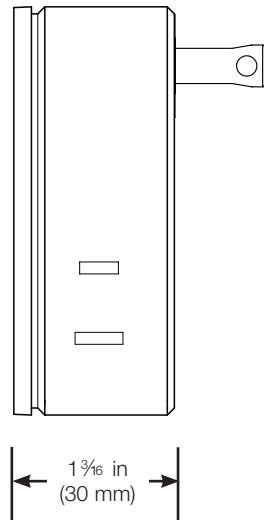


Plug-In Dimmer

Front View



Side View

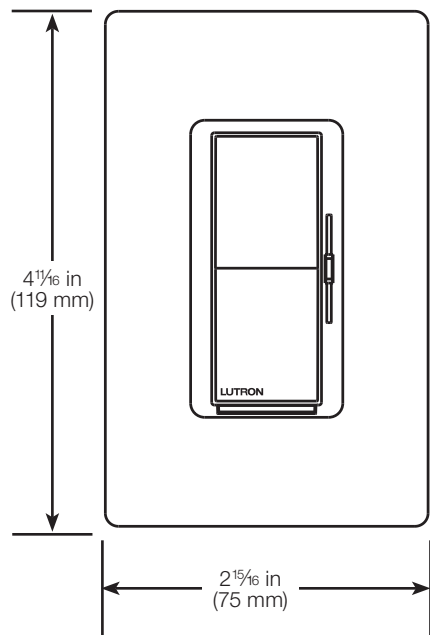


Job Name:	Model Numbers:	
<input type="text"/>	<input type="text"/>	<input type="text"/>
Job Number:	<input type="text"/>	<input type="text"/>

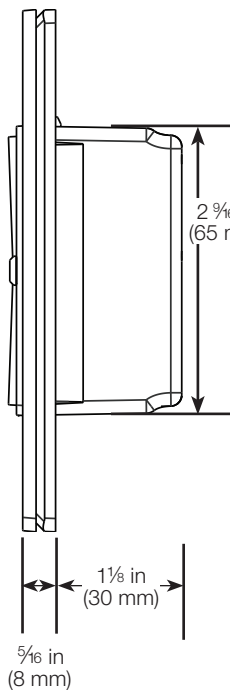
Dimensions (continued)

Diva and Claro Smart Models
Dimmer

Front View

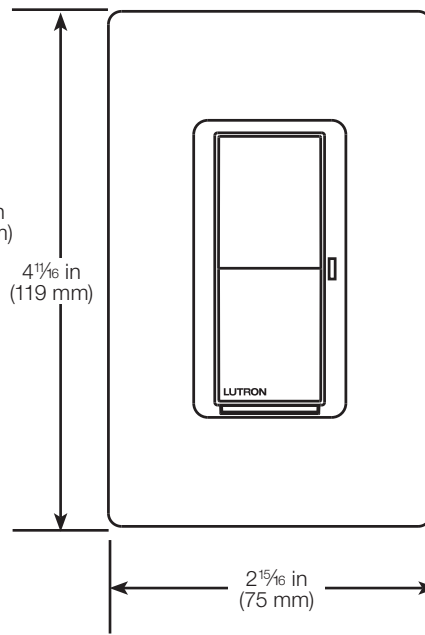


Side View

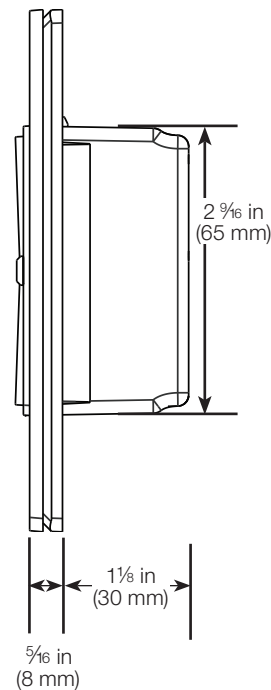


Switch

Front View

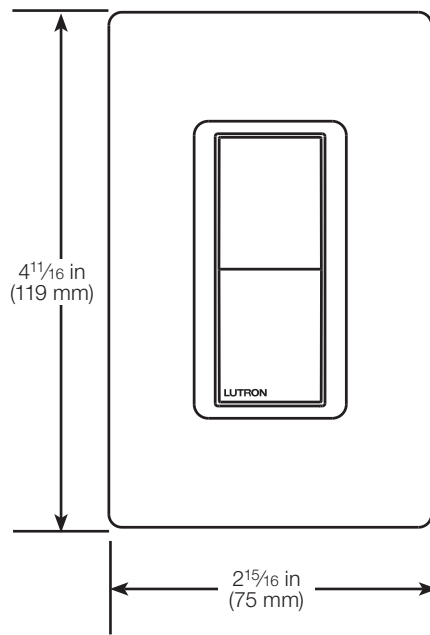


Side View

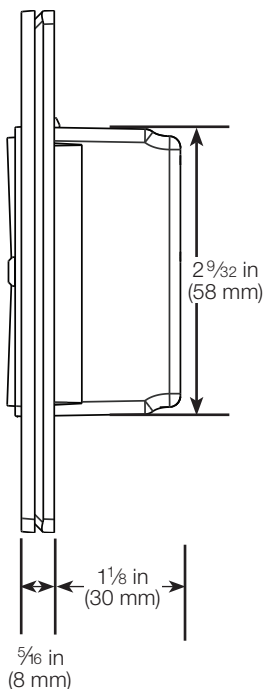


Accessory Switch

Front View



Side View



Job Name:	Model Numbers:	
<input type="text"/>	<input type="text"/>	<input type="text"/>
Job Number:	<input type="text"/>	<input type="text"/>

Wiring Diagram Table of Contents

Switches (PD-5WS-DV, PD-5ANS, PD-6ANS, DVRF-5NS)

[Single Pole Installation \(load is controlled from 1 location\)](#)..... 13

3-way Installation (load is controlled from 2 locations)

[Option 1: With a mechanical switch](#) 14

[Option 2: With Pico remote controls](#)..... 16

[Option 3: With an Accessory Switch](#)..... 17

Multi-location Installation (load is controlled from 3 or more locations)

[Option 1: With Pico remote controls](#)..... 18

[Option 2: With Accessory Switches](#) 19

Dimmers (PD-10NXD, PD-5NE, DVRF-5NE, PD-6WCL, PD-5NE, DVRF-6L)

[Single Pole Installation \(load is controlled from 1 location\)](#)..... 20

3-way Installation (load is controlled from 2 locations)

[Option 1: With a mechanical switch](#) 21

[Option 2: With Pico remote controls](#)..... 23

[Option 3: With an Accessory Switch](#)..... 24

Multi-location Installation (load is controlled from 3 or more locations)

[Option 1: With Pico remote controls](#)..... 25

[Option 2: With Accessory Switches](#) 26

Installation With Power Interfaces and LED Drivers - Neutral Required

[Option 1: PHPM](#) 28

[Option 2: GRX-TVI](#) 29

[Option 3: Hi-lume 1% 2-wire LED Drivers](#)..... 29

Fan Control

[Single Pole Installation \(load is controlled from 1 location\)](#)..... 30

3-way Installation (load is controlled from 2 locations)

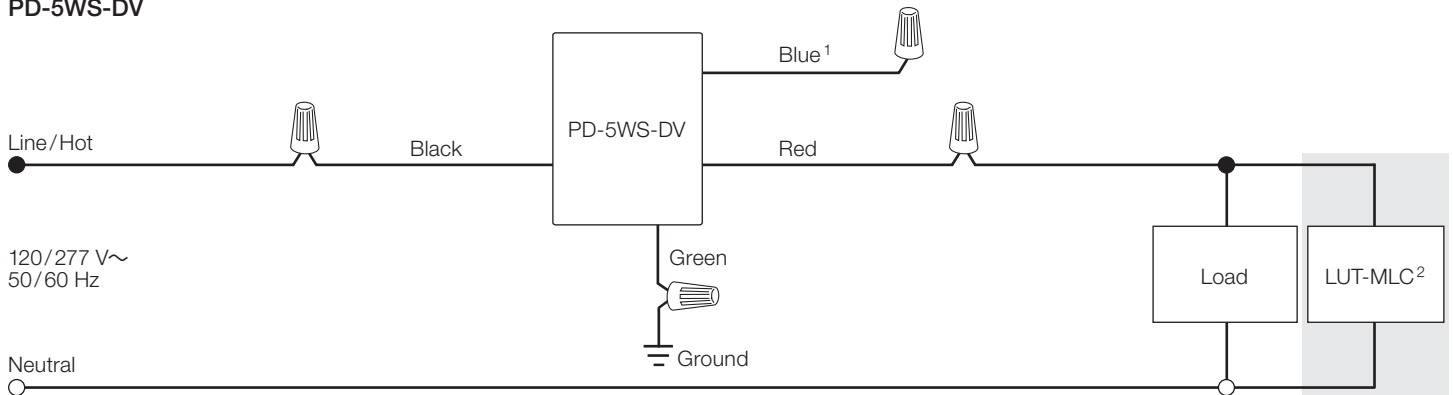
[Option 1: With Pico remote controls](#)..... 30

Job Name: <input style="width: 90%; height: 20px;" type="text"/>	Model Numbers: <input style="width: 60%; height: 20px;" type="text"/> <input style="width: 35%; height: 20px;" type="text"/>	
Job Number: <input style="width: 80%; height: 20px;" type="text"/>	<input style="width: 30%; height: 20px;" type="text"/>	<input style="width: 35%; height: 20px;" type="text"/>

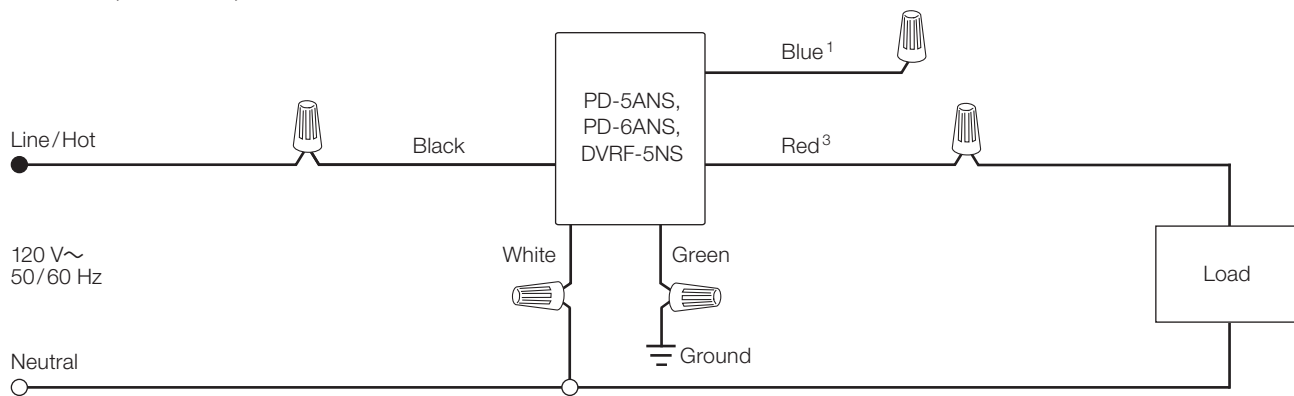
Wiring Diagrams - Switches

Single Pole Installation (load is controlled from 1 location)

PD-5WS-DV



PD-5ANS, PD-6ANS, DVRF-5NS



¹ When using controls without a mechanical 3-way switch, cap the blue terminal. **Do not** connect the blue wire to any other wiring or to ground.

² A LUT-MLC ensures proper function when LED, fluorescent, or ELV loads are used. Install the LUT-MLC inside a load fixture or in a separate junction box within the circuit.

³ The red wire must be connected to the load and the black wire must be connected to Line/Hot. The switch will not work if the wires are reversed.

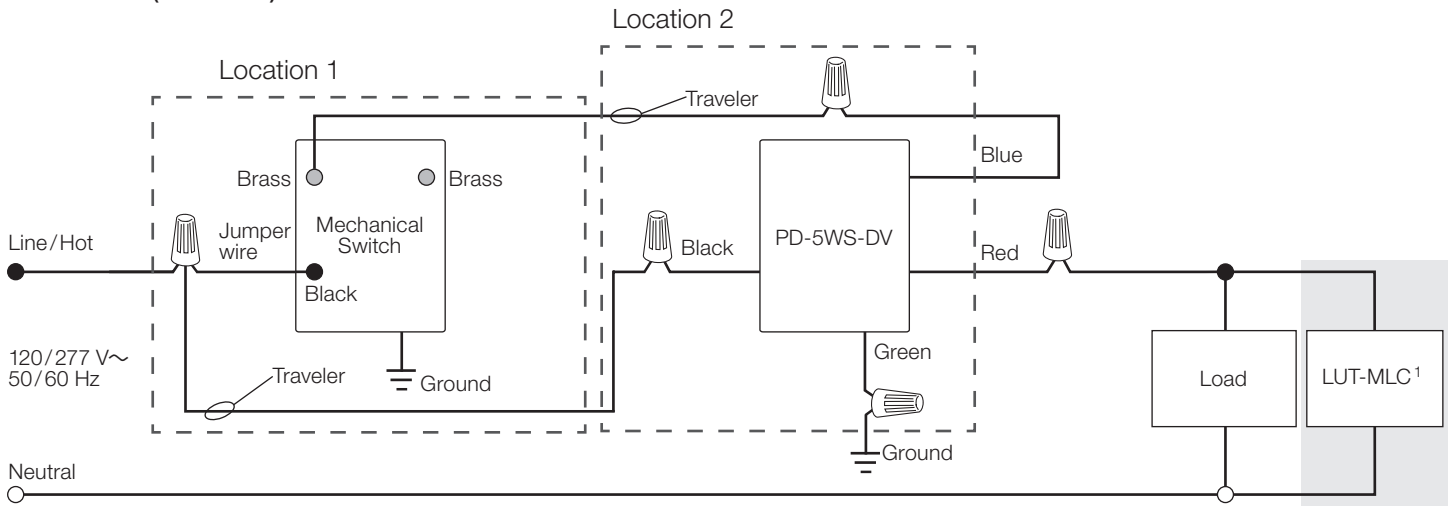
(continued on next page...)

Job Name: <input type="text"/>	Model Numbers: <input type="text"/>	
Job Number: <input type="text"/>	<input type="text"/>	<input type="text"/>

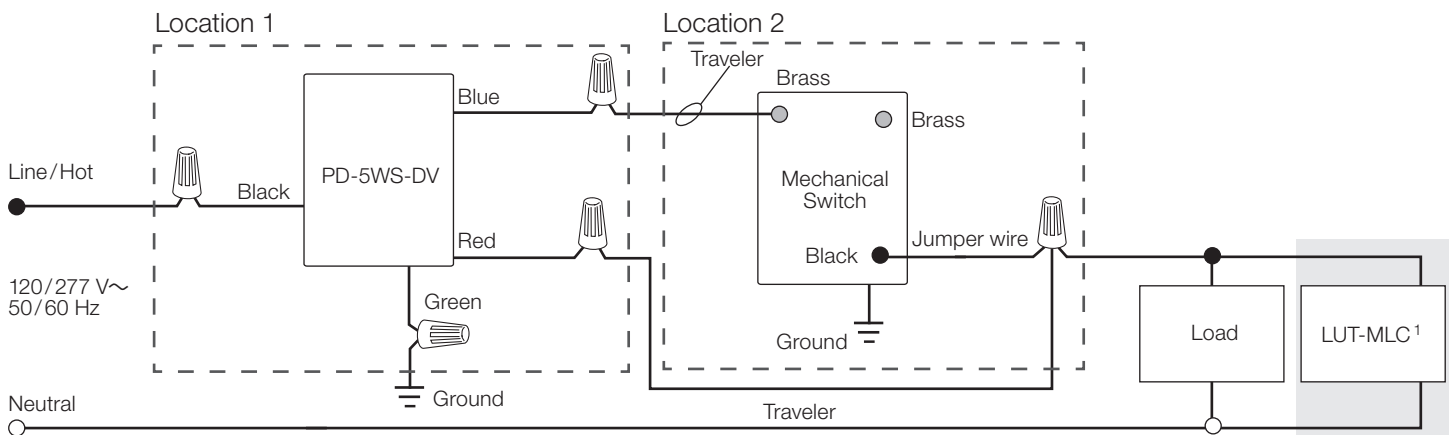
Wiring Diagrams - Switches *(continued)* 3-Way Installation (load is controlled from 2 locations)

Option 1: With mechanical switch

PD-5WS-DV (Load-side)



PD-5WS-DV (Line-side)



¹ A LUT-MLC ensures proper function when LED, fluorescent, or ELV loads are used. Install the LUT-MLC inside a load fixture or in a separate junction box within the circuit.

(continued on next page...)

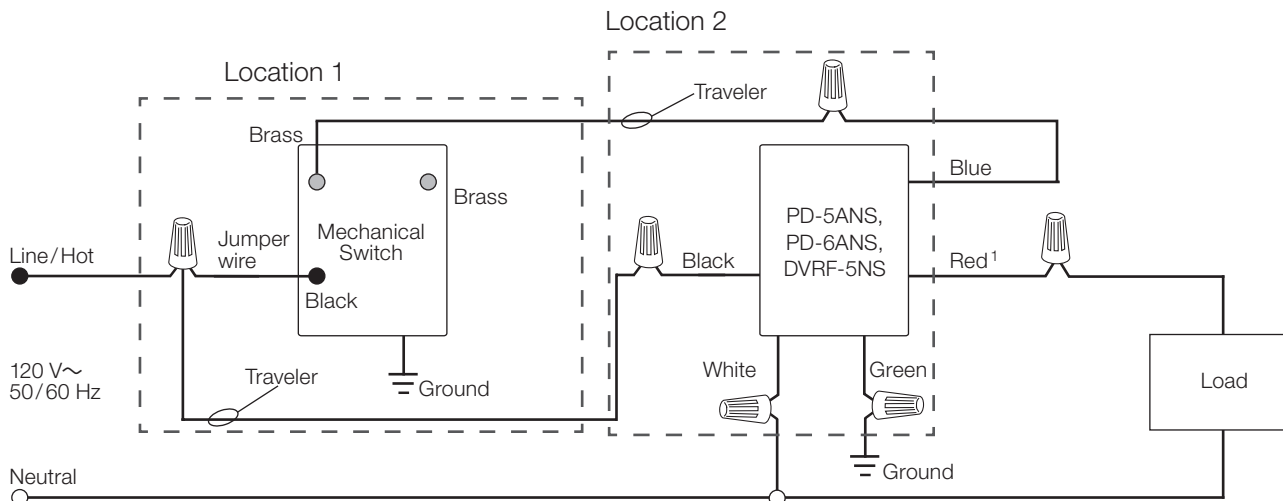
Job Name:	Model Numbers:	
<input type="text"/>	<input type="text"/>	<input type="text"/>
Job Number:	<input type="text"/>	<input type="text"/>

Wiring Diagrams - Switches *(continued)*

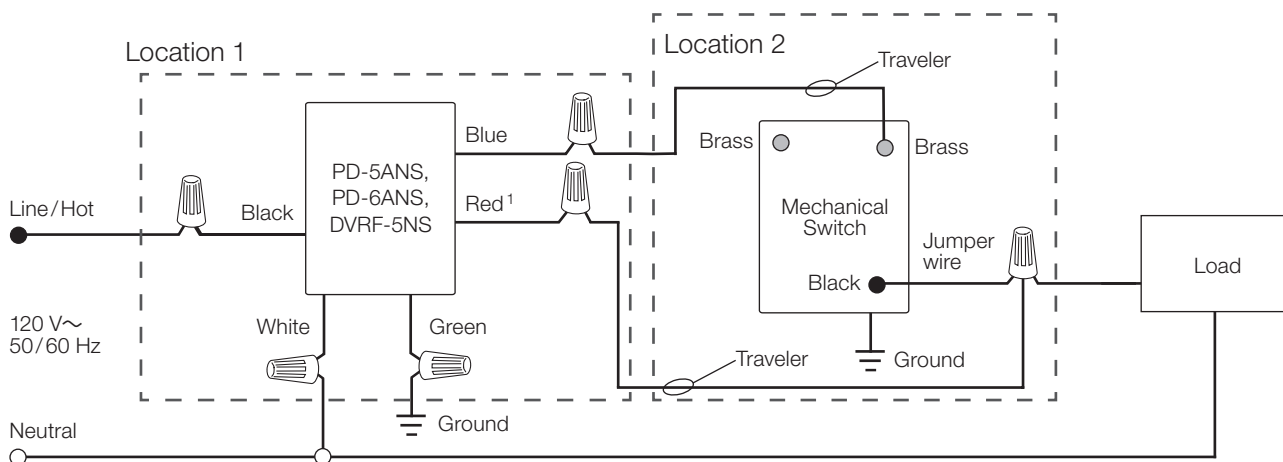
3-Way Installation (load is controlled from 2 locations) *(continued)*

Option 1: With mechanical switch *(continued)*

PD-5ANS, PD-6ANS, DVRF-5NS (Load-side)



PD-5ANS, PD-6ANS, DVRF-5NS (Line-side)



¹ The red wire must be connected to the load and the black wire must be connected to Line/Hot. The switch will not work if the wires are reversed.

Job Name:	Model Numbers:	
<input type="text"/>	<input type="text"/>	<input type="text"/>
Job Number:	<input type="text"/>	<input type="text"/>

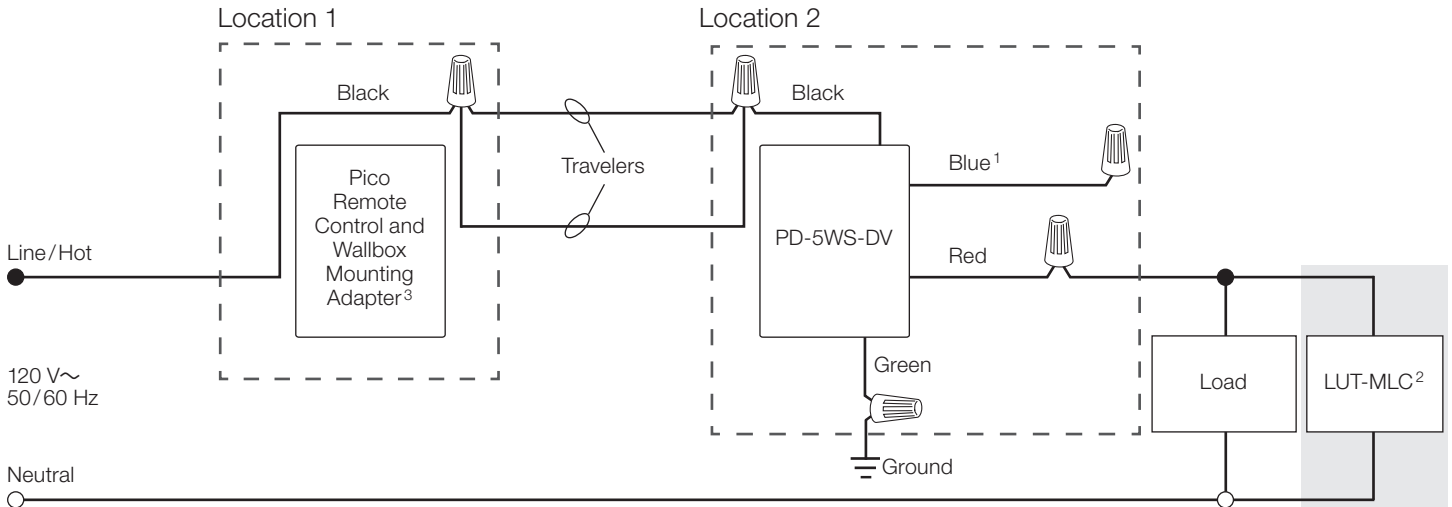
Wiring Diagrams - Switches *(continued)*

3-Way Installation (load is controlled from 2 locations) *(continued)*

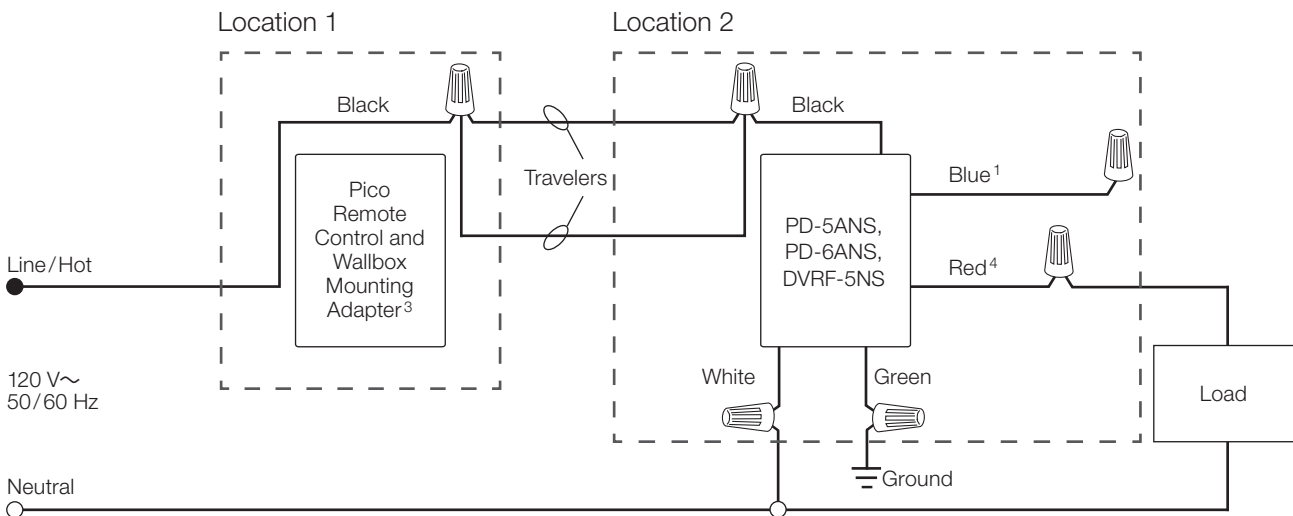
Option 2: With Pico remote controls

PJ2-2B-xx and wallbox mounting adapters (PICO-WBX-ADAPT)

PD-5WS-DV



PD-5ANS, PD-6ANS, DVRF-5NS



¹ When using controls without mechanical 3-way switch, cap the blue terminal. **Do not** connect the blue wire to any other wiring or to ground.

² A LUT-MLC ensures proper function when LED, fluorescent, or ELV loads are used. Install the LUT-MLC inside a load fixture or in a separate junction box within the circuit.

³ The mechanical switch will need to be removed so the Pico remote control can be installed.

⁴ The red wire must be connected to the load and the black wire must be connected to Line/Hot. The switch will not work if the wires are reversed.

(continued on next page...)

Job Name:	Model Numbers:	
<input type="text"/>	<input type="text"/>	<input type="text"/>
Job Number:	<input type="text"/>	<input type="text"/>

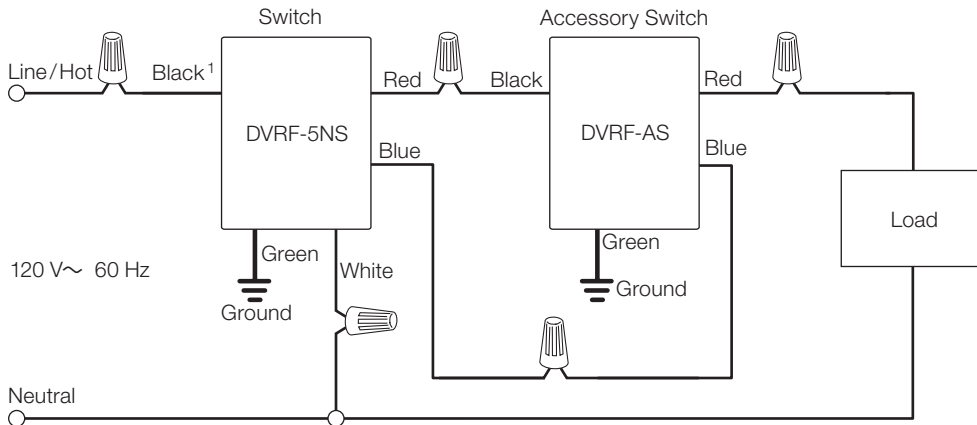
Wiring Diagrams - Switches *(continued)*

3-Way Installation (load is controlled from 2 locations) *(continued)*

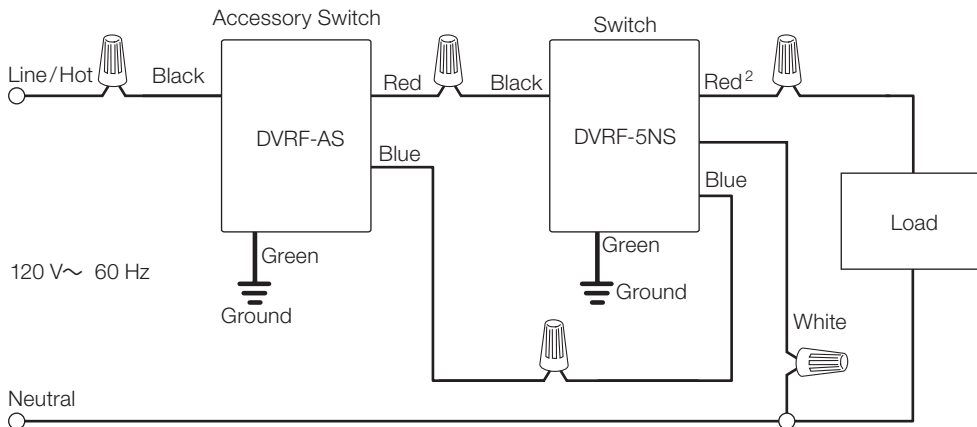
Option 3: With an accessory switch

DVRF-5NS and Smart Accessory Switch (DVRF-AS)

DVRF-5NS (Line Side)



DVRF-5NS (Load Side)



¹ The black wire of the main switch must always be connected to the Line/Hot wire. The black and red wires of the accessory switch are reversible.

² The red wire of the main switch must always be connected to the load. The black and red wires of the accessory switch (DVRF-AS) are reversible.

Job Name:	Model Numbers:	
<input type="text"/>	<input type="text"/>	<input type="text"/>
Job Number:	<input type="text"/>	<input type="text"/>

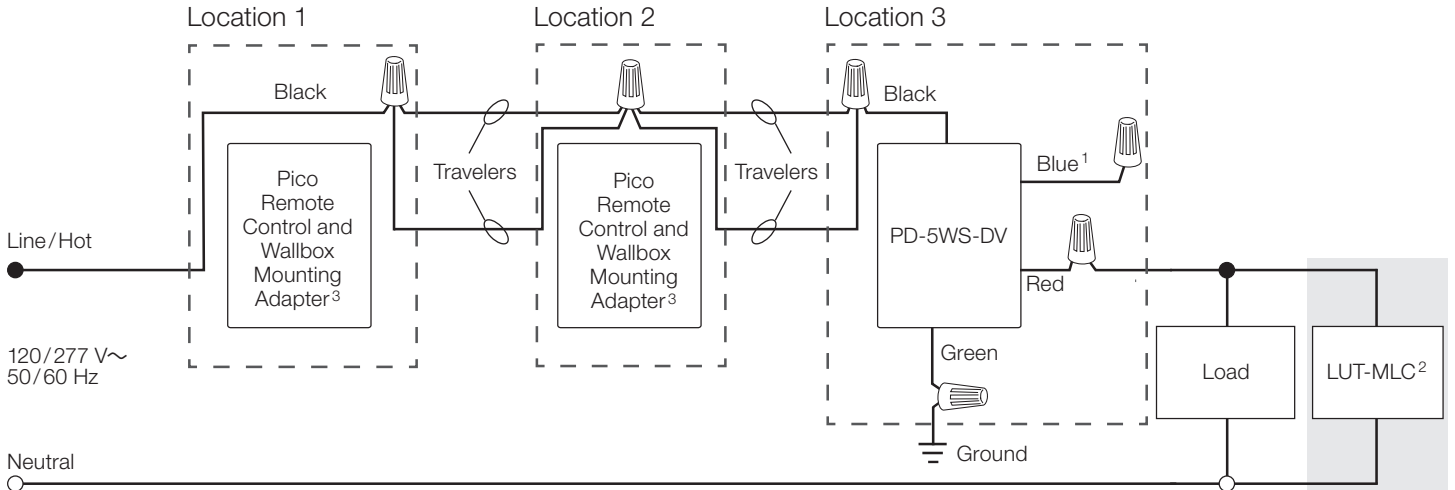
Wiring Diagrams - Switches *(continued)*

Multi-location Installation (load is controlled from 3 or more locations)

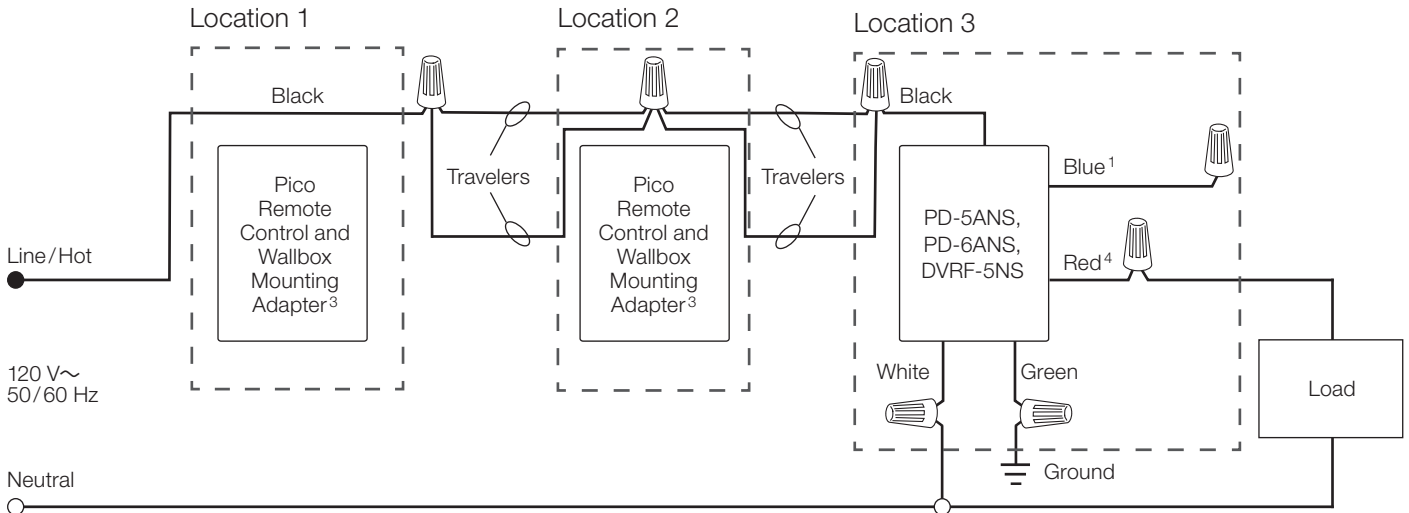
Option 1: With Pico remote controls

PJ2-2B-xx and wallbox mounting adapters (PICO-WBX-ADAPT)

PD-5WS-DV



PD-5ANS, PD-6ANS, DVRF-5NS



¹ When using controls without mechanical 3-way switch, cap the blue terminal. **Do not** connect the blue wire to any other wiring or to ground.

² A LUT-MLC ensures proper function when LED, fluorescent, or ELV loads are used. Install the LUT-MLC inside a load fixture or in a separate junction box within the circuit.

³ The mechanical switch will need to be removed so the Pico remote control can be installed.

⁴ The red wire must be connected to the load and the black wire must be connected to Line/Hot. The switch will not work if the wires are reversed.

Job Name:	Model Numbers:	
<input type="text"/>	<input type="text"/>	<input type="text"/>
Job Number:	<input type="text"/>	<input type="text"/>

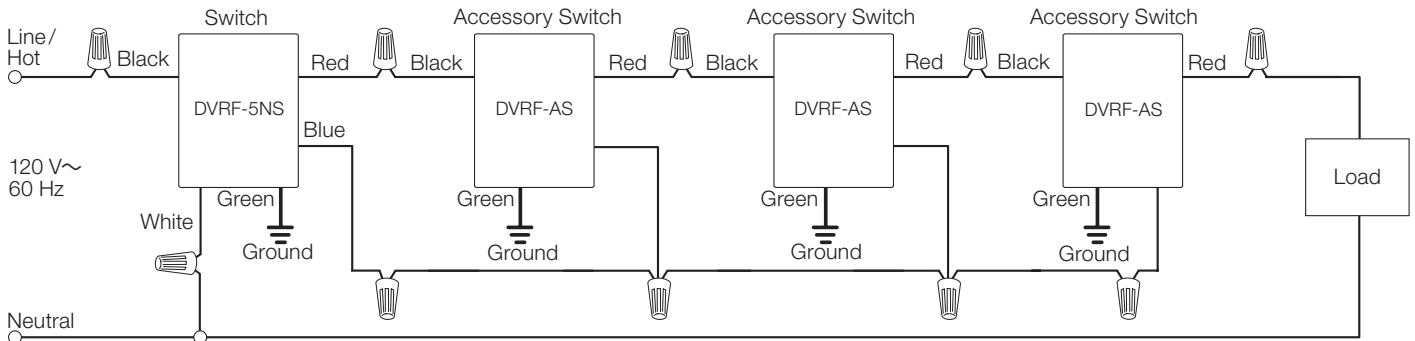
Wiring Diagrams - Switches *(continued)*

Multi-location Installation (load is controlled from 3 or more locations) *(continued)*

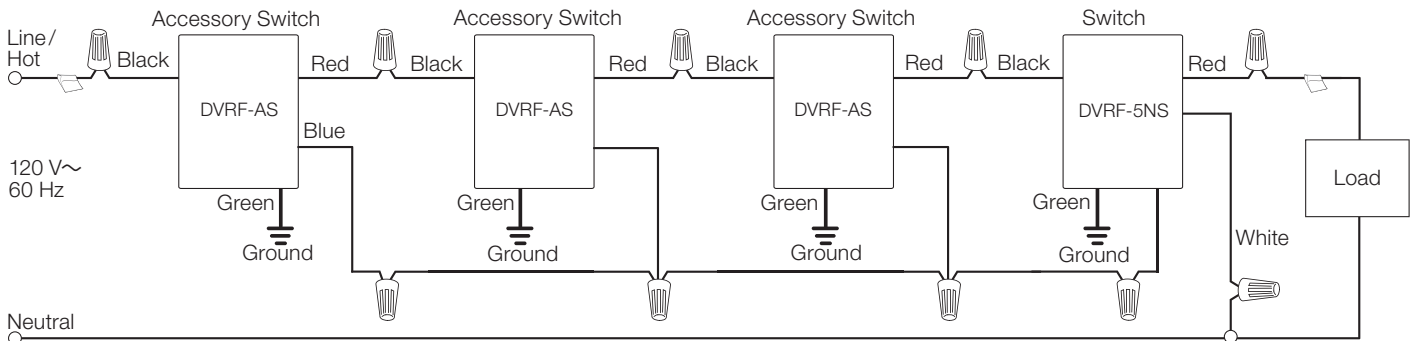
Option 2: With accessory switches

DVRF-5NS and Smart Accessory Switch (DVRF-AS)^{1,2,3,4}

DVRF-5NS (Line Side)

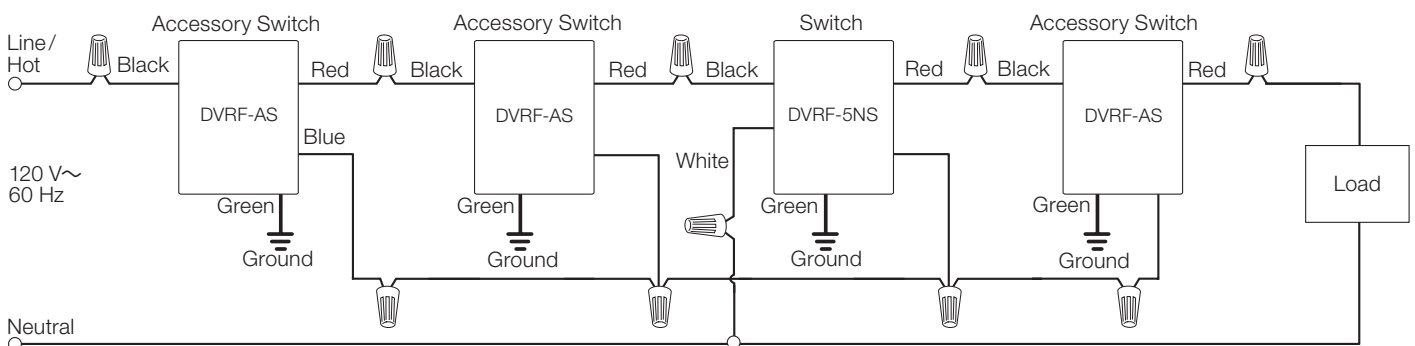


DVRF-5NS (Load Side)



DVRF-5NS (In the Middle)

Note: Main switch can go in any location.



¹ Up to ten (10) accessory switches may be connected to the switch. Total blue wire connection wire length may be up to 150 ft (45 m).

² Switch on line side: The black wire of the main switch must always be connected to the Line/Hot wire. The black and red wires of the accessory switch (DVRF-AS) are reversible.

³ Switch on load side: The red wire of the main switch must always be connected to the load. The black and red wires of the accessory switch (DVRF-AS) are reversible.

⁴ Switch in the middle: If the indicator lights do not illuminate, swap the the black and red wires of the main switch

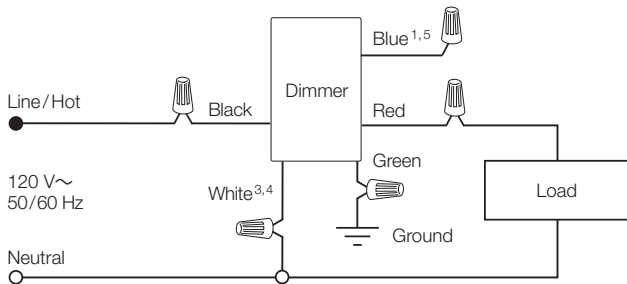
Note: The black wire of the main switch must always be connected to the Line/Hot wire. The black and red wires of the accessory switch are reversible.

Job Name: <input type="text"/>	Model Numbers: <input type="text"/>	
Job Number: <input type="text"/>	<input type="text"/>	<input type="text"/>

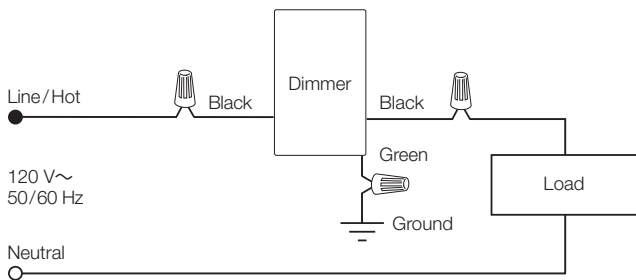
Wiring Diagrams - Dimmers

Single Pole Installation (load is controlled from 1 location)

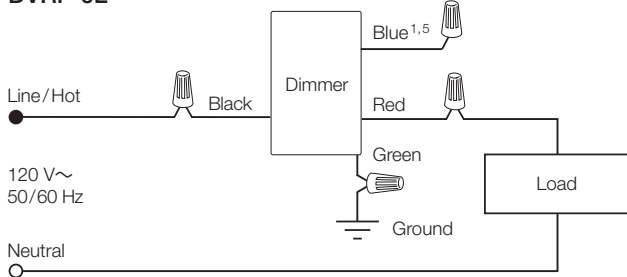
PD-10NXD, PD-5NE, DVRF-5NE



PD-6WCL



DVRF-6L



¹ When using controls without mechanical 3-way switch, cap the blue terminal. **Do not** connect the blue wire to any other wiring or to ground.

² Location of Caséta dimmer PRO and mechanical switch may be reversed.

³ For PD-10NXD only, neutral connection optional except for MLV loads, LED drivers, and power modules (PHPM-PA, PHPM-3F, and GRX-TV).

⁴ For PD-5NE and DVRF-5NE, neutral is required.

⁵ Blue wire is only present on the PD-10NXD, DVRF-6L, and DVRF-5NE models.

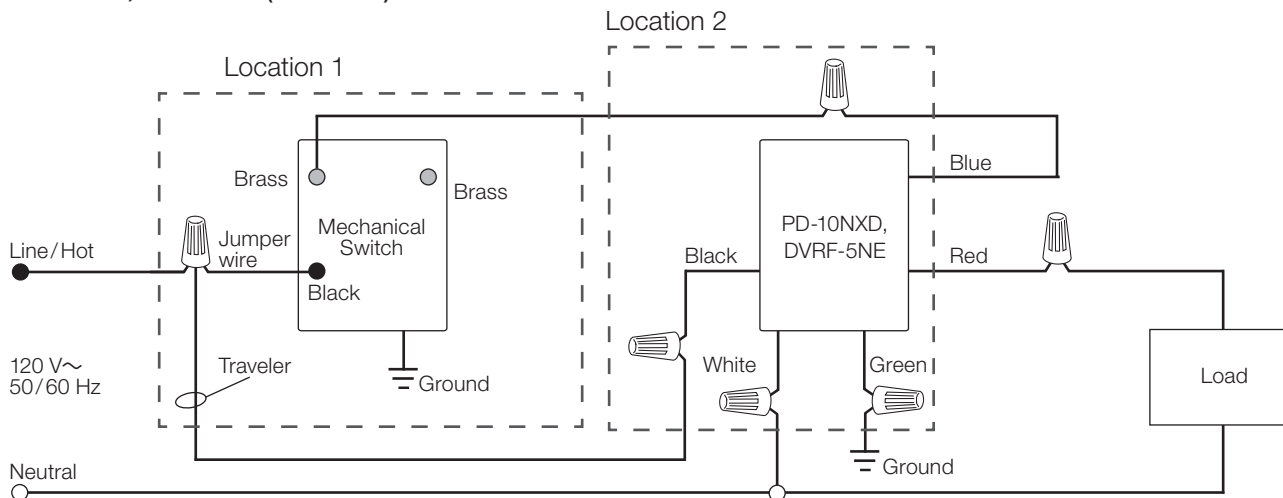
Job Name: <input type="text"/>	Model Numbers: <input type="text"/>	
Job Number: <input type="text"/>	<input type="text"/>	<input type="text"/>

Wiring Diagrams - Dimmers (continued)

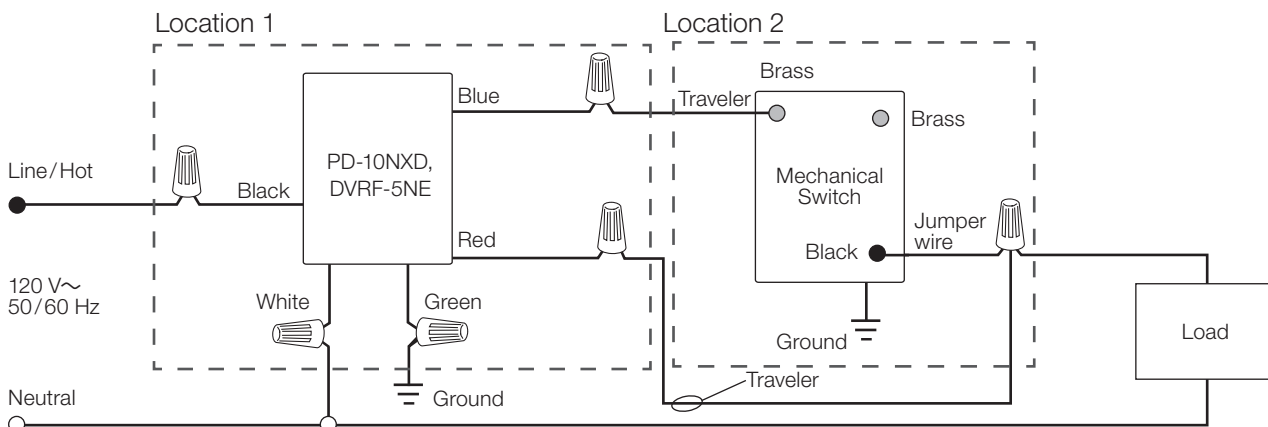
3-Way Installation (load is controlled from 2 locations)

Option 1: With mechanical switch

PD-10NXD, DVRF-5NE (Load-side)



PD-10NXD, DVRF-5NE (Line-side)



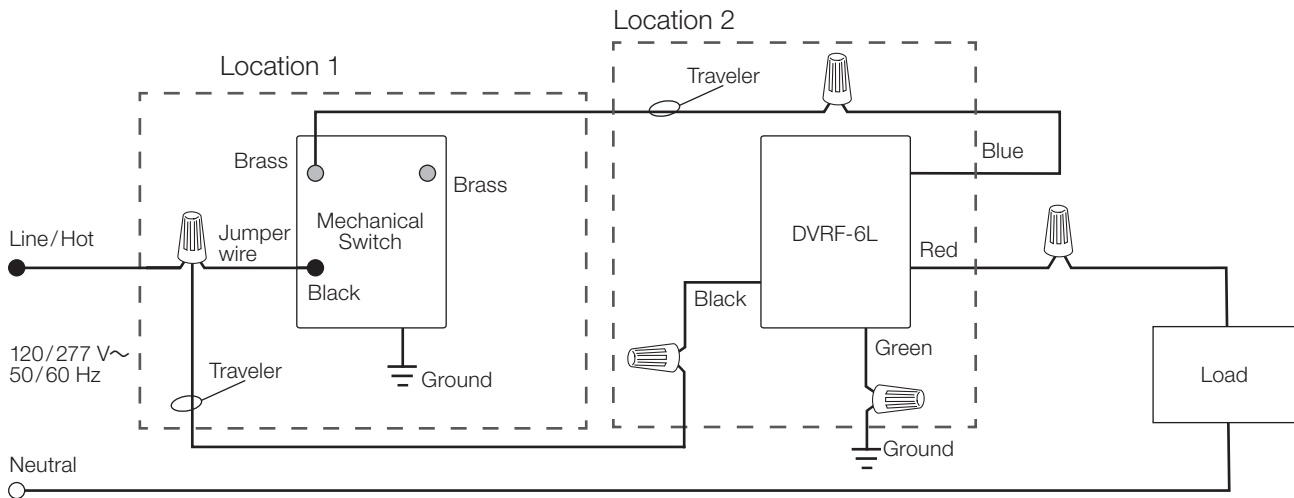
Job Name:	Model Numbers:	
<input type="text"/>	<input type="text"/>	<input type="text"/>
Job Number:	<input type="text"/>	<input type="text"/>

Wiring Diagrams - Dimmers (continued)

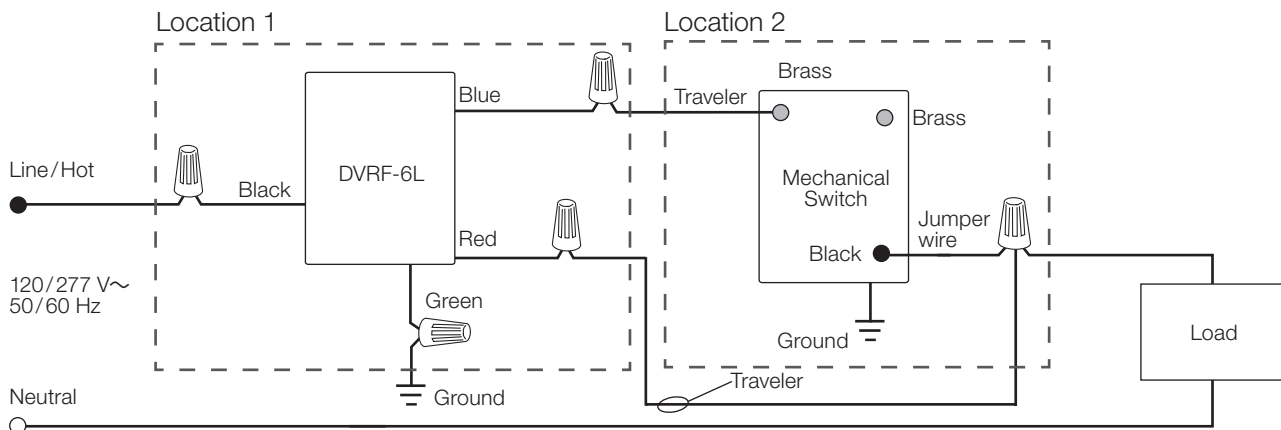
3-Way Installation (load is controlled from 2 locations) (continued)

Option 1: With mechanical switch (continued)

DVRF-6L (Load-side)



DVRF-6L (Line-side)



Job Name:	Model Numbers:	
<input type="text"/>	<input type="text"/>	<input type="text"/>
Job Number:	<input type="text"/>	<input type="text"/>

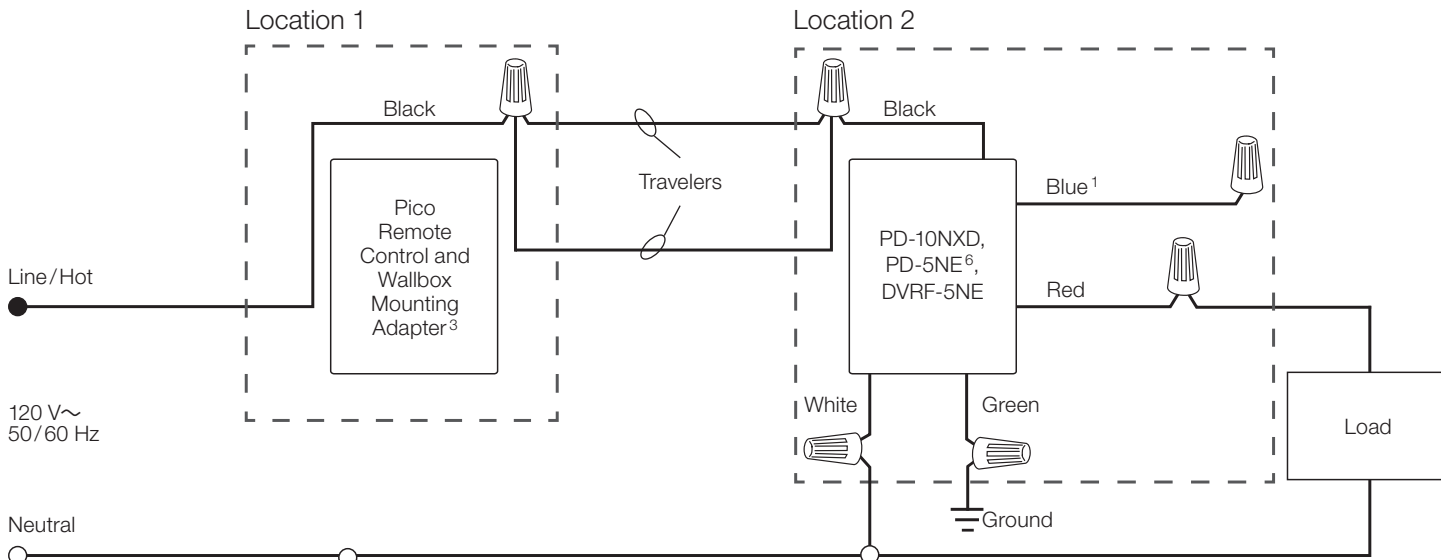
Wiring Diagrams - Dimmers (continued)

3-Way Installation (load is controlled from 2 locations) (continued)

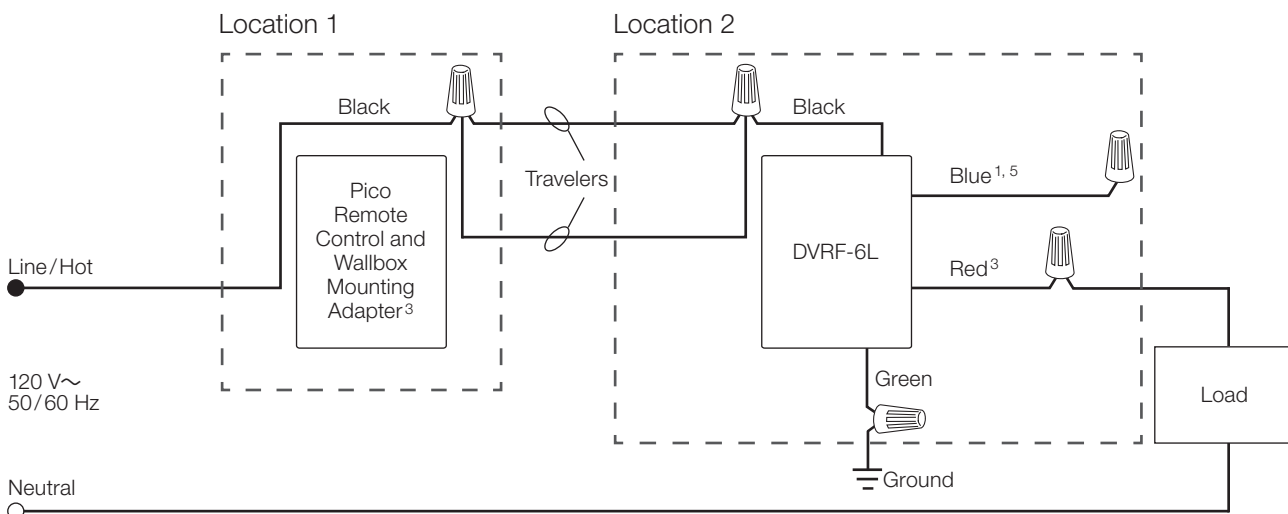
Option 2: With Pico remote controls

PJ2-2B-xx, PJ2-P2B-xx, and wallbox mounting adapters (PICO-WBX-ADAPT)

PD-10NXD, PD-5NE, DVRF-5NE



DVRF-6L



- ¹ When using controls without mechanical 3-way switch, cap the blue terminal. **Do not** connect the blue wire to any other wiring or to ground.
- ² The mechanical switch will need to be removed so the Pico remote control can be installed.
- ³ When using a Pico in a 3-way installation with DVRF-6L, the black and red wires are reversible.
- ⁴ Blue wire is only present on the PD-10NXD, DVRF-5NE, and DVRL-6L models.
- ⁵ Dimmer can be installed on the line side or on the load side of the circuit. Black wire must connect to line and red wire must connect to load.

Job Name:	Model Numbers:	
<input type="text"/>	<input type="text"/>	<input type="text"/>
Job Number:	<input type="text"/>	<input type="text"/>

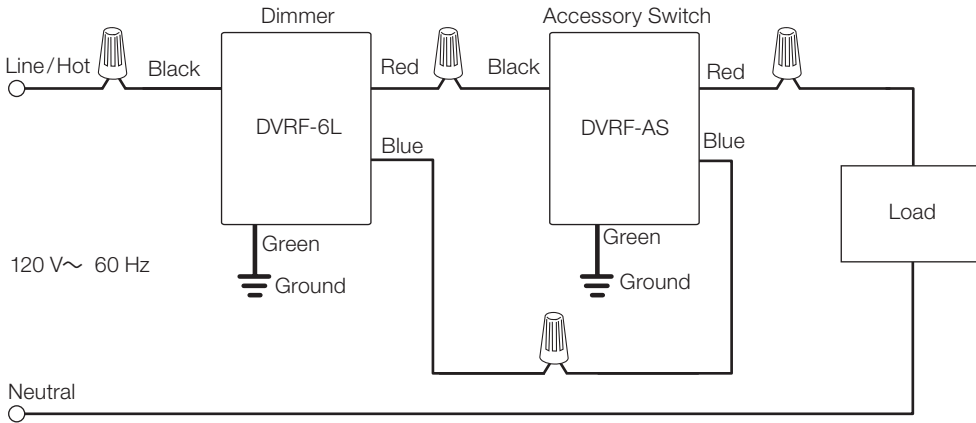
Wiring Diagrams - Dimmers (continued)

3-Way Installation (load is controlled from 2 locations) (continued)

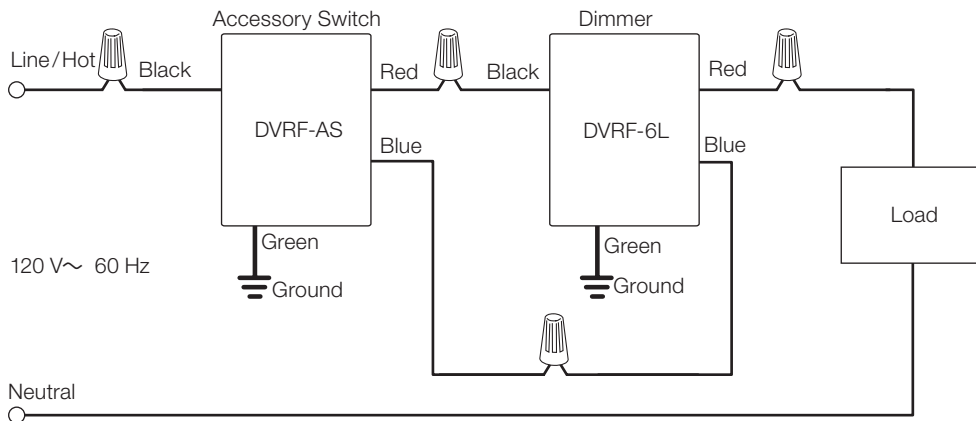
Option 3: With an accessory switch

DVRF-6L and Smart Accessory Switch (DVRF-AS)¹

DVRF-6L (Line Side)



DVRF-6L (Load Side)



¹ When using an accessory switch in a 3-way installation with a dimmer, the black and red wires of both devices are reversible.

Job Name:	Model Numbers:	
<input type="text"/>	<input type="text"/>	<input type="text"/>
Job Number:	<input type="text"/>	<input type="text"/>

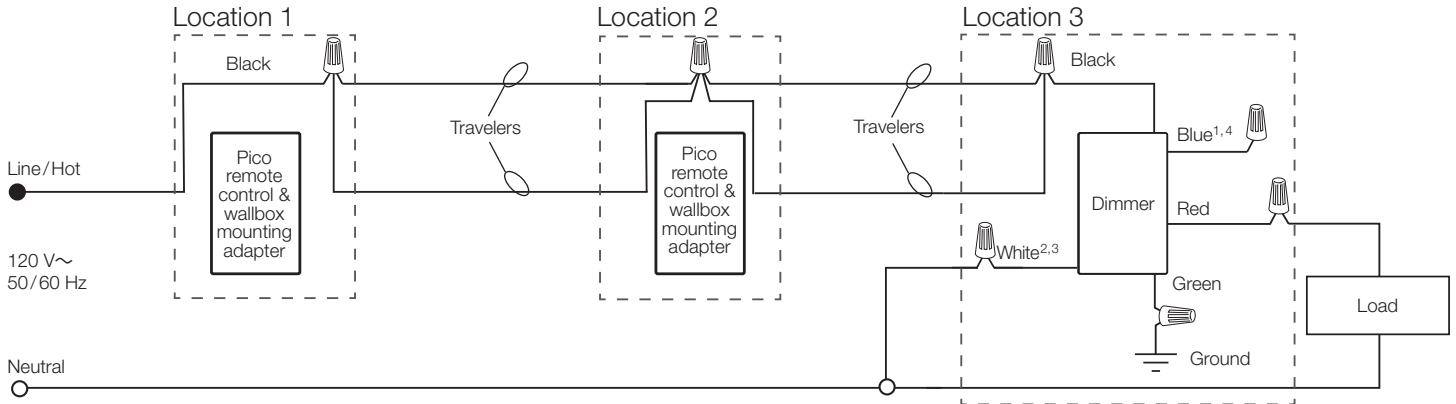
Wiring Diagrams - Dimmers (continued)

Multi-Location Installation (load is controlled from 3 or more locations)

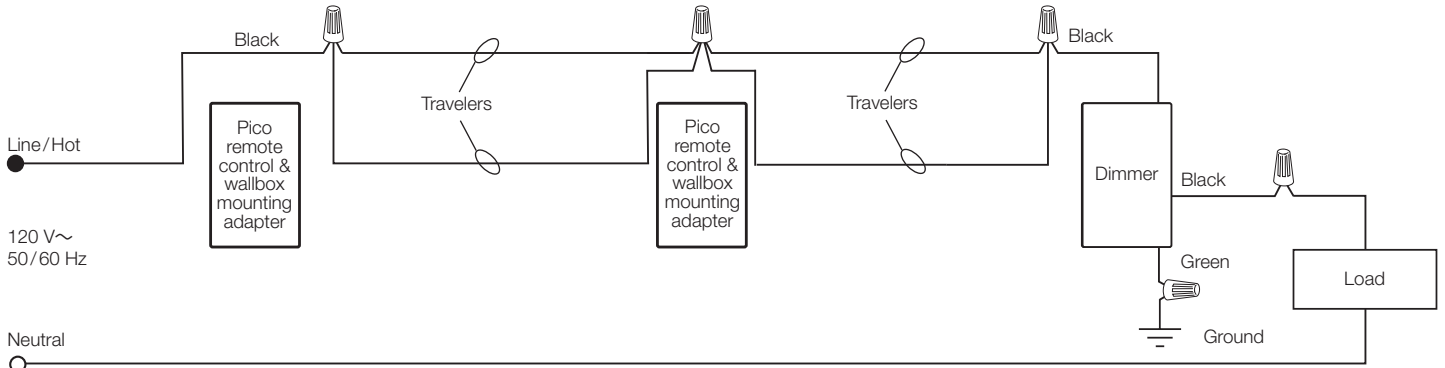
Option 1: With Pico remote controls

PJ2-2B-xx, PJ2-P2B-xx, and wallbox mounting adapters (PICO-WBX-ADAPT)

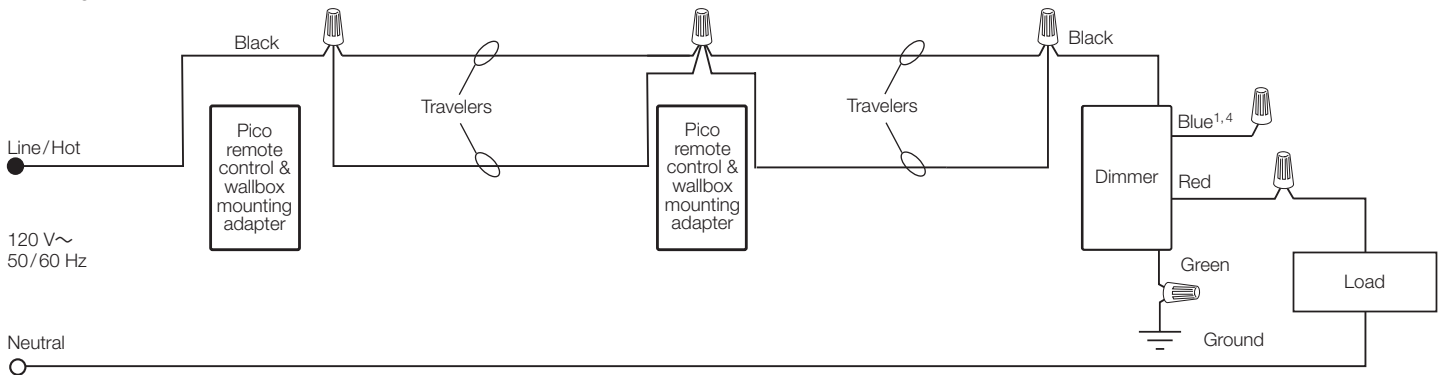
PD-10NXD, PD-5NE, DVRF-5NE



PD-6WCL



DVRF-6L



- ¹ When using controls without mechanical 3-way switch, cap the blue terminal. **Do not** connect the blue wire to any other wiring or to ground.
- ² For PD-10NXD only, neutral connection optional except for MLV loads, LED drivers, and power modules (PHPM-PA, PHPM-3F, and GRX-TVI).
- ³ For PD-5NE and DVRF-5NE, neutral is required.
- ⁴ Blue wire is only present on the PD-10NXD, DVRF-6L, and DVRF-5NE models.

Job Name:	Model Numbers:	
<input type="text"/>	<input type="text"/>	<input type="text"/>
Job Number:	<input type="text"/>	<input type="text"/>

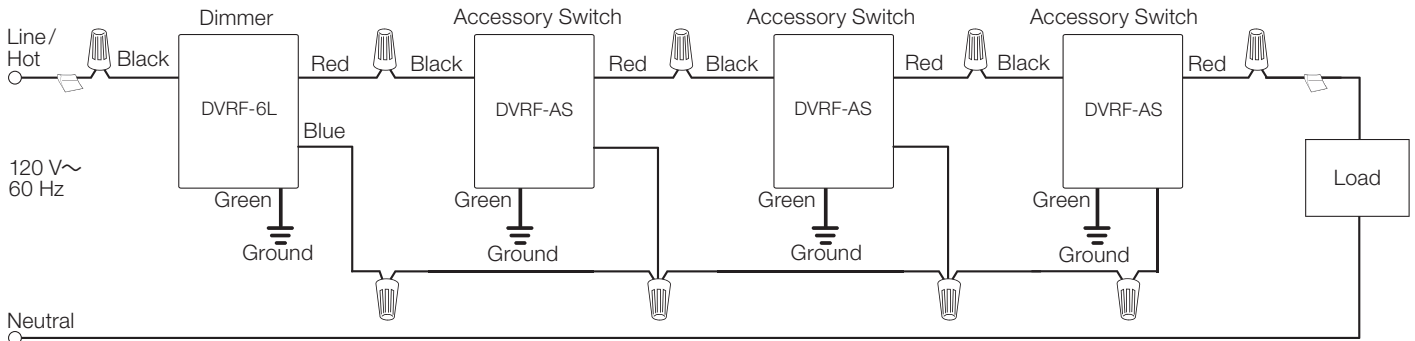
Wiring Diagrams - Dimmers (continued)

Multi-location Installation (load is controlled from 3 or more locations) (continued)

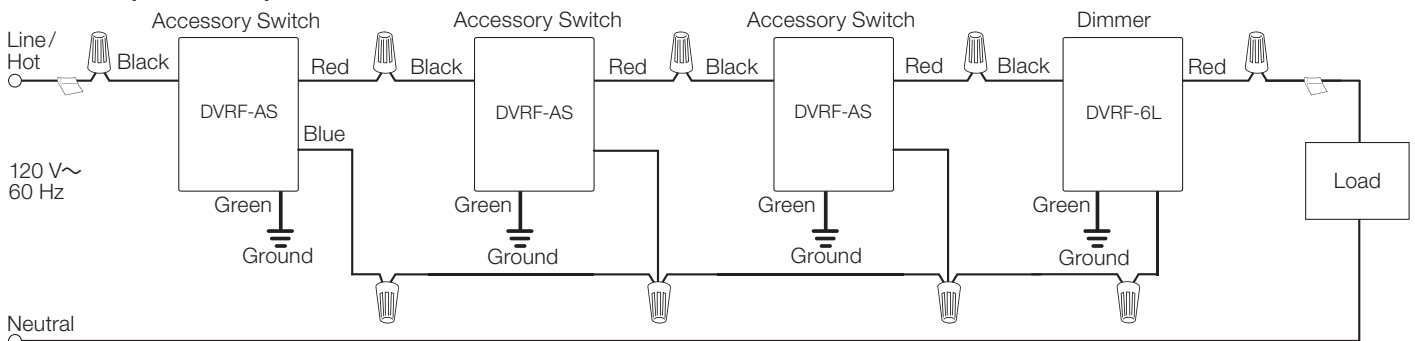
Option 2: With accessory switches

DVRF-6L and Smart Accessory Switches (DVRF-AS)^{1,2,3,4}

DVRF-6L (Line Side)

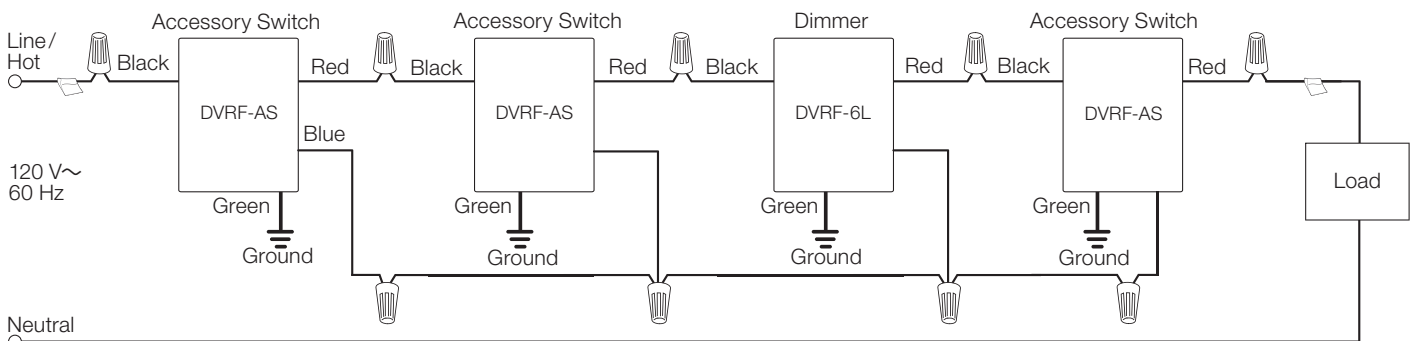


DVRF-6L (Load Side)



DVRF-6L (In the Middle)

Note: Main dimmer can go in any location.



- ¹ Up to ten (10) accessory switches may be connected to the dimmer. Total blue wire connection wire length may be up to 150 ft (45 m).
- ² Dimmer on line side: The black wire of the dimmer must always be connected to Line/Hot. The black and red wires of the accessory switch are reversible.
- ³ Dimmer on load side: The red wire of the dimmer must always be connected to the load. The black and red wires of the accessory switch (DVRF-AS) are reversible.
- ⁴ Dimmer in the middle: If the indicator lights do not illuminate, swap the black and red wires connected to the dimmer.

Job Name: <input style="width: 90%; height: 20px;" type="text"/>	Model Numbers: <input style="width: 95%; height: 20px;" type="text"/>
Job Number: <input style="width: 80%; height: 20px;" type="text"/>	<input style="width: 95%; height: 20px;" type="text"/> <input style="width: 95%; height: 20px;" type="text"/>

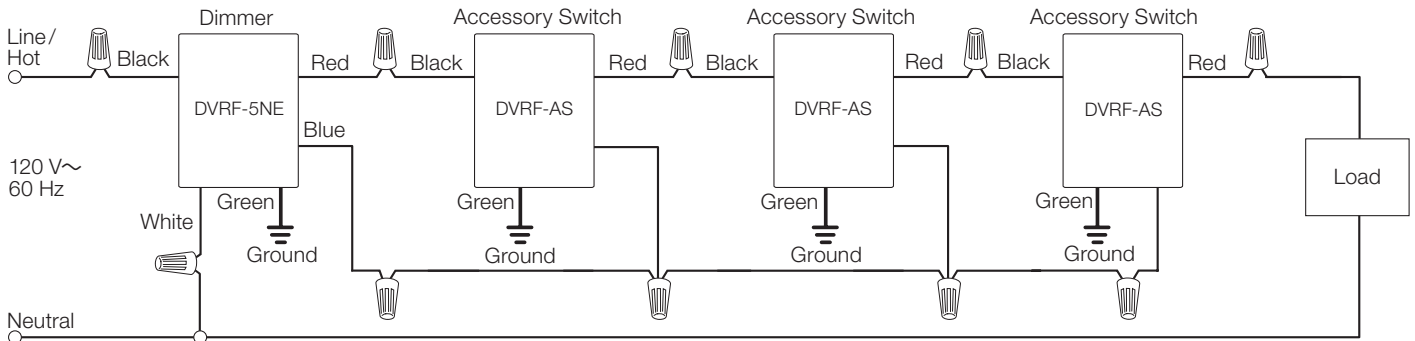
Wiring Diagrams - Dimmers (continued)

Multi-location Installation (load is controlled from 3 or more locations) (continued)

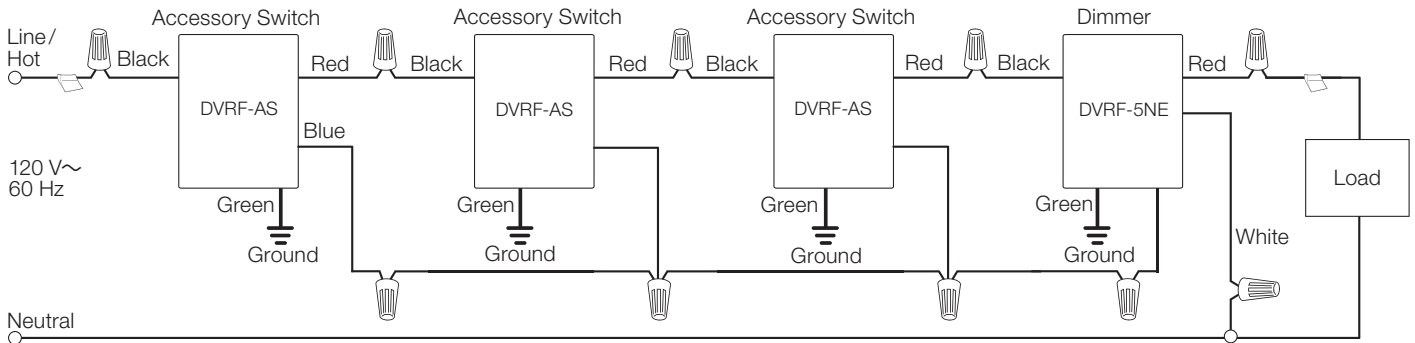
Option 2: With accessory switches

DVRF-5NE and Smart Accessory Switch (DVRF-AS) ^{1,2,3,4}

DVRF-5NE (Line Side)

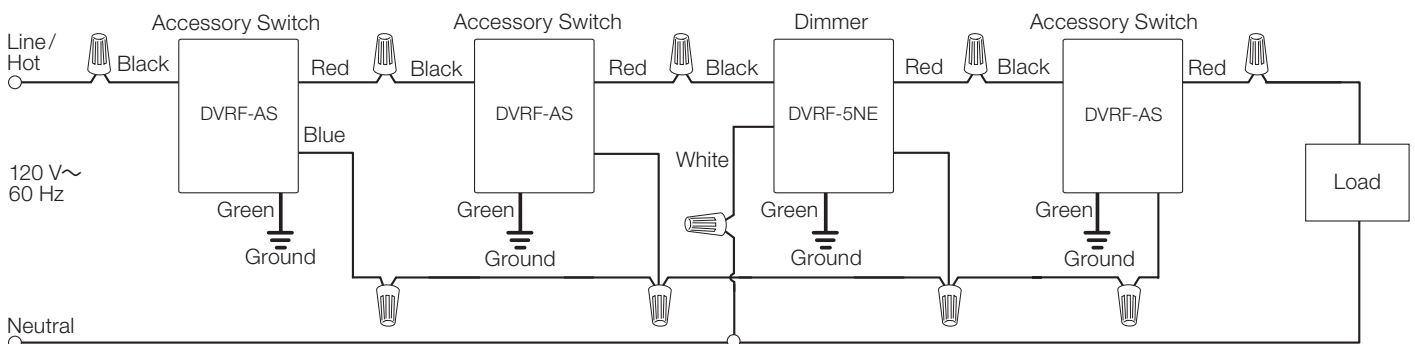


DVRF-5NE (Load Side)



DVRF-5NE (In the Middle)

Note: Main dimmer can go in any location.



- 1 Up to ten (10) accessory switches may be connected to the dimmer. Total blue wire connection wire length may be up to 150 ft (45 m).
- 2 Dimmer on line side: The black wire of the dimmer must always be connected to Line/Hot. The black and red wires of the accessory switch are reversible.
- 3 Dimmer on load side: The red wire of the dimmer must always be connected to the load. The black and red wires of the accessory switch (DVRF-AS) are reversible.
- 4 Dimmer in the middle: If the indicator lights do not illuminate, swap the black and red wires connected to the dimmer.

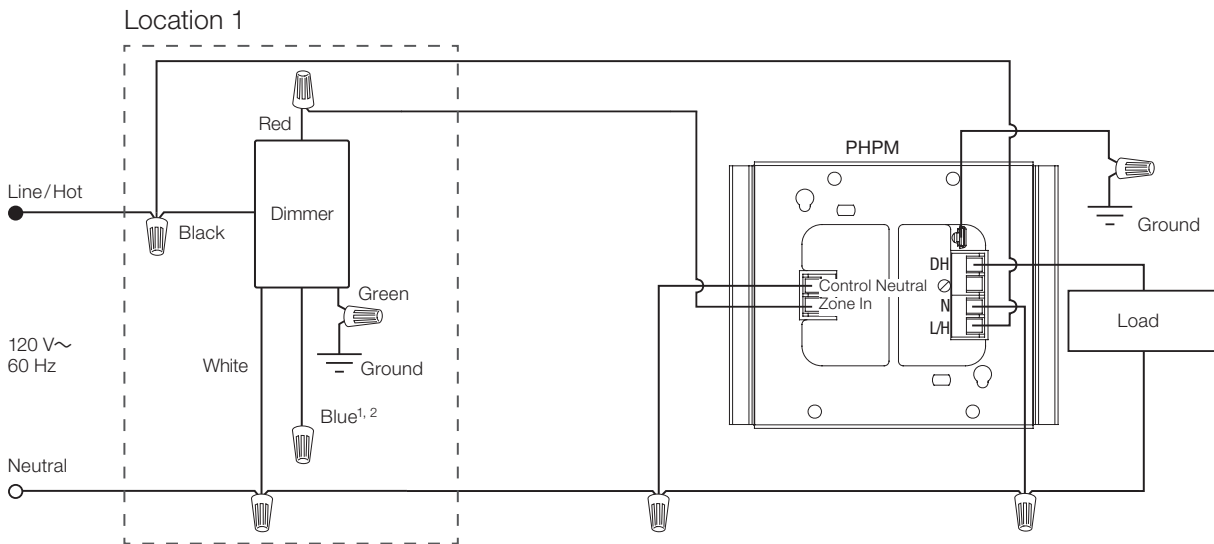
Job Name: <input style="width: 90%; height: 20px;" type="text"/>	Model Numbers: <input style="width: 95%; height: 20px;" type="text"/>
Job Number: <input style="width: 80%; height: 20px;" type="text"/>	<input style="width: 95%; height: 20px;" type="text"/> <input style="width: 95%; height: 20px;" type="text"/>

Wiring Diagrams - Dimmers (continued)

Installation With Power Interfaces and LED Drivers - Neutral Required

Option 1: PHPM¹

PD-10NXD, PD-5NE, DVRF-5NE



¹ See Lutron specification submittal P/Ns 369835 and 369355 for additional wiring diagrams.

² Blue wire is only present on the PD-10NXD and DVRF-5NE models.

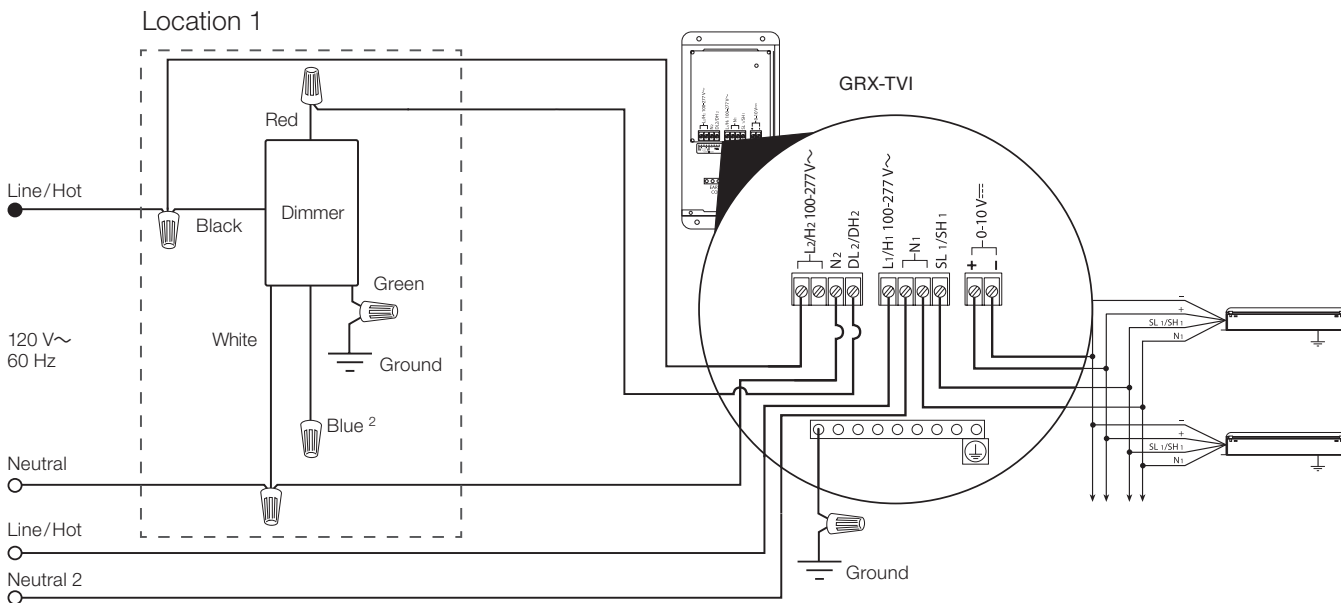
Job Name:	Model Numbers:	
<input type="text"/>	<input type="text"/>	<input type="text"/>
Job Number:	<input type="text"/>	<input type="text"/>

Wiring Diagrams - Dimmers (continued)

Installation With Power Interfaces and LED Drivers - Neutral Required (continued)

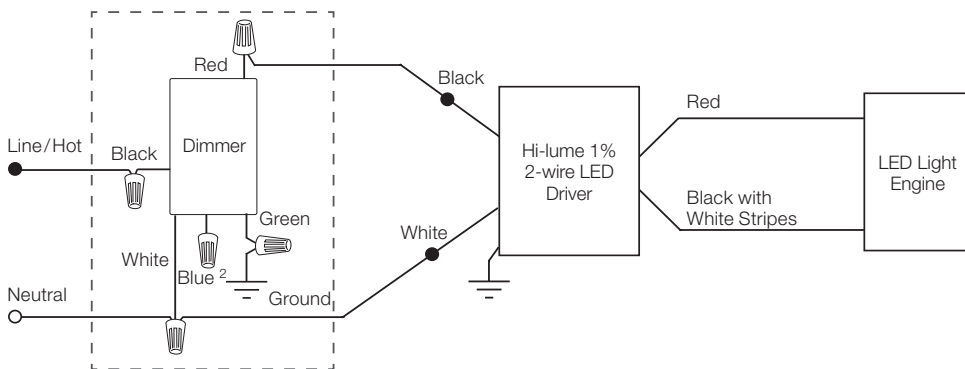
Option 2: GRX-TVI¹

PD-10NXD, PD-5NE, DVRF-5NE



Option 3: Hi-lume 1% 2-wire LED Drivers

PD-10NXD, PD-5NE, DVRF-5NE



Note: For more information on Hi-lume 1% 2-wire LED drivers, see www.lutron.com

¹ See Lutron specification submittal P/N 369247 for additional wiring diagrams.

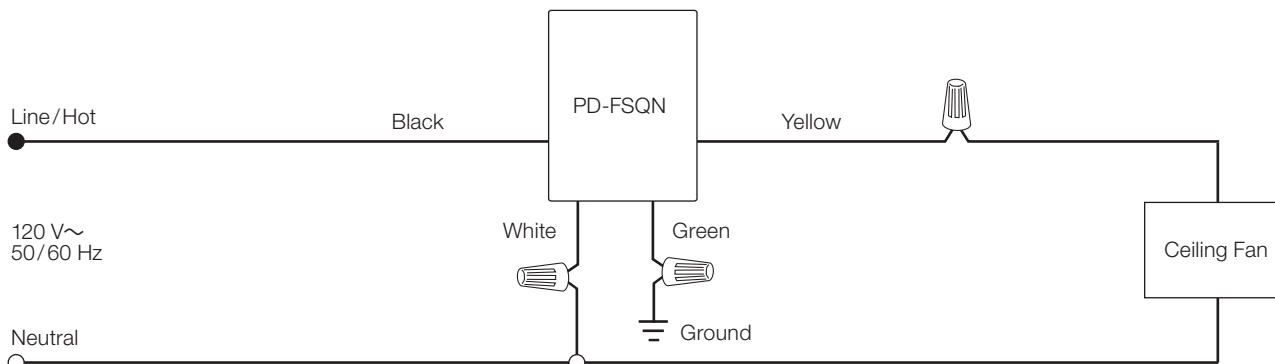
² Blue wire is only present on the PD-10NXD and DVRF-5NE models.

Job Name:	Model Numbers:	
<input type="text"/>	<input type="text"/>	<input type="text"/>
Job Number:	<input type="text"/>	<input type="text"/>

Wiring Diagrams - Fan Controls

Single Pole Installation (load is controlled from 1 location)

PD-FSQN

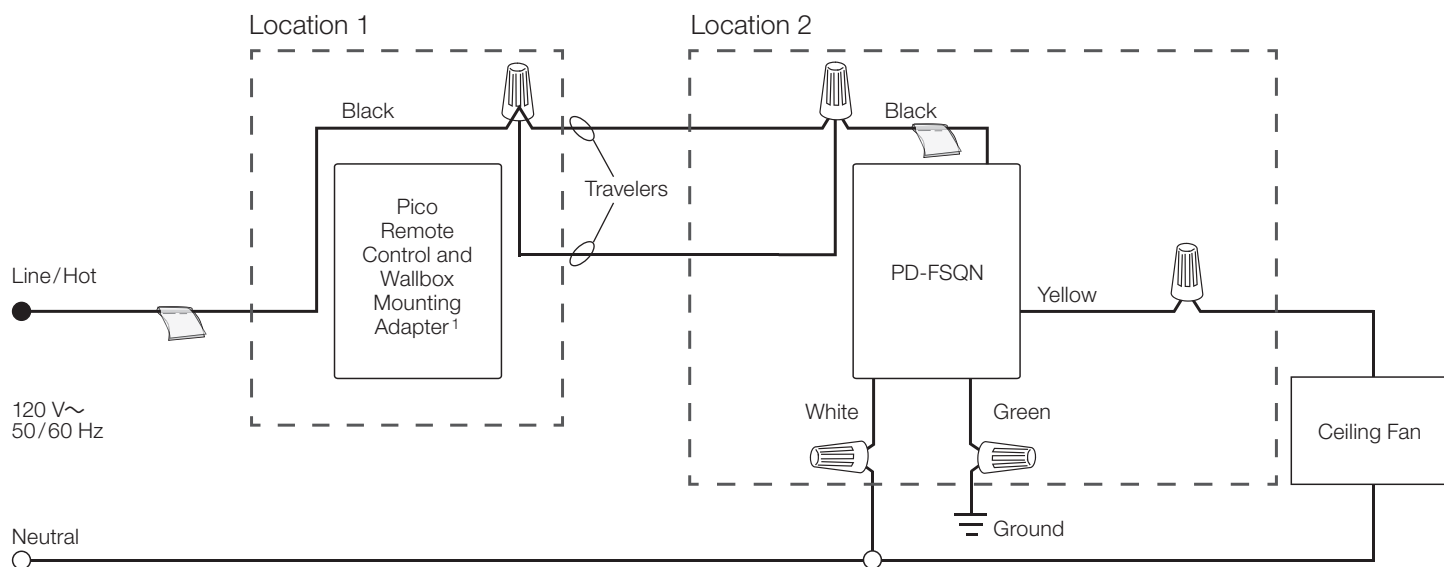


3-Way Installation (load is controlled from 2 locations)

Option 1: With Pico remote controls

PJ2-2B-xx and wallbox mounting adapters (PICO-WBX-ADAPT)

PD-FSQN



¹ The mechanical switch will need to be removed so the Pico remote control can be installed.

Job Name:	Model Numbers:	
<input type="text"/>	<input type="text"/>	<input type="text"/>
Job Number:	<input type="text"/>	<input type="text"/>

Colors and Finishes

Gloss Finishes



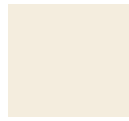
White
WH



Black
BL



Ivory
IV



Light Almond
LA



Gray
GR



Brown
BR

Due to printing limitations, colors and finishes shown cannot be guaranteed to perfectly match actual product colors.

Note: PD- models of Caséta dimmers are only available in WH, BL, IV, and LA.
DVRF- models are available in all six colors.

The Lutron logo, Lutron, Caséta, Diva, Pico, Clear Connect, Claro, Hi-lume, FASS, Radio Powr Savr, and Tu-Wire are trademarks or registered trademarks of Lutron Electronics Co., Inc. in the US and/or other countries.

Apple is a trademark of Apple Inc. registered in the U.S. and other countries. App Store is a service mark of Apple Inc.

Google Play and Android are trademarks of Google Inc.

All product names, logos, and brands are property of their respective owners.

Job Name: <input type="text"/>	Model Numbers: <input type="text"/>	
Job Number: <input type="text"/>	<input type="text"/>	<input type="text"/>