

# Caséta Wireless Outdoor Smart Plug

The Caséta Wireless Outdoor Smart Plug controls outdoor loads, both directly and remotely when paired with either Pico remote controls or a Lutron Caséta Smart Bridge, providing a system that delivers convenience and ease of installation.

The Caséta Wireless Outdoor Smart Plug is built to withstand severe weather, season after season. A solid core construction protects the internal electronics.

The Caséta Wireless Outdoor Smart Plug uses Lutron patented Clear Connect Type A RF Technology which enables wireless communication with Pico remote controls, Caséta motion sensors, and the Lutron Smart Bridge and Smart Bridge PRO.

It is ideal for smart control of landscape and string lighting, holiday lights and inflatables, and some motors and pumps.

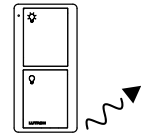
### Features

- The Caséta Wireless Outdoor Smart Plug provides control of multiple load types and, when paired with Pico remote controls, allows remote control from anywhere in the space.
- When used with the Lutron Smart Bridge or Smart Bridge PRO, the Caséta Wireless Outdoor Smart Plug may be programmed via the Lutron app, incorporated into lighting scenes, scheduled for daily events, and controlled from anywhere in the world<sup>1</sup>.
- The Caséta Wireless Outdoor Smart Plug can be automatically turned on/off, when paired to a Caséta motion sensor.
- Lutron patented Clear Connect Type A RF Technology works through walls and floors.
- Works with 120 V~ outdoor lighting, motors and pumps, and outdoor lighting low-voltage transformers. See **Load Types and Ratings** for more details.
- The unit has been designed to withstand all weather conditions. The internal electronics are fully encapsulated to keep water, humidity, dust, and dirt from ever reaching or degrading the product electronics.

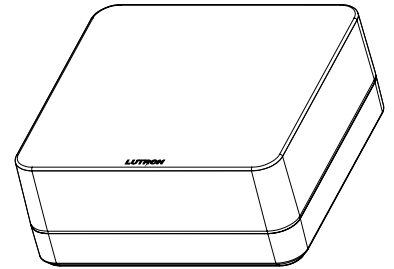
Caséta Wireless Outdoor Smart Plug



Pico Remote Control (sold separately)



Lutron Smart Bridge and Smart Bridge PRO (sold separately)



### Load Types and Ratings

- Up to 15 A lighting loads
- Up to 1/2 HP motor and pump loads
- Up to 1200 VA (8 A) lighting transformer / magnetic ballast loads.

<sup>1</sup> The Lutron app is required for setup and use with the Smart Bridge and Smart Bridge PRO. The Lutron app is compatible with iOS® devices version 6.0 or later and Android™ devices 4.0 or later.

Job Name: <input type="text"/>	Model Numbers: <input type="text"/>	
Job Number: <input type="text"/>	<input type="text"/>	<input type="text"/>

## Specifications

### Regulatory Approvals

- cULus Listed
- FCC approved. Complies with the limits for a Class B digital device, pursuant to Part 15 of the FCC Rules
- Industry Canada certified
- IFTEL certified
- IP65 certified rating

### Power

- Operating voltage: 120 V~ 50/60 Hz
- Operating current (with no load connected): 6.8 mA @ 120 V~

### Key Design Features

- Tested to be certified to an Ingress Protection rating of IP65 for dirt, dust, moisture, rain, sprinklers, hoses, and snow.
- The Outdoor Smart Plug always operates locally and does not require system control.
- Power failure memory: should power be interrupted, the Outdoor Smart Plug will return to its previously set On or Off state prior to the interruption when power is restored.
- Multi-color indicator LED with status and error reporting.

### System Communications and Capacity

- The Caséta Wireless Outdoor Smart Plug communicates with Pico remote controls, Caséta motion sensors, and Lutron Smart Bridge or Smart Bridge PRO through radio frequency (RF).
- The Caséta Wireless Outdoor Smart Plug minimum operating distance is 60 ft (18 m) line-of-sight or 30 ft (9 m) through walls when using Pico remote controls, Caséta motion sensors, Lutron Smart Bridge, Lutron Smart Bridge PRO, or Caséta Wireless repeater.

### Device Limits

- Up to 10 Pico remote controls and 10 Caséta motion sensors may be paired to each Caséta Wireless Outdoor Smart Plug (with no Smart Bridge installed).

- Smart Bridge or Smart Bridge PRO system: up to 75 total wireless devices (Caséta Wireless dimmers/ switches, Pico remote controls, Caséta motion sensors, outdoor smart plugs) are supported per system. Smart Bridge or Smart Bridge PRO counts as one device. The Caséta Wireless repeater counts as one device.

### Environment

- Ambient operating temperature: -4 °F to 122 °F (-20 °C to 50 °C), 0% to 100% humidity.
- Intended for outdoor use in all weather conditions. See Installation Guide for how to properly install. Must be used with a GFCI protected outlet.

### Operation with a Pico Remote Control

Button	Response
On	Unit will turn the load on
Off	Unit will turn the load off
Raise	Unit does not respond
Lower	Unit does not respond
Preset	Unit will go the on or off state that was set with the preset button

**Note:** Caséta Wireless systems have 2 button and 5 button Pico remote controls and this table covers the operation for both variants.

**⚠ WARNING – Entrapment hazard –** May result in serious injury or death. These controls should only be used to control equipment which is visible from every control location.

**⚠ WARNING – Fire hazard –** May result in serious injury or death. Only use these controls to operate approved load and equipment types.

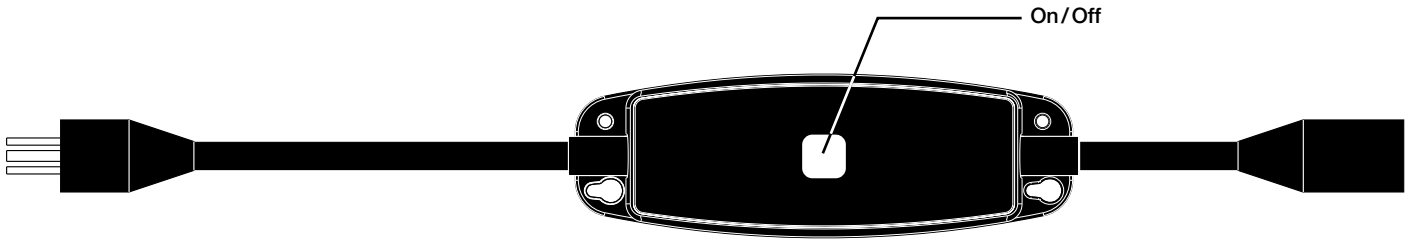
### IMPORTANT NOTE:

Examples of such equipment which must not be operated by these controls include (but are not limited to) motorized gates, garage doors, industrial doors, microwave ovens, heating pads, fireplaces, space heaters, etc. It is the installer’s responsibility to ensure that the equipment being controlled is visible from every control location and that only suitable equipment is connected to these controls. Failure to do so could result in serious injury or death.

Job Name: <input style="width: 90%;" type="text"/>	Model Numbers: <input style="width: 95%;" type="text"/>
Job Number: <input style="width: 80%;" type="text"/>	<input style="width: 95%;" type="text"/>

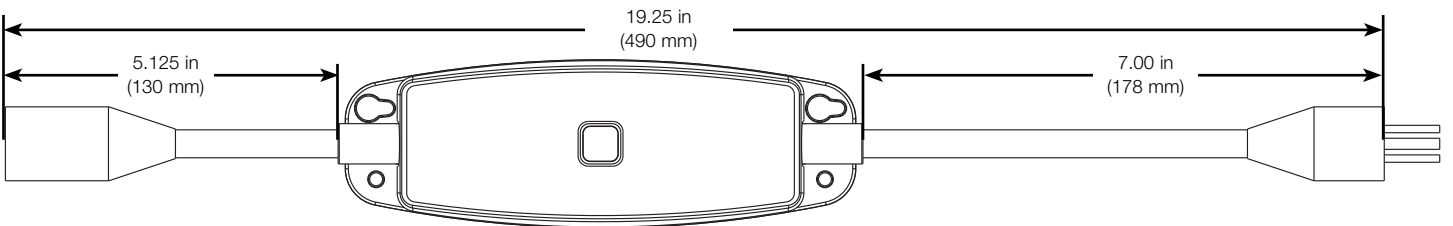
# Operation

Outdoor Smart Plug

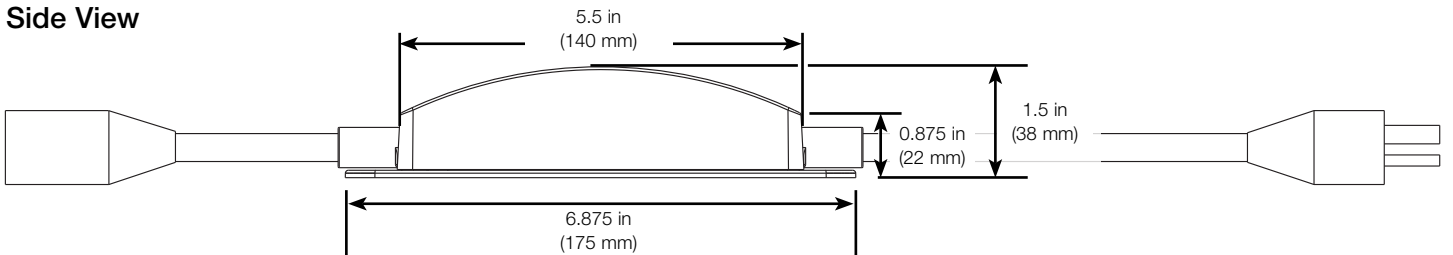


# Dimensions

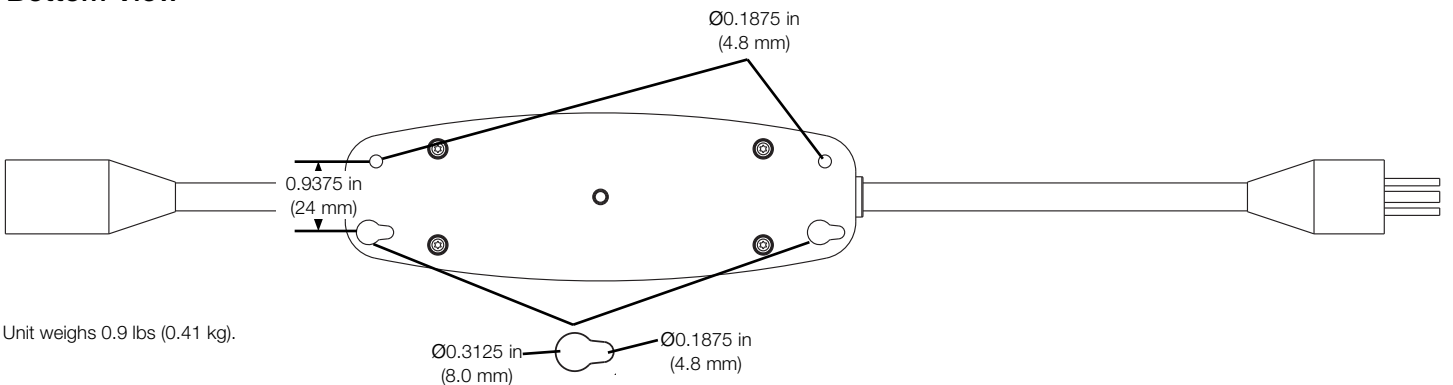
## Top View



## Side View



## Bottom View



\* Unit weighs 0.9 lbs (0.41 kg).

Lutron, Lutron, Caséta, Pico, Smart Bridge and Clear Connect are trademarks or registered trademarks of Lutron Electronics Co., Inc. in the US and/or other countries.

iOS is a registered trademark of Cisco in the U.S. and other countries and is used under license.

All product names, logos, and brands are property of their respective owners.

Job Name:	Model Numbers:	
<input type="text"/>	<input type="text"/>	<input type="text"/>
Job Number:	<input type="text"/>	<input type="text"/>