

Pico Remote Control for Audio

The Pico remote control for audio is a simple keypad for direct control of audio from anywhere in the home. This battery-operated control requires no external power or communication wiring.

Features

- Compatible systems include: ¹
 - Caséta Wireless
 - RadioRA 2
 - HomeWorks QS
- Works with Sonos and other select audio control systems. Visit lutron.com/AudioPico for more information
- Easy reconfiguration for use as:
 - Handheld remote
 - Wall-mount control (with or without faceplate; faceplate adapter kit sold separately)
 - A table top control (table top pedestal sold separately)
- Battery-powered. Requires no wiring.
- 10-year battery life (one CR2032 battery included).
- Can be assigned to a Lutron Smart Bridge, Lutron Smart Bridge PRO, or a Lutron Repeater that is within a range of 30 ft (9 m).



Pico Remote Control for Audio

¹ Compatible systems require a Lutron Smart Bridge, Lutron Smart Bridge PRO, or a Lutron Connect Bridge. Setup the Pico remote control using the Lutron App for Caséta Wireless or the Lutron Connect App for RadioRA 2 and HomeWorks QS.

Job Name:	Model Numbers:
Job Number:	

Specifications

Regulatory Approvals

- Lutron Quality Systems registered to ISO 9001:2008.
- FCC Certified (U.S.A.)
- IC Certified (Canada)
- COFETEL Certified (Mexico)
- SUTEL Certified (Costa Rica)
- Anatel Certified (Brazil)

Power

- Operating Voltage 3 V_{DC}
- (1) CR2032 Battery (included)

System Communication and Capacity

- Communicates using Radio Frequency (RF) at 431 MHz to 437 MHz.
- Thousands of system addresses prevent interference between systems.
- Can be assigned to a Lutron Smart Bridge or a Lutron Repeater that is within a 30 ft (9 m) range.

Mounting Considerations

- Mounting of any RF devices on, or in close proximity to, a metal surface will drastically reduce the effective range of radio signal transmission and reception.
- All RF devices must be mounted on non-conductive materials to ensure proper performance.
- If you wish to mount your Pico remote control to a metal surface, the PICO-MOUNT-1-XX-CPN5733 will be required in order to maintain proper RF performance. For availability, please contact your local Lutron® sales office.

Environment

- Ambient operating temperature: 32 °F to 140 °F (0 °C to 60 °C)
- Maximum 90% non-condensing relative humidity
- Indoor use only

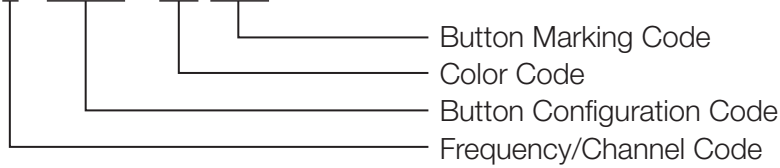
Warranty

- 1 Year Limited Warranty
For additional Warranty information, please visit www.lutron.com/TechnicalDocumentLibrary/369-119_Wallbox_Warranty.pdf

<p>Job Name:</p> <p>Job Number:</p>	<p>Model Numbers:</p>
--	-----------------------

Model Number

PJ2-XXXX-GXX-XXX



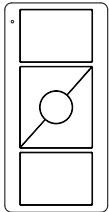
Frequency/Channel Codes:

Code

J — 431.0 - 437.0 MHz

Button Configuration Codes:

<u>Button Configuration</u>	<u>Code</u>
3 Button with Raise/Lower	3BRL



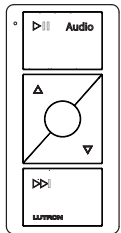
3 Button with Raise/Lower (3BRL)

Color Codes:

<u>Gloss Color</u>	<u>Code</u>
White	WH
Black	BL

Button Marking Codes:

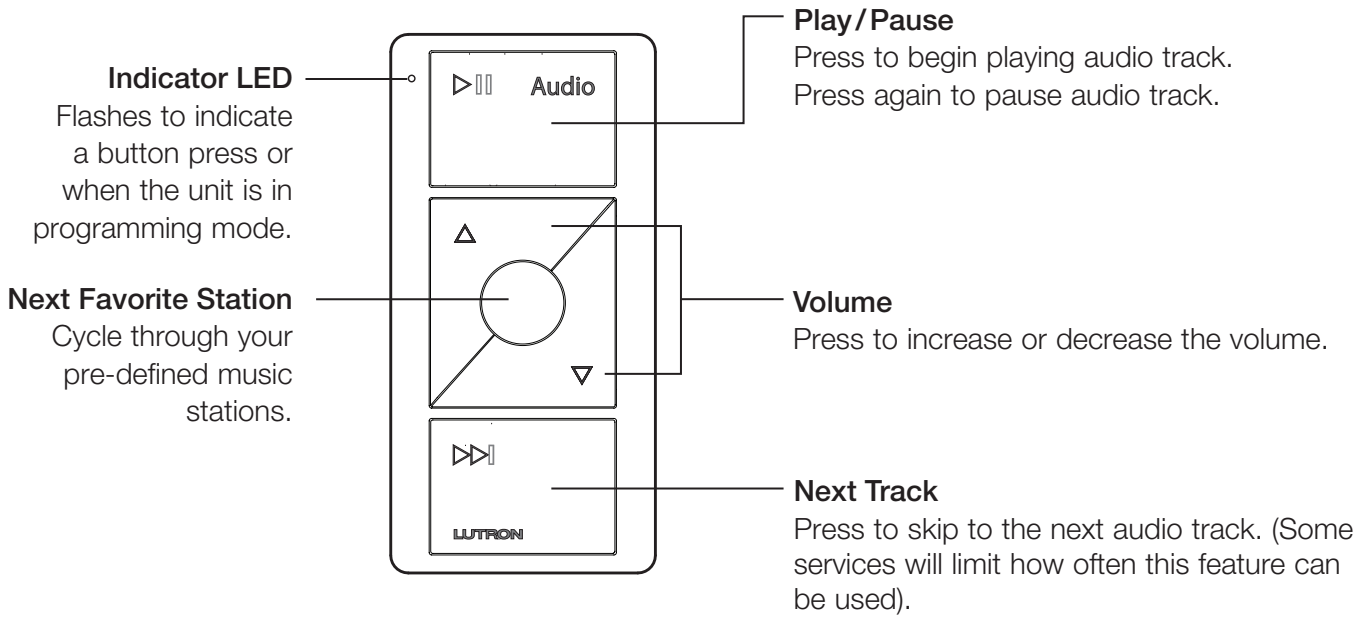
3 Button with Raise/Lower



Audio (A02)

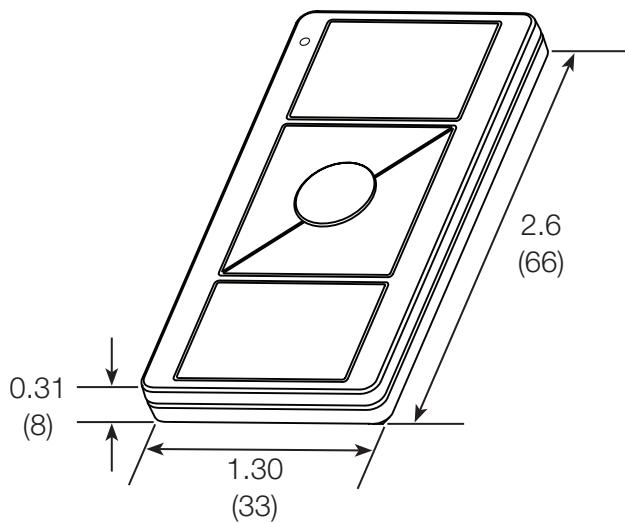
Job Name:	Model Numbers:
Job Number:	

Operation



Dimensions

Measurements shown as: in (mm)

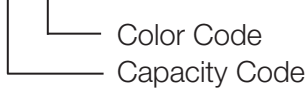


Job Name:	Model Numbers:
Job Number:	

Pico Pedestal Model Number

Pedestals sold separately. Available in gloss finish only.

L-PEDX-XX



Capacity Codes:

Capacity	Code
Single	1
Double	2
Triple	3
Quadruple	4

Color Codes:

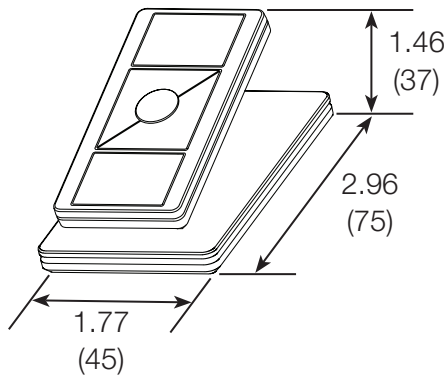
Gloss Color	Code
White	WH
Black	BL

Dimensions

Measurements shown as: in (mm)

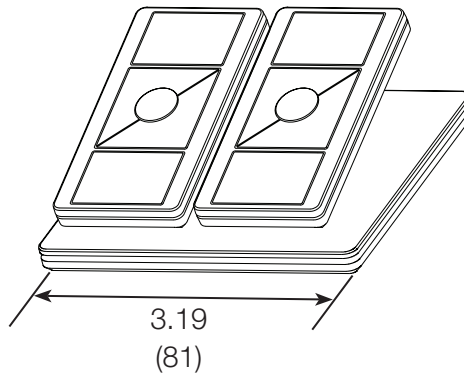
Single Pedestal

Pedestals sold separately.



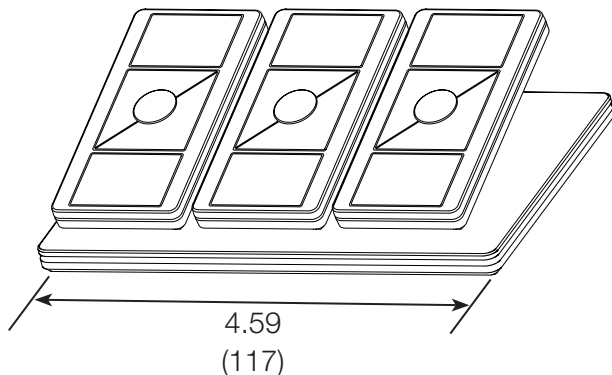
Double Pedestal

Pedestals sold separately.



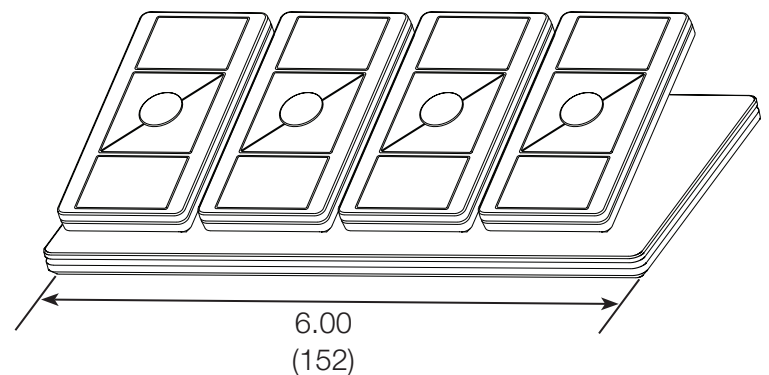
Triple Pedestal

Pedestals sold separately.



Quadruple Pedestal

Pedestals sold separately.

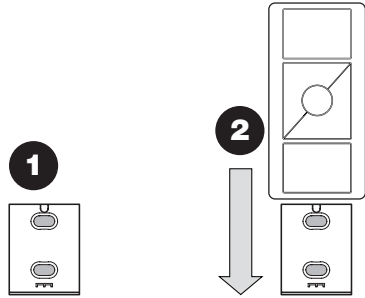


Job Name:	Model Numbers:
Job Number:	

Mounting Options

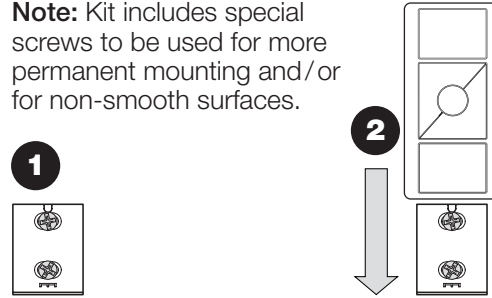
Stand Alone Mounting

Adhesive-Mount
(included with Pico remote control)



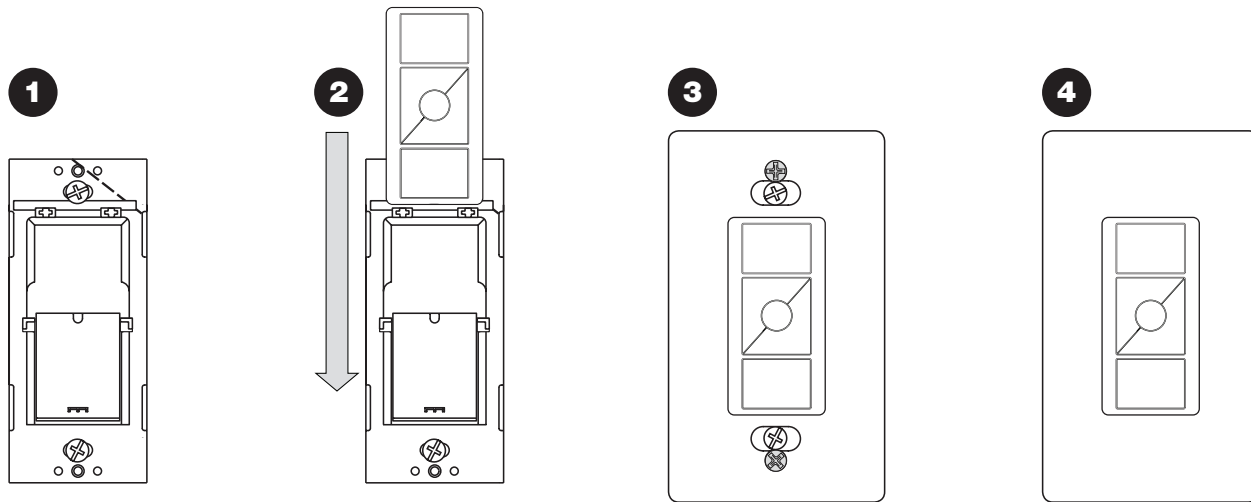
Screw-Mount (sold separately)
Model PICO-SM-KIT

Note: Kit includes special screws to be used for more permanent mounting and/or for non-smooth surfaces.



Wallbox Adapter

Model PICO-WBX-ADAPT
(sold separately)



*Wallplate adapter / wallplate sold separately

Continued on next page...

Job Name:	Model Numbers:
Job Number:	

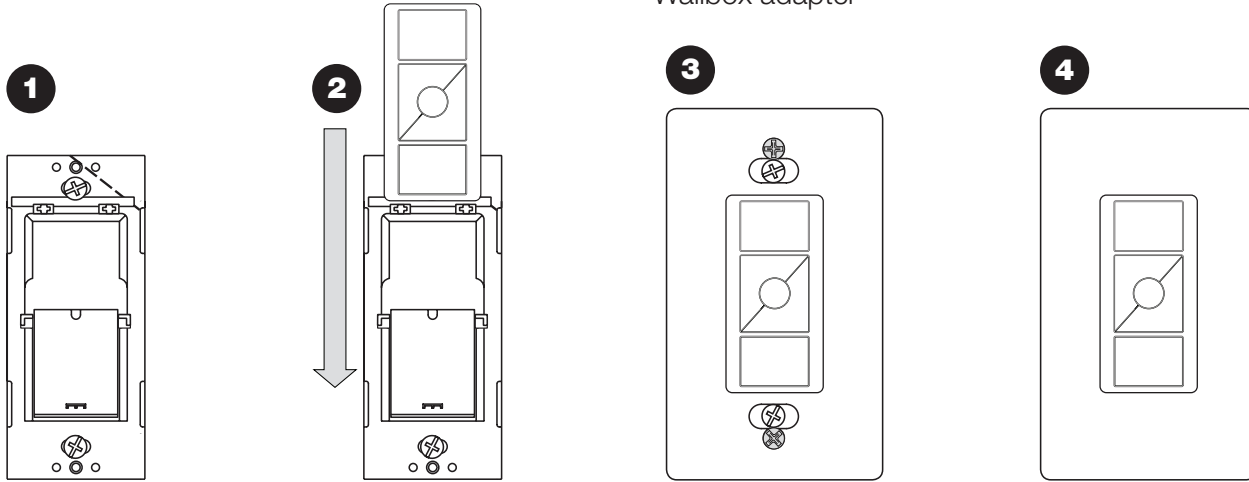
Mounting Options *(continued)*

Wall-Mounting Kit

Model PJ2-WALL-WH-L01R
(sold separately)

Kit includes:

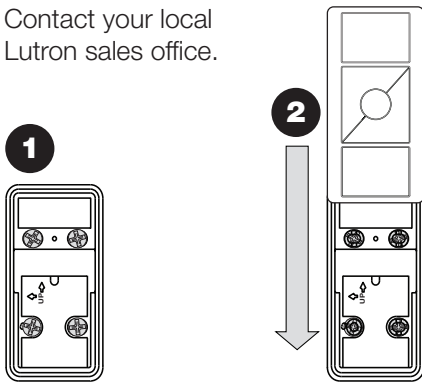
- Pico remote control
- Claro wallplate (with wallplate adapter)
- Wallbox adapter



Mounting to Metal Surfaces

Model: PICO-MOUNT-1-XX-CPN5733 (sold separately)

Contact your local
Lutron sales office.



Lutron, Lutron, Caséta, Claro, HomeWorks, Pico and RadioRA are trademarks of Lutron Electronics Co., Inc., registered in the U.S. and other countries.

Lutron Connect and Smart Bridge are trademarks of Lutron Electronics Co., Inc.

Sonos is a registered trademark of Sonos, Inc. in the United States, Canada, United Kingdom, Benelux (Belgium, Luxembourg and The Netherlands), Japan, Mexico, Germany, Russia, Australia, Italy, Norway and Sweden, and a trademark of Sonos, Inc. in other countries.

LUTRON SPECIFICATION SUBMITTAL

Page:

Job Name:	Model Numbers:
Job Number:	