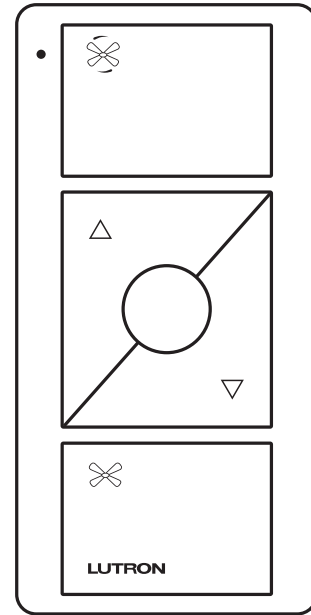


Pico Wireless Control for Fans

The Pico wireless control for fans is a simple keypad for direct control of fans from anywhere in the home. This battery-operated control requires no external power or communication wiring.

Features

- Compatible systems include:¹
 - Caséta Wireless
 - RA2 Select
- Easy reconfiguration for use as:
 - Handheld remote
 - Wall-mount control (with or without wallplate; wallplate adapter kit sold separately)
 - A table top control (table top pedestal sold separately)
- Battery-powered. Requires no wiring.
- 10-year battery life (one CR2032 battery included)².
- Can be assigned to a Lutron Smart Bridge, Lutron Smart Bridge PRO, or a Lutron Repeater that is within a range of 30 ft (9 m) through walls and 60 ft (18 m) line-of-sight.



Pico Wireless Control for Fans

¹ Compatible systems require a Caseta Smart Bridge, or a RA2 Select Main Repeater. Setup of the Pico wireless control is accomplished using the Lutron App.

² Based on a 1 year shelf life, an average of 10 button presses per day, and an ambient temperature of 86 °F (30 °C). Actual life may vary based on usage and environmental conditions.

Job Name: <input style="width: 90%;" type="text"/>	Model Numbers: <input style="width: 60%;" type="text"/> <input style="width: 35%;" type="text"/>	
Job Number: <input style="width: 150px;" type="text"/>	<input style="width: 300px;" type="text"/>	<input style="width: 200px;" type="text"/>

Specifications

Regulatory Approvals

- Lutron Quality Systems registered to ISO 9001:2008.
- FCC Certified (U.S.A.)
- IC Certified (Canada)
- COFETEL Certified (Mexico)
- SUTEL Certified (Costa Rica)
- Anatel Certified (Brazil)

Power

- Operating Voltage 3 V_{DC}
- (1) CR2032 Battery (included)

System Communication and Capacity

- Communicates using Radio Frequency (RF) at 431 MHz to 437 MHz.
- Thousands of system addresses prevent interference between systems.
- Can be assigned to a Lutron Fan Control, Lutron Smart Bridge, or a Lutron Repeater that is within a 30 ft (9 m) range.

Mounting Considerations

- Mounting of any RF devices on, or in close proximity to, a metal surface will drastically reduce the effective range of radio signal transmission and reception.
- All RF devices must be mounted on non-conductive materials to ensure proper performance.
- If you wish to mount your Pico remote control to a metal surface, the PICO-MOUNT-1-XX-CPN5733 will be required in order to maintain proper RF performance. For availability, please contact your local Lutron sales office.

Environment

- Ambient operating temperature: 32 °F to 140 °F (0 °C to 60 °C)
- Maximum 90% non-condensing relative humidity
- Indoor use only

Warranty

- 1 Year Limited Warranty

For additional Warranty information, please visit www.lutron.com/TechnicalDocumentLibrary/369-119_Wallbox_Warranty.pdf

Job Name: <input type="text"/> Job Number: <input type="text"/>	Model Numbers: <input type="text"/> <input type="text"/>
---	---

Pico Wireless Control Model Number

For order quantities of 96 pieces or greater of the same model number, bulk packaging may be available. Mounting hardware is not available with bulk packaging. Contact your local Lutron sales office.

PJ2 – 3BRL – XXX – F01

Frequency/Channel Code*

Code	Frequency Range
J	431.0 – 437.0 MHz

Button Marking Code

* For questions about frequency/channel code compatibility, contact your local Lutron sales office or visit us at www.lutron.com

Button Configuration Codes

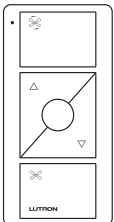
Code	Button Configuration
3BRL	3 Button with Raise/Lower

Color/Finish Codes

Color	Finish	
	Gloss	Texture (Satin Colors)
White	GWH	TSW
Black	GBL	TMN
Ivory	GIV	–
Light Almond	GLA	–
Biscuit	–	TBI

Button Marking Codes:

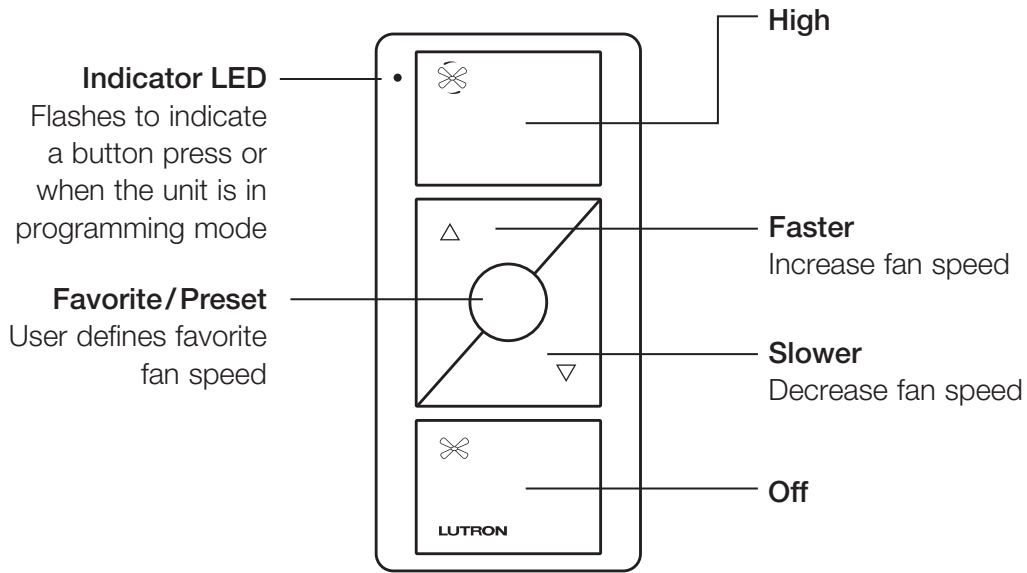
3 Button with Raise/Lower



Fan (F01)

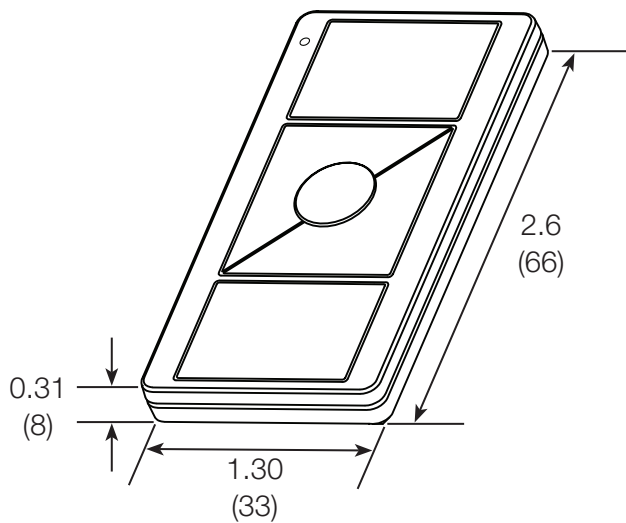
Job Name: <input style="width: 90%; height: 20px;" type="text"/>	Model Numbers: <input style="width: 95%; height: 20px;" type="text"/>
Job Number: <input style="width: 150px; height: 20px;" type="text"/>	<input style="width: 95%; height: 20px;" type="text"/>

Operation



Dimensions

Measurements shown as: in (mm)

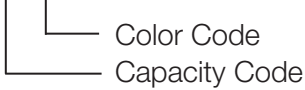


Job Name: <input type="text"/>	Model Numbers: <input type="text"/>	<input type="text"/>
Job Number: <input type="text"/>	<input type="text"/>	<input type="text"/>

Pico Pedestal Model Number

Pedestals sold separately. Available in gloss finish only.

L-PEDX-XX



Capacity Codes:

Capacity	Code
Single	1
Double	2
Triple	3
Quadruple	4

Color Codes:

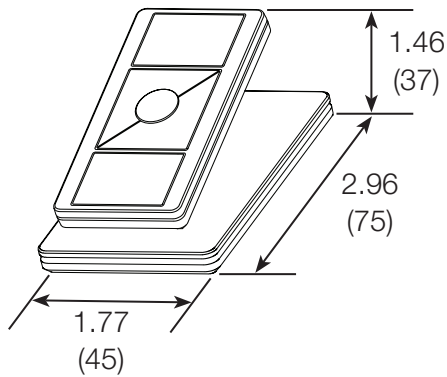
Gloss Color	Code
White	WH
Black	BL

Dimensions

Measurements shown as: in (mm)

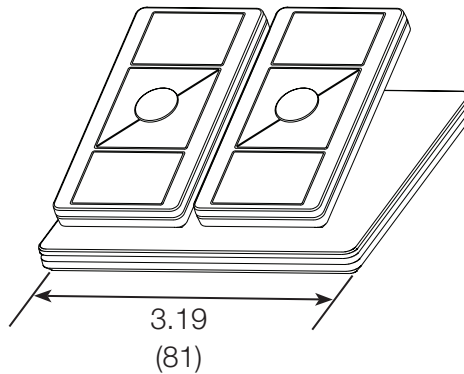
Single Pedestal

Pedestals sold separately.



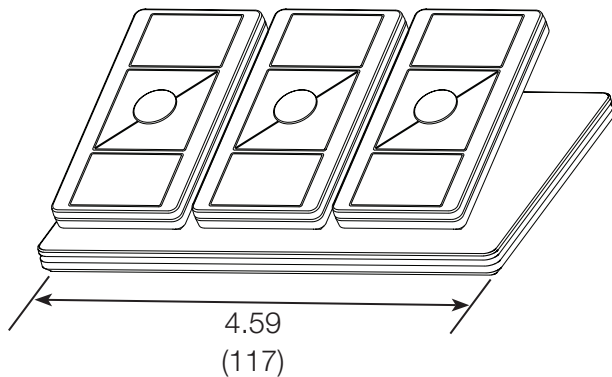
Double Pedestal

Pedestals sold separately.



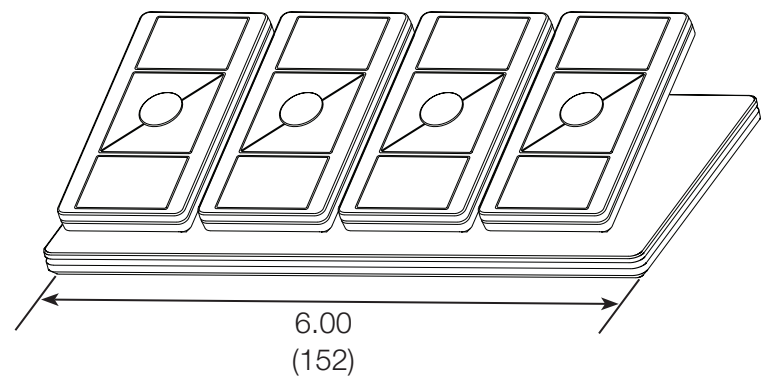
Triple Pedestal

Pedestals sold separately.



Quadruple Pedestal

Pedestals sold separately.

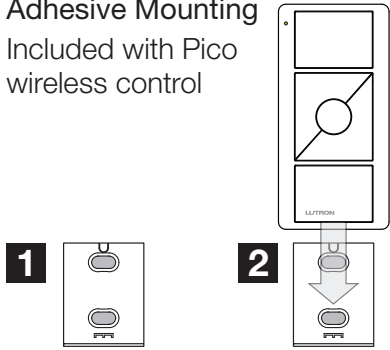


Job Name: <input style="width: 90%; height: 20px;" type="text"/>	Model Numbers: <input style="width: 95%; height: 20px;" type="text"/>
Job Number: <input style="width: 150px; height: 20px;" type="text"/>	<input style="width: 95%; height: 20px;" type="text"/>

Mounting Options

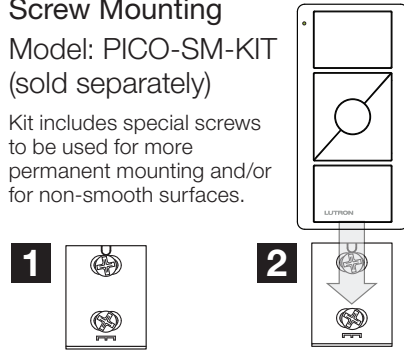
Standalone Mounting

Adhesive Mounting
Included with Pico wireless control



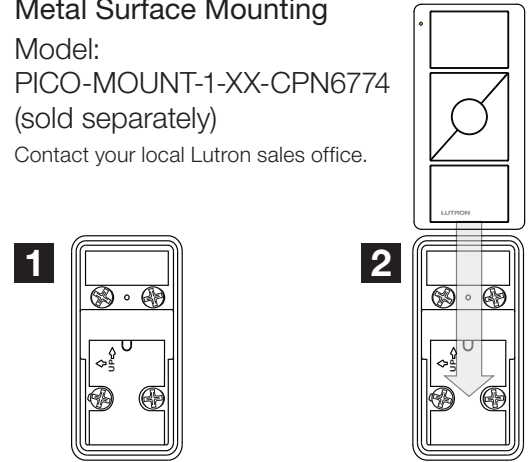
Screw Mounting
Model: PICO-SM-KIT (sold separately)

Kit includes special screws to be used for more permanent mounting and/or for non-smooth surfaces.



Metal Surface Mounting
Model: PICO-MOUNT-1-XX-CPN6774 (sold separately)

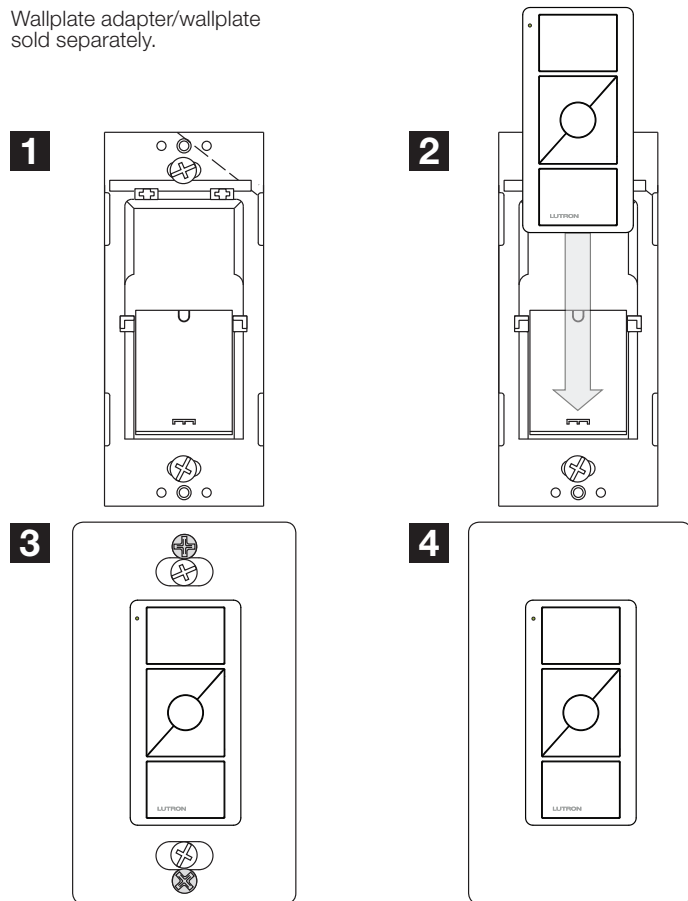
Contact your local Lutron sales office.



Wallbox Mounting

Wallbox Adapter
Model: PICO-WBX-ADAPT (sold separately)

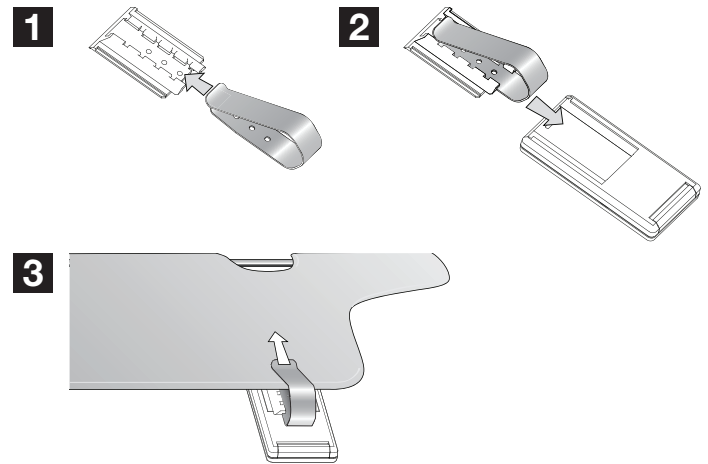
Wallplate adapter/wallplate sold separately.



Vehicle Mounting

Mounting to a Car Visor

Model: PICO-CARVISOR-CL (sold separately)



The Lutron logo, Lutron, Caséta, Claro, Pico, RA2 Select, and Smart Bridge are trademarks or registered trademarks of Lutron Electronics Co., Inc. in the US and/or other countries.

Job Name: <input type="text"/>	Model Numbers: <input type="text"/>	
Job Number: <input type="text"/>	<input type="text"/>	<input type="text"/>