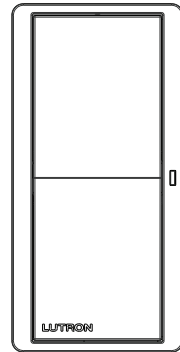


Pico Paddle Remote (for North, Central, and South America)

The Pico paddle remote is a flexible and easy to use device that allows the user to control Lutron wireless load-control devices from anywhere in the space. This battery-operated control requires no external power or communication wiring.

Features

- Provides remote control functionality for various Lutron smart controls and shading solutions.
- Control available in gloss finishes.
- Easy reconfiguration for use as a:
 - Handheld remote
 - Wall-mount control (with or without wallplate; wallplate adapter kit sold separately)
 - Car visor control (car visor clip sold separately)
 - Table top control (table top pedestal sold separately).
- Battery-powered. Requires no wiring.
- 10 year battery life¹ (one CR2032 battery included).
- Can provide control of blinds, curtains, or lighting devices within a range of 30 ft (9 m) through walls and 60 ft (18 m) line-of-sight.



Pico Paddle Remote

¹ Based on a 1 year shelf life, an average of 10 button presses per day, and an ambient temperature of 86 °F (30 °C). Actual life may vary based on usage and environmental conditions.

| | | |
|---|--|--|
| Job Name: <input style="width: 90%; height: 20px;" type="text"/> | Model Numbers: <input style="width: 60%; height: 20px;" type="text"/> <input style="width: 35%; height: 20px;" type="text"/> | |
| Job Number: <input style="width: 150px; height: 20px;" type="text"/> | <input style="width: 300px; height: 20px;" type="text"/> | <input style="width: 280px; height: 20px;" type="text"/> |

Specifications

Regulatory Approvals

- Lutron Quality Systems registered to ISO 9001:2015.
- cULus
- NOM
- FCC Certified (U.S.A.)
- ISED Certified (Canada)
- IFETEL Certified (Mexico)
- SUTEL Certified (Costa Rica)
- QCERT (Columbia)
- ANATEL (Brazil)

Power

- Operating Voltage 3 V_{DC}
- (1) CR2032 Battery (included)

System Compatibility

- Caséta Wireless controls
- HomeWorks QSX wireless systems
- RadioRA 3 systems
- Serena shades
- Sivoia QS wireless shades
- Vive systems

System Communication and Capacity

- Communicates using Radio Frequency (RF) at 431 MHz to 437 MHz.
- Thousands of system addresses prevent interference between systems.
- Can be assigned to control blinds, curtains or lighting devices that are within a range of 30 ft (9 m) through walls and 60 ft (18 m) line-of-sight.

Environment

- Ambient operating temperature: 32 °F to 140 °F (0 °C to 60 °C)
- Maximum 90% non-condensing relative humidity
- Indoor use only

Mounting Considerations

- All RF devices should be mounted on nonmetallic surfaces to ensure proper performance.
- If you wish to mount your Pico wireless control to a metallic surface, the PICO-MOUNT-1-XX-CPN6774 will be required in order to maintain proper RF performance. For availability, please contact your local Lutron sales office.

Warranty

- 1 Year Limited Warranty
For additional Warranty information, please visit www.lutron.com/TechnicalDocumentLibrary/369-119_Wallbox_Warranty.pdf

| | | |
|--|---|----------------------|
| Job Name: <input type="text"/> | Model Numbers: <input type="text"/> | |
| Job Number: <input type="text"/> | <input type="text"/> | <input type="text"/> |

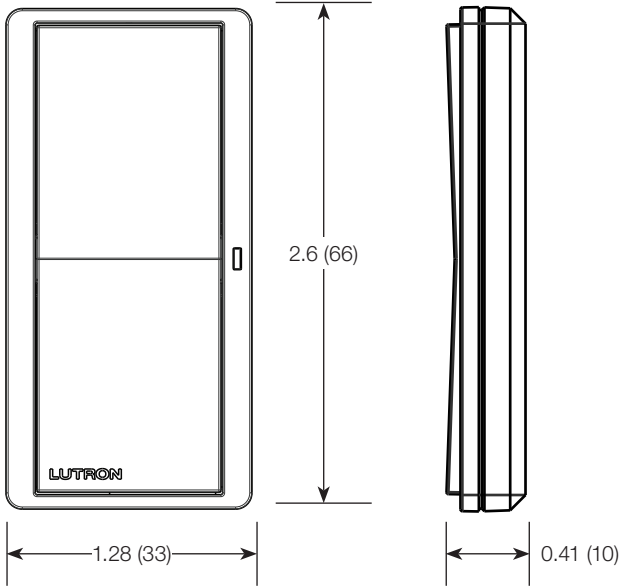
Dimensions

Measurements shown as: in (mm)

Pico Paddle Remote

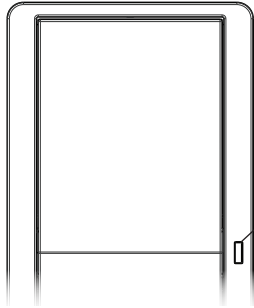
Front view

Side view



| | |
|---|--|
| <p>Job Name: <input type="text"/></p> <p>Job Number: <input type="text"/></p> | <p>Model Numbers: <input type="text"/></p> <p><input type="text"/></p> |
|---|--|

Operation

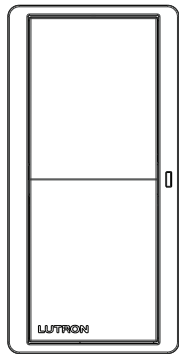


Indicator LED
Flashes to indicate a button press or when unit is in programming mode.

Pico Paddle Remote

Paddle Controls (P2B)

Lights:

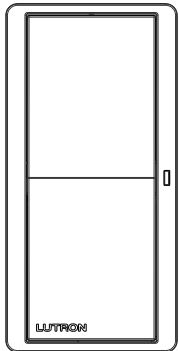


ON Button*
Lights go to full intensity.

* When paired with Diva smart dimmer:
If lights were **off**, lights go to preset slider level
If lights were **on**, lights go to full intensity

OFF Button
Lights go to off.

Shades:



OPEN Button
Screens/shades go to open limit.

CLOSE Button
Screens/shades go to close limit.

| | | |
|---|--|--|
| Job Name: <input style="width: 90%; height: 20px;" type="text"/> | Model Numbers: <input style="width: 60%; height: 20px;" type="text"/> <input style="width: 35%; height: 20px;" type="text"/> | |
| Job Number: <input style="width: 150px; height: 20px;" type="text"/> | <input style="width: 300px; height: 20px;" type="text"/> | <input style="width: 280px; height: 20px;" type="text"/> |

Pico Paddle Remote Model Number

PJ2 – XXX – XXX

Frequency/Channel Code*

| Code | Frequency Range |
|------|-------------------|
| J | 431.0 – 437.0 MHz |

* For questions about frequency/channel code compatibility, contact your local Lutron sales office or visit us at www.lutron.com

Button Configuration Codes

| Code | Button Configuration |
|------|----------------------|
| P2B | 2-Button Paddle |

Color/Finish Codes

| Color | Finish |
|--------------|--------|
| | Gloss |
| Black | GBL |
| Brown | GBR |
| Grey | GGR |
| Ivory | GIV |
| Light Almond | GLA |
| White | GWH |

| | |
|---|---|
| Job Name: <input type="text"/> Job Number: <input type="text"/> | Model Numbers: <input type="text"/> <input type="text"/> <input type="text"/> <input type="text"/> |
|---|---|

Pico Pedestal Model Number

Pedestals sold separately. Available in gloss finish only.

L – PEDX – XX

Capacity Codes

| Capacity | Code |
|----------|------|
| Single | 1 |
| Double | 2 |
| Triple | 3 |

Color Codes

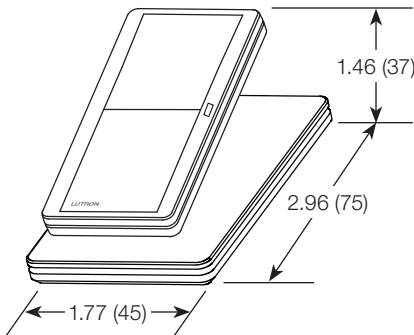
| Color* | Code |
|--------|------|
| White | WH |
| Black | BL |

* Available in gloss finish only.

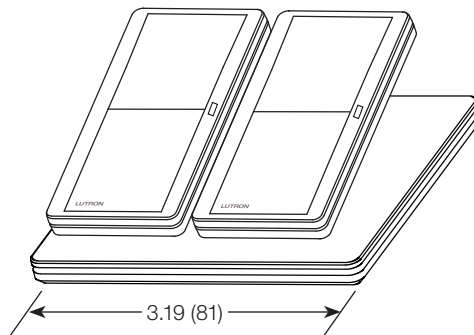
Pico Pedestal Dimensions

Measurements shown as: in (mm)

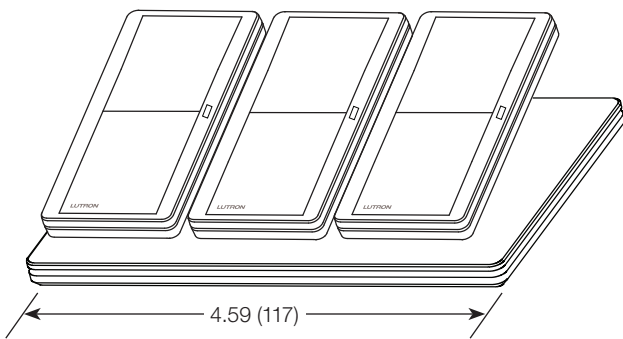
Single Pedestal



Double Pedestal



Triple Pedestal

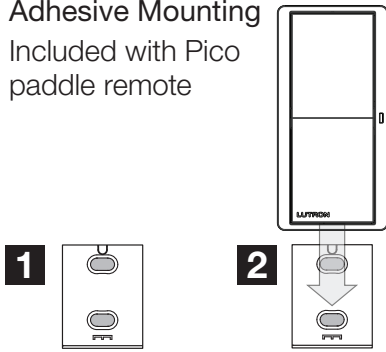


| | |
|---|---|
| Job Name: <input style="width: 90%; height: 20px;" type="text"/> | Model Numbers: <input style="width: 95%; height: 20px;" type="text"/> |
| Job Number: <input style="width: 150px; height: 20px;" type="text"/> | <input style="width: 95%; height: 20px;" type="text"/> |

Mounting Options

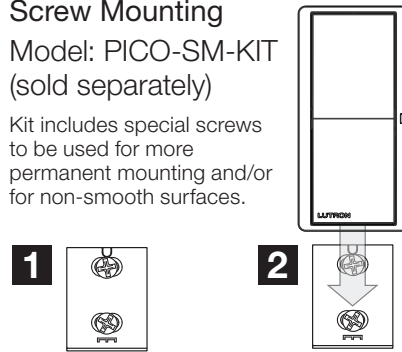
Standalone Mounting

Adhesive Mounting
Included with Pico paddle remote



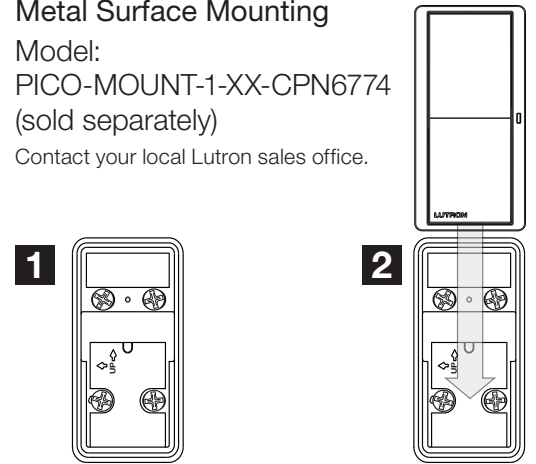
Screw Mounting
Model: PICO-SM-KIT (sold separately)

Kit includes special screws to be used for more permanent mounting and/or for non-smooth surfaces.



Metal Surface Mounting
Model: PICO-MOUNT-1-XX-CPN6774 (sold separately)

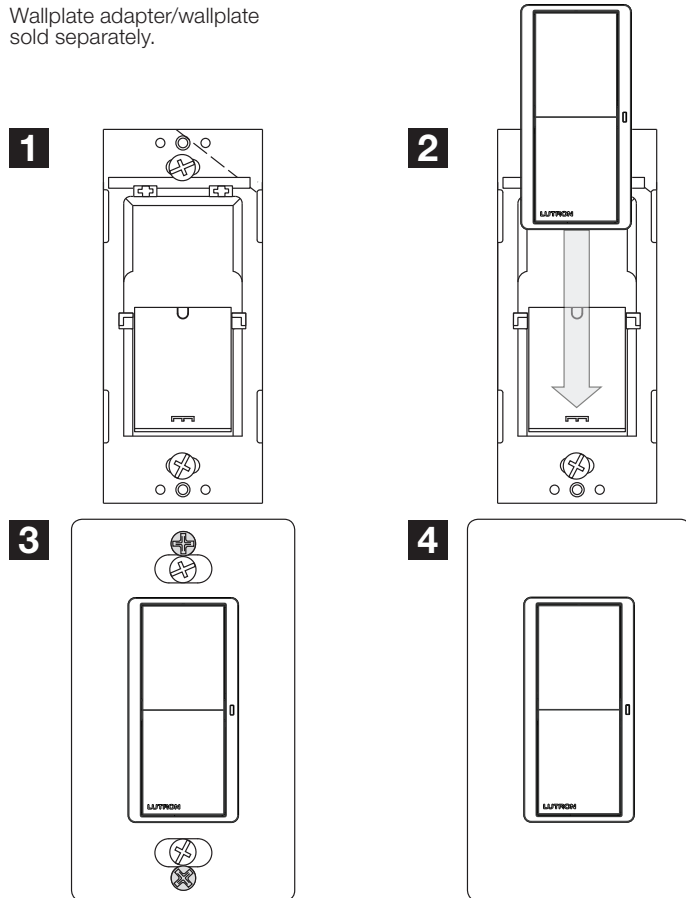
Contact your local Lutron sales office.



Wallbox Mounting

Wallbox Adapter
Model: PICO-WBX-ADAPT (sold separately)

Wallplate adapter/wallplate sold separately.



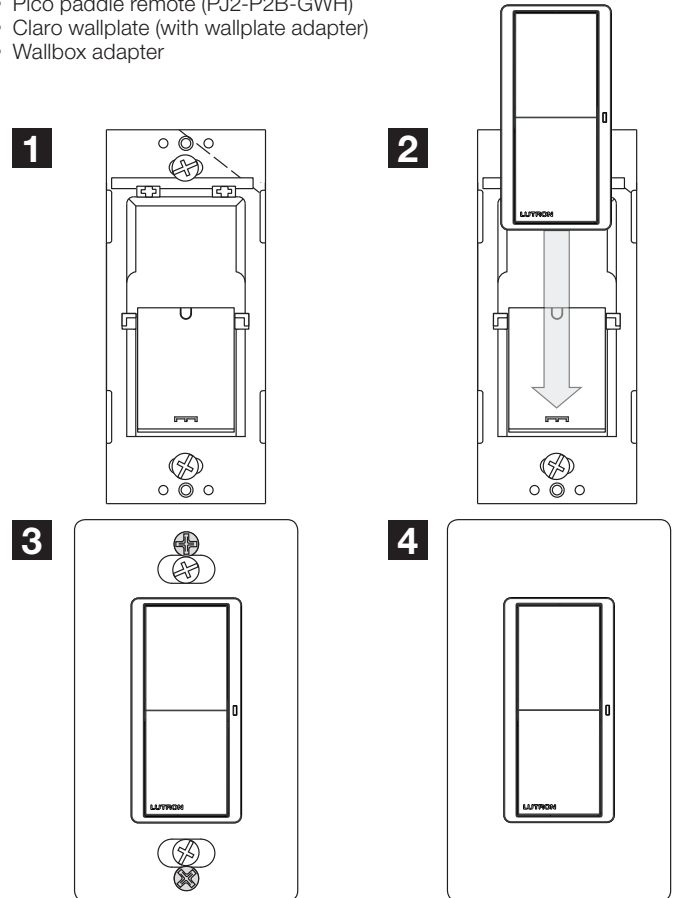
Surface Mounting Kits

Wall-Mounting Kit

Model: PJ2W-P2B-WH (sold separately)

Kit includes:

- Pico paddle remote (PJ2-P2B-GWH)
- Claro wallplate (with wallplate adapter)
- Wallbox adapter



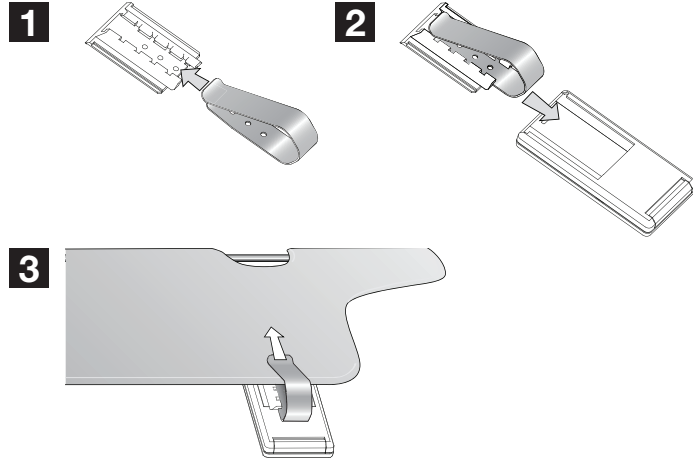
| | |
|---|--|
| Job Name: <input style="width: 90%;" type="text"/> | Model Numbers: <input style="width: 95%;" type="text"/> |
| Job Number: <input style="width: 80%;" type="text"/> | <input style="width: 95%;" type="text"/> |

Mounting Options (continued)

Vehicle Mounting

Mounting to a Car Visor

Model: PICO-CARVISOR-CL
(sold separately)



Lutron, Caséta, Claro, Diva, HomeWorks, Pico, RadioRA, Serena, Sivoia, Vive, and any related trade dress and logos are trademarks or registered trademarks of Lutron Electronics Co., Inc. in the US and/or other countries.

All other product names, logos, and brands are property of their respective owners.

| | | |
|-----------------------------------|--|----------------------|
| Job Name: <input type="text"/> | Model Numbers: <input type="text"/> | <input type="text"/> |
| Job Number: <input type="text"/> | <input type="text"/> | <input type="text"/> |