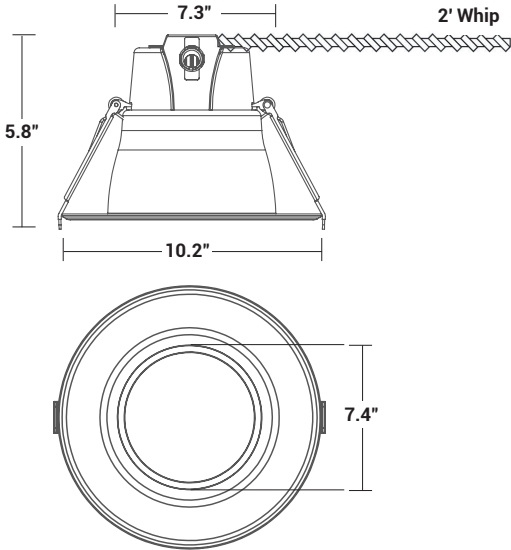




DIMENSIONS



Recommended Hole Cut-out Size: 8"

1000L/1500L/2500L (IC Rated)

NOMINAL LUMENS	DELIVERED LUMENS	WATTAGE
2500L	2447L	23W
1500L	1500L	15W
1000L	1000L	10W

3500L/4000L/5000L (NON-IC)

NOMINAL LUMENS	DELIVERED LUMENS	WATTAGE
5000L	5111L	49W
4000L	4000L	42W
3500L	3500L	32W

Based on 4000K, 90+ CRI. Actual wattage may vary +/- 5%

FEATURES

8" round multi-CCT LED "Canless Downlight" engineered for new construction, remodel, or retrofit to accommodate insulated or dropped ceilings. Easily access field-adjustable 3 lumen output and 5-Color SeleCCTor switch by lowering the luminaire from the opening. Recessed housing not required, especially with limited plenum applications. Remote driver allows easy installation and maintenance. Small aperture and shallow depth are ideal for unlimited applications.

LUMENS	1000L/1500L/2500L (IC Rated), 3500L/4000L/5000L (Non-IC)
CCT	27K/30K/35K/40K/50K
CRI	90+ Standard
COLOR QUALITY	3-Step MacAdam Ellipse
MOUNTING	Recessed
DIMMING	DIM10 - 0-10V 1% Flicker-free Dimming
BEAM ANGLE	Very Wide (VWD) at 90°
FINISH	White (WH) Standard
TRIM FINISH	Black (BK), Satin Haze (SH), White (WH), Clear (CL)
WORKING TEMP.	-25°C (-13°F) to 40°C (104°F)
UGR	UGR<19
EMERGENCY	EMG-LED-G-16W-HV-FLEX (Remote) EMG-LED-G-25W-HV-FLEX (Remote)
LIFETIME	L70 at 50,000 Hours
PHOTOMETRIC	In accordance with IES LM79-08, LM80 and TM-30, TM-21



OPTICS

Features a regressed, frosted polycarbonate lens for optimal beam diffusion and a reflector for smooth, glare-free illumination. Features a UGR<19, and a wide (WD) distribution.

Highly effective, micro-power LEDs allow for excellent and energy efficient performance.

Five selectable color temperatures of 27K/30K/35K/40K/50K enable different warm to cool moods and atmospheres. A selectable lumen package of 1000L/1500L/2500L or 3500L/4000L/5000L (Non-IC) allows for customizable intensity, for a variety of uses.

CCT factory set to 5000K; lumen factory set to 2500L or 5000L (Non-IC).

CONSTRUCTION

Housing built from spun aluminum for a lightweight durability and optimal heat conduction.

IC rated, air-tight, and ready for contact with insulation. Completely sealed for use in wet locations.

Pre-installed spring clips allow for easy and fast "snap-in" recessed installation.

Multi-lumen and multi-CCT switches located on the back of luminaire.

Available in a white finish.

MAINTENANCE

Fixture can be regularly and safely wiped down to ensure optimal fixture performance.

MOUNTING

Suitable for Recessed Mounting in remodel, new construction or retrofit applications. Meant to be installed in 8" hole. No recessed housing necessary.

OPTIONS & ACCESSORIES

Available to order separately:

- Various colored Baffle, Reflector, and Trim options
- 16W and 25W Emergency Battery Back-up options

Rough Plate options:

- **RL-UNV-1/2/3/4/5/6/8/10** - Universal Mounting Plate for 1", 2", 3", 4", 5", 6", 8" and 10" downlights
- **RL-ACC-SLIM-8-ROUGHPLATE** for use with 8" downlights
- **A-HHE8-LED** Commercial Housing for use with 8" downlights
- **A-HHZ8-LED** Commercial Housing for use with 8" downlights

See order chart for details.

DRIVER & ELECTRICAL INFORMATION

Powered by high-quality constant-current power LED drivers which are rated for 50 to 60Hz at 120V-347V input, produce less than 20% THD, and have a power factor of .90 to 1.00.

DIMMING

DIM10 - Flicker-free 1% dimming at 120-347V.

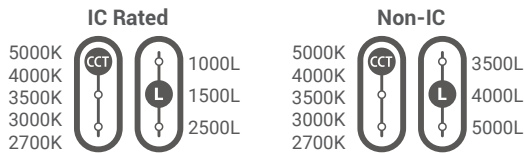
WARRANTY

5-year warranty for parts and components (labor not included).

LISTINGS

ETL listed.
Energy Star certified.
JA8 and Title 20 compliant.
Wet location suitable.
IC-Rated, air-tight ready, and may be in direct contact with insulation.

MULTI-LUMEN & MULTI-CCT SWITCH



TRIM OPTIONS

BAFFLE TRIMS



RL843-BT-MB-BK
Black - Black

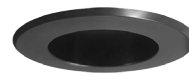


RL843-BT-SHZ-SHZ
Satin Haze - Satin Haze



RL843-BT-SHZ-WH
Satin Haze - White

REFLECTOR TRIMS



RL843-RT-MB-BK
Black - Black



RL843-RT-SHZ-SHZ
Satin Haze - Satin Haze



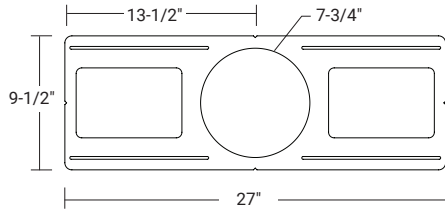
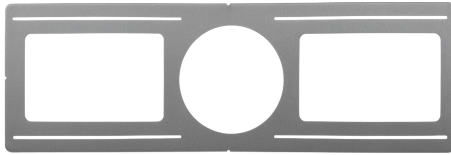
RL843-RT-SHZ-WH
Satin Haze - White



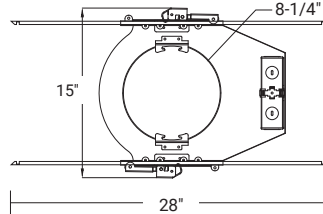
RL843-RT-CL-WH
Clear - White

OPTION & ACCESSORIES

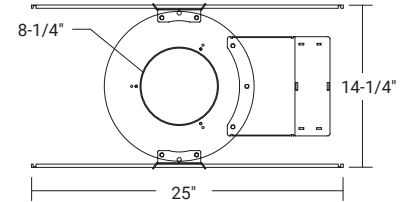
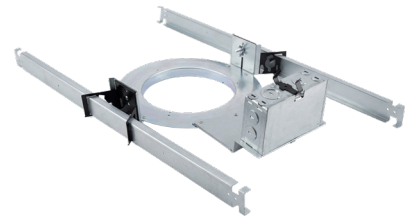
RL-ACC-SLIM-8-ROUGHPLATE
For 8" downlights



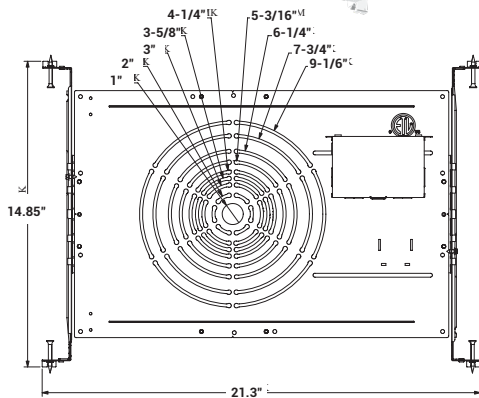
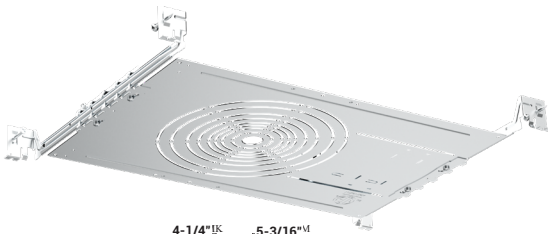
A-HHE8-LED
For use with 8" downlights



A-HHZ8-LED
For use with 8" downlights



RL-UNV-1/2/3/4/5/6/8/10
For use with 1", 2", 3", 4", 5", 6", 8", and 10" downlights



Example: **RL843-1000L/1500L/2500L-DIM10-MVOLT-27K/30K/35K/40K/50K-90-WH**

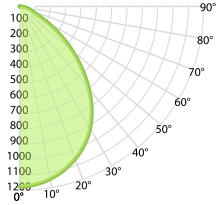
SERIES	LUMENS	DIMMING	CCT	CRI	FINISH	OPTION
RL843	1000L/1500L/2500L (IC Rated) 3500L/4000L/5000L (Non-IC)	DIM10-MVOLT (0-10V)	27K/30K/35K/40K/50K	90	WH - White (Standard)	RL-UNV-1/2/3/4/5/6/8/10 - Universal Mounting Plate for 1", 2", 3", 4", 5", 6", 8" and 10" RL-ACC-SLIM-8-ROUGHPLATE - 8" Mounting Plate A-HHE8-LED - 8" Commercial Housing for New Construction Horizontal A-HHZ8-LED - 8" Commercial Housing 0-EMG-LED-16W-FLEX - 16W Emergency Back up (Remote) 0-EMG-LED-25W-FLEX - 25W Emergency Back up (Remote)
TRIM OPTION						
RL843-BT-MB-BK RL843-BT-SHZ-SHZ RL843-BT-SHZ-WH RL843-RT-MB-BK RL843-RT-SHZ-SHZ RL843-RT-SHZ-WH RL843-RT-CL-WH						

RL843-1000L-1500L-2500L-DIM10-MVOLT-27K-30K-35K-40K-50K-90-WH(2500L)

TEST NO.: EL12192523

INPUT WATTS:22.9 LUMENS:2447 EFFICACY: 107 BEAM ANGLE:91 SPACING CRITERIA: 1.17

CANDELA DISTRIBUTION



CANDELA TABLE

	0°	90°
0°	1177	1177
10°	1143	1150
20°	1058	1074
30°	918	945
40°	701	734
50°	445	483
60°	209	246
70°	87	94
80°	38	46
90°	0	0

LUMINANCE (cd/sq.m)

	0.00°	90.00°
0.00°	41511	41511
45.00°	28648	30460
55.00°	19741	22100
65.00°	10232	12535
75.00°	8537	9552
85.00°	5168	9124

LUMENS PER ZONE

ZONE	LUMENS
0° - 10°	111
10° - 20°	315
20° - 30°	468
30° - 40°	528
40° - 50°	467
50° - 60°	316
60° - 70°	149
70° - 80°	70
80° - 90°	20

ZONAL LUMEN SUMMARY

ZONE	LUMENS	% LUMINAIRE
0° - 20°	427	17%
0° - 30°	894	37%
0° - 40°	1422	58%
0° - 60°	2206	90%
0° - 80°	2424	99%
0° - 90°	2444	100%

CONE OF LIGHT

MOUNTING HEIGHT	FC AT BEAM CENTER	BEAM DIA. 0°-180°	BEAM DIA. 90°-270°
6.0 m	32.7 lx	12.2 m	12.3 m
8.0 m	18.4 lx	16.3 m	16.4 m
10.0 m	11.8 lx	20.4 m	20.6 m
12.0 m	8.2 lx	24.5 m	24.7 m
14.0 m	6.0 lx	28.6 m	28.8 m
16.0 m	4.6 lx	32.7 m	32.9 m
18.0 m	3.6 lx	36.7 m	37.0 m
20.0 m	2.9 lx	40.8 m	41.1 m

INDOOR COEFFICIENTS OF UTILIZATION

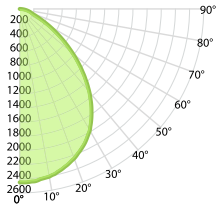
pf	pc	80%												70%												20%												0%
		70%	50%	30%	10%	70%	50%	30%	10%	50%	30%	10%	50%	30%	10%	50%	30%	10%	50%	30%	10%	0%																
0	119	119	119	119	119	116	116	116	116	111	111	111	106	106	106	106	102	102	102	102	100																	
1	111	107	103	100	108	104	101	98	100	98	95	96	94	92	93	91	90	88	88	88	88																	
2	102	95	90	85	100	93	88	84	90	86	82	87	83	80	84	81	78	76	76	76	76																	
3	94	85	78	73	92	84	77	72	81	75	71	78	74	70	76	72	68	66	66	66	66																	
4	87	77	69	63	85	76	68	63	73	67	62	71	65	61	69	64	60	58	58	58	58																	
5	81	69	61	56	79	68	61	55	66	60	55	64	59	54	63	58	54	52	52	52	52																	
6	75	63	55	49	73	62	55	49	61	54	49	59	53	48	57	52	48	46	46	46	46																	
7	70	58	50	44	68	57	49	44	55	49	44	54	48	43	53	47	43	41	41	41	41																	
8	66	53	45	40	64	52	45	40	51	44	39	50	44	39	49	43	39	37	37	37	37																	
9	61	49	41	36	60	48	41	36	47	41	36	46	40	36	45	40	36	34	34	34	34																	
10	58	45	38	33	56	45	38	33	44	37	33	43	37	33	42	37	33	31	31	31	31																	

RL843-3500L-4000L-5000L-DIM10-MVOLT-27K-30K-35K-40K-50K-90-WH(5000L)

TEST NO.: EL12192523

INPUT WATTS:49.0 LUMENS:5111 EFFICACY: 104 BEAM ANGLE:92 SPACING CRITERIA: 1.19

CANDELA DISTRIBUTION



CANDELA TABLE

	0°	90°
0°	2450	2450
10°	2406	2402
20°	2249	2255
30°	1980	2011
40°	1529	1587
50°	980	1056
60°	481	552
70°	188	213
80°	89	109
90°	0	10

LUMINANCE (cd/sq.m)

	0.00°	90.00°
0.00°	96298	96298
45.00°	69789	73880
55.00°	48936	54306
65.00°	27210	32194
75.00°	21105	24312
85.00°	15583	26277

LUMENS PER ZONE

ZONE	LUMENS
0° - 10°	232
10° - 20°	657
20° - 30°	976
30° - 40°	1100
40° - 50°	973
50° - 60°	655
60° - 70°	313
70° - 80°	153
80° - 90°	47

ZONAL LUMEN SUMMARY

ZONE	LUMENS	% LUMINAIRE
0° - 20°	889	17%
0° - 30°	1864	36%
0° - 40°	2964	58%
0° - 60°	4592	90%
0° - 80°	5058	99%
0° - 90°	5105	100%

CONE OF LIGHT

MOUNTING HEIGHT	FC AT BEAM CENTER	BEAM DIA. 0°-180°	BEAM DIA. 90°-270°
6.0 m	68.1 lx	12.3 m	12.3 m
8.0 m	38.3 lx	16.4 m	16.4 m
10.0 m	24.5 lx	20.6 m	20.5 m
12.0 m	17.0 lx	24.7 m	24.6 m
14.0 m	12.5 lx	28.8 m	28.7 m
16.0 m	9.6 lx	32.9 m	32.8 m
18.0 m	7.6 lx	37.0 m	36.9 m
20.0 m	6.1 lx	41.1 m	41.1 m

INDOOR COEFFICIENTS OF UTILIZATION

pf	pc	80%												70%												20%												0%
		70%	50%	30%	10%	70%	50%	30%	10%	50%	30%	10%	50%	30%	10%	50%	30%	10%	50%	30%	10%	0%																
0	119	119	119	119	119	116	116	116	116	111	111	111	106	106	106	106	102	102	102	102	100																	
1	111	107	103	100	108	104	101	98	100	98	95	96	94	92	93	91	89	88	88	88	88																	
2	102	95	89	84	100	93	88	83	90	85	82	87	83	80	84	81	78	76	76	76	76																	
3	94	85	78	73	92	84	77	72	81	75	71	78	73	69	76	72	68	66	66	66	66																	
4	87	77	69	63	85	75	68	63	73	67	62	71	65	61	69	64	60	58	58	58	58																	
5	81	69	61	55	79	68	61	55	66	60	55	64	59	54	63	57	53	51	51	51	51																	
6	75	63	55	49	73	62	55	49	60	54	49	59	53	48	57	52	48	46	46	46	46																	
7	70	58	50	44	68	57	49	44	55	49	44	54	48	43	53	47	43	41	41	41	41																	
8	65	53	45	40	64	52	45	40	51	44	39	50	44	39	49	43	39	37	37	37	37																	
9	61	49	41	36	60	48	41	36	47	40	36	46	40	36	45	40	35	34	34	34	34																	
10	58	45	38	33	56	45	38	33	44	37	33	43	37	33	42	36	32	31	31	31	31																	