

**READ AND FOLLOW ALL SAFETY INSTRUCTIONS!
SAVE THESE INSTRUCTIONS AND DELIVER TO OWNER AFTER INSTALLATION**

- To reduce the risk of death, personal injury or property damage from fire, electric shock, falling parts, cuts/abrasions, and other hazards please read all warnings and instructions included with and on the fixture box and all fixture labels.
- Before installing, servicing, or performing routine maintenance upon this equipment, follow these general precautions.
- Installation and service of luminaires should be performed by a qualified licensed electrician.
- Maintenance of the luminaires should be performed by person(s) familiar with the luminaires' construction and operation and any hazards involved. Regular fixture maintenance programs are recommended.
- It will occasionally be necessary to clean the outside of the refractor/lens. Frequency of cleaning will depend on ambient dirt level and minimum light output which is acceptable to user. Refractor/lens should be washed in a solution of warm water and any mild, non-abrasive household detergent, rinsed with clean water and wiped dry. Should optical assembly become dirty on the inside, wipe refractor/lens and clean in above manner, replacing damaged gaskets as necessary.
- **DO NOT INSTALL DAMAGED PRODUCT!** This luminaire has been properly packed so that no parts should have been damaged during transit. Inspect to confirm. Any part damaged or broken during or after assembly should be replaced.
- Recycle: For information on how to recycle LED electronic products, please visit www.epa.gov.
- These instructions do not purport to cover all details or variations in equipment nor to provide every possible contingency to meet in connection with installation, operation, or maintenance. Should further information be desired or should particular problems arise which are not covered sufficiently for the purchaser's or owner's purposes, this matter should be referred to Acuity Brands Lighting, Inc.



**WARNING
RISK OF ELECTRIC SHOCK**

- ✓ Disconnect or turn off power before installation or servicing.
- ✓ Verify that supply voltage is correct by comparing it with the luminaire label information.
- ✓ Make all electrical and grounded connections in accordance with the National Electrical Code (NEC) and any applicable local code requirements.
- ✓ All wiring connections should be capped with UL approved recognized wire connectors.



**WARNING
RISK OF BURN**

- ✓ Allow lamp/fixture to cool before handling. Do not touch enclosure or light source.
- ✓ Do not exceed maximum wattage marked on luminaire label.
- ✓ Follow all manufacturer's warnings, recommendations and restrictions for: driver type, burning position, mounting locations/methods, replacement and recycling.



**CAUTION
RISK OF INJURY**

- ✓ Wear gloves and safety glasses at all times when removing luminaire from carton, installing, servicing or performing maintenance.
- ✓ Avoid direct eye exposure to the light source while it is on.



**CAUTION
RISK OF FIRE**

- ✓ Keep combustible and other materials that can burn, away from lamp/lens.
- ✓ Do not operate in close proximity to persons, combustible materials or substances affected by heat or drying.

LED IMPORTANT SAFETY INSTRUCTIONS



CAUTION: RISK OF PRODUCT DAMAGE

- ✓ Never connect components under load.
- ✓ Do not mount or support these fixtures in a manner that can cut the outer jacket or damage wire insulation.
- ✓ Controls for dimming, auto-sensing, or remote control of a luminaire that are not factory-wired to the luminaire must be checked for compatibility with the luminaire prior to installation. LED fixtures must be powered directly off a switched circuit.
- ✓ Unless individual product specifications deem otherwise: Do not restrict fixture ventilation. Allow for some volume of airspace around fixture. Avoid covering LED fixtures with insulation, foam, or other material that will prevent convection or conduction cooling.
- ✓ Unless individual product specifications deem otherwise: Do not exceed fixtures maximum ambient temperature.
- ✓ Only use fixture in its intended location.
- ✓ LED products are Polarity Sensitive. Ensure proper Polarity before installation.
- ✓ Electrostatic Discharge (ESD): ESD can damage LED fixtures. Personal grounding equipment must be worn during all installation or servicing of the unit.
- ✓ Do not touch individual electrical components as this can cause ESD, shorten lamp life, or alter performance.
- ✓ Some components inside the fixture may not be serviceable. In the unlikely event your unit may require service, stop using the unit immediately and contact an ABL representative for assistance.
- ✓ Always read the fixtures complete installation instructions prior to installation for any additional fixture specific warnings.

Please see product specific installation instructions for additional warnings or any applicable FCC or other regulatory statements.

Failure to follow any of these instructions could void product warranties. For a complete listing of product Terms and Conditions, please visit www.acuitybrands.com.

Our Brands	Indoor/Outdoor Lithonia Lighting Carandini Holophane RELOC Light Concepts	Indoor Lighting Gotham Mark Architectural Lighting Peerless Renaissance Lighting Winona Lighting	Outdoor Lighting American Electric Lighting Antique Street Lamps Hydrel Tersen	Controls DARK TO LIGHT LC&D ROAM Sensor Switch Synergy	Daylighting SunOptics
------------	------------------------------------------------------------------------------------------	-----------------------------------------------------------------------------------------------------------------	--------------------------------------------------------------------------------------------	-----------------------------------------------------------------------	--------------------------

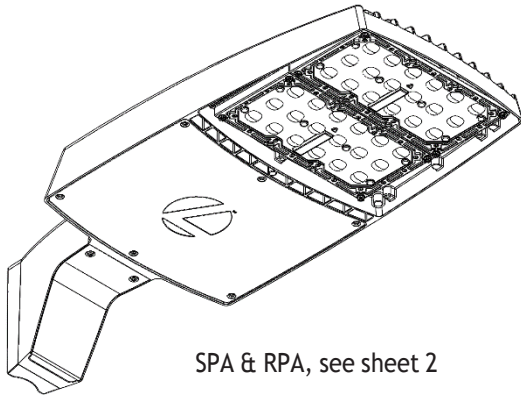
Acuity Brands Lighting, Inc. assumes no responsibility for claims arising out of improper or careless installation or handling of its products.

ABL LED General Warnings, Form No. 503.203

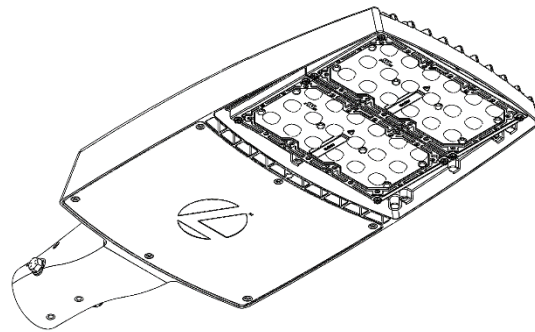
© 2010 Acuity Brands Lighting, Inc. All rights reserved. 12/01/10

DELIVERY: Upon receipt of fixture and accessories (packed separately), thoroughly inspect for any freight damage. All damage should be reported to the delivery carrier. Compare the catalog description listed on the packing slip with the fixture label on the inside of the housing to be sure to correct merchandise was received.

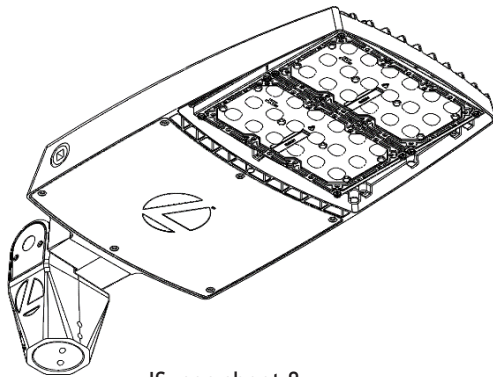
This device complies with Part 15 of the FCC Rules. Operation is subject to the following two conditions: (1) this device may not cause harmful interference, and (2) this device must accept any interference received, including interference that may cause undesired operation.



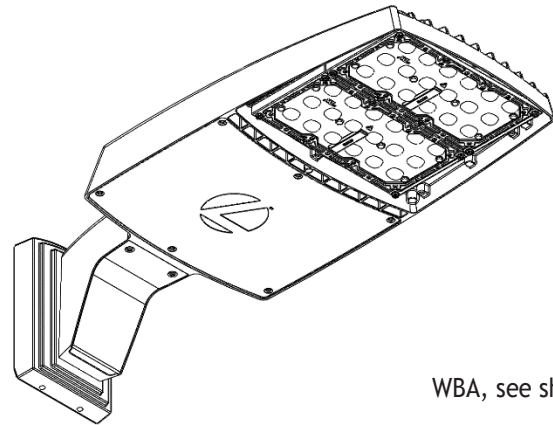
SPA & RPA, see sheet 2



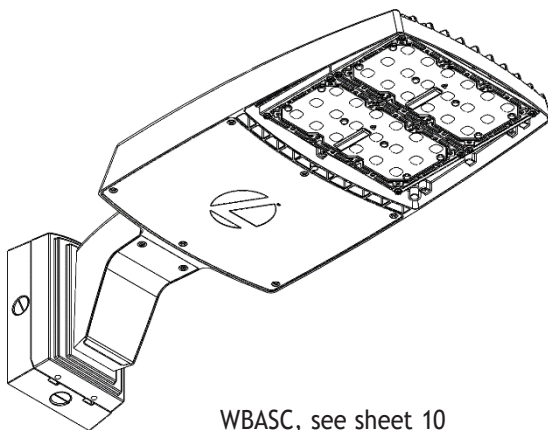
MA, see sheet 4



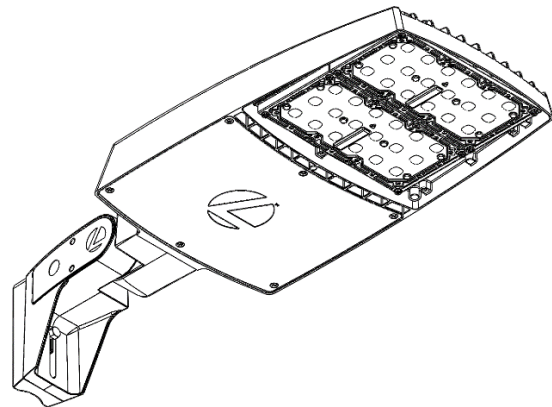
IS, see sheet 8



WBA, see sheet 10



WBASC, see sheet 10



AASP/AARP/AAWB/AAWSC, see sheet 12

Installation Instructions

RSX LED

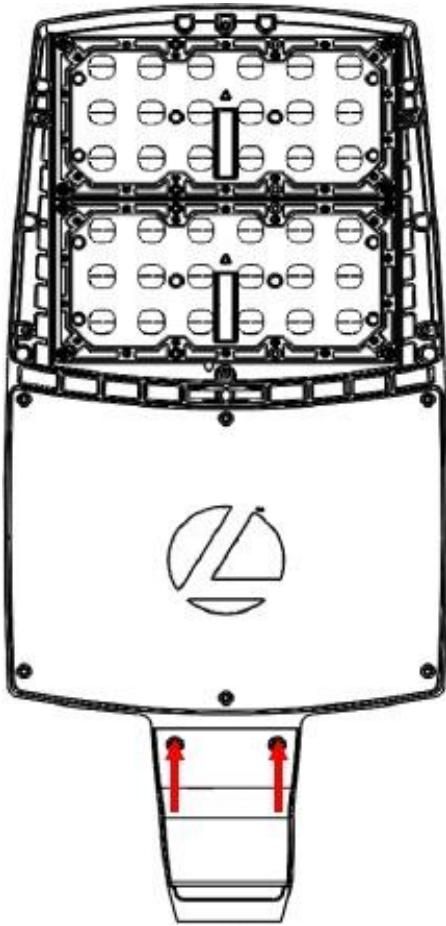


Figure 1

3. If the bar with the #8 drilling pattern (Fig 2a) does not line up with existing holes, use the universal mounting bar (Fig 2b) with the sliding snap-nut.

Insert one of the included 3/8 mounting bolts through the top hole of the pole and thread into the mounting bar. For a round pole, the round pole adapter (RPA) is required and must be placed between the pole and the fixture as shown with the curved side contacting pole and flat side facing away from pole (Fig 2c).

RSX SPA/RPA & ESPA/ERPA INSTALLATION INSTRUCTION

Tools Required:

- 3/8" Socket Wrench
- 9/64" Allen Wrench

Minimum Square Pole: 3.5" Face

Minimum Round Pole: 3.2" Diameter

1. Loosen the captive screws of the arm cover (Fig 1) to access the pole mounting area
2. Two mounting bars are included in the installation kit:
 - a. The shorter bar is used for #8 Lithonia drilling pattern and has 3 holes. The top and bottom hole are threaded.
 - b. The longer bar has one top hole and a slot with a sliding snap-nut to be used on poles with existing drill patterns.

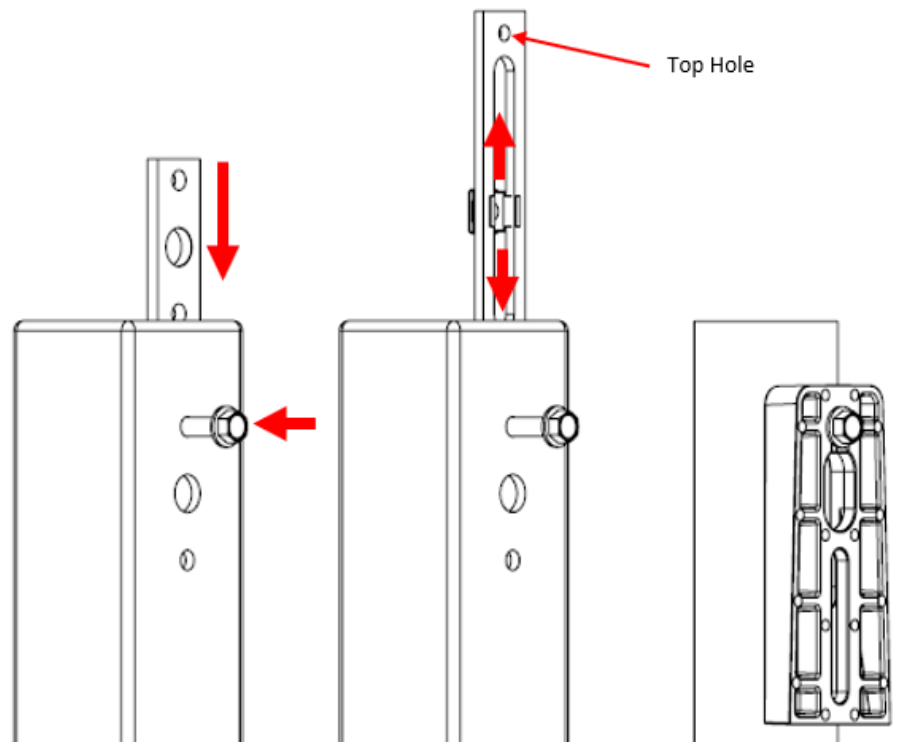


Figure 2a

Figure 2c



An Acuity Brands Company

©2016 Acuity Brands Lighting, Inc.
All Rights Reserved.

Lithonia Lighting Outdoor
One Lithonia Way, Conyers, GA 30012
Phone: 800-279-8041 Fax: 770-918-1209
www.lithonia.com

Part Number: IM-459 Rev E
Rev Date: 12/20/23

Installation Instructions RSX LED

4. The luminaire is supplied with a variety of slots to align with existing pole mounting drill patterns. The top hole of the luminaire arm has a key hole slot.

Place the luminaire onto the top bolt by passing the head through the key slot and resting the luminaire down securely in place (See Fig 3).

WARNING: THE LUMINAIRE IS NOT COMPLETELY LOCKED DOWN YET. SPECIAL CARE MUST BE TAKEN TO AVOID JARRING THE LUMINAIRE FROM ITS RESTING POINT

Ensure the luminaire is resting securely on the top bolt and snug the bolt but do not completely tighten yet. Thread the second bolt through the arm slot and into the available threaded hole of the mounting bar (See Fig 4).

5. The luminaire is supplied with a clearance slot in the back to allow wires to be pulled into the pole on existing hole patterns. Insert the wires through the clearance slot shown in Figure 5 and pull them into the pole.

6. Ensure luminaire is straight/level making sure that no wires are pinched, tighten the two bolts with a 3/8 socket to 30ft-lbs (overtightening can damage components and void warranties). Make sure that wires are not pinched and tuck excess wire up into the luminaire mounting area.

7. Reinstall the cover removed in step 1, tighten the two captive screws with the 9/64 Allen wrench to 18-20 in-lbs (overtightening can cause thread stripping and void all warranties) (See Fig 6).

8. Make wire connections in the pole, observing proper voltage and polarity. Connect green ground wire from the fixture to the field ground wire. Secure wires; push back into pole and replace pole cap.

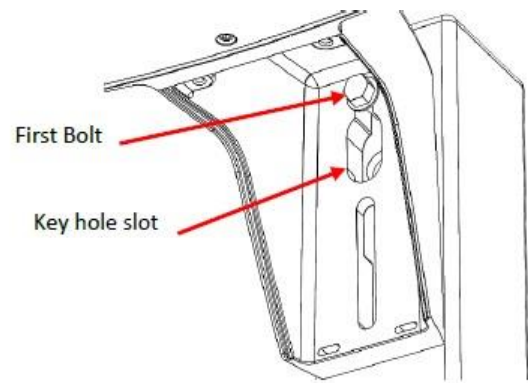


Figure 3

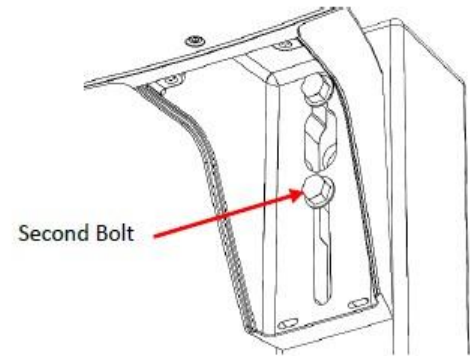


Figure 4

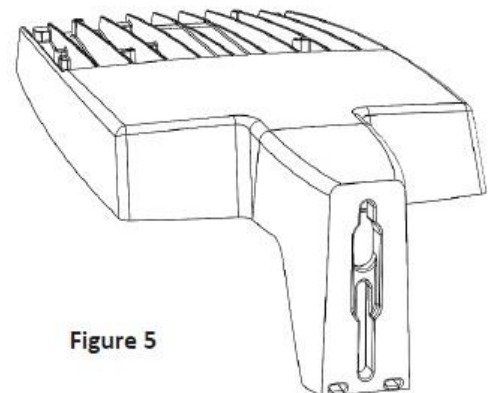


Figure 5

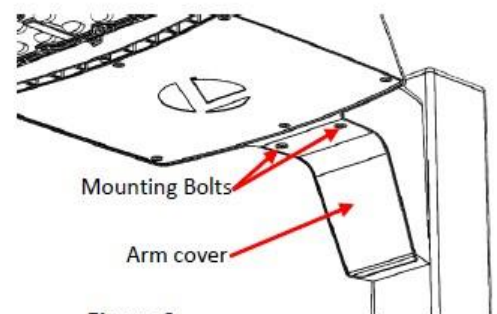


Figure 6



Installation Instructions

RSX LED

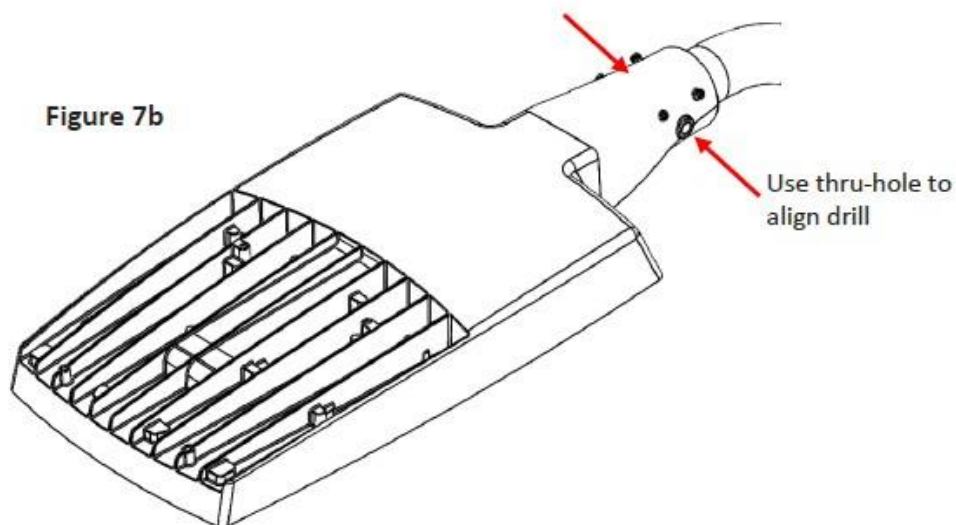
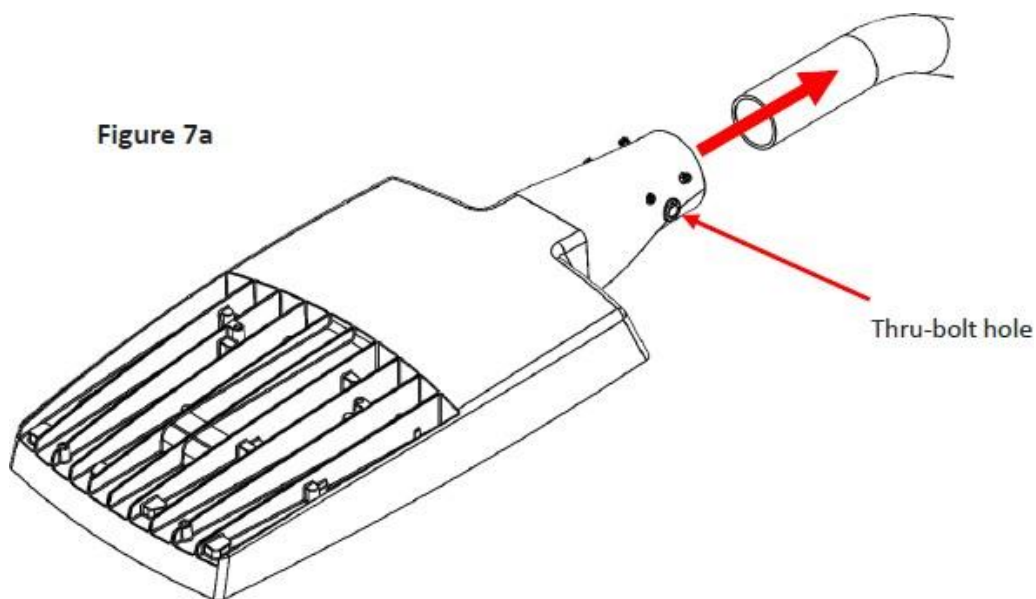
RSX MAST ARM ADAPTOR INSTALLATION

Tools Required:

- 5/8" Socket wrench
- 3/16" Allen wrench
- 5/32" Allen wrench

Minimum tenon/pole diameter: 2" schedule 40 pipe (2-3/8"OD)

1. Slip luminaire Mast Arm Mount over 2-3/8" \varnothing pole tenon (See Figure 7a).
2. Use provided set screws and secure the luminaire in required position to drill the thru hole.
3. Use thru-bolt hole provided as pilot and drill 1/2" \varnothing hole on tenon through mast arm from both side (See Figure 7b).
Ensure no wires are at risk of being damaged by the drilling operation.



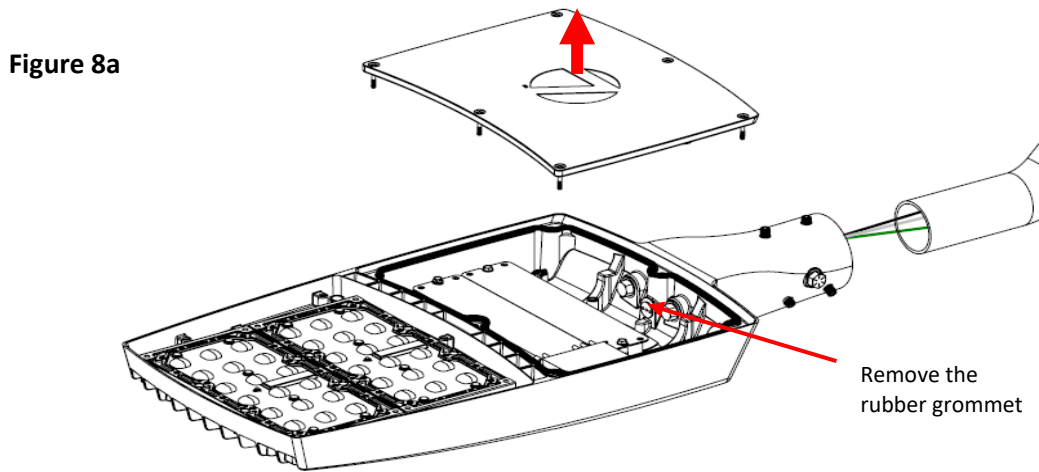
©2016 Acuity Brands Lighting, Inc.
All Rights Reserved.

Lithonia Lighting Outdoor
One Lithonia Way, Conyers, GA 30012
Phone: 800-279-8041 Fax: 770-918-1209
www.lithonia.com

Part Number: IM-459 Rev E
Rev. Date: 12/20/23
Page #4

Installation Instructions RSX LED

3. Loosen the set screws enough to flip the luminaire over as shown below in figure 8a, then loosen the six captive screws on door to access the wire connection area. Remove the rubber grommet (see figure 8b) before feeding the wires.



4. Remove the luminaire from the tenon to insert input wires through the holes of the rubber grommet, pull them into the wire connection area. Replace the rubber grommet back as originally assembled before wire feeding (See Figure 8b & 8c).

Figure 8c



Installation Instructions

RSX LED

5. Insert the ground wire from tenon to the 3-way wire nut with the green wires from SPD and luminaire ground connection and lock it. Repeat this step for black (hot) and white (neutral) wires. Select matching colored wires coming from SPD (See Figure 9a, 9b, 9c).

Figure 9a

Figure 9b

Figure 9c

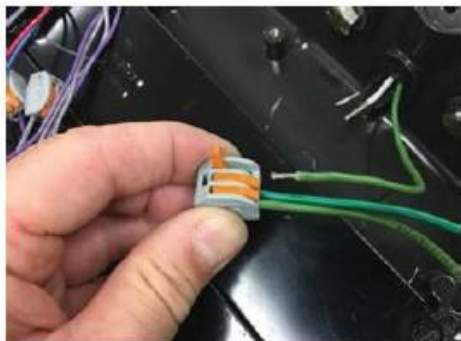


Figure 10

6. Use cable tie and bundle all newly attached wires as shown in Figure 10.

7. Make sure that wires and door tethers are not pinched, and that the door gasket is still snugly in its groove on the door. Reinstall the mounting door (Fig 11) that was re- moved, tighten the six captive screws with the 5/32 Allen wrench to 25-30 in-lbs. (overtightening can cause thread stripping and void all warranties).

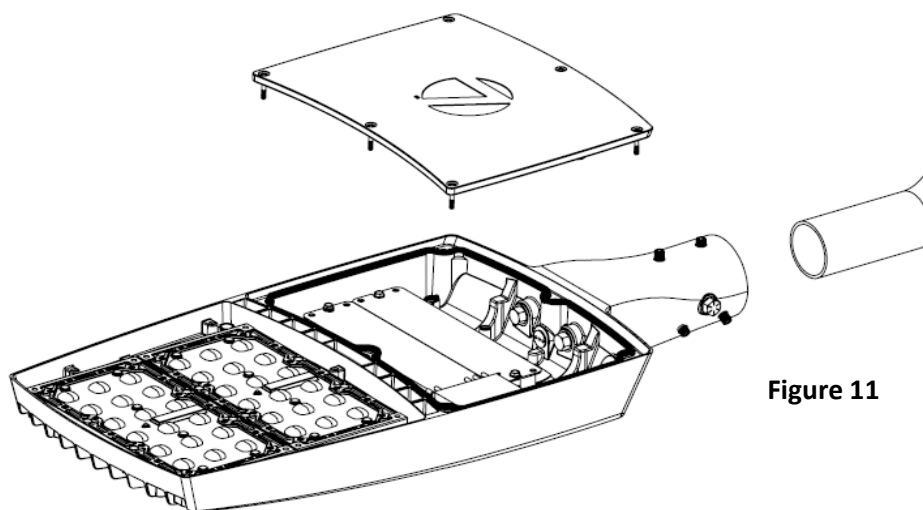


Figure 11



An Acuity Brands Company

©2016 Acuity Brands Lighting, Inc.

All Rights Reserved.

Lithonia Lighting Outdoor
One Lithonia Way, Conyers, GA 30012
Phone: 800-279-8041 Fax: 770-918-1209

www.lithonia.com

Part Number: IM-459 Rev E
Rev Date: 12/20/23

Page #6

Installation Instructions RSX LED

8. Reorient luminaire to desired position on the tenon and Insert provided 7/16"-14 x 4-1/2" bolt through Mast Arm Mount and drilled 1/2" \varnothing hole on tenon and place provided 7/16" nut onto bolt (see figure 12) and tighten securely to 45-50 ft-lbs.
9. Evenly tighten the Six (6) 3/8-16 UNC Mast Arm Set Bolts while maintaining the correct position of the luminaire to 13 ft-lbs.
10. Energize the luminaire to verify its operation and proper illumination of area.

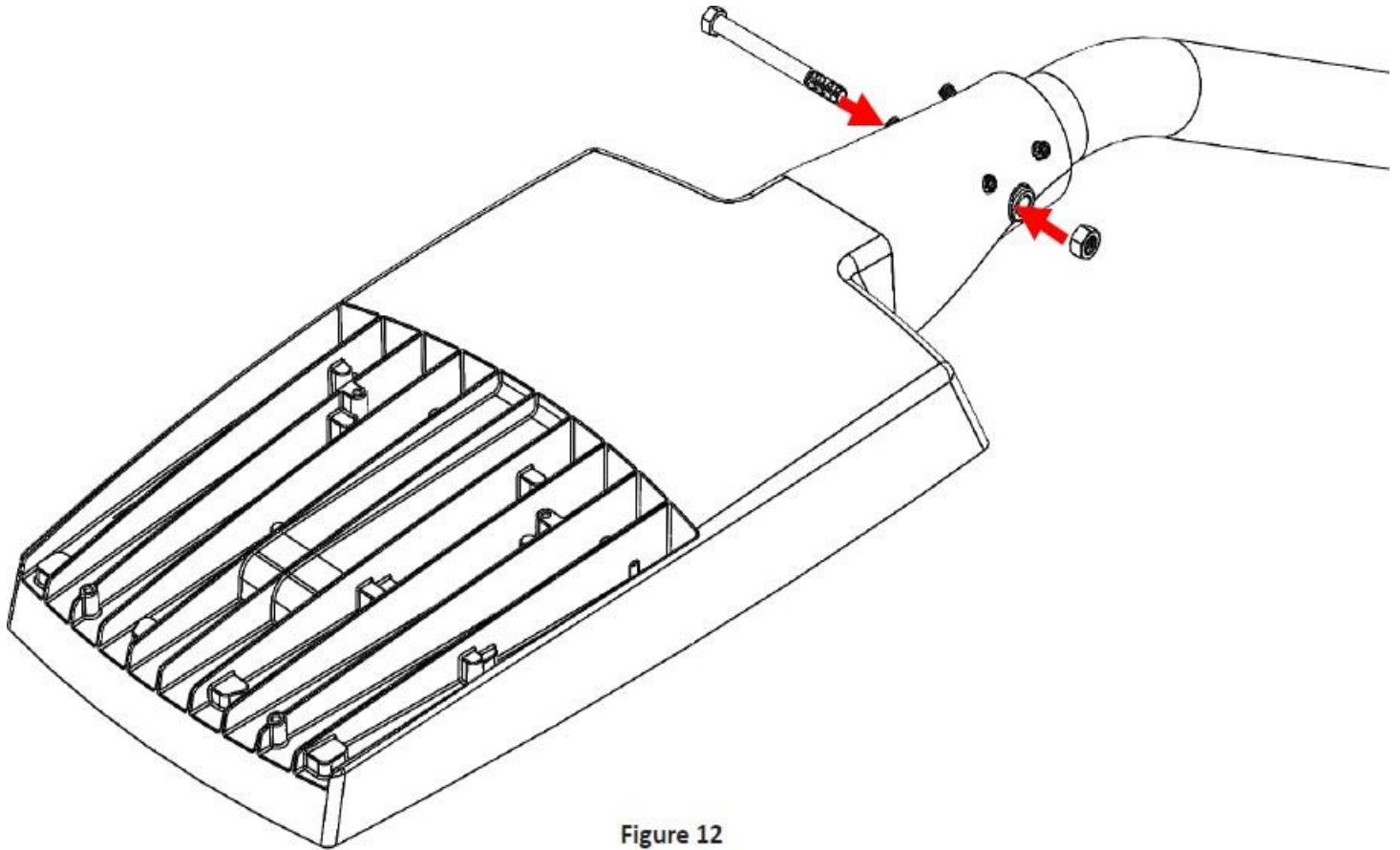


Figure 12

WARNING: USE AND PROPERLY TIGHTEN THRU-BOLT AND NUT. FAILURE TO CORRECTLY INSTALL COULD RESULT IN SERIOUS INJURY OR PROPERTY DAMAGE



©2016 Acuity Brands Lighting, Inc.
All Rights Reserved.

Lithonia Lighting Outdoor
One Lithonia Way, Conyers, GA 30012
Phone: 800-279-8041 Fax: 770-918-1209
www.lithonia.com

Part Number: IM-459 Rev E
Rev Date: 12/20/23
Page #7

Installation Instructions

RSX LED

RSXF INTEGRAL SLIPFITTER (IS) INSTALLATION ON VERTICAL TENONS (+/- 5 °)

Note: Luminaire can be tilted up to 90 degrees (maximum) above horizontal.

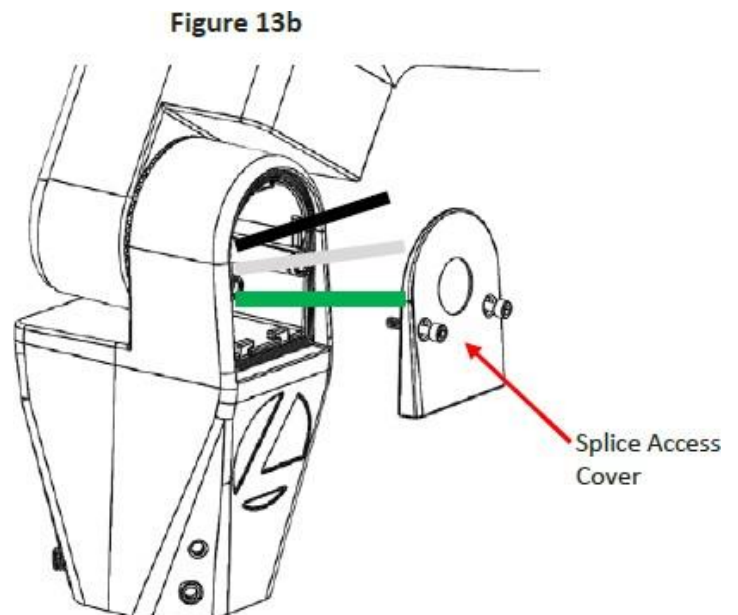
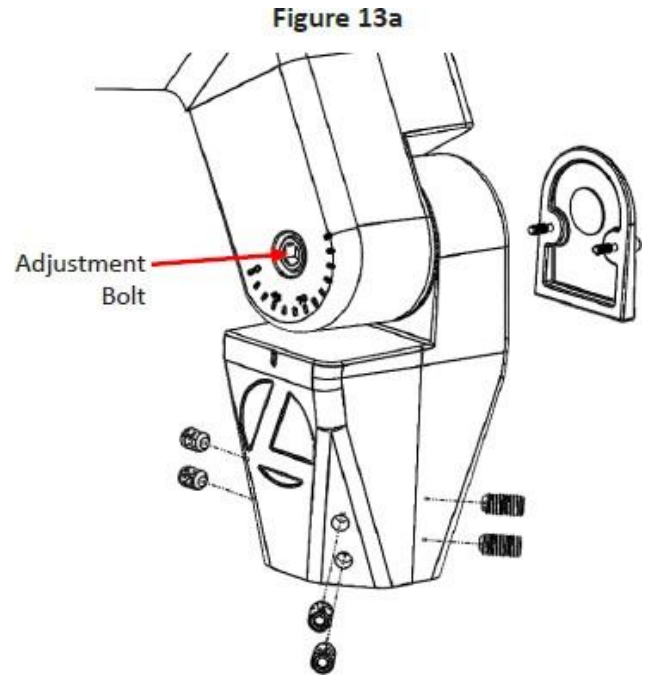
Tools Required:

- 9/64" Allen Wrench
- 5/16" Allen Wrench
- 3/8" Allen Wrench

Maximum tenon/pole diameter: 2" schedule 40 pipe (2-3/8" OD)

NOTE: This luminaire is pre-wired with UL listed supply wire leads. It is not necessary to access fixture housing to install or wire the luminaire.

1. Remove the two (2) 8-32 splice access cover fasteners from knuckle assembly, remove the splice access cover, and pull supply wire leads from knuckle cavity (See figures 13a and 13b)
2. Slip luminaire knuckle fitter over 2-3/8" \varnothing pole tenon and evenly tighten the six (6) 3/8-16 UNC knuckle tenon set screws to 13 ft-lbs, while maintaining the correct position of the luminaire
3. Cut and splice the wires. Recommended cut length is 6" for wires for ease of splicing and securing in the knuckle
4. Make all wiring connections via the supplied wire leads in accordance with NEC and local codes.
5. Push all fixture and supply wires completely within the knuckle cavity and replace the splice access cover, gasket, and two (2) 8-32 splice access cover fasteners.



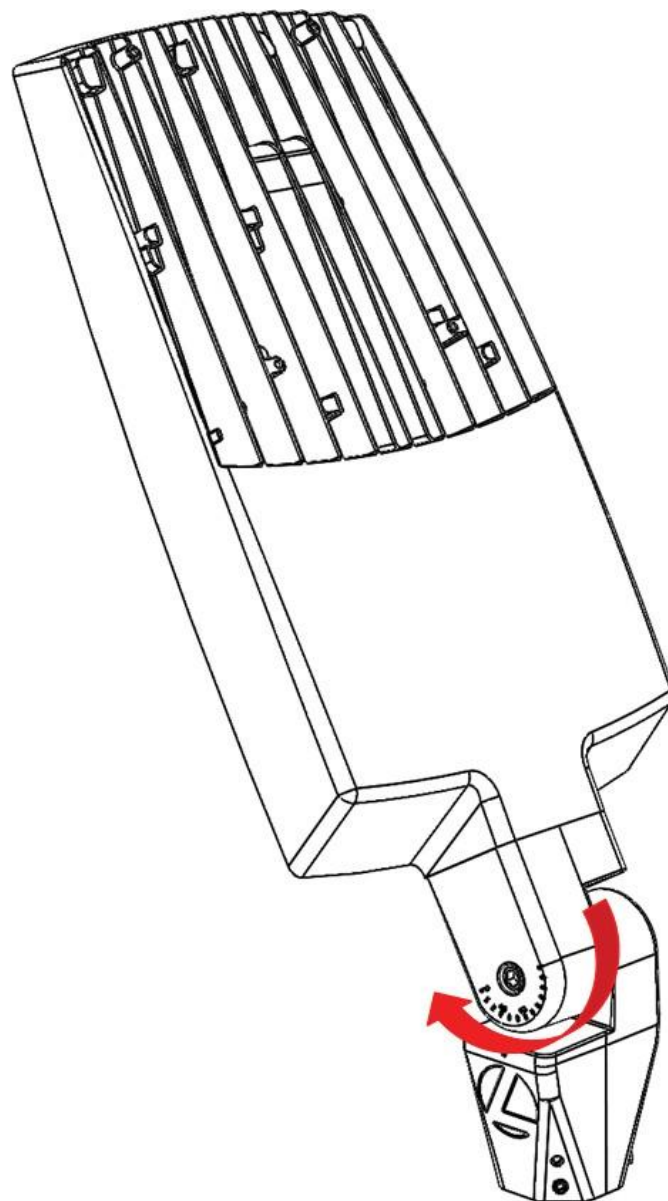
Installation Instructions

RSX LED

6. Aim fixture as required and tighten the 7/16-14 SHC knuckle adjustment bolt using an approximately 38 ft-lbs. (See figure 14) For units with photocontrol receptacle, the fixture mounting/aiming angle must be restricted from 0° to 45° from horizontal per ANSI C136.10-2010.
7. Energize the luminaire to verify its operation and proper illumination of area.

WARNING: DO NOT MOUNT THE KNUCKLE FITTER TO A TENON OR BRACKET THAT IS MORE THAN 5 DEGREES FROM VERTICAL. MOUNTING AT AN ANGLE GREATER THAN 5 DEGREES REQUIRES USE OF A PROPERLY TIGHTENED THRU-BOLT AND LOCKNUT. FAILURE TO CORRECTLY INSTALL COULD RESULT IN SERIOUS INJURY OR DEATH.

Figure 14



Installation Instructions

RSX LED

RSX WBA & WBASC INSTALLATION

Tools Required:

- 9/16" Socket wrench
- 9/64" Allen wrench
- 3/16" Allen wrench
- Flathead Screwdriver (WBASC option only)

CAUTION: APPLY A CONTINUOUS BEAD OF WEATHER – PROOF CAULKING BETWEEN MOUNTING BASE PLATE AND WALL TO ENSURE WEATHER-TIGHT INTEGRITY OF ELECTRICAL COMPONENTS (See Fig 13a or 13b)

1. Place the base plate in orientation shown in Figures 15a (WBASC) and 15b (WBA) and secure to wall with secure base plate to wall with (4) 1/4" diameter fasteners (not included with luminaire) using the (4) holes located on the outer corners of the base plate. Check the base plate to confirm that it is level and plumb in all directions (See Figure 15b). Note that the WBA and WBASC have slightly different mounting patterns for the 1/4" bolts.

2. WBASC OPTION ONLY: With the base plate securely fastened to the wall, remove the desired conduit plug(s) from the base plate using a flat head screwdriver, feed in supply wires, and attach 3/4 NPT conduit pipe.

3. Prepare the cover plate by ensuring the factory-installed, black foam gasket is in place on the backside of the cover plate (See Fig 16) NOTE: For the next steps the curved portion of the cover plate should point upwards when mounted to the wall as shown in figure 18.

Figure 15a, WBASC ONLY

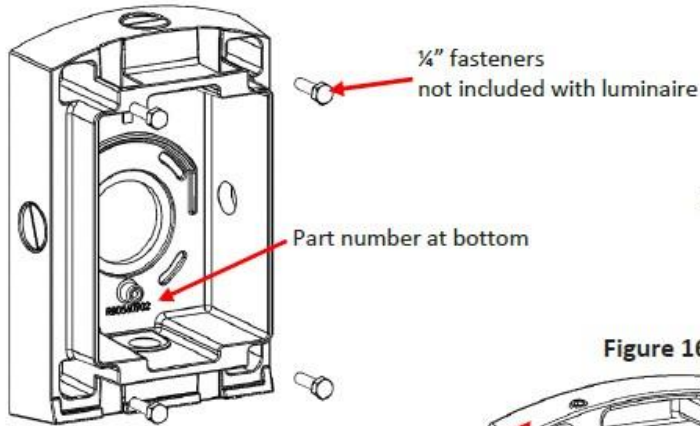


Figure 15b, WBA only

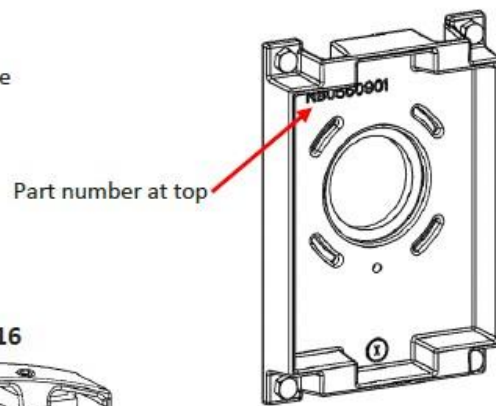
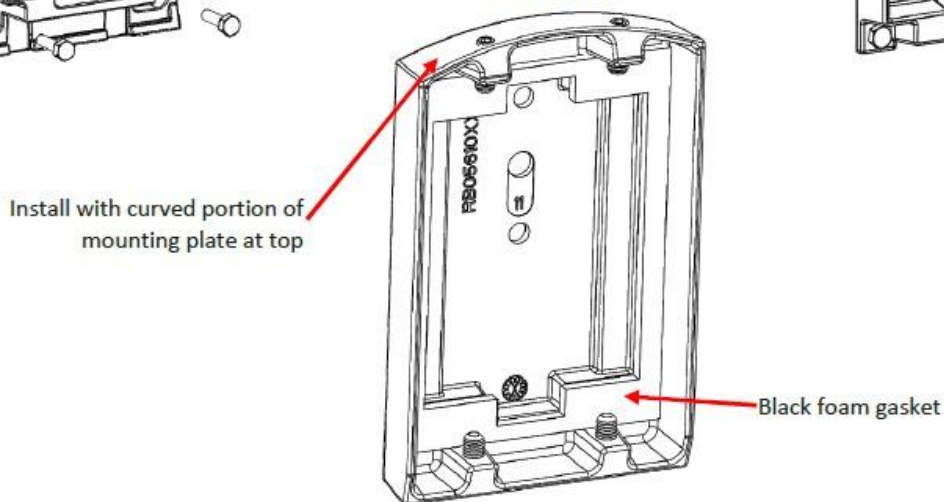


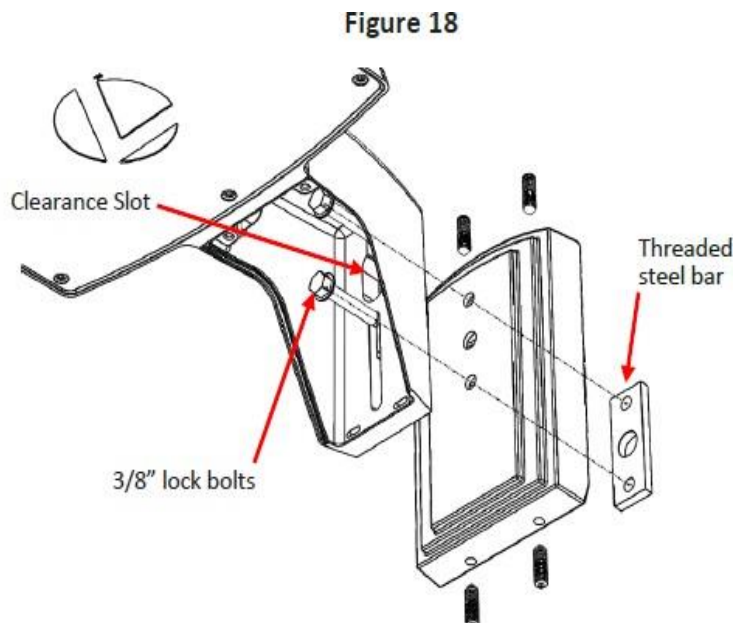
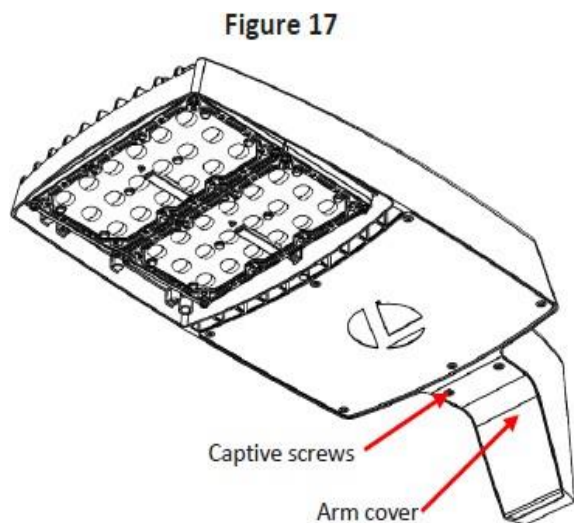
Figure 16



Installation Instructions

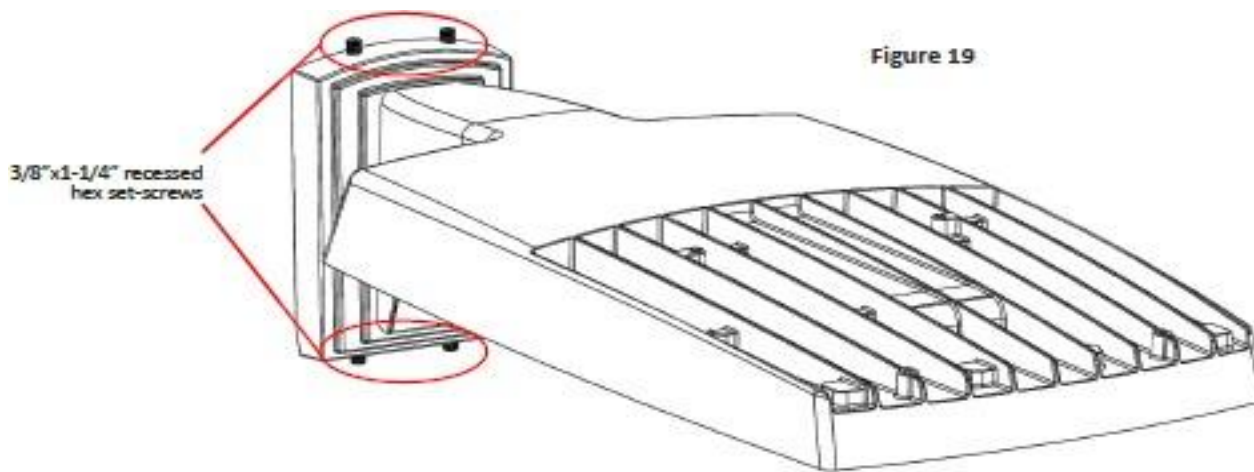
RSX LED

- Loosen the two cover screws of the SPA to access the pole mounting area (See Fig 17) and route supply wires through the clearance slot and WBA cover hole.
- Making sure that no wires are pinched, insert the 3/8" bolts (included with luminaire) through the mounting arm of the fixture housing, through the cover plate, and then thread into the threaded steel bar (See Fig 18). Tighten the two bolts with a 9/16" socket to 30 ft-lbs (overtightening can damage components and void warranties).
- Make sure no wires are pinched and tuck excess wire up into the luminaire mounting area and reinstall the SPA Cover that was removed in step 3. Tighten the two cover screws with the 9/64 Allen wrench to 18-20 in-lbs (overtightening can cause thread stripping and void all warranties).



CAUTION: THE NEXT STEPS WILL REQUIRE ASSISTANCE

- Make all wiring connections via the supplied wire leads in accordance with NEC and local codes.
- Place the entire light fixture/cover plate assembly onto the base plate (installed in step 1) and have someone tighten the top (2) 3/8" x 1-1/4" stainless steel recessed hex set screws (See Fig 19) until 3/8" to 1/4" of the screw threads are still visible, then tighten the bottom set screws.
- Now, alternating between the top and bottom set screws, gently tighten until snug (approximately one thread will remain showing on each screw).



Installation Instructions

RSX LED

AASP/AARP INSTALLATION INSTRUCTIONS

NOTE: Luminaire can be tilted up to 90 degrees above horizontal

Tools Required:

- 3/8" Socket Wrench
- 9/64" Allen wrench
- 3/8" Allen Wrench

Minimum Square Pole: 3.5" Face

Minimum Round Pole: 3.2" Diameter

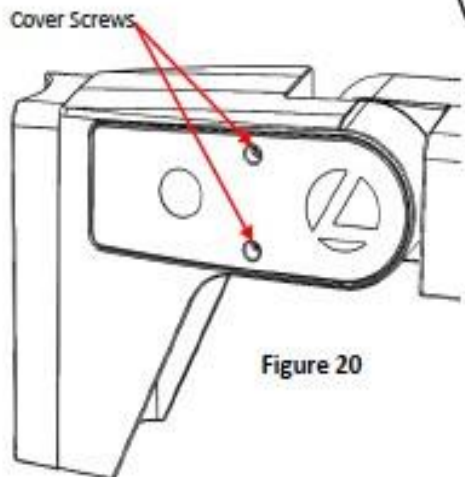
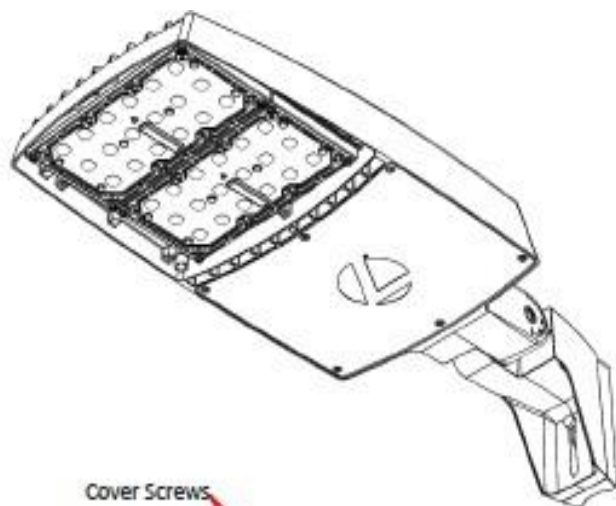


Figure 20

1. Loosen the cover screws of the arm cover (See figure 20) and remove the cover to gain access to the top half of the key-slot mounting feature.

2. Identify which mounting bar should be used to attach the luminaire to the pole. Refer to the RPA/SPA installation instructions, steps 2 through 6. Note that main difference in mounting is that the top bolt on the AASP/AARP will be inside the wiring area and the bottom bolt will be exposed. Once the luminaire is mounted securely to the pole, the angle of the luminaire can be safely adjusted.

3. If the luminaire angle will be adjusted DO NOT pull the luminaire supply wires taut – leaving slack in the input wires will make angle adjustment easier. If the luminaire angle will not be adjusted, skip to step 5.

4. Loosen the 7/16-14 adjustment bolt, reorient luminaire as desired, up to 90°, and retighten adjustment bolt to 35-40 ft-lbs (See Fig 21). For units with photocontrol receptacle, the fixture mounting angle must be restricted per ANSI C136.10 and it is recommended to not install beyond 45° from horizontal.

5. Make all wiring connections via the supplied wire leads in accordance with NEC and local codes.

6. Ensure that the arm cover gasket is still in place and place it back in the channel if it has come loose.

7. Place wires back into the arm cavity and, ensuring that no wires or tethers are going to be pinched, reattached the arm cover. Tighten the cover screws to 18-20 in-lbs.

8. Energize the luminaire to verify its operation and proper illumination of area.

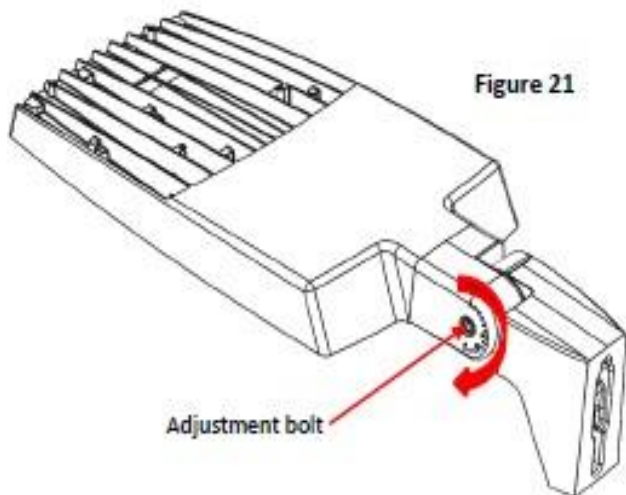


Figure 21



Installation Instructions

RSX LED

AAWB/AAWSC INSTALLATION INSTRUCTIONS

NOTE: Luminaire can be tilted up to 90 degrees above horizontal

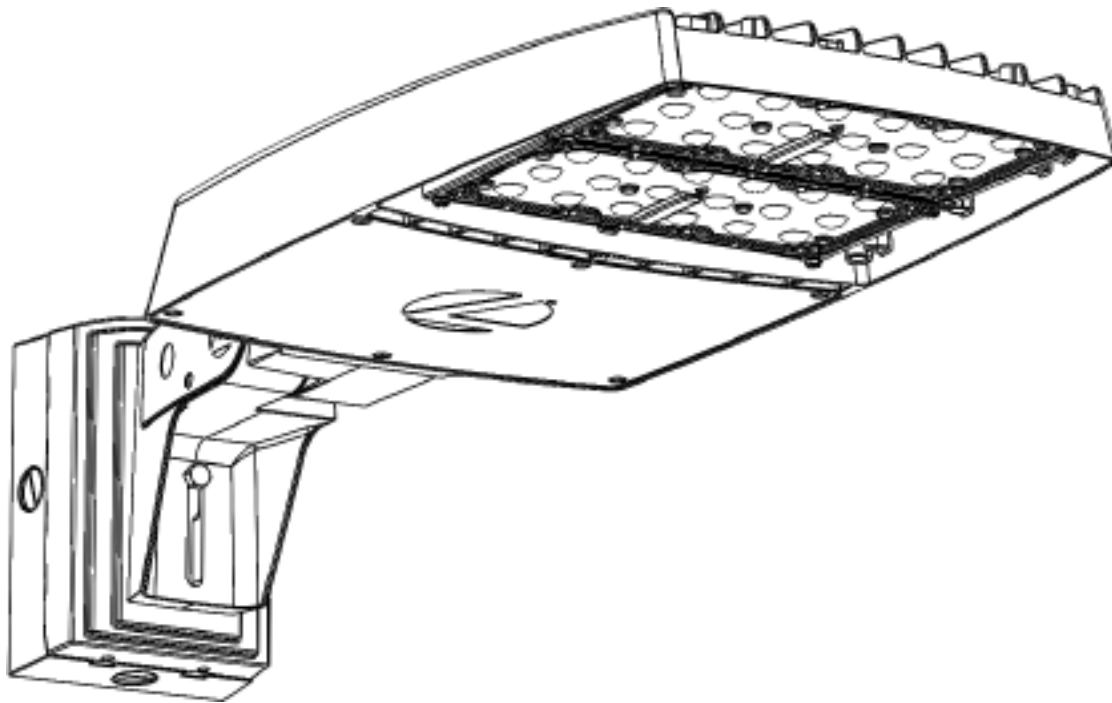
Tools Required:

- 9/64" Allen Wrench
- 5/32" Allen Wrench
- 3/16" Allen Wrench
- Flathead Screwdriver (AAWSC only)

Minimum Square Pole: 3.5" Face

Minimum Round Pole: 3.2" Diameter

CAUTION: APPLY A CONTINUOUS BEAD OF WEATHER – PROOF CAULKING BETWEEN MOUNTING BASE PLATE AND WALL TO ENSURE WEATHER-TIGHT INTEGRITY OF ELECTRICAL COMPONENTS (See Fig 15a & 15b)



1. Install the wall-mount base plate, refer to steps 1-3 outlined in the WBA/WBASC installation instructions on sheet 9. Note that the image above shows the AAWSC option.
2. Before mounting the luminaire, remove the arm cover (See figure 20 on the previous page) and unpack the luminaire input wires, if necessary, to make routing supply wires into the arm cavity easier.



©2016 Acuity Brands Lighting, Inc.
All Rights Reserved.

Lithonia Lighting Outdoor
One Lithonia Way, Conyers, GA 30012
Phone: 800-279-8041 Fax: 770-918-1209
www.lithonia.com

Part Number: IM-459 Rev E
Rev Date: 12/20/23
Page #13

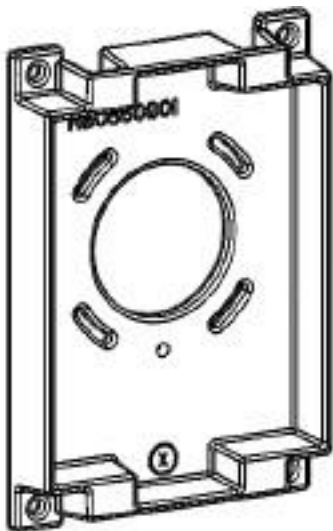


Figure 22a, AAWB only

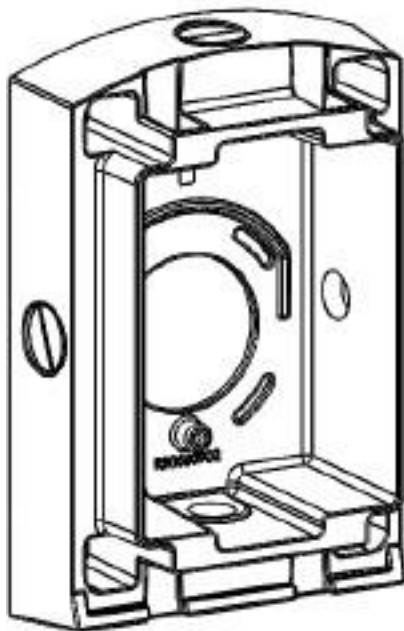


Figure 22b, AAWSC only

3. While one person supports the luminaire, route the supply wires through the mounting plate and into the arm cavity. Make all electrical connections in accordance with NEC and local codes. Ensure that wires coming out of the luminaire have some slack, this will make aiming the luminaire easier and will ensure no wires are pinched or strained when aiming.

4. Place the entire luminaire assembly onto the base plate (figures 22) and have the second person tighten the top two (2) 3/8" x 1-1/4" stainless steel recessed hex set screws (See figure 19) until 3/8" to 1/4" if the screw threads are still visible, tighten the bottom set screws to the same length.

5. Now alternating between the top and bottom sets of set screws, gently tighten until snug. If the base plate was installed level, approximately 1 threads should be visible on each set screw after all screws have been fully tightened.

6. If the luminaire aiming angle will not be adjusted, skip to the next step, otherwise loosen the 7/16-14 adjustment bolt, reorient luminaire as desired, up to 90° from horizontal, and retighten the adjustment bolt to 35-40 ft-lbs (See figure 21).

For units with photocontrol receptacle, the fixture mounting angle must be restricted per ANSI C136.10 and it is recommended to not install beyond 45° from horizontal.

7. Reattach the arm cover. Make sure that the cover gasket is securely placed in its groove and that all wires and tethers are move out of the way so that they are not pinched when the cover is put back into place. Tighten the cover screws to 18-20 in-lbs.

8. Energize the luminaire to verify its operation and proper illumination of area.

Installation Instructions
RSX LED
RSX FAO SETTING INSTRUCTIONS

NOTE: If FAO does not need to be adjusted (default setting is maximum output), install luminaire as normal.

1. Loosen six captive screws and remove RSX door to access the luminaire electronics (Fig 23). Set aside for reinstallation.

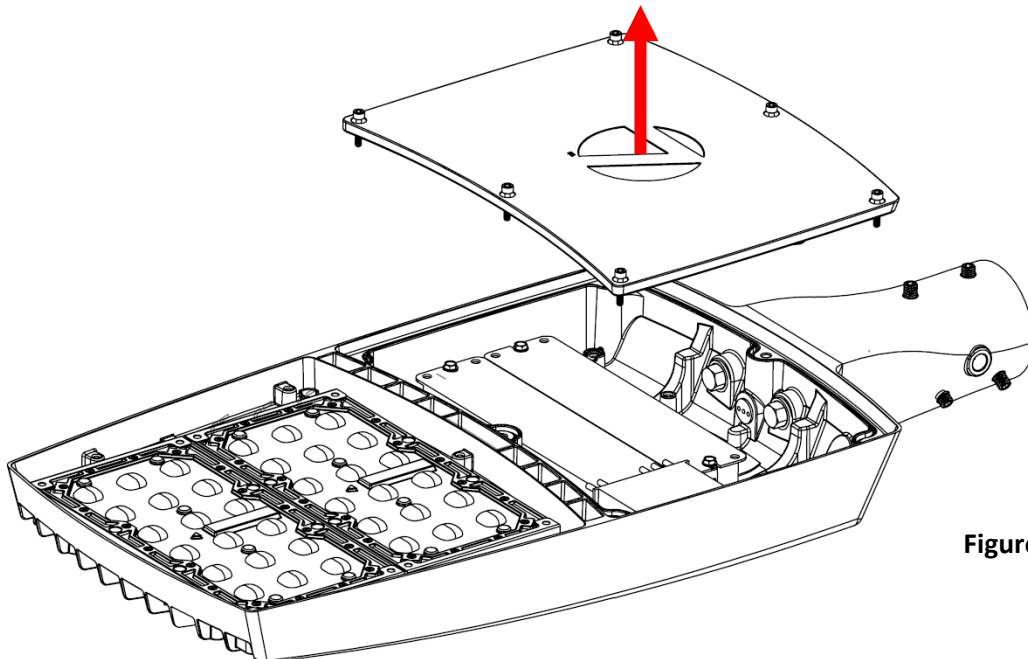
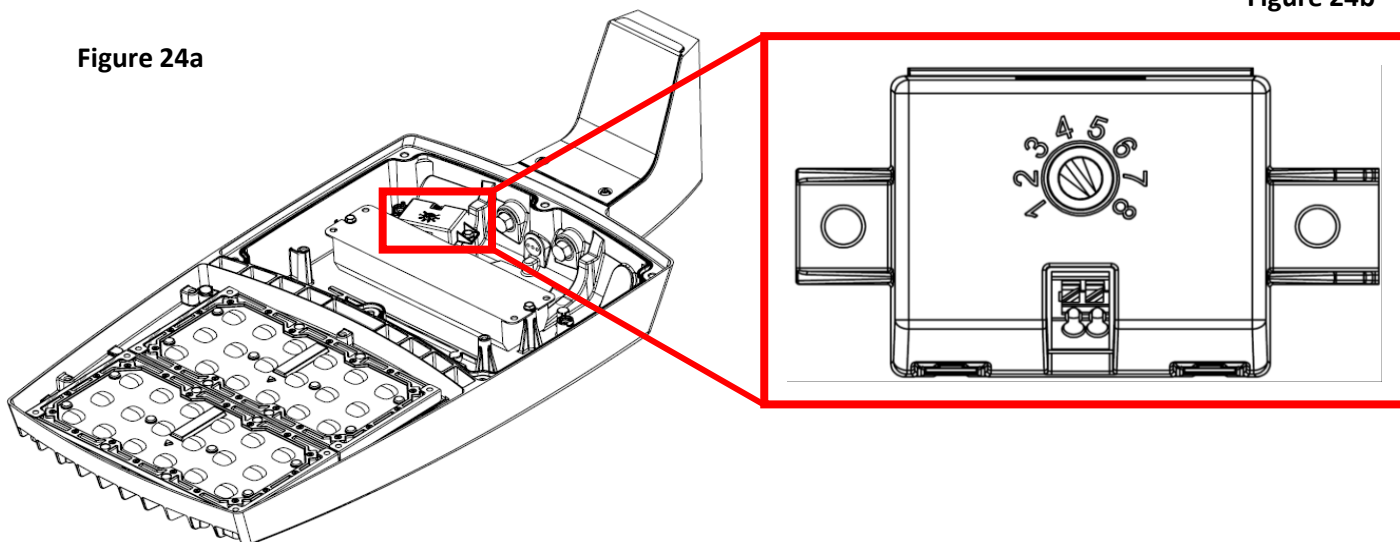


Figure 23

2. In all RSX family luminaires, the FAO module is in the approximate location shown in figure 24a. Use a flat-head screwdriver to turn the FAO dial (figure 24b). Note that position 8 is the default setting and the maximum output value (no dimming). For Contractor Select configurations, refer table 1 on the next sheet for lumen output values.

Figure 24b

Figure 24a



©2016 Acuity Brands Lighting, Inc.
All Rights Reserved.

Lithonia Lighting Outdoor
One Lithonia Way, Conyers, GA 30012
Phone: 800-279-8041 Fax: 770-918-1209

Part Number: IM-459 Rev E
Rev Date: 12/20/23

Installation Instructions

RSX LED

3. Make sure that wires and door tethers are not pinched, and that the door gasket is still snugly in its groove on the door. Re-install the mounting door that was removed in step 1, tighten the six captive screws with the 5/32 Allen wrench to 25-30 in-lbs. (overtightening can cause thread stripping and void all warranties).

Table 1 – Field Adjustable Output (FAO) Module Settings			
Fixture Size	FAO Position	Input watts (W)	*Lumens (approx.)
RSX1 LED P4	1	22	3,721
	2	38	5,990
	3	54	8,115
	4	70	10,103
	5	88	11,961
	6	105	13,672
	7	124	15,251
	8	133	16,000
RSX2 LED P6	1	41	6,966
	2	70	11,161
	3	99	15,122
	4	130	18,844
	5	161	22,326
	6	194	25,566
	7	227	28,563
	8	244	30,000
RSX3 LED P4	1	55	9,002
	2	91	14,368
	3	129	19,518
	4	167	24,448
	5	207	29,158
	6	248	33,644
	7	290	37,908
	8	312	40,000
*Values are based on the highest performance package for each fixture size			
*FAO device shipped set at maximum setting #8			
*Lumen values vary by optic type			

