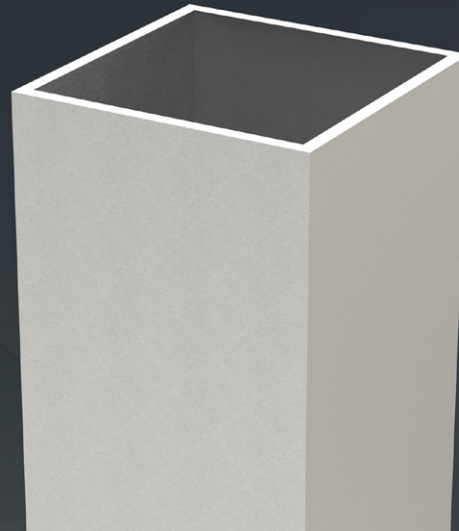


SQUARE STRAIGHT STEEL POLE



HEIGHT

10' - 35'

POLE SHAFT

The pole shaft material is a weldable grade hot rolled commercial quality carbon steel tubing with a minimum yield of 46,000 psi. Conforms to ASTM A500 Grade B Standards. Poles have ground lug welded inside hand-hole opposite side of the hand-hole. Pole shaft is welded to base plate on top and bottom of base plate.

BASE PLATE

The Base Plate is manufactured from structural hot rolled steel that meets or exceeds a minimum yield strength of 36,000 psi, conforms the ASTM-A36 standards. Base Plate vary in size from 1" thick for poles 21 feet and over, 3/4" thick for poles 10 to 20 feet.

ANCHOR BOLTS

All anchor bolts are hot dipped galvanized steel and come with two galvanized nuts and washers per bolt. Minimum yield strength 55,000 psi. Anchor bolts are not included for Custom Bolt Circle.

BASE COVER

All base covers are fabricated two-piece 6063 aluminum and powder coated to match the pole.

HAND-HOLE

A reinforced hand-hole is 12" on center from the base plate and is constructed of 3"x 5" rectangular steel tubing which is welded to pole shaft for added strength. The hand-hole covers are provided with internal bridge support and powder coated to match pole finish.

POLE CAP

All poles come with a removable polymer pole cap installed. All pole caps are black finish. Aluminum Pole Cap option is painted to match pole.

FINISH

All poles are treated with shot blast media for a near white finish, power blasted with 100 psi prior to powder coat application. Electrostatically applied AAMA 2604 polyester powder coat with a 3 to 5 mil thickness for maximum adherence.

MARINE GRADE FINISH

All poles are washed through a 5-stage cleaning system with a deionized rinse, a 3 to 5 mils zinc rich durable polyester primer powder coat, followed by a 3 to 5 mils super durable AAMA 2604 polyester powder coat finish.

Recommended for applications near the coastline or in demanding environments.

GALVANIZED FINISH

All poles are Hot Dipped Galvanized in a multi stage process. Galvanizing Specification, Zinc (Hot Dipped Galvanized) per ASTM A 123/A 123M - 02

Zinc coatings on threaded materials shall conform to specification A 153 /A 153M. The coating shall be continuous and reasonably smooth and uniform in thickness and in weight.

Galvanizing Adherence - The Zinc coating shall withstand handling consistent with the nature and thickness of the coating and normal use of the article without peeling or flaking.

Provides the most protection against the elements in coastal and harsh environments.

GALVANIZED UNDER POWDER

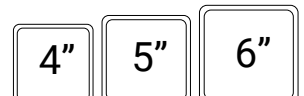
Galvanized Under Powder (GUP) adheres to above galvanized specification, and the second stage is a light sand blast on the outside of the pole, third stage is a 3-5 mils AAMA 2604 polyester powder coat finish for maximum adherence.

VIBRATION DAMPENER

The Vibration Dampener is factory installed and consists of a rugged galvanized chain coated with heavy duty polyester tubing that is factory secured at the bottom 2-3rds of the pole and can optionally be secured in the field by a contractor at the base during installation.

BUY AMERICAN

To ensure the latest BAA/TAA/BABA Standards are being met, please select BAA, TAA, or BABA in the options section. Please contact the factory before placing an order for any NLS products requesting BAA (Buy American Act), TAA (Trade American Act), or BABA (Build America, Buy America).



Project Name:

Type:

SSSP ORDERING GUIDE

Cat#	Height	Pole Dimension	Gauge	Base Pattern
Square Straight Steel Pole (SSSP)	10' (10)	4" Square (4S)	.120 Wall Thickness (11G)	(10'-20') 8.187"- 10.187" Bolt Circle (9BC)
	12' (12)	5" Square (5S)	.188 Wall Thickness (7G)	(22'-35') 10"- 14" Bolt Circle (12BC)
	14' (14)	6" Square (6S) ³		Custom Bolt Circle (CBC)
	15' (15)			* Consult Factory
	16' (16)			
	18' (18)			
	20' (20)			
	22' (22)			
	24' (24)			
	25' (25)			
	28' (28)			
	30' (30)			
	32' (32)			
	35' (35)			

Mounting	Color	Bolts	Options
Single (SGL)	Bronze Textured (BRZ)	3/4" x 30" (3430)	GFI Kit (GFI20A) ^{4, 5, 6} 20 Amp Weather Proof Receptacle
Double (D-90) (D-180)	White Textured (WHT)	1" x 36" (136)	GFI Provision Only (PROV) ^{5, 6}
Triple (T-90)	Smooth White Gloss (SWT)	Less Anchor Bolts (LAB)	Galvanized (GLV)
Quad (QD)	Silver Metallic (SVR)		Galvanized Under Powder (GUP)
No Drill (ND)	Black Textured (BLK)		1/2" Coupling (COUP) ⁵ *Specify Location
*Tenon Option Tenon	Smooth Black Gloss (SBK)		Vibration Dampener (VD)
2-3/8" Round (T2R)	Graphite Textured (GPH)		Extra Hand Hole (XHH) ⁵ *Specify Location
3" Round (T3R)	Grey Textured (GRY)		Marine Grade Finish (MGF)
3-1/2" Round (T312R)	Green Textured (GRN)		UL Certified with label (UL) ¹
4-1/2" Round (T412R)	Hunter Green Textured (HGN)		Aluminum Pole Cap (APC) ²
3 1/2" Square (T312S)	Custom (CS)		Buy American Act (BAA) ²
4 1/2" Square (T412S)			Trade Agreement Act (TAA) ²
5 1/2" Square (T512S)			Build America Buy American (BABA) ²

NOTES:

- Aluminum Pole Cap must be selected for UL Certified Pole Option
- Consult Factory
- For 6S Pole, minimum bolt circle 10.19"
- Standard weatherproof cover comes standard with option.
For lockable cover requests, please contact factory
- Specify the Height (in feet) from ground level and degree orientation
from wire access slot.
- 120V Only



701 Kingshill Place, Carson, CA 90746
Call Us Today (310) 341-2037

nlsighting.com

PRODUCT SPECIFICATIONS

Max. allowable EPA - SSSP poles (per AASHTO LRFDLTS-1)																														
Catalog Number	Shaft Length, ft	Wall thickness, in.	Shaft dia., in.	Base Plate, in.	Bolt Circle, in.	Bolts	80 mph	Max. wt. (lb)	90 mph	Max. wt. (lb)	100 mph	Max. wt. (lb)	110 mph	Max. wt. (lb)	115 mph	Max. wt. (lb)	120 mph	Max. wt. (lb)	130 mph	Max. wt. (lb)	140 mph	Max. wt. (lb)	150 mph	Max. wt. (lb)	160 mph	Max. wt. (lb)	170 mph	Max. wt. (lb)	180 mph	Max. wt. (lb)
SSSP-10-4S-11G-9BC-3430	10	0.120	4	9" sq.	9	3/4"x30"	20.0	250	20.0	250	20.0	250	20.0	250	20.0	250	20.0	250	20.0	250	20.0	250	17.8	250	15.6	250	13.2	250	11.4	250
SSSP-12-4S-11G-9BC-3430	12	0.120	4	9" sq.	9	3/4"x30"	20.0	250	20.0	250	20.0	250	20.0	250	20.0	250	20.0	250	19.5	250	16.3	250	13.7	250	11.9	250	10.1	250	8.7	218
SSSP-14-4S-11G-9BC-3430	14	0.120	4	9" sq.	9	3/4"x30"	20.0	250	20.0	250	20.0	250	20.0	250	20.0	250	19.3	250	15.9	250	13.1	250	10.9	250	9.1	227	7.3	183	6.3	158
SSSP-15-4S-7G-9BC-3430	15	0.188	4	9" sq.	9	3/4"x30"	20.0	250	20.0	250	20.0	250	20.0	250	20.0	250	20.0	250	17.7	250	14.7	250	11.9	250	9.9	248	8.3	208	6.9	173
SSSP-16-4S-11G-9BC-3430	16	0.120	4	9" sq.	9	3/4"x30"	20.0	250	20.0	250	20.0	250	18.1	250	16.1	250	14.7	250	11.9	250	9.7	242	7.9	198	6.1	153	5.1	128	4.1	103
SSSP-18-4S-11G-9BC-3430	18	0.120	4	9" sq.	9	3/4"x30"	20.0	250	20.0	250	19.2	250	15.2	250	13.2	250	12.0	250	9.2	230	7.2	180	5.6	140	4.6	115	3.2	80	2.2	60
SSSP-20-4S-11G-9BC-3430	20	0.120	4	9" sq.	9	3/4"x30"	20.0	250	20.0	250	16.1	250	12.3	250	10.7	250	9.7	242	7.1	178	5.3	133	3.9	98	2.7	68	1.7	60	0.9	60
SSSP-20-4S-7G-9BC-3430	20	0.188	4	9" sq.	9	3/4"x30"	20.0	250	20.0	250	20.0	250	15.7	250	14.1	250	12.5	250	9.5	238	7.7	193	5.7	143	4.3	108	3.1	78	2.1	60
SSSP-20-5S-11G-9BC-3430	20	0.120	5	9" sq.	9	3/4"x30"	20.0	250	20.0	250	20.0	250	19.3	250	16.9	250	15.0	250	11.6	250	9.0	226	6.9	172	5.1	128	3.7	92	2.5	63
SSSP-20-5S-7G-9BC-3430	20	0.188	5	9" sq.	9	3/4"x30"	20.0	250	20.0	250	20.0	250	20.0	250	20.0	250	20.0	250	17.9	250	14.4	250	11.6	250	9.3	232	7.4	184	5.8	144
SSSP-22-4S-11G-12BC-136	22	0.120	4	12" sq.	12	1"x36"	20.0	250	16.7	250	12.4	250	9.2	231	7.9	198	6.8	169	4.9	123	3.4	85	2.2	60	1.2	60	0.4	60	0.0	-
SSSP-22-4S-7G-12BC-136	22	0.188	4	12" sq.	12	1"x36"	20.0	250	20.0	250	19.2	250	14.8	250	13.0	250	11.5	250	8.9	223	6.8	171	5.2	130	3.8	96	2.7	68	1.8	60
SSSP-22-5S-11G-12BC-136	22	0.120	5	12" sq.	12	1"x36"	20.0	250	20.0	250	19.3	250	14.6	250	12.7	250	11.0	250	8.2	206	6.0	151	4.2	106	2.8	71	1.6	60	0.6	60
SSSP-22-5S-7G-12BC-136	22	0.188	5	12" sq.	12	1"x36"	20.0	250	20.0	250	20.0	250	20.0	250	20.0	250	20.0	250	15.9	250	12.6	250	10.0	250	7.9	197	6.1	152	4.6	116
SSSP-24-4S-11G-12BC-136	24	0.120	4	12" sq.	12	1"x36"	19.6	250	14.0	250	10.4	250	7.2	180	6.0	150	5.2	130	3.2	80	1.8	60	1.0	60	0.0	-	0.0	-	0.0	-
SSSP-24-4S-7G-12BC-136	24	0.188	4	12" sq.	12	1"x36"	20.0	250	20.0	250	16.4	250	12.4	250	10.8	250	9.4	234	7.0	175	5.1	128	3.6	90	2.4	60	1.4	60	0.5	60
SSSP-24-5S-11G-12BC-136	24	0.120	5	12" sq.	12	1"x36"	20.0	250	20.0	250	16.2	250	11.9	250	10.1	250	8.6	215	6.1	152	4.1	101	2.4	61	1.1	60	0.0	-	0.0	-
SSSP-24-5S-7G-12BC-136	24	0.188	5	12" sq.	12	1"x36"	20.0	250	20.0	250	20.0	250	20.0	250	19.1	250	16.9	250	13.1	250	10.1	250	7.7	192	5.8	144	4.1	103	2.7	68
SSSP-25-4S-11G-12BC-136	25	0.120	4	12" sq.	12	1"x36"	18.2	250	13.2	250	9.4	235	6.6	165	5.4	135	4.4	110	2.8	70	1.2	60	0.4	60	0.0	-	0.0	-	0.0	-
SSSP-25-4S-7G-12BC-136	25	0.188	4	12" sq.	12	1"x36"	20.0	250	20.0	250	15.1	250	11.3	250	9.8	244	8.4	210	6.1	153	4.3	108	2.9	71	1.7	60	0.7	60	0.0	-
SSSP-25-5S-11G-12BC-136	25	0.120	5	12" sq.	12	1"x36"	20.0	250	20.0	250	14.7	250	10.6	250	9.0	224	7.5	188	5.1	127	3.1	78	1.6	60	0.3	60	0.0	-	0.0	-
SSSP-25-5S-7G-12BC-136	25	0.188	5	12" sq.	12	1"x36"	20.0	250	20.0	250	20.0	250	20.0	250	17.6	250	15.4	250	11.8	250	8.9	223	6.7	166	4.7	118	3.2	80	1.9	60
SSSP-26-4S-11G-12BC-136	26	0.120	4	12" sq.	12	1"x36"	17.2	250	11.8	250	8.4	210	5.4	135	4.6	115	3.4	85	1.8	60	0.8	60	0.0	-	0.0	-	0.0	-	0.0	-
SSSP-26-4S-7G-12BC-136	26	0.188	4	12" sq.	12	1"x36"	20.0	250	19.0	250	14.0	250	10.3	250	8.8	220	7.5	187	5.3	133	3.6	89	2.2	60	1.0	60	0.1	60	0.0	-
SSSP-26-5S-11G-12BC-136	26	0.120	5	12" sq.	12	1"x36"	20.0	250	18.8	250	13.4	250	9.5	237	7.8	196	6.5	161	4.1	103	2.3	60	0.8	60	0.0	-	0.0	-	0.0	-
SSSP-26-5S-7G-12BC-136	26	0.188	5	12" sq.	12	1"x36"	20.0	250	20.0	250	20.0	250	18.6	250	16.2	250	14.1	250	10.6	250	7.9	196	5.6	141	3.8	95	2.3	60	1.0	60
SSSP-28-4S-7G-12BC-136	28	0.188	4	12" sq.	12	1"x36"	20.0	250	16.4	250	11.8	250	8.4	210	7.0	175	5.8	144	3.8	94	2.2	60	0.9	60	0.0	-	0.0	-	0.0	-
SSSP-28-5S-11G-12BC-136	28	0.120	5	12" sq.	12	1"x36"	20.0	250	16.0	250	11.0	250	7.3	182	5.8	144	4.5	112	2.3	60	0.6	60	0.0	-	0.0	-	0.0	-	0.0	-
SSSP-28-5S-7G-12BC-136	28	0.188	5	12" sq.	12	1"x36"	20.0	250	20.0	250	20.0	250	15.7	250	13.5	250	11.6	250	8.4	209	5.8	145	3.7	93	2.0	60	0.6	60	0.0	-
SSSP-28-6S-7G-12BC-136	28	0.188	6	12" sq.	12	1"x36"	20.0	250	20.0	250	20.0	250	19.8	250	17.0	250	14.6	250	10.6	250	7.4	185	4.9	121	2.7	68	1.0	60	0.0	-
SSSP-30-5S-11G-12BC-136	30	0.120	5	12" sq.	12	1"x36"	19.9	250	13.4	250	8.7	218	5.3	132	3.9	98	2.7	67	0.6	60	0.0	-	0.0	-	0.0	-	0.0	-	0.0	-
SSSP-30-5S-7G-12BC-136	30	0.188	5	12" sq.	12	1"x36"	20.0	250	20.0	250	18.2	250	13.2	250	11.1	250	9.3	233	6.3	157	3.9	98	2.0	60	0.4	60	0.0	-	0.0	-
SSSP-30-6S-7G-12BC-136	30	0.188	6	12" sq.	12	1"x36"	20.0	250	20.0	250	20.0	250	16.6	250	14.0	250	11.8	250	8.0	201	5.1	126	2.7	66	0.7	60	0.0	-	0.0	-
SSSP-32-5S-7G-12BC-136	32	0.188	5	12" sq.	12	1"x36"	20.0	250	20.0	250	17.5	250	13.0	250	11.2	250	9.6	239	6.9	173	4.8	119	3.1	77	1.7	60	0.6	60	0.0	-
SSSP-32-6S-7G-12BC-136	32	0.188	6	12" sq.	12	1"x36"	20.0	250	20.0	250	20.0	250	16.4	250	14.1	250	12.1	250	8.8	219	6.2	154	4.0	101	2.3	60	0.9	60	0.0	-
SSSP-35-5S-7G-12BC-136	35	0.188	5	12" sq.	12	1"x36"	20.0	250	19.3	250	13.8	250	9.6	240	8.0	199	6.5	162	4.1	102	2.1	60	0.6	60	0.0	-	0.0	-	0.0	-
SSSP-35-6S-7G-12BC-136	35	0.188	6	12" sq.	12	1"x36"	20.0	250	20.0	250	17.3	250	12.2	250	10.1	250	8.3	207	5.3	132	2.9	72	1.0	60	0.0	-	0.0	-	0.0	-
SSSP-40-5S-7G-12BC-136	40	0.188	5	12" sq.	12	1"x36"	20.0	250	13.2	250	8.4	210	4.8	120	3.3	83	2.0	60	0.0	-	0.0	-	0.0	-	0.0	-	0.0	-	0.0	-
SSSP-40-6S-7G-12BC-136	40	0.188	6	12" sq.	12	1"x36"	20.0	250	16.7	250	10.7	250	6.2	155	4.4	110	2.8	70	0.1	60	0.0	-	0.0	-	0.0	-	0.0	-	0.0	-

*Pole Assemblies With EPA>9.0 Require Specific Review

CAUTION: Installation of poles without luminaire(s) will compromise pole strength. Any accessories attached to the pole, or other modifications done in the field, will compromise the pole strength and may result in pole failure. Wind load evaluations and provisions for appendages such as banner arms, signage, cameras, etc., must be evaluated and approved by the factory prior to placing an order. Additional evaluation and approval should be performed by the customer's local structural engineer on the project.

*Anchor Bolts are NOT included with Custom Bolt Circle.
*Do NOT pour concrete referencing this drawing. Consult Factory.

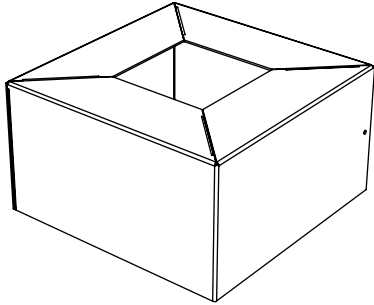
*All wind loading calculations are based on sustained wind force plus an additional 1.3 gust.



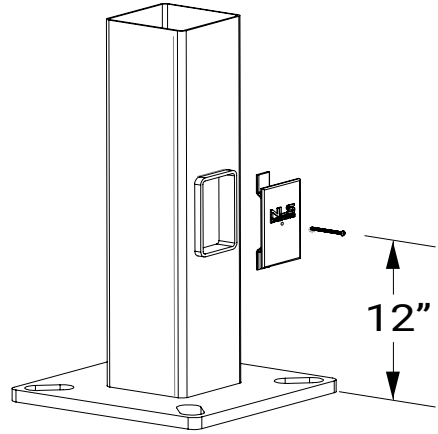
701 Kingshill Place, Carson, CA 90746
Call Us Today (310) 341-2037

nlsighting.com

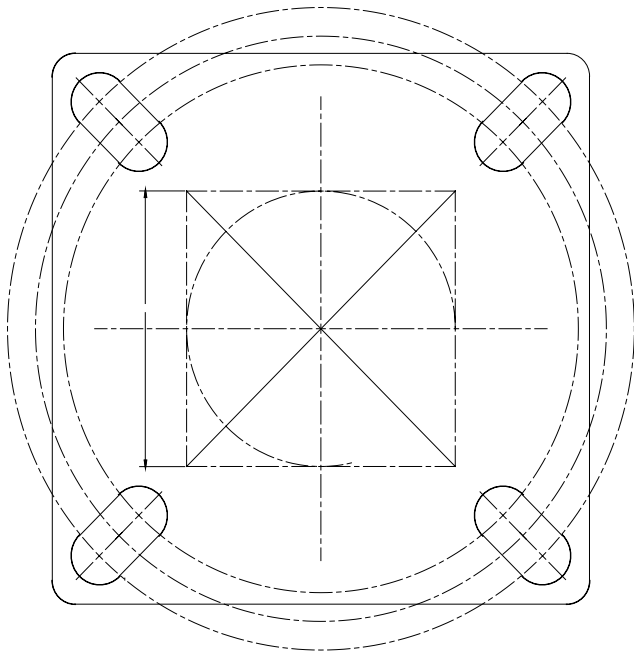
PRODUCT SPECIFICATIONS



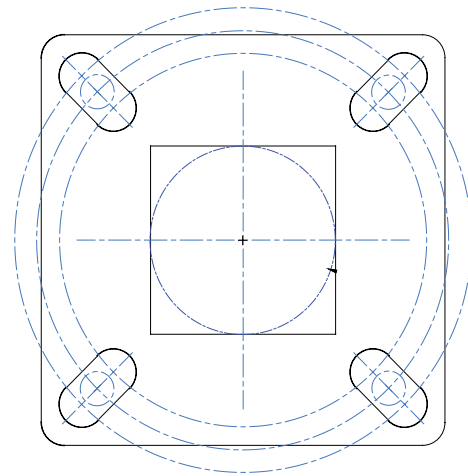
BASE COVER



BASE DETAIL



12" BASE DETAIL



9" BASE DETAIL

PRODUCT SPECIFICATIONS

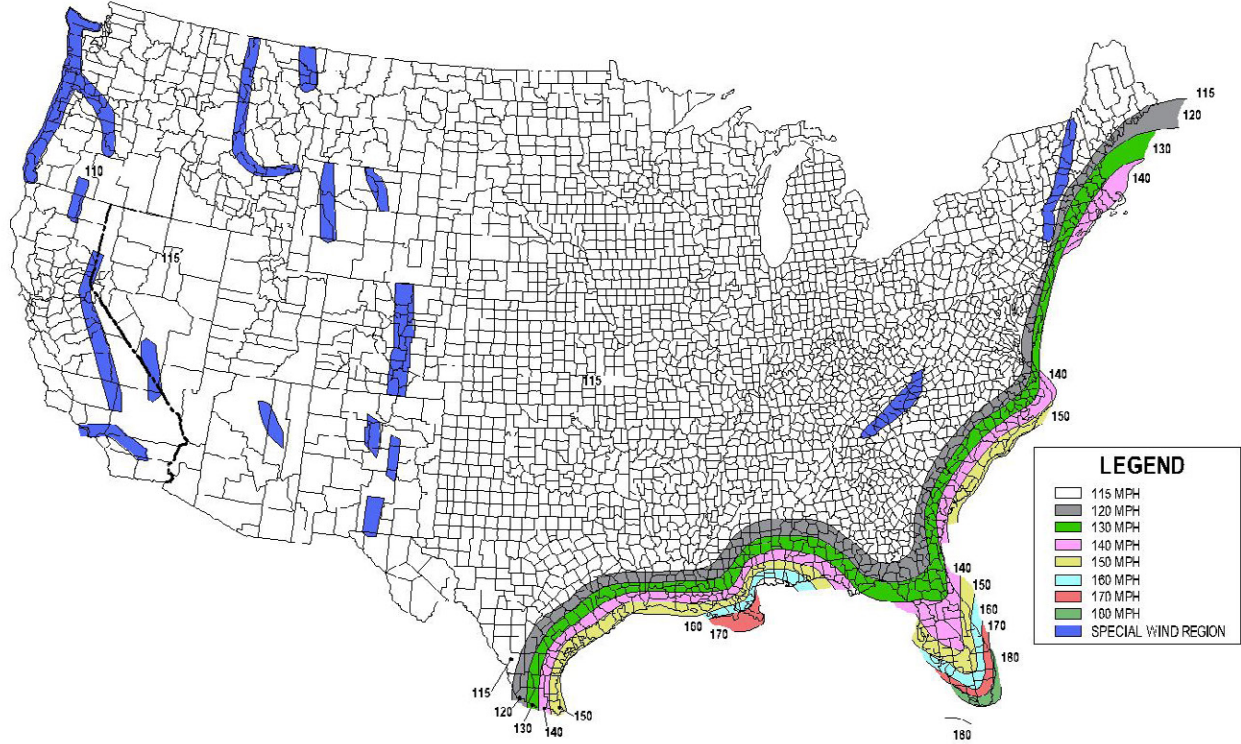


FIG. 3.8-1b - 700-Year MRI Basic Wind Speed, mph (AASHTO LRFDLTS-1)

- 1) All wind load calculations are based on sustained wind force plus and additional 1.3 gust
- 2) Wind Map is to be used as a reference only. Please coordinate with local agencies for further review.
- 3) Wind Map values are based on a 50 year mean recurrence. These values do not account for severe conditions, such as hurricanes, tornadoes, etc...
- 4) For review of poles with additional configurations (arms, banners, shorter/longer pole lengths, etc...), please contact factory.

BUY AMERICAN OPTION


While all of the NLS Lighting products listed in this document qualify for the Buy America(n) Act of 1933, we reserve the right to change our listings without notice.

The information provided above is for general informational purposes only. We encourage you to consult legal professionals for advice particular to your projects concerning BAA, TAA, BABA or Buy America.


Additional NLS Products that meet BAA, TAA standards can be found at the following link:

[https://nslighting.com/wp-content/uploads/cs/NLS_BuyAmerica\(n\).pdf](https://nslighting.com/wp-content/uploads/cs/NLS_BuyAmerica(n).pdf)


MOUNTING CONFIGURATION




Single
(SGL)




Double
(D-90)



Double
(D-180)



Triple
(T-90)



Quad
(QD)