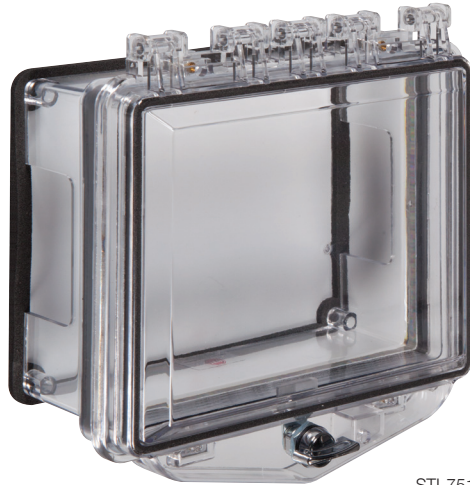


# STI POLYCARBONATE ENCLOSURE



STI-7510A



STI-7511D

## PRODUCT OVERVIEW

Multipurpose lockable enclosure for a wide range of larger size devices, components and instruments, such as keypads, annunciators and automated external defibrillators (AEDs) which require protection from vandalism, accidental damage, as well as the elements, such as dirt and grime. Spacers, integrated hinge and covers are formed from tough polycarbonate material. The polycarbonate enclosures are backed by a three year guarantee against breakage and damage in normal use. STI enclosure is lockable with either a key or thumb lock.

## KEY FEATURES

### General Information

- Protection for large units against physical damage, grime and severe environments.
- Can be used over volume or lighting controls.
- Each protected unit can be clearly seen and quickly identified.
- Three year guarantee against breakage of polycarbonate in normal use.

### Construction

- 94V-2 flammability rating.
- Cover, integrated hinge and spacers are formed from tough polycarbonate material.

### Installation

- Fast and easy installation.
- Mounting hardware and gaskets are included.
- Typical working properties of polycarbonate are -40° to 250°F (-40° to 121°C).

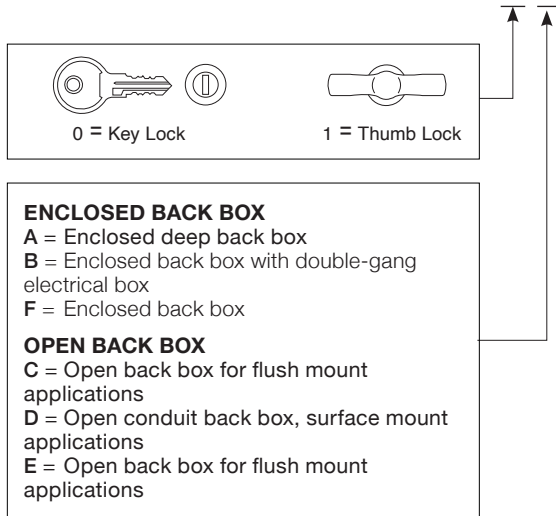
### Options

- Key or thumb lock available.

# STI Polycarbonate Enclosure

Dimensions and Technical Information

## BUILD YOUR MODEL STI-751



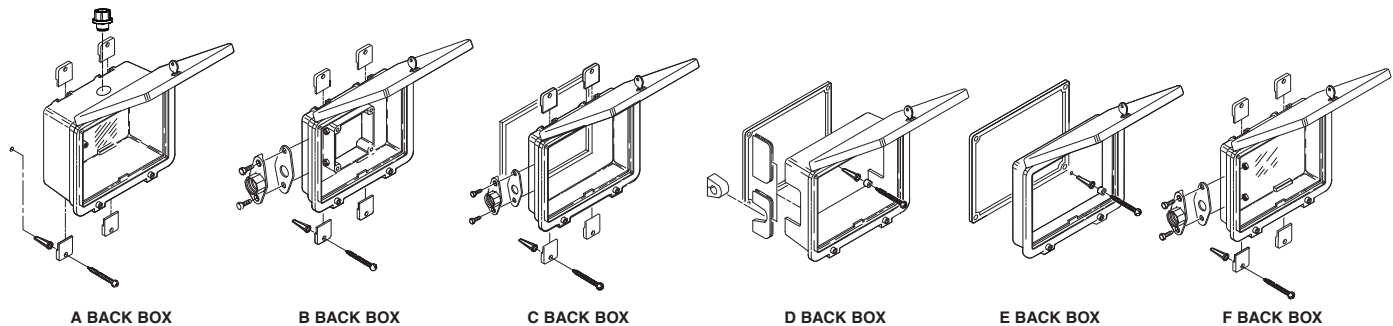
**STI-7510 and STI-7511 with back box "A", "E" or "F" also available in white polycarbonate. Add "-OW" to the part number (i.e. STI-7510A-OW).**

### Accessories

- KIT-H18021 NEMA 4X** 3/4" rigid conduit hub for "A" back box  
**KIT-H18054** Two replacement keys #CH751  
**KIT-314** Adapter plate for "A", "C", and "F" series  
**KIT-6297B20** 3/4" conduit hub for "B", "C" and "F" back boxes
- STI-1283\*** Backplate for "D" and "E" back boxes  
**STI-3003** Conduit Gasket

\*Recommended for use on unstable or uneven surfaces and weather applications.

**NOTE:** Below pictures illustrate back box differences.



## APPROVALS & WARRANTY

### TESTING

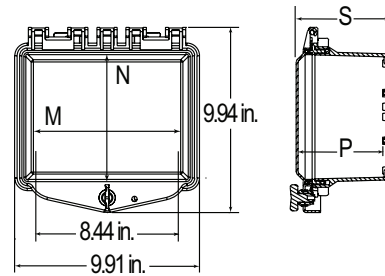
- STI-7510E-OW and STI-7511E-OW  
 · UL Recognized Component  
 · For use on a flat surface of Type 3R industrial control panels

### WARRANTY

Three year guarantee against breakage of polycarbonate in normal use.

### NOTICE

STI recommends replacement of gaskets every five years for outdoor applications.



STI-7510/7511	
B	
A	M N P S
C	A 8.45 5.91 4.54 5.17
K	B 8.56 5.91 1.74 3.01
	C 8.56 5.91 2.38 3.01
B	D 7.43 5.44 3.93 4.04
O	E 7.43 5.44 2.15 2.26
X	F 8.56 5.91 2.38 3.01

Dimensions in inches



**Safety Technology International**

2306 Airport Road info@sti-usa.com  
 Waterford, MI www.sti-global.com  
 48327, USA Tel:248-673-9898

Taylor House  
 34 Sherwood Rd., Bromsgrove,  
 Worcs., B60 3DR, England

info@sti-emea.com  
 www.sti-global.com  
 Tel: +44 (0) 1527 520 999

Unit 7A Lockheed Avenue  
 Airport Business Park  
 Waterford X91 HWF2 Ireland