



LED Wattage Chart

Drive Current	32L	48L	64L
700 milliamps	71W	104W	136W
1050 milliamps	106W	156W	205W

FORM AND FUNCTION

- Sleek, low profile housing
- Engineered for optimum thermal management
- Low depreciation rate
- Optical system designed for:
 - Parking Lots
 - Commercial Applications

CONSTRUCTION

- Die Formed heavy duty Aluminum
- Corrosion resistant external hardware
- One-piece silicone gasket ensures IP-65 seal for electronics compartment
- Two-piece silicone Micro Optic system ensures IP-67 level seal around each PCB

BUY AMERICAN

To ensure the latest BAA/TAA/BABA Standards are being met, please select BAA, TAA, or BABA in the options section. Please contact the factory before placing an order for any NLS products requesting BAA (Buy American Act), TAA (Trade American Act), or BABA (Build America, Buy America).



Project Name:

Type:

VSS-1-SPMX ORDERING GUIDE

Cat#	Light Dist.	# of LEDs	Drive Current	Color Temp./CRI	Voltage
Value Series Square 1 (VSS-1)	Standard Silicone Micro Optics		Standard Configurations		Amber LED 595nm Dominant Wavelength Standard Turtle Friendly (AMBER) ^{1, 6, 7, 13} Amber LED Phosphor Converted (AMBER/PC) ^{1, 7, 13} 2700K, 70 CRI (27K7) ² 2700K, 80 CRI (27K8) ² 3000K, 70 CRI (30K7) ² 3000K, 80 CRI (30K8) ² 3500K, 80 CRI (35K8) ² 4000K, 70 CRI (40K7) ² 4000K, 80 CRI (40K8) ² 5000K, 70 CRI (50K7) ² 5000K, 80 CRI (50K8) ²
	Type 2 (T2)	32 LED (32L)	700 mA (7)	120V -277V (UNV) 347V -480V (HV)	
	Type 3 (T3)	48 LED (48L)	1050 mA (1)		
	Type 4 (T4)	64 LED (64L)			
	Type 5 (T5)				
	Performance Silicone Micro Optics		Standard Configurations		
	Type 4 Forward Throw Wide (For Perimeters) (T4FTW)	32 LED (32L)	700 mA (7)		
	Type 5 Wide (for Improved Uniformity & Wider Pole Spacing) (T5W)	48 LED (48L)	1050 mA (1)		
		64 LED (64L)			
		Performance Plus Configurations*			
	64 LED (64L)	350 mA (35) ⁸			
		530 mA (53) ⁸			

* Performance Plus configurations with our New Performance Silicone Optics.
(For the ultimate performance of the New Performance Silicone Optics combine highest chip count with High Efficacy Drive Currents)

Mounting	Color	Controls Options	Options
Spider Mount (4-Bar) Slips Over 2-3/8" Tenon D180 (SPM2)	Bronze Textured (BRZ)	Nema 7-Pin Receptacle (PE7)	Bird Spikes (BS)
Spider Mount (4-Bar) Slips Over 3" Tenon (SPM3)	White Textured (WHT)	Photocell + Receptacle (PCR)	Marine Grade Finish (MGF)
	Smooth White Gloss (SWT)	Receptacle + Shorting Cap (PER)	Quick Mount Bracket (QMB)
	Silver Metallic (SVR)	FSP-211 w/Motion Sensor/Photocell (120/277VAC,230-240VAC)	Retrofit Mount Bracket (RQMB)
	Black Textured (BLK)	8' Heights (FSP211-8) ^{4,10}	Round Pole Adaptor 3"-4" Pole (RPA4)
	Smooth Black Gloss (SBK)	9'-20' Heights (FSP211-20) ^{4,10}	Round Pole Adaptor 5"-6" Pole (RPA5)
	Graphite Textured (GPH)	21'-40' Heights (FSP211-40) ^{4,10}	Rotated Optic Left (ROL)
	Grey Textured (GRY)	FSP-221 w/Motion Sensor/Photocell (100/347VAC,208/230/480VAC)	Rotated Optic Right (ROR)
	Green Textured (GRN)	8' Heights (FSP-HV-8) ¹¹	Single Fuse (SF)
	Hunter Green Textured (HGN)	9'-20' Heights (FSP-HV-20) ¹¹	Double Fuse (DF)
	Custom (CS)	21'-40' Heights (FSP-HV-40) ¹¹	Black Optical Frame (BOF) ¹
		Custom Controls Integration (CCI) ⁹	House Side Shield (HSS)
		Button Type Photocell (PC) ⁴	Buy American Act (BAA) ³
		FSP Remote (FSIR) ¹²	Trade Agreement Act (TAA) ³
		DALI-2 (D2) ⁹	Build America Buy American (BABA) ³

NOTES:

1. Consult Factory for Lead Time
2. Consult Factory for 90 CRI Requests
3. Consult factory for all BAA/TAA/BABA requests
4. Universal Voltage 120V-277V
5. 3000K or lower, w/fixed mounting options only. Must be selected to meet International Dark-Sky Association certification
6. Turtle Safe
7. Not available above 530mA
8. 32L & 64L Only with T4FTW & T5W Performance Silicone Micro Optics
9. Please contact Factory for Custom Control Integration requests (nLight,NX, WaveLinx, Crestron, DMX/RDM, Synapse,Casambi, Dali II, Avi-On, or other control systems)
10. FSP-211, 120V/277V, 230-240VAC (single phase), 50/60Hz
11. FSP-221, 100-347VAC (single phase) or 208/230/480VAC (phase-to-phase)
12. Projects with sensors require Qty. 1 FSIR per project.
13. See estimated scaling chart for multiplier values to estimate lumen output Please contact Factory to verify the estimated performance data



701 Kingshill Place, Carson, CA 90746
Call Us Today (310) 341-2037

nlsighting.com

PRODUCT SPECIFICATIONS

ELECTRICAL

- 120-277 Volts (UNV) or 347-480 Volts (HV)
- 0-10V dimming driver
- Driver power factor at maximum load is $\geq .95$, THD maximum load is 15%
- LED Drivers Ambient Temp. Min is -40°C and Ambient Temp. Max ranges from 50°C to 55°C and, in some cases, even higher. Consult the factory for revalidation by providing the fixture catalog string before quoting and specifying it.
- All internal wiring UL certified for 600 VAC and 105°C
- All drivers, controls, and sensors housed in enclosed IP-65 compartment
- CRI 70, 80 or 90
- Color temperatures: Amber, 2700K, 3000K, 3500K, 4000K, 5000K
- Surge Protection: 20KA supplies as standard.

OPTIONS

- BIRD SPIKES (BS)—Offers effective and humane deterrent for larger bird species and provides cost-effective long-term solution to nuisance bird infestations and protect your property.
- MARINE GRADE FINISH (MGF)—A multi-step process creating protective finishing coat against harsh environments.
 - Chemically washed in a 5 stage cleaning system.
 - Pre-baked
 - Powder coated 3-5 mils of Zinc Rich Super Durable Polyester Primer.
 - 1-2 feet inside pole coverage top and bottom.
 - Oven Baked.
 - Finished Powder Coating of Super Durable Polyester Powder Coat 3-5 mil thickness.
- HOUSE SIDE SHIELD—House Side Shield (HSS) is designed for full property line cut-off.
- ROUND POLE ADAPTER (RPA)—When using round poles, specify Round Pole Adapter (RPA). Specify RPA4 when installing on 3"-4" round poles, and RPA5 when installing on 5"-6" round poles.
- ROTATED OPTICS (ROL) (ROR) - Rotated optics are designed for perimeter lighting for auto dealerships
- BLACK OPTIC FRAME (BOF) - Optional black optic frame. (includes black hardware) Standard is white

CONTROLS

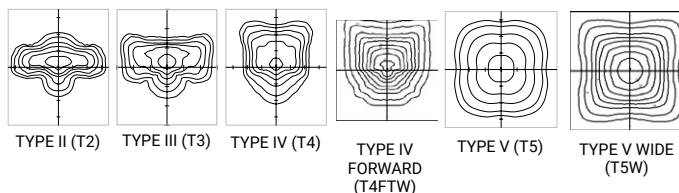
- **FSP-211 w/Motion Sensor/Photocell (120/277VAC, 230-240VAC)** (FSP-X) - Passive infrared (PIR) sensor providing multi-level control based on motion/daylight contribution.
- **FSP-221 w/Motion Sensor/Photocell (100-347VAC, 208/230/480VAC)** (FSP-HV-X) - Passive infrared (PIR) sensor providing multi-level control based on motion/daylight contribution.
 - All control parameters adjustable via wireless configuration remote storing and transmitting sensor profiles.
 - FSP-8 mounting heights 8 feet and below
 - FSP-20 mounting heights 9-20 feet.
 - FSP-40 mounting heights 21-40 feet.
 - Includes 5 dimming event cycles, 0-10V dimming with motion sensing, re-programmable in the field.
 - FSIR-100 commissioning remote is required to change sensor settings. Please contact factory for ordering.

- NEMA 7-PIN RECEPTACLE (PE7)—An ANSI C136.41-2013 receptacle provides electrical and mechanical interconnection between photo control cell and luminaire. Dimming receptacle available two or four dimming contacts supports 0-10 VDC dimming methods or Digital Addressable Lighting Interface (DALI), providing reliable power interconnect.
- Controls Agnostic: Please contact factory for your preferred controls option. (nLight, NX, WaveLinX, Crestron, DMX/RDM, Synapse, Casambi, DALI II, Avi-On, or other control systems).

OPTICS

Silicone optics high photothermal stability and light output provides higher powered LEDs with minimized lumen depreciation LED life. UV and thermal stability with scratch resistance increases exterior application durability.

- IES Types



FINISH

- 5 mils electrostatic powder coat.
- NLS' standard high-quality finishes prevent corrosion protects against extreme environmental conditions
- 10 Standard Finishes, Custom Finish and Marine Grade Finish Available

WARRANTY

Five-year limited warranty for drivers and LEDs.

LISTINGS

- UL Listed in compliance with UL 1598, the Standard for Safety of Luminaires, including the applicable wet location requirements
- CSA C22.2 No. 250.0
- IP65/ IP67 Rated
- Dark Sky Approved
- IK10 Rated

BUY AMERICAN OPTION

While all of the NLS Lighting products listed in this document qualify for the Buy America(n) Act of 1933, we reserve the right to change our listings without notice.

The information provided above is for general informational purposes only. We encourage you to consult legal professionals for advice particular to your projects concerning BAA, TAA, BABA or Buy America.

Additional NLS Products that meet BAA, TAA standards can be found at the following link:

<https://nslighting.com/buy-american/>



3000K or lower, with fixed mounting options only, must be selected to meet International Dark-Sky Association certification.

The information and specifications on this document are subject to change without any notification. All values are design, nominal, typical or prorated values when measured under internal and external laboratory conditions.



701 Kingshill Place, Carson, CA 90746
Call Us Today (310) 341-2037

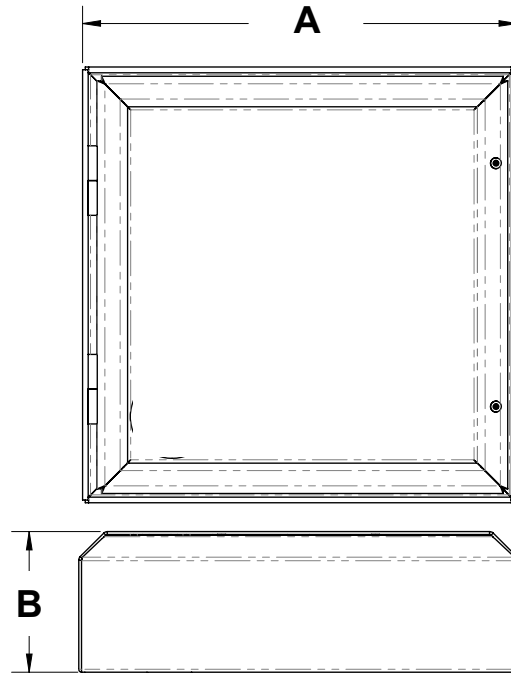
nslighting.com

PRODUCT SPECIFICATIONS

DIMENSION	VSS-1
A	17 in. SQ
B	5 in.
Weight	20 lbs

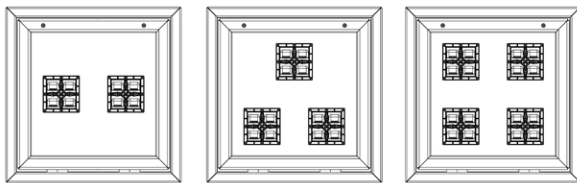
EPA

EPA	SGL	D90	D180	T90	T120	QD
VSS-1	0.68	1.36	1.36	2.04	1.36	2.72



OPTICAL CONFIGURATIONS

Rotatable Optics (ROR) Rotated Right, (ROL) Rotated Left options available. Optics field and factory rotatable.



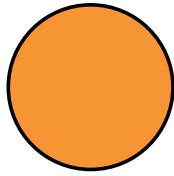
VSS-1 / 32L

VSS-1 / 48L

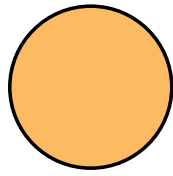
VSS-1 / 64L

PRODUCT SPECIFICATIONS

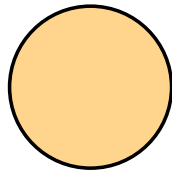
LED KELVIN RANGE



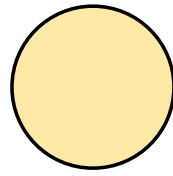
AMBER
585-600 nm



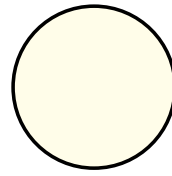
2700K 70 CRI



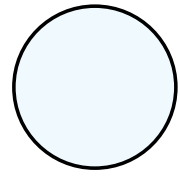
3000K 70 CRI



3500K 80 CRI



4000K 70 CRI



5000K 70 CRI

Color	Dominant or Peak Wavelength Range (nm)	
	Minimum	Maximum
Amber	585	600

Lumen Maintenance Data							
Ambient Temperature	Drive Current	L90 Hours*	L70 Hours	30,000 Hours*	50,000 Hours*	60,000 Hours*	100,000 Hours*
25°C	up to 700mA	58,000	173,000	95.7%	91.6%	89.6%	82.1%
	1050mA	38,000	96,000	93.0%	85.4%	81.8%	68.8%

*Reported extrapolations per IESNA TM-21 **Projected extrapolations per IESNA TM-21

LUMEN MULTIPLIERS

Multipliers For 70/80/90 CRI (Scaling Factor from 5000K 70 CRI)			
CCT	70 CRI	80 CRI	90 CRI
2700K	0.840	0.737	0.609
3000K	0.975	0.776	0.640
3500K	0.890	0.800	0.659
4000K	1.000	0.815	0.679
5000K	1.000	0.830	0.710

Multipliers For Amber & PC Amber (Scaling Factor from 5000K 70 CRI)	
CCT	Multiplier
AMBER - Amber LED 595nm Dominant Wavelength - Standard Turtle Friendly	Consult Factory for estimated lumens and wattage
AMBER/PC - Amber LED Phosphor Converted	Consult Factory for estimated lumens and wattage

LENS MULTIPLIERS

Lens Type	Multiplier
CFL - Clear Tempered Glass Lens	0.8500
DPCL - Diffused Polycarbonate Visual Comfort Lens	0.6000
HAL - Yellow Polycarbonate Lens - less than 2% Blue Light Content	0.7000

PRODUCT SPECIFICATIONS

LUMEN CHARTS - STANDARD MICRO OPTICS

STANDARD SILICONE MICRO OPTICS - NON-SHIELDED - 32 LED									
Part Number	T2	LPW	T3	LPW	T4	LPW	T5	LPW	Wattage
VSS-1-SPMX-32L-7-27K7	6829	96	6698	94	7092	100	7565	107	71
VSS-1-SPMX-32L-7-27K8	6395	90	6272	88	6641	94	7084	100	71
VSS-1-SPMX-32L-7-30K7	7384	104	7242	102	7668	108	8179	115	71
VSS-1-SPMX-32L-7-30K8	6857	97	6725	95	7121	100	7596	107	71
VSS-1-SPMX-32L-7-35K8	6857	97	6725	95	7121	100	7596	107	71
VSS-1-SPMX-32L-7-40K7	8662	122	8520	120	8946	126	9585	135	71
VSS-1-SPMX-32L-7-40K8	8018	113	7886	111	8281	117	8872	125	71
VSS-1-SPMX-32L-7-50K7	8662	122	8520	120	8946	126	9585	135	71
VSS-1-SPMX-32L-7-50K8	8018	113	7886	111	8281	117	8872	125	71
VSS-1-SPMX-32L-1-27K7	9902	93	9804	92	10000	94	10289	97	106
VSS-1-SPMX-32L-1-27K8	9273	87	9181	87	9364	88	9635	91	106
VSS-1-SPMX-32L-1-30K7	10706	101	10600	100	10812	102	11125	105	106
VSS-1-SPMX-32L-1-30K8	9942	94	9844	93	10041	95	10332	97	106
VSS-1-SPMX-32L-1-35K8	9942	94	9844	93	10041	95	10332	97	106
VSS-1-SPMX-32L-1-40K7	12508	118	12402	117	12508	118	13144	124	106
VSS-1-SPMX-32L-1-40K8	11578	109	11479	108	11578	109	12166	115	106
VSS-1-SPMX-32L-1-50K7	12508	118	12402	117	12508	118	13144	124	106
VSS-1-SPMX-32L-1-50K8	11578	109	11479	108	11578	109	12166	115	106

STANDARD SILICONE MICRO OPTICS - SHIELDED - 32 LED					
Part Number	T3 HSS	LPW	T4 HSS	LPW	Wattage
VSS-1-SPMX-32L-7-27K7-HSS	3809	54	3743	53	71
VSS-1-SPMX-32L-7-27K8-HSS	3567	50	3505	49	71
VSS-1-SPMX-32L-7-30K7-HSS	4118	58	4047	57	71
VSS-1-SPMX-32L-7-30K8-HSS	3824	54	3758	53	71
VSS-1-SPMX-32L-7-35K8-HSS	3824	54	3758	53	71
VSS-1-SPMX-32L-7-40K7-HSS	4686	66	4615	65	71
VSS-1-SPMX-32L-7-40K8-HSS	4337	61	4272	60	71
VSS-1-SPMX-32L-7-50K7-HSS	4686	66	4615	65	71
VSS-1-SPMX-32L-7-50K8-HSS	4337	61	4272	60	71
VSS-1-SPMX-32L-1-27K7-HSS	5687	54	5589	53	106
VSS-1-SPMX-32L-1-27K8-HSS	5325	50	5234	49	106
VSS-1-SPMX-32L-1-30K7-HSS	6148	58	6042	57	106
VSS-1-SPMX-32L-1-30K8-HSS	5710	54	5611	53	106
VSS-1-SPMX-32L-1-35K8-HSS	5710	54	5611	53	106
VSS-1-SPMX-32L-1-40K7-HSS	6996	66	6890	65	106
VSS-1-SPMX-32L-1-40K8-HSS	6476	61	6377	60	106
VSS-1-SPMX-32L-1-50K7-HSS	6996	66	6890	65	106
VSS-1-SPMX-32L-1-50K8-HSS	6476	61	6377	60	106

STANDARD SILICONE MICRO OPTICS - NON-SHIELDED - 48 LED									
Part Number	T2	LPW	T3	LPW	T4	LPW	T5	LPW	Wattage
VSS-1-SPMX-48L-7-27K7	10004	96	9907	95	10388	100	11350	109	104
VSS-1-SPMX-48L-7-27K8	9368	90	9278	89	9728	94	10629	102	104
VSS-1-SPMX-48L-7-30K7	10816	104	10712	103	11232	108	12272	118	104
VSS-1-SPMX-48L-7-30K8	10045	97	9948	96	10431	100	11397	110	104
VSS-1-SPMX-48L-7-35K8	10045	97	9948	96	10431	100	11397	110	104
VSS-1-SPMX-48L-7-40K7	12688	122	12480	120	13104	126	14248	137	104
VSS-1-SPMX-48L-7-40K8	11744	113	11552	111	12129	117	13188	127	104
VSS-1-SPMX-48L-7-50K7	12688	122	12480	120	13104	126	14248	137	104
VSS-1-SPMX-48L-7-50K8	11744	113	11552	111	12129	117	13188	127	104
VSS-1-SPMX-48L-1-27K7	15315	98	14572	93	14717	94	15294	98	156
VSS-1-SPMX-48L-1-27K8	14342	92	13646	87	13781	88	14322	92	156
VSS-1-SPMX-48L-1-30K7	16559	106	15756	101	15912	102	16536	106	156
VSS-1-SPMX-48L-1-30K8	15378	99	14632	94	14777	95	15357	98	156
VSS-1-SPMX-48L-1-35K8	15378	99	14632	94	14777	95	15357	98	156
VSS-1-SPMX-48L-1-40K7	18408	118	18252	117	18408	118	19188	123	156
VSS-1-SPMX-48L-1-40K8	17039	109	16894	108	17039	109	17761	114	156
VSS-1-SPMX-48L-1-50K7	18408	118	18252	117	18408	118	19188	123	156
VSS-1-SPMX-48L-1-50K8	17039	109	16894	108	17039	109	17761	114	156

STANDARD SILICONE MICRO OPTICS - SHIELDED - 48 LED					
Part Number	T3 HSS	LPW	T4 HSS	LPW	Wattage
VSS-1-SPMX-48L-7-27K7-HSS	5579	54	5483	53	104
VSS-1-SPMX-48L-7-27K8-HSS	5225	50	5135	49	104
VSS-1-SPMX-48L-7-30K7-HSS	6032	58	5928	57	104
VSS-1-SPMX-48L-7-30K8-HSS	5602	54	5505	53	104
VSS-1-SPMX-48L-7-35K8-HSS	5602	54	5505	53	104
VSS-1-SPMX-48L-7-40K7-HSS	6864	66	6760	65	104
VSS-1-SPMX-48L-7-40K8-HSS	6353	61	6257	60	104
VSS-1-SPMX-48L-7-50K7-HSS	6864	66	6760	65	104
VSS-1-SPMX-48L-7-50K8-HSS	6353	61	6257	60	104
VSS-1-SPMX-48L-1-27K7-HSS	8369	54	8225	53	156
VSS-1-SPMX-48L-1-27K8-HSS	7837	50	7702	49	156
VSS-1-SPMX-48L-1-30K7-HSS	9048	58	8892	57	156
VSS-1-SPMX-48L-1-30K8-HSS	8403	54	8258	53	156
VSS-1-SPMX-48L-1-35K8-HSS	8403	54	8258	53	156
VSS-1-SPMX-48L-1-40K7-HSS	10296	66	10140	65	156
VSS-1-SPMX-48L-1-40K8-HSS	9530	61	9386	60	156
VSS-1-SPMX-48L-1-50K7-HSS	10296	66	10140	65	156
VSS-1-SPMX-48L-1-50K8-HSS	9530	61	9386	60	156



701 Kingshill Place, Carson, CA 90746
Call Us Today (310) 341-2037

nlsighting.com

PRODUCT SPECIFICATIONS

LUMEN CHARTS - STANDARD MICRO OPTICS

STANDARD SILICONE MICRO OPTICS - NON-SHIELDED - 64 LED									
Part Number	T2	LPW	T3	LPW	T4	LPW	T5	LPW	Wattage
VSS-1-SPMX-64L-7-27K7	13082	96	12704	93	13585	100	14843	109	136
VSS-1-SPMX-64L-7-27K8	12250	90	11897	87	12721	94	13899	102	136
VSS-1-SPMX-64L-7-30K7	14144	104	13736	101	14688	108	16048	118	136
VSS-1-SPMX-64L-7-30K8	13135	97	12756	94	13640	100	14903	110	136
VSS-1-SPMX-64L-7-35K8	13135	97	12756	94	13640	100	14903	110	136
VSS-1-SPMX-64L-7-40K7	16592	122	16048	118	17136	126	18632	137	136
VSS-1-SPMX-64L-7-40K8	15358	113	14854	109	15861	117	17246	127	136
VSS-1-SPMX-64L-7-50K7	16592	122	16048	118	17136	126	18632	137	136
VSS-1-SPMX-64L-7-50K8	15358	113	14854	109	15861	117	17246	127	136
VSS-1-SPMX-64L-1-27K7	20098	98	19150	93	19339	94	20098	98	205
VSS-1-SPMX-64L-1-27K8	18820	92	17933	87	18110	88	18820	92	205
VSS-1-SPMX-64L-1-30K7	21730	106	20705	101	20910	102	21730	106	205
VSS-1-SPMX-64L-1-30K8	20180	98	19228	94	19419	95	20180	98	205
VSS-1-SPMX-64L-1-35K8	20180	98	19228	94	19419	95	20180	98	205
VSS-1-SPMX-64L-1-40K7	24190	118	23780	116	24190	118	25215	123	205
VSS-1-SPMX-64L-1-40K8	22391	109	22011	107	22391	109	23339	114	205
VSS-1-SPMX-64L-1-50K7	24190	118	23780	116	24190	118	25215	123	205
VSS-1-SPMX-64L-1-50K8	22391	109	22011	107	22391	109	23339	114	205

STANDARD SILICONE MICRO OPTICS - SHIELDED - 64 LED					
Part Number	T3 HSS	LPW	T4 HSS	LPW	Wattage
VSS-1-SPMX-64L-7-27K7-HSS	7296	54	7170	53	136
VSS-1-SPMX-64L-7-27K8-HSS	6832	50	6715	49	136
VSS-1-SPMX-64L-7-30K7-HSS	7888	58	7752	57	136
VSS-1-SPMX-64L-7-30K8-HSS	7325	54	7199	53	136
VSS-1-SPMX-64L-7-35K8-HSS	7325	54	7199	53	136
VSS-1-SPMX-64L-7-40K7-HSS	8976	66	8840	65	136
VSS-1-SPMX-64L-7-40K8-HSS	8308	61	8182	60	136
VSS-1-SPMX-64L-7-50K7-HSS	8976	66	8840	65	136
VSS-1-SPMX-64L-7-50K8-HSS	8308	61	8182	60	136
VSS-1-SPMX-64L-1-27K7-HSS	10998	54	10808	53	205
VSS-1-SPMX-64L-1-27K8-HSS	10299	50	10121	49	205
VSS-1-SPMX-64L-1-30K7-HSS	11890	58	11685	57	205
VSS-1-SPMX-64L-1-30K8-HSS	11042	54	10852	53	205
VSS-1-SPMX-64L-1-35K8-HSS	11042	54	10852	53	205
VSS-1-SPMX-64L-1-40K7-HSS	13530	66	13325	65	205
VSS-1-SPMX-64L-1-40K8-HSS	12524	61	12334	60	205
VSS-1-SPMX-64L-1-50K7-HSS	13530	66	13325	65	205
VSS-1-SPMX-64L-1-50K8-HSS	12524	61	12334	60	205

LUMEN CHARTS - PERFORMANCE MICRO OPTICS

PERFORMANCE SILICONE MICRO OPTICS - NON-SHIELDED - 32 LED					
Part Number	T4FTW	LPW	T5W	LPW	Wattage
VSS-1-SPMX-32L-7-27K7	6391	90	7365	104	71
VSS-1-SPMX-32L-7-27K8	5985	84	6897	97	71
VSS-1-SPMX-32L-7-30K7	6910	97	7963	112	71
VSS-1-SPMX-32L-7-30K8	6417	90	7395	104	71
VSS-1-SPMX-32L-7-35K8	6417	90	7395	104	71
VSS-1-SPMX-32L-7-40K7	7466	105	8604	121	71
VSS-1-SPMX-32L-7-40K8	6911	97	7964	112	71
VSS-1-SPMX-32L-7-50K7	7466	105	8604	121	71
VSS-1-SPMX-32L-7-50K8	6911	97	7964	112	71
VSS-1-SPMX-32L-1-27K7	9500	88	10645	99	108
VSS-1-SPMX-32L-1-27K8	8897	82	9969	92	108
VSS-1-SPMX-32L-1-30K7	10272	95	11510	107	108
VSS-1-SPMX-32L-1-30K8	9539	88	10689	99	108
VSS-1-SPMX-32L-1-35K8	9539	88	10689	99	108
VSS-1-SPMX-32L-1-40K7	11099	103	12436	115	108
VSS-1-SPMX-32L-1-40K8	10273	95	11511	107	108
VSS-1-SPMX-32L-1-50K7	11099	103	12436	115	108
VSS-1-SPMX-32L-1-50K8	10273	95	11511	107	108

PERFORMANCE SILICONE MICRO OPTICS - NON-SHIELDED - 48 LED					
Part Number	T4FTW	LPW	T5W	LPW	Wattage
VSS-1-SPMX-48L-7-27K7	10149	98	11573	111	104
VSS-1-SPMX-48L-7-27K8	9504	91	10838	104	104
VSS-1-SPMX-48L-7-30K7	10973	106	12513	120	104
VSS-1-SPMX-48L-7-30K8	10190	98	11621	112	104
VSS-1-SPMX-48L-7-35K8	10190	98	11621	112	104
VSS-1-SPMX-48L-7-40K7	11856	114	13520	130	104
VSS-1-SPMX-48L-7-40K8	10974	106	12514	120	104
VSS-1-SPMX-48L-7-50K7	11856	114	13520	130	104
VSS-1-SPMX-48L-7-50K8	10974	106	12514	120	104
VSS-1-SPMX-48L-1-27K7	14718	96	15159	98	154
VSS-1-SPMX-48L-1-27K8	13783	89	14196	92	154
VSS-1-SPMX-48L-1-30K7	15913	103	16391	106	154
VSS-1-SPMX-48L-1-30K8	14778	96	15222	99	154
VSS-1-SPMX-48L-1-35K8	14778	96	15222	99	154
VSS-1-SPMX-48L-1-40K7	17194	112	17710	115	154
VSS-1-SPMX-48L-1-40K8	15915	103	16393	106	154
VSS-1-SPMX-48L-1-50K7	17194	112	17710	115	154
VSS-1-SPMX-48L-1-50K8	15915	103	16393	106	154

PRODUCT SPECIFICATIONS

LUMEN CHARTS - PERFORMANCE MICRO OPTICS

PERFORMANCE SILICONE MICRO OPTICS - NON-SHIELDED - 64 LED					
Part Number	T4FTW	LPW	T5W	LPW	Wattage
VSS-1-SPMX-64L-35-27K7	7567	111	8149	120	68
VSS-1-SPMX-64L-35-27K8	7086	104	7631	112	68
VSS-1-SPMX-64L-35-30K7	8181	120	8811	130	68
VSS-1-SPMX-64L-35-30K8	7598	112	8182	120	68
VSS-1-SPMX-64L-35-35K8	7598	112	8182	120	68
VSS-1-SPMX-64L-35-40K7	8840	130	9520	140	68
VSS-1-SPMX-64L-35-40K8	8182	120	8812	130	68
VSS-1-SPMX-64L-35-50K7	8840	130	9520	140	68
VSS-1-SPMX-64L-35-50K8	8182	120	8812	130	68
VSS-1-SPMX-64L-53-27K7	10580	103	12255	119	103
VSS-1-SPMX-64L-53-27K8	9908	96	11476	111	103
VSS-1-SPMX-64L-53-30K7	11439	111	13250	129	103
VSS-1-SPMX-64L-53-30K8	10623	103	12305	119	103
VSS-1-SPMX-64L-53-35K8	10623	103	12305	119	103
VSS-1-SPMX-64L-53-40K7	12360	120	14317	139	103
VSS-1-SPMX-64L-53-40K8	11441	111	13252	129	103
VSS-1-SPMX-64L-53-50K7	12360	120	14317	139	103
VSS-1-SPMX-64L-53-50K8	11441	111	13252	129	103
VSS-1-SPMX-64L-7-27K7	12353	89	15478	111	139
VSS-1-SPMX-64L-7-27K8	11568	83	14494	104	139
VSS-1-SPMX-64L-7-30K7	13358	96	16734	120	139
VSS-1-SPMX-64L-7-30K8	12405	89	15541	112	139
VSS-1-SPMX-64L-7-35K8	12405	89	15541	112	139
VSS-1-SPMX-64L-7-40K7	14433	104	18081	130	139
VSS-1-SPMX-64L-7-40K8	13359	96	16736	120	139
VSS-1-SPMX-64L-7-50K7	14433	104	18081	130	139
VSS-1-SPMX-64L-7-50K8	13359	96	16736	120	139
VSS-1-SPMX-64L-1-27K7	17872	88	20138	99	204
VSS-1-SPMX-64L-1-27K8	16736	82	18858	92	204
VSS-1-SPMX-64L-1-30K7	19323	95	21773	107	204
VSS-1-SPMX-64L-1-30K8	17945	88	20220	99	204
VSS-1-SPMX-64L-1-35K8	17945	88	20220	99	204
VSS-1-SPMX-64L-1-40K7	20878	102	23526	115	204
VSS-1-SPMX-64L-1-40K8	19325	95	21776	107	204
VSS-1-SPMX-64L-1-50K7	20878	102	23526	115	204
VSS-1-SPMX-64L-1-50K8	19325	95	21776	107	204

PRODUCT SPECIFICATIONS

BUG RATING CHARTS - STANDARD MICRO OPTICS - NON-SHIELDED

STANDARD SILICONE MICRO OPTICS - NON-SHIELDED - 32 LED				
Part Number	T2	T3	T4	T5
VSS-1-SPMX-32L-7-27K7	B1-U0-G1	B2-U0-G2	B2-U0-G2	B3-U0-G2
VSS-1-SPMX-32L-7-27K8	B1-U0-G1	B2-U0-G2	B2-U0-G2	B3-U0-G2
VSS-1-SPMX-32L-7-30K7	B1-U0-G1	B2-U0-G2	B2-U0-G2	B3-U0-G2
VSS-1-SPMX-32L-7-30K8	B1-U0-G1	B2-U0-G2	B2-U0-G2	B3-U0-G2
VSS-1-SPMX-32L-7-35K8	B1-U0-G1	B2-U0-G2	B2-U0-G2	B3-U0-G2
VSS-1-SPMX-32L-7-40K7	B2-U0-G2	B2-U0-G2	B2-U0-G2	B3-U0-G2
VSS-1-SPMX-32L-7-40K8	B2-U0-G2	B2-U0-G2	B2-U0-G2	B3-U0-G2
VSS-1-SPMX-32L-7-50K7	B2-U0-G2	B2-U0-G2	B2-U0-G2	B3-U0-G2
VSS-1-SPMX-32L-7-50K8	B2-U0-G2	B2-U0-G2	B2-U0-G2	B3-U0-G2
VSS-1-SPMX-32L-1-27K7	B2-U0-G2	B2-U0-G2	B2-U0-G2	B4-U0-G2
VSS-1-SPMX-32L-1-27K8	B2-U0-G2	B2-U0-G2	B2-U0-G2	B4-U0-G2
VSS-1-SPMX-32L-1-30K7	B2-U0-G2	B2-U0-G2	B2-U0-G2	B4-U0-G2
VSS-1-SPMX-32L-1-30K8	B2-U0-G2	B2-U0-G2	B2-U0-G2	B4-U0-G2
VSS-1-SPMX-32L-1-35K8	B2-U0-G2	B2-U0-G2	B2-U0-G2	B4-U0-G2
VSS-1-SPMX-32L-1-40K7	B2-U0-G2	B2-U0-G2	B2-U0-G2	B4-U0-G2
VSS-1-SPMX-32L-1-40K8	B2-U0-G2	B2-U0-G2	B2-U0-G2	B4-U0-G2
VSS-1-SPMX-32L-1-50K7	B2-U0-G2	B2-U0-G2	B2-U0-G2	B4-U0-G2
VSS-1-SPMX-32L-1-50K8	B2-U0-G2	B2-U0-G2	B2-U0-G2	B4-U0-G2

STANDARD SILICONE MICRO OPTICS - NON-SHIELDED - 48 LED				
Part Number	T2	T3	T4	T5
VSS-1-SPMX-48L-7-27K7	B2-U0-G2	B2-U0-G2	B2-U0-G2	B4-U0-G2
VSS-1-SPMX-48L-7-27K8	B2-U0-G2	B2-U0-G2	B2-U0-G2	B4-U0-G2
VSS-1-SPMX-48L-7-30K7	B2-U0-G2	B2-U0-G2	B2-U0-G2	B4-U0-G2
VSS-1-SPMX-48L-7-30K8	B2-U0-G2	B2-U0-G2	B2-U0-G2	B4-U0-G2
VSS-1-SPMX-48L-7-35K8	B2-U0-G2	B2-U0-G2	B2-U0-G2	B4-U0-G2
VSS-1-SPMX-48L-7-40K7	B2-U0-G2	B2-U0-G2	B2-U0-G2	B4-U0-G2
VSS-1-SPMX-48L-7-40K8	B2-U0-G2	B2-U0-G2	B2-U0-G2	B4-U0-G2
VSS-1-SPMX-48L-7-50K7	B2-U0-G2	B2-U0-G2	B2-U0-G2	B4-U0-G2
VSS-1-SPMX-48L-7-50K8	B2-U0-G2	B2-U0-G2	B2-U0-G2	B4-U0-G2
VSS-1-SPMX-48L-1-27K7	B3-U0-G3	B3-U0-G3	B3-U0-G3	B4-U0-G2
VSS-1-SPMX-48L-1-27K8	B3-U0-G3	B3-U0-G3	B3-U0-G3	B4-U0-G2
VSS-1-SPMX-48L-1-30K7	B3-U0-G3	B3-U0-G3	B3-U0-G3	B4-U0-G2
VSS-1-SPMX-48L-1-30K8	B3-U0-G3	B3-U0-G3	B3-U0-G3	B4-U0-G2
VSS-1-SPMX-48L-1-35K8	B3-U0-G3	B3-U0-G3	B3-U0-G3	B4-U0-G2
VSS-1-SPMX-48L-1-40K7	B3-U0-G3	B3-U0-G3	B3-U0-G3	B4-U0-G2
VSS-1-SPMX-48L-1-40K8	B3-U0-G3	B3-U0-G3	B3-U0-G3	B4-U0-G2
VSS-1-SPMX-48L-1-50K7	B3-U0-G3	B3-U0-G3	B3-U0-G3	B4-U0-G2
VSS-1-SPMX-48L-1-50K8	B3-U0-G3	B3-U0-G3	B3-U0-G3	B4-U0-G2

STANDARD SILICONE MICRO OPTICS - NON-SHIELDED - 64 LED				
Part Number	T2	T3	T4	T5
VSS-1-SPMX-64L-7-27K7	B3-U0-G3	B3-U0-G3	B3-U0-G3	B4-U0-G2
VSS-1-SPMX-64L-7-27K8	B3-U0-G3	B3-U0-G3	B3-U0-G3	B4-U0-G2
VSS-1-SPMX-64L-7-30K7	B3-U0-G3	B3-U0-G3	B3-U0-G3	B4-U0-G2
VSS-1-SPMX-64L-7-30K8	B3-U0-G3	B3-U0-G3	B3-U0-G3	B4-U0-G2
VSS-1-SPMX-64L-7-35K8	B3-U0-G3	B3-U0-G3	B3-U0-G3	B4-U0-G2
VSS-1-SPMX-64L-7-40K7	B3-U0-G3	B3-U0-G3	B3-U0-G3	B4-U0-G2
VSS-1-SPMX-64L-7-40K8	B3-U0-G3	B3-U0-G3	B3-U0-G3	B4-U0-G2
VSS-1-SPMX-64L-7-50K7	B3-U0-G3	B3-U0-G3	B3-U0-G3	B4-U0-G2
VSS-1-SPMX-64L-7-50K8	B3-U0-G3	B3-U0-G3	B3-U0-G3	B4-U0-G2
VSS-1-SPMX-64L-1-27K7	B3-U0-G3	B3-U0-G3	B3-U0-G3	B5-U0-G3
VSS-1-SPMX-64L-1-27K8	B3-U0-G3	B3-U0-G3	B3-U0-G3	B5-U0-G3
VSS-1-SPMX-64L-1-30K7	B3-U0-G3	B3-U0-G3	B3-U0-G3	B5-U0-G3
VSS-1-SPMX-64L-1-30K8	B3-U0-G3	B3-U0-G3	B3-U0-G3	B5-U0-G3
VSS-1-SPMX-64L-1-35K8	B3-U0-G3	B3-U0-G3	B3-U0-G3	B5-U0-G3
VSS-1-SPMX-64L-1-40K7	B3-U0-G3	B3-U0-G3	B3-U0-G4	B5-U0-G3
VSS-1-SPMX-64L-1-40K8	B3-U0-G3	B3-U0-G3	B3-U0-G4	B5-U0-G3
VSS-1-SPMX-64L-1-50K7	B3-U0-G3	B3-U0-G3	B3-U0-G4	B5-U0-G3
VSS-1-SPMX-64L-1-50K8	B3-U0-G3	B3-U0-G3	B3-U0-G4	B5-U0-G3

PRODUCT SPECIFICATIONS

BUG RATING CHARTS - STANDARD MICRO OPTICS - SHIELDED

STANDARD SILICONE MICRO OPTICS - SHIELDED 32L		
Part Number	T3 HSS	T4 HSS
VSS-1-SPMX-32L-7-27K7-HSS	B0-U0-G1	B0-U0-G1
VSS-1-SPMX-32L-7-27K8-HSS	B0-U0-G1	B0-U0-G1
VSS-1-SPMX-32L-7-30K7-HSS	B0-U0-G1	B0-U0-G1
VSS-1-SPMX-32L-7-30K8-HSS	B0-U0-G1	B0-U0-G1
VSS-1-SPMX-32L-7-35K8-HSS	B0-U0-G1	B0-U0-G1
VSS-1-SPMX-32L-7-40K7-HSS	B0-U0-G1	B0-U0-G2
VSS-1-SPMX-32L-7-40K8-HSS	B0-U0-G1	B0-U0-G2
VSS-1-SPMX-32L-7-50K7-HSS	B0-U0-G1	B0-U0-G2
VSS-1-SPMX-32L-7-50K8-HSS	B0-U0-G1	B0-U0-G2
VSS-1-SPMX-32L-1-27K7-HSS	B0-U0-G2	B0-U0-G2
VSS-1-SPMX-32L-1-27K8-HSS	B0-U0-G2	B0-U0-G2
VSS-1-SPMX-32L-1-30K7-HSS	B0-U0-G2	B0-U0-G2
VSS-1-SPMX-32L-1-30K8-HSS	B0-U0-G2	B0-U0-G2
VSS-1-SPMX-32L-1-35K8-HSS	B0-U0-G2	B0-U0-G2
VSS-1-SPMX-32L-1-40K7-HSS	B0-U0-G2	B0-U0-G2
VSS-1-SPMX-32L-1-40K8-HSS	B0-U0-G2	B0-U0-G2
VSS-1-SPMX-32L-1-50K7-HSS	B0-U0-G2	B0-U0-G2
VSS-1-SPMX-32L-1-50K8-HSS	B0-U0-G2	B0-U0-G2

STANDARD SILICONE MICRO OPTICS - SHIELDED 48L		
Part Number	T3 HSS	T4 HSS
VSS-1-SPMX-48L-7-27K7-HSS	B0-U0-G2	B0-U0-G2
VSS-1-SPMX-48L-7-27K8-HSS	B0-U0-G2	B0-U0-G2
VSS-1-SPMX-48L-7-30K7-HSS	B0-U0-G2	B0-U0-G2
VSS-1-SPMX-48L-7-30K8-HSS	B0-U0-G2	B0-U0-G2
VSS-1-SPMX-48L-7-35K8-HSS	B0-U0-G2	B0-U0-G2
VSS-1-SPMX-48L-7-40K7-HSS	B0-U0-G2	B0-U0-G2
VSS-1-SPMX-48L-7-40K8-HSS	B0-U0-G2	B0-U0-G2
VSS-1-SPMX-48L-7-50K7-HSS	B0-U0-G2	B0-U0-G2
VSS-1-SPMX-48L-7-50K8-HSS	B0-U0-G2	B0-U0-G2
VSS-1-SPMX-48L-1-27K7-HSS	B0-U0-G2	B0-U0-G2
VSS-1-SPMX-48L-1-27K8-HSS	B0-U0-G2	B0-U0-G2
VSS-1-SPMX-48L-1-30K7-HSS	B0-U0-G2	B0-U0-G2
VSS-1-SPMX-48L-1-30K8-HSS	B0-U0-G2	B0-U0-G2
VSS-1-SPMX-48L-1-35K8-HSS	B0-U0-G2	B0-U0-G2
VSS-1-SPMX-48L-1-40K7-HSS	B1-U0-G2	B0-U0-G2
VSS-1-SPMX-48L-1-40K8-HSS	B1-U0-G2	B0-U0-G2
VSS-1-SPMX-48L-1-50K7-HSS	B1-U0-G2	B0-U0-G2
VSS-1-SPMX-48L-1-50K8-HSS	B1-U0-G2	B0-U0-G2

STANDARD SILICONE MICRO OPTICS - SHIELDED 64L		
Part Number	T3 HSS	T4 HSS
VSS-1-SPMX-64L-7-27K7-HSS	B0-U0-G2	B0-U0-G2
VSS-1-SPMX-64L-7-27K8-HSS	B0-U0-G2	B0-U0-G2
VSS-1-SPMX-64L-7-30K7-HSS	B0-U0-G2	B0-U0-G2
VSS-1-SPMX-64L-7-30K8-HSS	B0-U0-G2	B0-U0-G2
VSS-1-SPMX-64L-7-35K8-HSS	B0-U0-G2	B0-U0-G2
VSS-1-SPMX-64L-7-40K7-HSS	B0-U0-G2	B1-U0-G2
VSS-1-SPMX-64L-7-40K8-HSS	B0-U0-G2	B1-U0-G2
VSS-1-SPMX-64L-7-50K7-HSS	B0-U0-G2	B1-U0-G2
VSS-1-SPMX-64L-7-50K8-HSS	B0-U0-G2	B1-U0-G2
VSS-1-SPMX-64L-1-27K7-HSS	B1-U0-G2	B1-U0-G2
VSS-1-SPMX-64L-1-27K8-HSS	B1-U0-G2	B1-U0-G2
VSS-1-SPMX-64L-1-30K7-HSS	B1-U0-G2	B1-U0-G2
VSS-1-SPMX-64L-1-30K8-HSS	B1-U0-G2	B1-U0-G2
VSS-1-SPMX-64L-1-35K8-HSS	B1-U0-G2	B1-U0-G2
VSS-1-SPMX-64L-1-40K7-HSS	B1-U0-G2	B1-U0-G3
VSS-1-SPMX-64L-1-40K8-HSS	B1-U0-G2	B1-U0-G3
VSS-1-SPMX-64L-1-50K7-HSS	B1-U0-G2	B1-U0-G3
VSS-1-SPMX-64L-1-50K8-HSS	B1-U0-G2	B1-U0-G3

BUG RATING CHARTS - PERFORMANCE MICRO OPTICS - NON-SHIELDED

PERFORMANCE SILICONE MICRO OPTICS - NON-SHIELDED - 32 LED		
Part Number	T4FTW	T5W
VSS-1-SPMX-32L-7-27K7	B1-U0-G2	B3-U0-G2
VSS-1-SPMX-32L-7-27K8	B1-U0-G2	B3-U0-G2
VSS-1-SPMX-32L-7-30K7	B2-U0-G2	B3-U0-G2
VSS-1-SPMX-32L-7-30K8	B2-U0-G2	B3-U0-G2
VSS-1-SPMX-32L-7-35K8	B2-U0-G2	B3-U0-G2
VSS-1-SPMX-32L-7-40K7	B2-U0-G3	B4-U0-G2
VSS-1-SPMX-32L-7-40K8	B2-U0-G3	B4-U0-G2
VSS-1-SPMX-32L-7-50K7	B2-U0-G3	B4-U0-G2
VSS-1-SPMX-32L-7-50K8	B2-U0-G3	B4-U0-G2
VSS-1-SPMX-32L-1-27K7	B2-U0-G3	B4-U0-G3
VSS-1-SPMX-32L-1-27K8	B2-U0-G3	B4-U0-G3
VSS-1-SPMX-32L-1-30K7	B2-U0-G3	B4-U0-G3
VSS-1-SPMX-32L-1-30K8	B2-U0-G3	B4-U0-G3
VSS-1-SPMX-32L-1-35K8	B2-U0-G3	B4-U0-G3
VSS-1-SPMX-32L-1-40K7	B2-U0-G3	B4-U0-G3
VSS-1-SPMX-32L-1-40K8	B2-U0-G3	B4-U0-G3
VSS-1-SPMX-32L-1-50K7	B2-U0-G3	B4-U0-G3
VSS-1-SPMX-32L-1-50K8	B2-U0-G3	B4-U0-G3

PERFORMANCE SILICONE MICRO OPTICS - NON-SHIELDED - 48 LED		
Part Number	T4FTW	T5W
VSS-1-SPMX-48L-7-27K7	B2-U0-G3	B4-U0-G3
VSS-1-SPMX-48L-7-27K8	B2-U0-G3	B4-U0-G3
VSS-1-SPMX-48L-7-30K7	B2-U0-G3	B4-U0-G3
VSS-1-SPMX-48L-7-30K8	B2-U0-G3	B4-U0-G3
VSS-1-SPMX-48L-7-35K8	B2-U0-G3	B4-U0-G3
VSS-1-SPMX-48L-7-40K7	B2-U0-G3	B4-U0-G3
VSS-1-SPMX-48L-7-40K8	B2-U0-G3	B4-U0-G3
VSS-1-SPMX-48L-7-50K7	B2-U0-G3	B4-U0-G3
VSS-1-SPMX-48L-7-50K8	B2-U0-G3	B4-U0-G3
VSS-1-SPMX-48L-1-27K7	B3-U0-G3	B4-U0-G3
VSS-1-SPMX-48L-1-27K8	B3-U0-G3	B4-U0-G3
VSS-1-SPMX-48L-1-30K7	B3-U0-G3	B4-U0-G3
VSS-1-SPMX-48L-1-30K8	B3-U0-G3	B4-U0-G3
VSS-1-SPMX-48L-1-35K8	B3-U0-G3	B4-U0-G3
VSS-1-SPMX-48L-1-40K7	B3-U0-G4	B4-U0-G3
VSS-1-SPMX-48L-1-40K8	B3-U0-G4	B4-U0-G3
VSS-1-SPMX-48L-1-50K7	B3-U0-G4	B4-U0-G3
VSS-1-SPMX-48L-1-50K8	B3-U0-G4	B4-U0-G3

PRODUCT SPECIFICATIONS

BUG RATING CHARTS - PERFORMANCE MICRO OPTICS - NON-SHIELDED

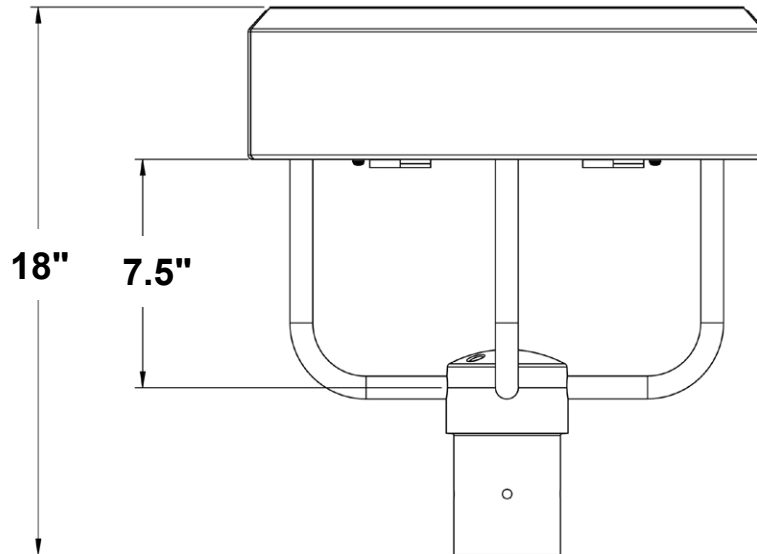
PERFORMANCE SILICONE MICRO OPTICS - NON-SHIELDED - 64 LED		
Part Number	T4FTW	T5W
VSS-1-SPMX-64L-35-27K7	B2-U0-G2	B3-U0-G2
VSS-1-SPMX-64L-35-27K8	B2-U0-G2	B3-U0-G2
VSS-1-SPMX-64L-35-30K7	B2-U0-G3	B4-U0-G2
VSS-1-SPMX-64L-35-30K8	B2-U0-G2	B3-U0-G2
VSS-1-SPMX-64L-35-35K8	B2-U0-G2	B3-U0-G2
VSS-1-SPMX-64L-35-40K7	B2-U0-G3	B4-U0-G2
VSS-1-SPMX-64L-35-40K8	B2-U0-G3	B4-U0-G2
VSS-1-SPMX-64L-35-50K7	B2-U0-G3	B4-U0-G2
VSS-1-SPMX-64L-35-50K8	B2-U0-G3	B4-U0-G2
VSS-1-SPMX-64L-53-27K7	B2-U0-G3	B4-U0-G3
VSS-1-SPMX-64L-53-27K8	B2-U0-G3	B4-U0-G3
VSS-1-SPMX-64L-53-30K7	B2-U0-G3	B5-U0-G3
VSS-1-SPMX-64L-53-30K8	B2-U0-G3	B4-U0-G3
VSS-1-SPMX-64L-53-35K8	B2-U0-G3	B4-U0-G3
VSS-1-SPMX-64L-53-40K7	B3-U0-G3	B5-U0-G3
VSS-1-SPMX-64L-53-40K8	B2-U0-G3	B5-U0-G3
VSS-1-SPMX-64L-53-50K7	B3-U0-G3	B5-U0-G3
VSS-1-SPMX-64L-53-50K8	B2-U0-G3	B5-U0-G3
VSS-1-SPMX-64L-7-27K7	B3-U0-G3	B4-U0-G3
VSS-1-SPMX-64L-7-27K8	B3-U0-G3	B4-U0-G3
VSS-1-SPMX-64L-7-30K7	B3-U0-G3	B5-U0-G3
VSS-1-SPMX-64L-7-30K8	B3-U0-G3	B4-U0-G3
VSS-1-SPMX-64L-7-35K8	B3-U0-G3	B4-U0-G3
VSS-1-SPMX-64L-7-40K7	B3-U0-G3	B5-U0-G3
VSS-1-SPMX-64L-7-40K8	B3-U0-G3	B5-U0-G3
VSS-1-SPMX-64L-7-50K7	B3-U0-G3	B5-U0-G3
VSS-1-SPMX-64L-7-50K8	B3-U0-G3	B5-U0-G3
VSS-1-SPMX-64L-1-27K7	B3-U0-G4	B5-U0-G3
VSS-1-SPMX-64L-1-27K8	B3-U0-G4	B5-U0-G3
VSS-1-SPMX-64L-1-30K7	B3-U0-G4	B5-U0-G4
VSS-1-SPMX-64L-1-30K8	B3-U0-G4	B5-U0-G3
VSS-1-SPMX-64L-1-35K8	B3-U0-G4	B5-U0-G3
VSS-1-SPMX-64L-1-40K7	B3-U0-G4	B5-U0-G4
VSS-1-SPMX-64L-1-40K8	B3-U0-G4	B5-U0-G4
VSS-1-SPMX-64L-1-50K7	B3-U0-G4	B5-U0-G4
VSS-1-SPMX-64L-1-50K8	B3-U0-G4	B5-U0-G4

PRODUCT SPECIFICATIONS

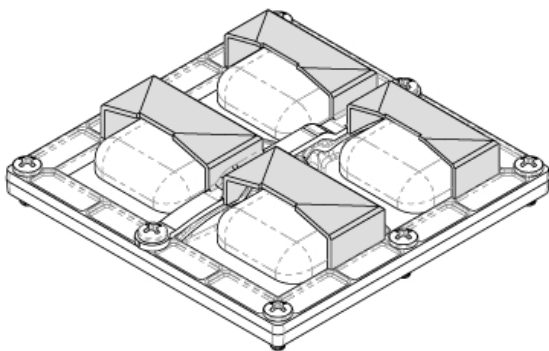
SPIDER MOUNT (SPMX)

Aluminum, 4-bar spider arm mounts over round tenon at two outer dimensions.

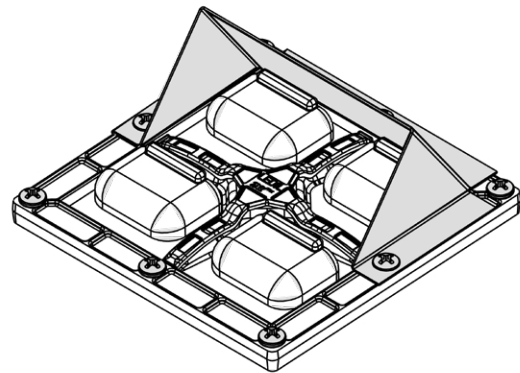
- Over 2-3/8" (SPM2)
- Over 3" (SPM3)



HOUSE SIDE SHIELD



AUTOMOTIVE HOUSE SIDE SHIELD



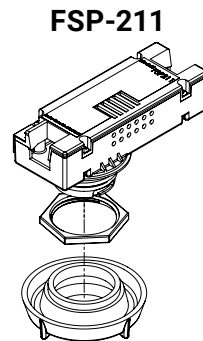
PRODUCT SPECIFICATIONS

CONTROL OPTIONS

- DIMMING CONTROL (FSP)—Passive infrared (PIR) sensor providing multi-level control based on motion/daylight contribution
- All control parameters adjustable via wireless configuration remote storing and transmitting sensor profiles.
- FSP-8 mounting heights 8 feet and below
- FSP-20 mounting heights 9-20 feet.
- FSP-40 mounting heights 21-40 feet.
- Includes 5 dimming event cycles, 0-10V dimming with motion sensing, re-programmable in the field.

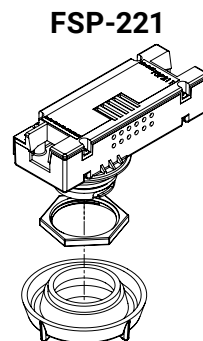
FSP-211 WITH MOTION SENSOR (FSP-XX)

- FSP-211(FSP-X)—Passive infrared (PIR) sensor providing multi-level control based on motion/daylight contribution.
- 120/277VAC, 230-240VAC
- All control parameters adjustable via wireless configuration remote storing and transmitting sensor profiles.
- FSP-8 mounting heights 8 feet and below
- FSP-20 mounting heights 9-20 feet.
- FSP-40 mounting heights 21-40 feet.
- Includes 5 dimming event cycles, 0-10V dimming with motion sensing, re-programmable in the field.

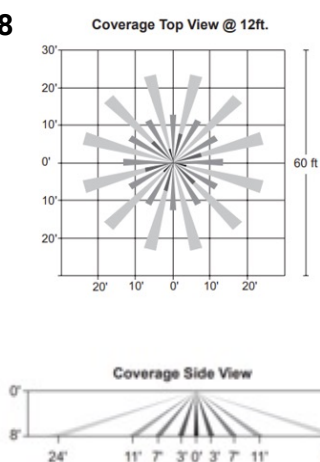


FSP-221 WITH MOTION SENSOR (FSP-HV-XX)

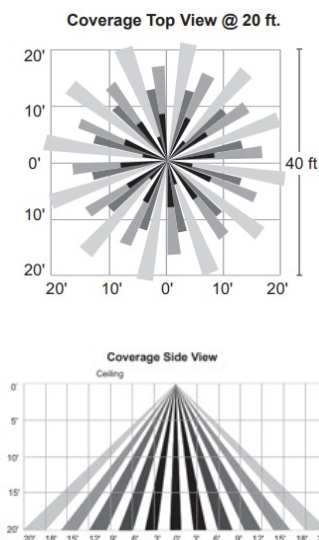
- FSP-221 (FSP-HV-X)—Passive infrared (PIR) sensor providing multi-level control based on motion/daylight contribution.
- 100-347VAC 208/230/480VAC
- All control parameters adjustable via wireless configuration remote storing and transmitting sensor profiles.
- FSP-8 mounting heights 8 feet and below
- FSP-20 mounting heights 9-20 feet.
- FSP-40 mounting heights 21-40 feet.
- Includes 5 dimming event cycles, 0-10V dimming with motion sensing, re-programmable in the field.



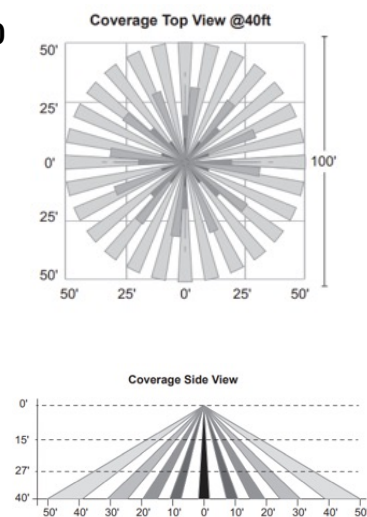
FSP-8



FSP-20



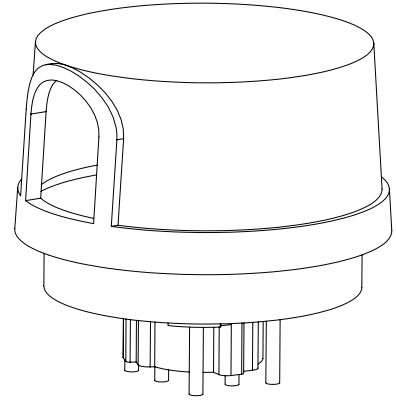
FSP-40



PRODUCT SPECIFICATIONS

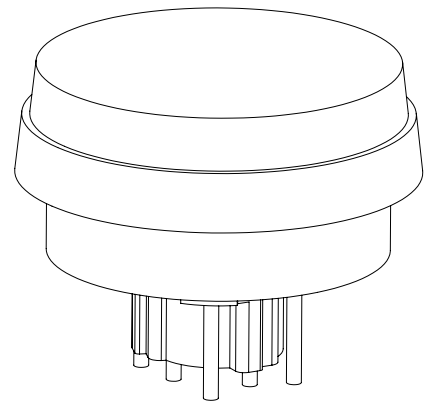
PHOTOCELL + RECEPTACLE (PCR)

7-Pin Receptacle and Electronic Twist Lock Photocell for dusk to dawn operation.



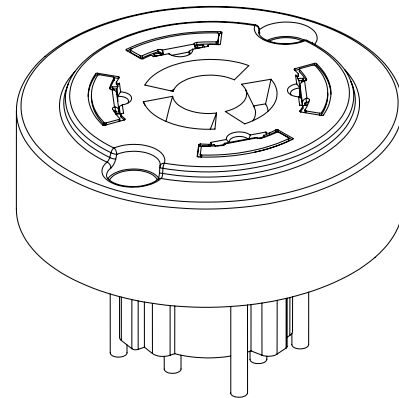
RECEPTACLE + SHORTING CAP (PER)

7-Pin Receptacle and Shorting Cap.



NEMA 7-PIN RECEPTACLE (PE7)

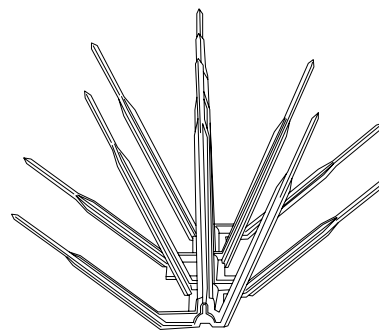
An ANSI C136.41-2013 receptacle provides electrical and mechanical interconnection between photo control cell and luminaire. Dimming receptacle available two or four dimming contacts supports 0-10 VDC dimming methods or Digital Addressable Lighting Interface (DALI), providing reliable power interconnect.



PRODUCT SPECIFICATIONS

BIRD SPIKES (BS)

Bird Spikes offers effective and humane deterrent for larger bird species and provides cost-effective long-term solution to nuisance bird infestations and protect your property.



MARINE GRADE FINISH (MGF)

The **(MGF)** is a multi step process. Chemically washed in a 5 stage cleaning system. Pre-baked. Powder coated 3-5 mils of Zinc Rich Super Durable Polyester Primer. Oven Baked. Finished Powder Coating of Super Durable Polyester Powder Coat 3-5 mil thickness.



Powder Coat Finish

3-5 mil Powder Coat

Primer Layer

3-5 mil Zinc Rich Super Durable Polyester Primer

Prepared Casting

Chemically washed in multi Step 5 stage cleaning process

BUTTON PHOTOCELL

Photo Cell for dusk to dawn operation.

