

## VTL VAPOR TIGHT 4"

PROJECT: \_\_\_\_\_

SCHEDULE: \_\_\_\_\_ DATE: \_\_\_\_\_

PREPARE BY: \_\_\_\_\_

NOTES: \_\_\_\_\_

### DESCRIPTION

naturaLED® linear vapor tight 4-inch is housed in polycarbonate silicon perimeter gasket with brackets for mounting. Engineered for powerful lighting, the IP65-rated LED Vapor Tight Linear Fixtures are designed to replace fluorescent strip fixtures and can be used in parking garage, corporate campus, education facility, storage facility, car washes, tunnels and stairwell lighting. Using up to 65% less energy and operating for up to 50,000 average life hours, our fixtures comes with selectable wattages and selectable color temperatures.



### APPLICATIONS

Corporate campus, education, healthcare facilities, parking structure, tunnels, car wash, stairwell lighting, meeting rooms, offices, schools, hospitals, hospitalities



**Rated Life Hours 50,000**  
**Warranty 5 Years**

### FEATURES

- DLC Standard
- IP65 Rated
- ETL / ETL Sanitation Rated
- Wattage & Color Selectable
- Wattage: 15-25W, 30-50W, 70-90W
- Color Temp: CCT3 (35/40/50K)
- Voltage: 120-277V
- Surge Protection: 4KV
- Dimmable: 0-10V
- CRI >80
- Operating temperature: - 40°F - 122°F
- Beam Angle: 120°, Parking Garage
- NEMA 4X
- Designed for maximum operation in commercial environments
- Lighter weight housing for easy installation
- Stainless steel hasps and clips
- Warranty: 5-Year
- Optional Accessories for Purchase: Microwave Motion Sensor, Emergency Driver, Remote Programmer, Angle Mount

### ACCESSORIES

	Microwave Motion Sensor
	Emergency Driver
	Remote Programmer
	Angle Mount

**SAMPLE NUMBER** VTL4/50S/48FR/8C3

SERIES	SIZE	WATTAGE	LENGTH/LENS	TYPE
VTL Vapor Tight Linear	4 4-inch	50S Selectable Wattage <50W	48FR 48-inch Frosted	8C3 CRI 80 CCT Selectable Color Temp 3500/4000/5000K



# VAPOR TIGHT LINEAR 4"

## CEILING & AREA LUMINAIRES

### ORDERING

\*P= Premium DLC / \*S = Standard DLC

Watts (W)	Ordering Code	Description	CCT (K)	Lumens (Lm)	Length	Equiv. Wattage (W)	Dimmable	IP65 Rating	DLC (S/P)
15	9709	VTL4/25S/24FR/8C3	3CCT	2,175	2'	2x32WT8	0-10V	•	S
20			(35/40/50K)	2,900					
25				3,625					
30	9710	VTL4/50S/48FR/8C3	3CCT	4,350	4'	2x32WT8	0-10V	•	S
40			(35/40/50K)	5,800					
50				7,250					
70	9711	VTL4/90S/96FR/8C3	3CCT	10,150	8'	6x32WT8	0-10V	•	S
80			(35/40/50K)	11,600					
90				13,050					
30	9712	VTL4/50S/48PG/8C3	3CCT	3,600	4'	2x32WT8	0-10V	•	S
40			(35/40/50K)	4,800					
50				6,000					

### ACCESSORIES (Ordered Separately)

#### Emergency Driver Kit (60W & 100W)



7336 BAEM4-60BC/MV-A  
(4W CEC-Compliant LED Emergency Driver 120-277V for #9709,9710,9712)



7334 BAEM15-48BC/MV-A  
(15W CEC-Compliant LED Emergency Driver 120-277V for #9711)

#### Surge Protector



P10389 SPD-L-10KV-277  
(10KV Surge Protection 120-277V)

P10390 SPD-L-20KV-277  
(20KV Surge Protection 120-277V)

P10391 SPD-L-20KV-480  
(20KV Surge Protection 347-480V)

#### Motion Sensor and Remote Control



P10438 SEN-HB001VCR-1  
(Remote Programmable Microwave Motion Sensor 0-10V Bi-Level Internal 12V Low Voltage)



P10590 SEN-HD027VCR  
(Remote Programmable Microwave Motion Sensor 0-10V Bi-Level Internal 12V Low Voltage (Remote Programmer is required to program it))



P10323 SEN-HD06R  
(Remote Programmer for P10438/P10590)

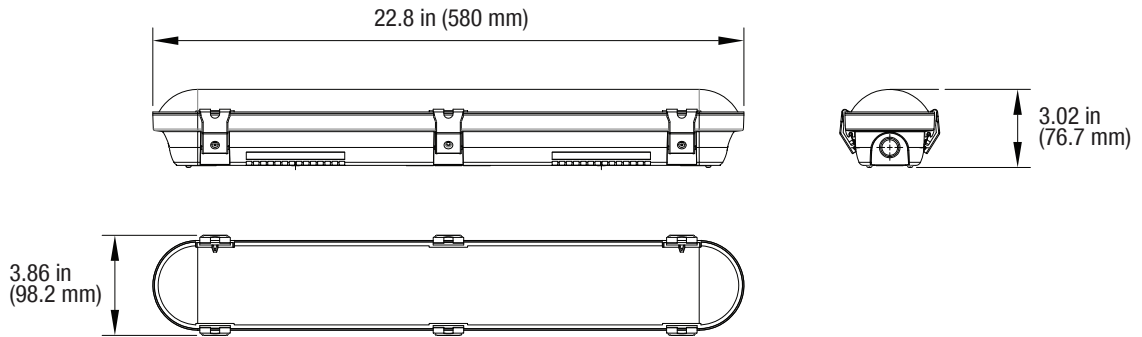
#### Angle Mount



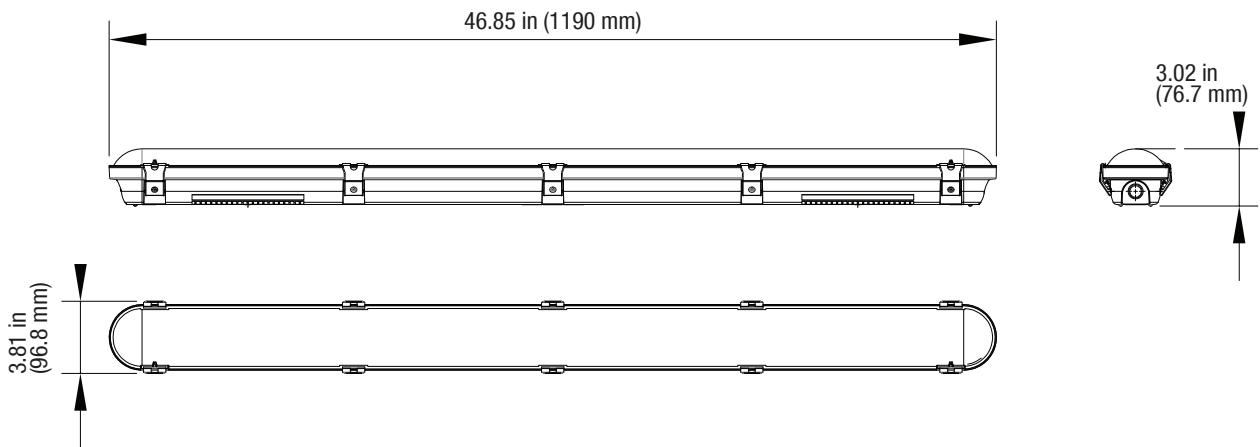
P10411 MT-Linear-45/90  
(45°/90° Angle Mount Bracket for 2-ft & 4-ft  
\*only work on 90°)

DIMENSIONS

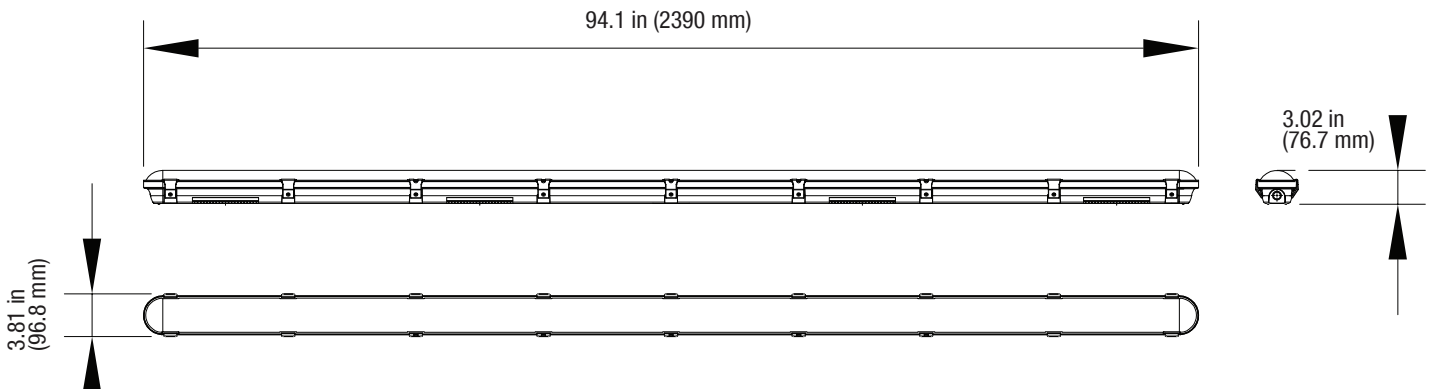
2-ft



4-ft



8-ft



**PACKAGE**

---

**Case Qty** 1 pc

