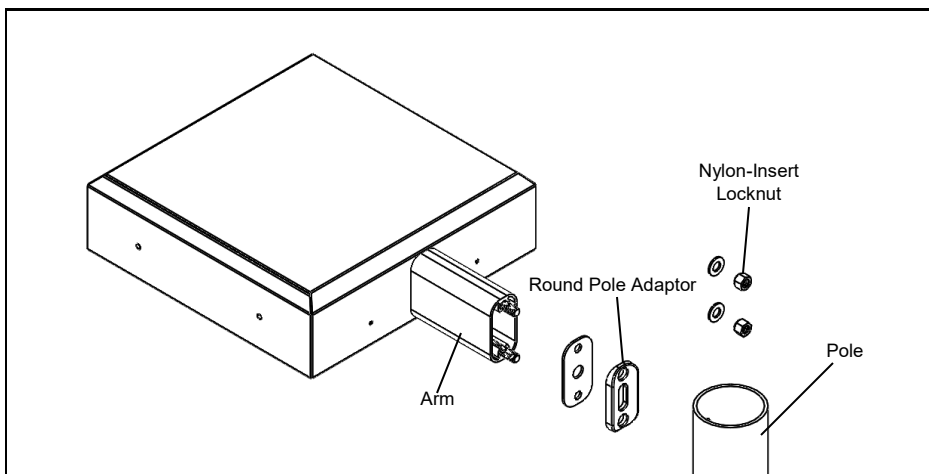
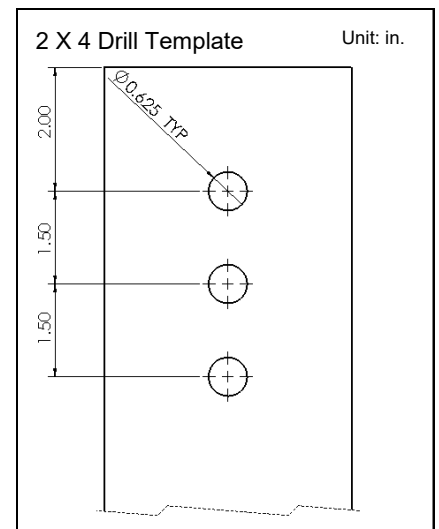
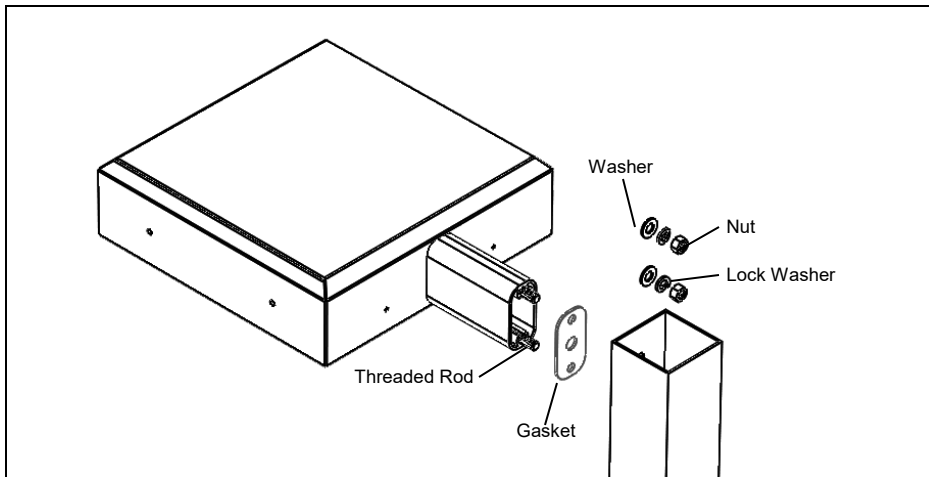
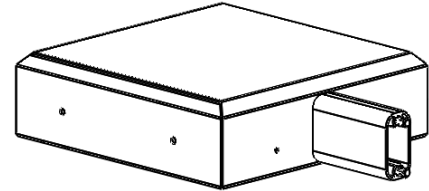


WARNING: RISK OF FIRE OR ELECTRICAL SHOCK

NOTE: INSTALLATION SHALL BE PERFORMED BY A LICENSED ELECTRICAL CONTRACTOR. MAINTAIN THESE WARNINGS AND INSTRUCTIONS AS A GUIDE FOR FUTURE INSTALLATION REQUIREMENTS. TO AVOID POSSIBLE RISK OF FIRE OR SHOCK, TURN OFF POWER PRIOR TO INSTALLATION, MAINTENACE OR LAMP REPLACEMENT PREFERBLY AT THE CIRCUIT BREAKER. VERIFY THE EXISTING INPUT VOLTAGE AND SELECT MATCHING VOLTAGE ACCORDINGLY BEFORE WIRING.

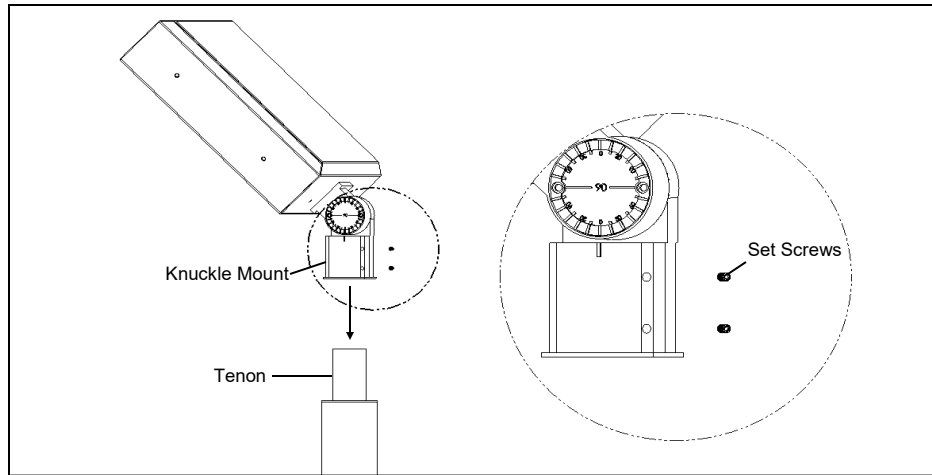
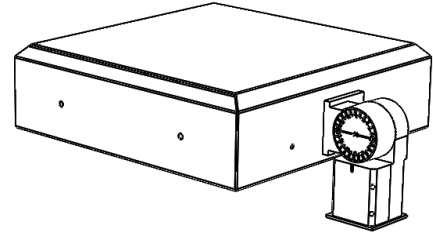
A. Direct Pole Mount

1. Insert the 1/2-13 Threaded Rods into the Pole. Make sure the Gasket is between the Arm and the Pole.
2. Secure with Nuts, Washers, and Lock Washers. Tighten Nuts with a 3/4 Socket Wrench.
3. Make supply voltage and ground connections.
4. Cap the top of the Pole after making voltage and ground connections.



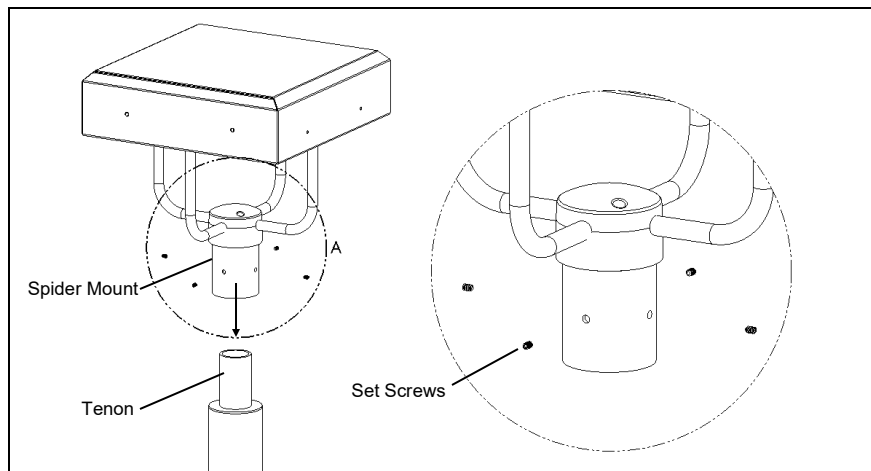
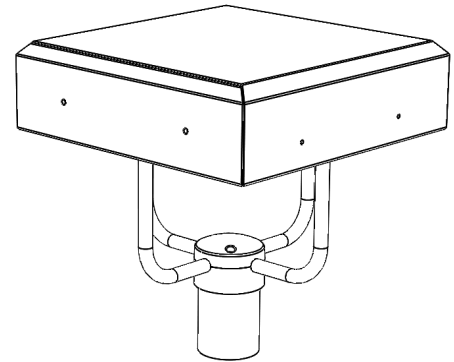
B. Knuckle Mount

1. Make supply voltage and ground connections.
2. Place slip-fitter over 2 3/8" tenon and tighten with (2) 5/16-18 Set-Screws (provided) with a 5/32 Allen Key.



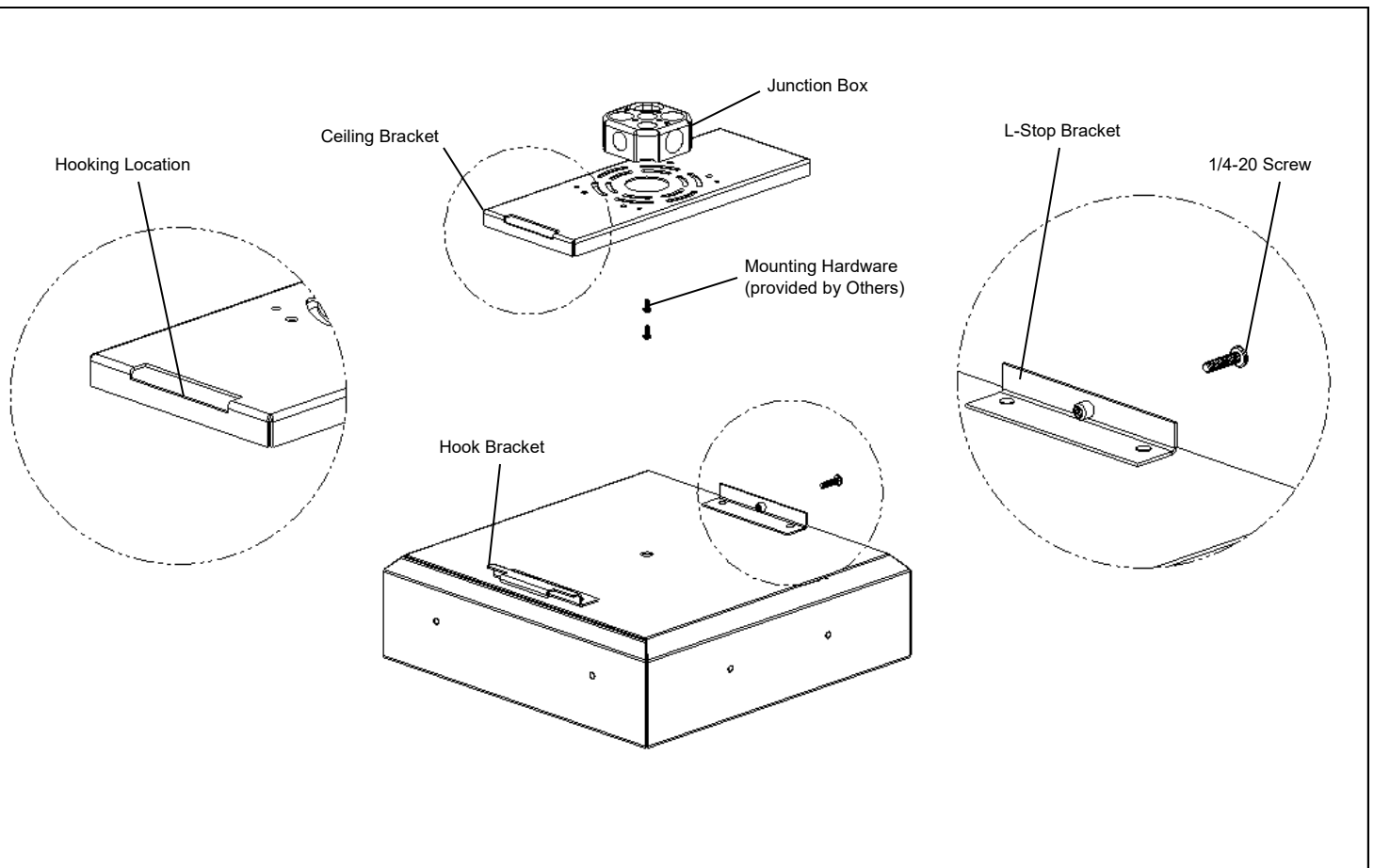
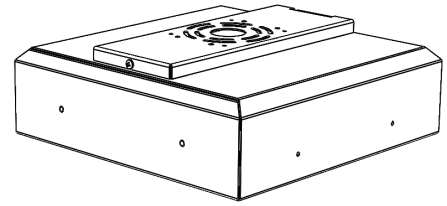
C. Spider Mount

1. Make supply voltage and ground connections.
2. Place slip-fitter over tenon and tighten with (4) 3/8-16 Set-Screws (provided) with a 3/16 Allen Key.



D. Ceiling Mount

1. Mount the Ceiling Bracket to the Junction Box (Mounting Hardware provided by Others).
2. Make supply voltage and ground connections.
3. Link the Hook Bracket to the hooking location of the Ceiling Bracket, then align the fixture parallel to the Ceiling Bracket. Insert and tighten the 1/4-20 Screw through the L-Stop Bracket.



E. Pendant Mount

1. Mount the Mounting Bracket to the Junction Box (Mounting Hardware provided by Others).
2. Connect the Threaded Rod to the Coupling. Make sure the wires run through the Threaded Rod. Slide the Canopy down the Threaded Rod.
3. Place the Swivel in the Ceiling Bracket (As shown below) Run the wires through the Swivel and connect the Threaded Rod to the Swivel.
4. Make supply voltage and ground connections.
5. Move the Canopy up to the Mounting Bracket then, twist the Canopy counter-clockwise to lock it to the Mounting Bracket.

