

PEAK JR

Small Full Cut-off Wall Luminaire

| | | |
|-----------|------|--------------|
| MODEL NO. | TYPE | PROJECT/DATE |
|-----------|------|--------------|

KEY FEATURES

- Modern rectilinear design
- Multiple distributions option available for different applications
- Standard lumen and CCT changeable
- Zero uplight dark sky compliant

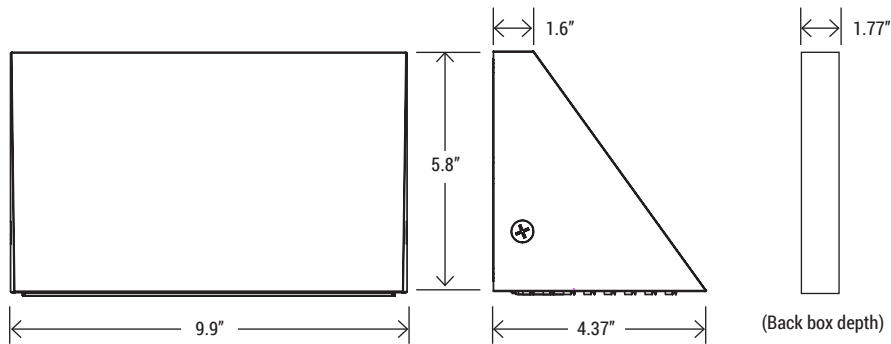
TECHNICAL SUMMARY

| | |
|-------------------|---|
| SIZE | Small |
| WATTAGE | 30W/24W/18W/12W |
| LUMEN*/EFFICACY | 3700LM/3100LM/2400LM/1600LM up to 150LM/W |
| INPUT VOLTAGE | 120-277Vac, 277-480Vac optional |
| AVAILABLE CCT/CRI | 30/40/50K changeable; CRI >70 |
| CONTROL | On/off, On/off with button photocell, 0-10V Bi-level micro-wave motion sensor |
| VALIDATIONS | UL & cUL wet location listed, IP65, IK08(lens), IK10(housing) FCC, RoHS, |
| LIFETIME | L90> 50,000 hours, 5 year warranty |
| DISTRIBUTION | Type General |
| OPERATION TEMP. | -40°F ~ 113°F (w/o EM) / 32°F ~ 113°F (with EM0) / -4°F ~ 113°F (with EMC4) |
| FINISH | Dark Bronze, Black, White |

*Delivered lumen may vary, refer to photometric for full performance data



DIMENSIONS



| | | | |
|--------|----------|-------------|-------|
| Weight | 4.38 lbs | W/ back box | 5 lbs |
|--------|----------|-------------|-------|

PEAK JR

Small Full Cut-off Wall Luminaire

| | | |
|-----------|------|--------------|
| MODEL NO. | TYPE | PROJECT/DATE |
|-----------|------|--------------|

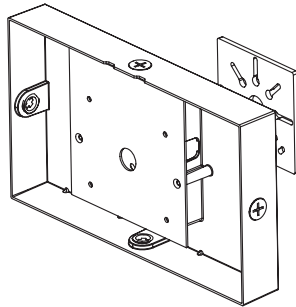
ORDERING INFORMATION

*Additional cost and/or lead time on customized fixtures may apply.

| <input type="text"/> | - | <input type="text"/> | - | <input type="text"/> | - | <input type="text"/> | - | <input type="text"/> | - | <input type="text"/> | - | <input type="text"/> |
|----------------------|--------------------|--|---|---|----------------------------|--|---|---|---|----------------------|---|----------------------|
| Series | Size | Lumen Package | Input Voltage | CCT | Distribution | Control | Finish | EM Option* | | | | |
| WPFP | S - (Small) | 37LC - (3700/3100/ 2400/1600LM) | U - (120-277V) H - (277V-480V)** | CC - (30K/40K/50K Color Changeable) | TG - (Type General) | CO - (On/off) COP - (On/off with button photocell) CMM - (0-10V Bi-level microwave motion sensor)* CMB - (0-10V Bi-level motion sensor with button photocell)* | DB - (Dark Bronze) B - (Black) W - (White) | EM0 - (4W Factory Installed Integrated EM) EMC4 - (4W Factory Installed Cold Rated Integrated EM) | | | | |
| | | | | | | <i>**COP, CMM & CMB option not available for High Voltage (H)</i> | | <i>**EM not available for High Voltage (H)</i> | | | | |



BRI810-B-M7
Bi-level Microwave
Motion Sensor



WPFP-S-JSS

*AVAILABLE ACCESSORIES: (Sold separately)

*Accessories

- CMM-BIR810-B-M7** - (Bi-level motion sensor)
- RC-100** - (Remote Control)
- WPFP-S-JSS-[DB/B/W]** - (WPFP-S backbox with 4 direction conduit knockouts)

SPECIFICATIONS

CONSTRUCTION

The single-piece cast aluminum housing optimized thermal dissipation from the LED engine and promote long life. The die-cast door frame is fully gasketed with a silicone gasket to keep out moisture and dust, providing an IP65 rating.

FINISH

Exterior parts are protected by a zinc-infused Super Durable TGIC thermoset powder coat finish that provides superior resistance to corrosion and weathering.

OPTICS/DIFFUSER

UV stabilized polycarbonate optic engineered for superior application efficiency which maximizes the light in the areas where it is most needed.

ELECTRICAL

Light engine consists of high-efficacy LEDs mounted to aluminum boards to maximize heat dissipation, reported L90 >50,000 hours. A Class 2, constant current 0-10V dimmable driver with 120V-277Vac, 50-60 HZ. Ships with field enable/disable button photocell.

MOUNTING

Wall Mount.

VALIDATIONS

UL & cUL wet location listed, IP65, IK08 (lens), IK10 (housing)FCC, RoHS, Dark Sky Compliant,