

alora mood

P. 1.855.855.8926

CANADA: 19054 28TH Avenue Surrey - BC V3Z 6M3

USA: 3035 E. Lone Mountain Rd - Las Vegas, NV, 89081

EMERSON WV412009



FIXTURE DIMENSIONS	W8-3/4" x H12-3/4" x E9-1/8"
HEIGHT FROM CENTER	10-1/2"
EXTENSION	9-1/8"
LAMP TYPE	E26
MAX WATTAGE	60W
BULB QTY	1
BULBS INCLUDED	No
VOLTAGE	120V
MATERIAL	Steel
INSTALL OPTIONS	Down Only
LOCATION	Damp
CANOPY DIMENSIONS	D4-5/8" x E5/8"
PAINT FINISH	AG01; MB01;

[D - Diameter, L - Length, W - Width, H - Height, E - Extension]

AVAILABLE FINISHES:

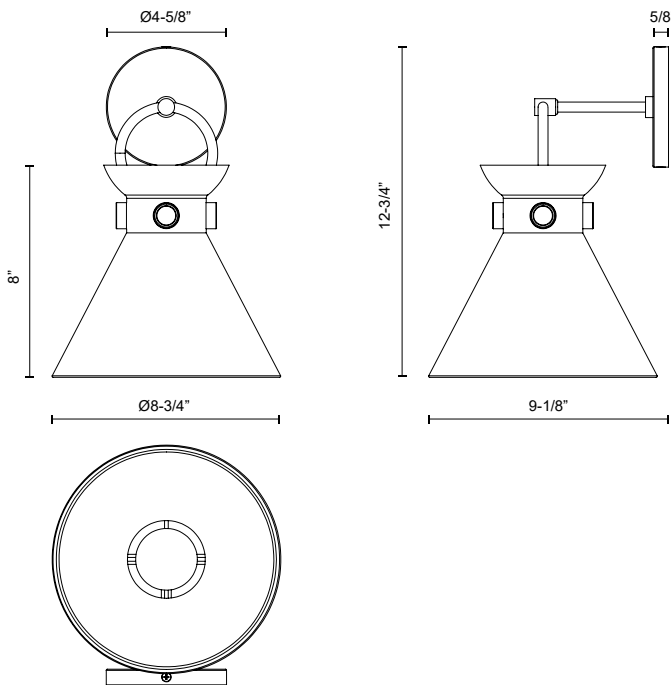


WV412009AG
Aged Gold



WV412009AGMB
Aged Gold/Matte
Black

*For complete warranty terms, please visit: www.aloralighting.com/warranty



WWW.ALORAMOOD.COM

© 2023 KUZCO LIGHTING. ALL RIGHTS RESERVED.

