

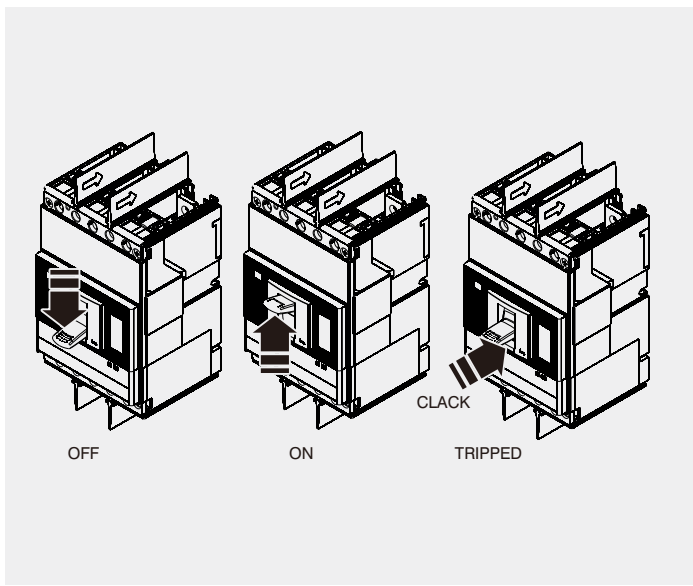
# SACE Tmax XT



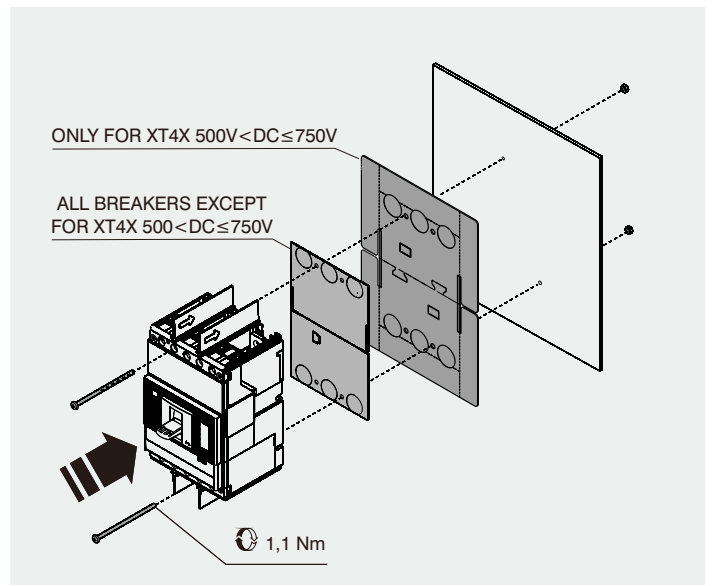
Istruzioni di installazione XT4 IEC  
Installation instructions XT4 IEC  
Installationsanleitung XT4 IEC  
Instructions pour l'installation XT4 IEC  
Instrucciones de instalación XT4 IEC  
安装说明书 XT4 IEC

1

XT4 3p-4p

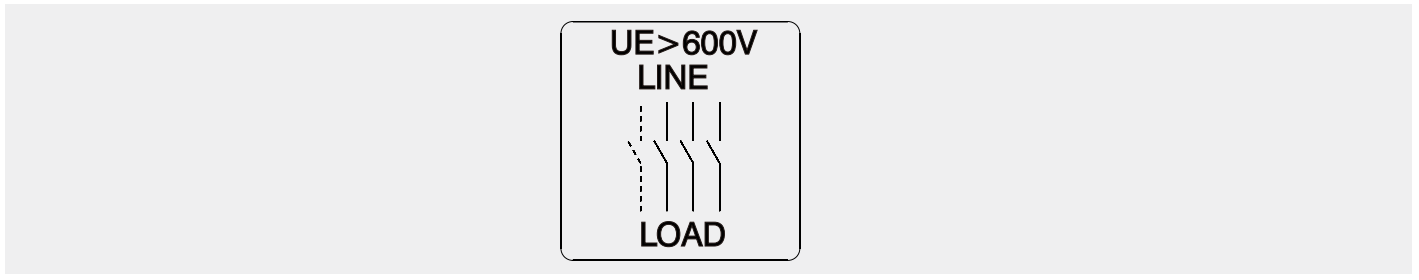


2



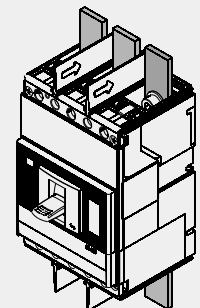
3

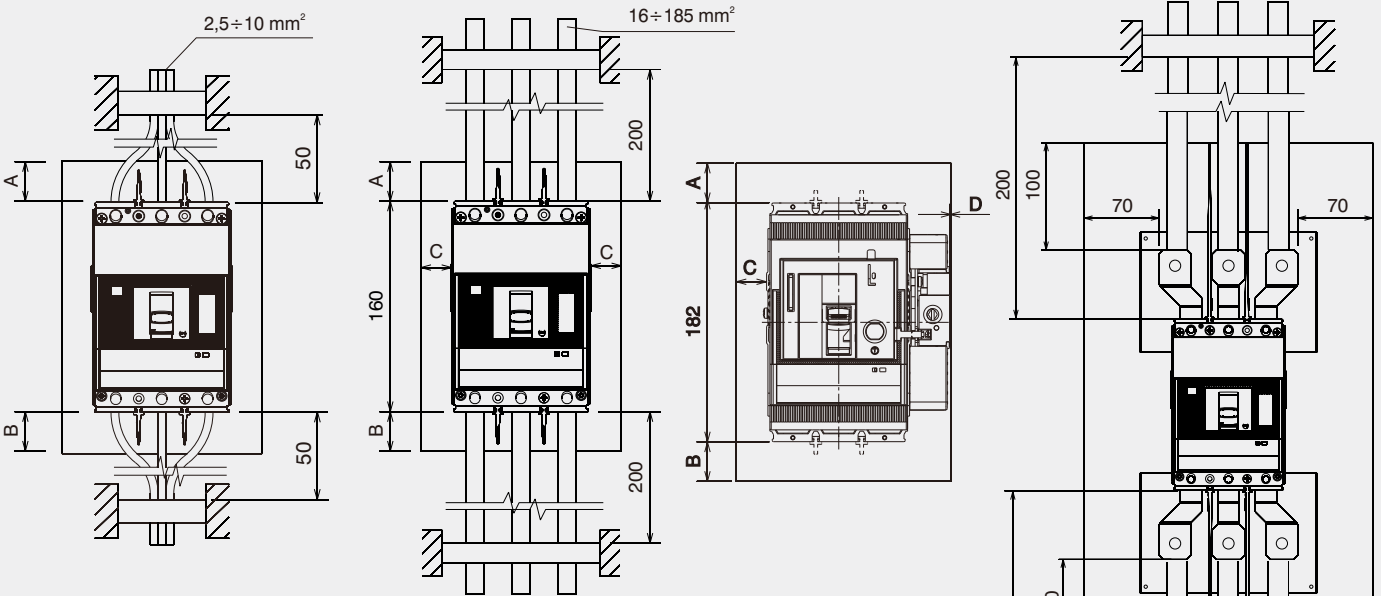
XT4 3p-4p UE > 600V



4

- Usare cavi o barre isolate/ o eseguire prove di tipo specifiche sull' installazione.
- Use cable or insulated busbars/ or perform specific type test on the installation.
- Kabel oder isolierte Sammelschienen verwenden / oder die spezifische Typprüfung auf der Installation durchführen.
- Utiliser un câble ou des barres isolées/ ou réaliser un test de type spécifique sur installation.
- Utilizar un cable o barras aisladas / o efectuar una prueba de tipo específico sobre instalación.
- 使用电缆或经绝缘处理的母排，否则需对安装进行指定的型式试验

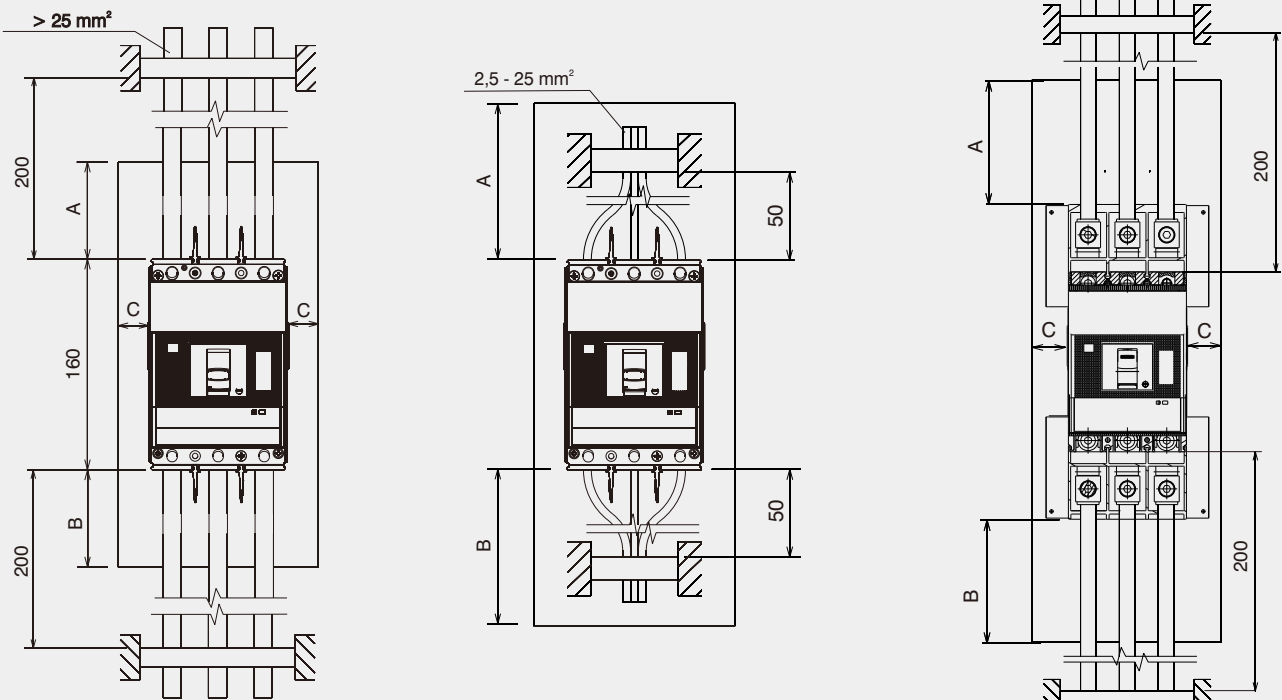




XT4 N,S,H,L,V				
Ue	A	B	C	D
AC ≥440V	50	45*	20	0
AC <440V	30	25	10	0
DC ≤250V	50	45	20	0
250V < DC ≤500V	50	45	50	30

\* For XT4V at Ue=690V B=50mm

-Dimensioni valide per tutte le tensioni e tutte le versioni con terminali ES  
 -Dimensions valid for all voltages and all versions with ES terminals  
 -Abmessungen gelten für alle Spannungen und alle Versionen mit ES-Anschlüsse  
 -Dimensions valables pour toutes les tensions et toutes les versions avec prises ES  
 -Dimensiones válidas para todos los voltajes y todas las versiones con terminales ES



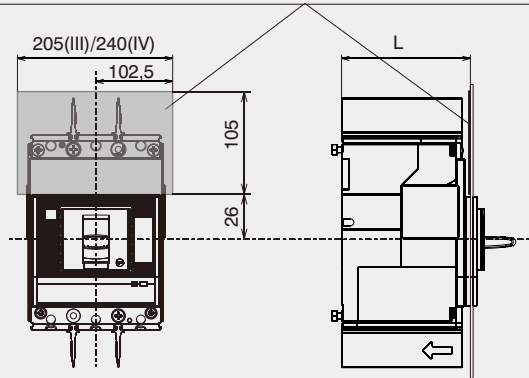
XT4X				
Ue	A	B	C	D
UP TO 690V AC <sup>(1)</sup>	100	100	50	0
UP TO 500V DC <sup>(2)</sup>	50	45	50	30
500V < DC ≤750V <sup>(2)</sup>	100	100	50	30

<sup>(1)</sup> FC CuAl In ≤200A  
<sup>(2)</sup> Up to 250A

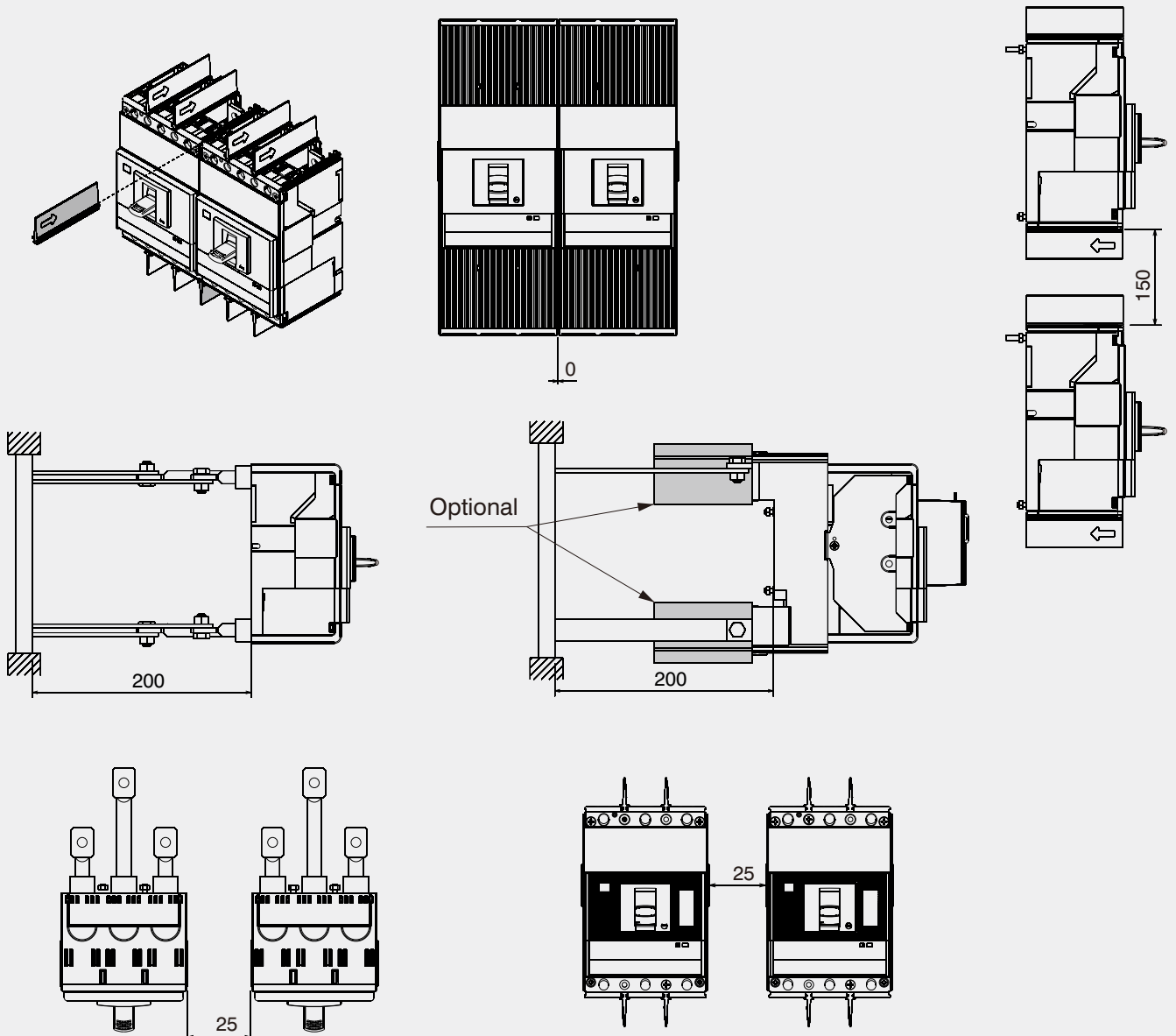
XT4X				
Ue	A	B	C	D
UP TO 690V AC**	40	40	50	0

\*\* EF+FC CuAl In=250A

- Piastra di isolamento obbligatoria per XT4X 750V dc L<125 mm, spessore max 1 mm, a cura del Cliente.
- Mandatory insulating plate for XT4X 750V dc L<125 mm, max. thickness 1 mm, under Customer's responsibility.
- Trennplatte obligatorisch für XT4X 750V dc L<125 mm, max. Stärke 1 mm, vom Kunden beizustellen.
- Plaque d'isolement obligatoire pour XT4X 750V dc L<125 mm, épaisseur max 1 mm, à la charge du Client.
- Plata de aislamiento obligatoria para XT4X 750V dc L<125 mm, máx. espesor 1 mm, a cargo del Cliente.
- XT4X 750V dc L<125 mm时, 客户必须安装最大厚度为1mm的绝缘板。

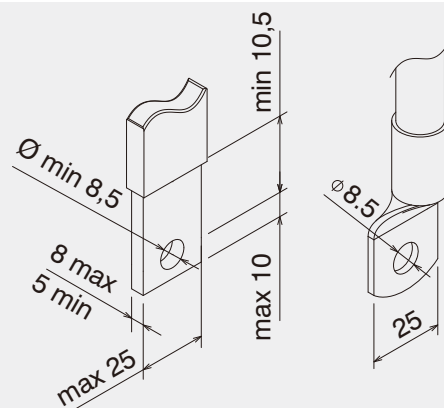


7



Terminali Terminals Anschlusse Prises Terminales 端子类型	Codici Codes Codes Codes Códigos 物料编号	Istruzioni d'installazione Installation instructions Installationsanleitung Instructions pour l'installation Instrucciones de instalación 安装说明	Dimensioni di ingombro Overall dimensions Abmessungen Dimensions d'encombrement Dimensiones generales 全部尺寸				
<b>F</b>	<table border="1"><tr><td>1SDA066861R1</td><td>1/2 Kit - 3p</td></tr><tr><td>1SDA066862R1</td><td>1/2 Kit - 4p</td></tr></table>	1SDA066861R1	1/2 Kit - 3p	1SDA066862R1	1/2 Kit - 4p	1SDH000719R0811	1SDH000722R0100
1SDA066861R1	1/2 Kit - 3p						
1SDA066862R1	1/2 Kit - 4p						
<b>EF</b>	<table border="1"><tr><td>1SDA066877R1</td><td>1/2 Kit - 3p</td></tr><tr><td>1SDA066878R1</td><td>1/2 Kit - 4p</td></tr></table>	1SDA066877R1	1/2 Kit - 3p	1SDA066878R1	1/2 Kit - 4p	1SDH000719R0804	1SDH000722R0144
1SDA066877R1	1/2 Kit - 3p						
1SDA066878R1	1/2 Kit - 4p						
<b>ES</b>	<table border="1"><tr><td>1SDA066901R1</td><td>1/2 Kit - 3p</td></tr><tr><td>1SDA066902R1</td><td>1/2 Kit - 4p</td></tr></table>	1SDA066901R1	1/2 Kit - 3p	1SDA066902R1	1/2 Kit - 4p	1SDH000719R0805	1SDH000722R0101
1SDA066901R1	1/2 Kit - 3p						
1SDA066902R1	1/2 Kit - 4p						
<b>FC CuAl</b> 1x1... 150 mm <sup>2</sup>	<table border="1"><tr><td>1SDA067191R1</td><td>1/2 Kit - 3p</td></tr><tr><td>1SDA067192R1</td><td>1/2 Kit - 4p</td></tr></table>	1SDA067191R1	1/2 Kit - 3p	1SDA067192R1	1/2 Kit - 4p	1SDH000719R0806	1SDH000722R0102
1SDA067191R1	1/2 Kit - 3p						
1SDA067192R1	1/2 Kit - 4p						
<b>FC CuAl</b> 1x120... 240mm <sup>2</sup> + ADP	<table border="1"><tr><td>1SDA067195R1<sup>(1)</sup></td><td>1/2 Kit - 3p</td></tr><tr><td>1SDA067196R1<sup>(1)</sup></td><td>1/2 Kit - 4p</td></tr></table>	1SDA067195R1 <sup>(1)</sup>	1/2 Kit - 3p	1SDA067196R1 <sup>(1)</sup>	1/2 Kit - 4p	1SDH000719R0643	
1SDA067195R1 <sup>(1)</sup>	1/2 Kit - 3p						
1SDA067196R1 <sup>(1)</sup>	1/2 Kit - 4p						
<b>FC Cu Al</b> 2x35... 120 mm <sup>2</sup>	<table border="1"><tr><td>1SDA067199R1</td><td>1/2 Kit - 3p</td></tr><tr><td>1SDA067200R1</td><td>1/2 Kit - 4p</td></tr></table>	1SDA067199R1	1/2 Kit - 3p	1SDA067200R1	1/2 Kit - 4p	1SDH000719R0816	1SDH000722R0102
1SDA067199R1	1/2 Kit - 3p						
1SDA067200R1	1/2 Kit - 4p						
<b>FC Cu Al</b> 2x50... 150 mm <sup>2</sup>	<table border="1"><tr><td>1SDA117915R1</td><td>1/2 Kit - 3p</td></tr><tr><td>1SDA117916R1</td><td>1/2 Kit - 4p</td></tr></table>	1SDA117915R1	1/2 Kit - 3p	1SDA117916R1	1/2 Kit - 4p	1SDH000721R0816	1SDH000722R0102
1SDA117915R1	1/2 Kit - 3p						
1SDA117916R1	1/2 Kit - 4p						
<b>FC Cu</b>	<table border="1"><tr><td>1SDA066917R1</td><td>1/2 Kit - 3p</td></tr><tr><td>1SDA066918R1</td><td>1/2 Kit - 4p</td></tr></table>	1SDA066917R1	1/2 Kit - 3p	1SDA066918R1	1/2 Kit - 4p	1SDH000719R0807	1SDH000722R0103
1SDA066917R1	1/2 Kit - 3p						
1SDA066918R1	1/2 Kit - 4p						
<b>MC</b> 6x2.5... 35mm <sup>2</sup>	<table border="1"><tr><td>1SDA066933R1</td><td>1/2 Kit - 3p</td></tr><tr><td>1SDA066934R1</td><td>1/2 Kit - 4p</td></tr></table>	1SDA066933R1	1/2 Kit - 3p	1SDA066934R1	1/2 Kit - 4p	1SDH000719R0818	1SDH000722R0103
1SDA066933R1	1/2 Kit - 3p						
1SDA066934R1	1/2 Kit - 4p						
<b>R</b>	<table border="1"><tr><td>1SDA066949R1</td><td>1/2 Kit - 3p</td></tr><tr><td>1SDA066950R1</td><td>1/2 Kit - 4p</td></tr></table>	1SDA066949R1	1/2 Kit - 3p	1SDA066950R1	1/2 Kit - 4p	1SDH000719R0809	1SDH000719R0104
1SDA066949R1	1/2 Kit - 3p						
1SDA066950R1	1/2 Kit - 4p						
<b>FB</b>	<table border="1"><tr><td>1SDA066969R1</td><td>1/2 Kit - 3p</td></tr><tr><td>1SDA066970R1</td><td>1/2 Kit - 4p</td></tr></table>	1SDA066969R1	1/2 Kit - 3p	1SDA066970R1	1/2 Kit - 4p	1SDH000719R0814	
1SDA066969R1	1/2 Kit - 3p						
1SDA066970R1	1/2 Kit - 4p						

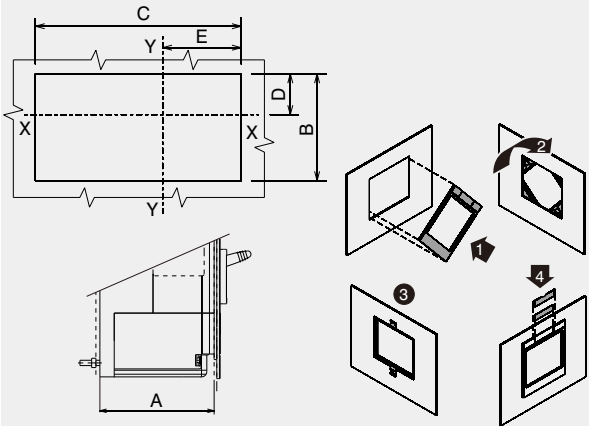
Terminali Terminals Anschlusse Prises Terminales 端子类型	Codici Codes Codes Codes Códigos 物料编号	Istruzioni d'installazione Installation instructions Installationsanleitung Instructions pour l'installation Instrucciones de instalación 安装说明	Dimensioni di ingombro Overall dimensions Abmessungen Dimensions d'encombrement Dimensiones generales 全部尺寸	
EF	1SDA066266R1	1/2 Kit - 3p	1SDH000719R0817	1SDH000722R0108 P 1SDH000722R0113 W
	1SDA066267R1	1/2 Kit - 4p		
ES	1SDA066901R1	1/2 Kit - 3p	1SDH000719R0805	1SDH000722R0105 P 1SDH000722R0110 W
	1SDA066902R1	1/2 Kit - 4p		
FC CuAl 1x1... 150 mm <sup>2</sup>	1SDA067191R1	1/2 Kit - 3p	1SDH000719R0806	1SDH000722R0106 P 1SDH000722R0111 W
	1SDA067192R1	1/2 Kit - 4p		
FC CuAl 1x120... 240mm <sup>2</sup> + ADP	1SDA067195R1 <sup>(1)</sup>	1/2 Kit - 3p	1SDH000719R0643	
	1SDA067196R1 <sup>(1)</sup>	1/2 Kit - 4p		
FC Cu Al 2x35... 120 mm <sup>2</sup>	1SDA067199R1	1/2 Kit - 3p	1SDH000719R0816	1SDH000722R0136 P 1SDH000722R0137 W
	1SDA067200R1	1/2 Kit - 4p		
FC Cu Al 2x50... 150 mm <sup>2</sup>	1SDA117915R1	1/2 Kit - 3p	1SDH000721R0816	1SDH000722R0136 P 1SDH000722R0137 W
	1SDA117916R1	1/2 Kit - 4p		
FC Cu	1SDA066917R1	1/2 Kit - 3p	1SDH000719R0807	1SDH000722R0107 P 1SDH000722R0112 W
	1SDA066918R1	1/2 Kit - 4p		
MC 6x2.5... 35mm <sup>2</sup>	1SDA066933R1	1/2 Kit - 3p	1SDH000719R0818	1SDH000722R0107 P 1SDH000722R0112 W
	1SDA066934R1	1/2 Kit - 4p		
HR/VR	1SDA066272R1	1/2 Kit - 3p	1SDH000719R0809	1SDH000722R0109 P 1SDH000722R0114 W
	1SDA066273R1	1/2 Kit - 4p		
FB	1SDA066969R1	1/2 Kit - 3p	1SDH000719R0814	
	1SDA066970R1	1/2 Kit - 4p		



XT4 F-P

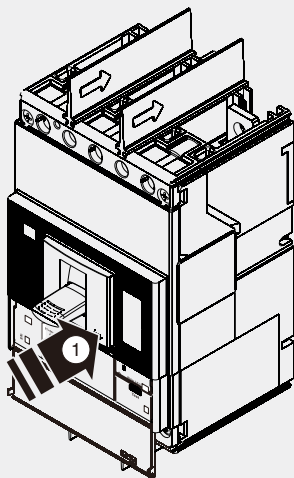
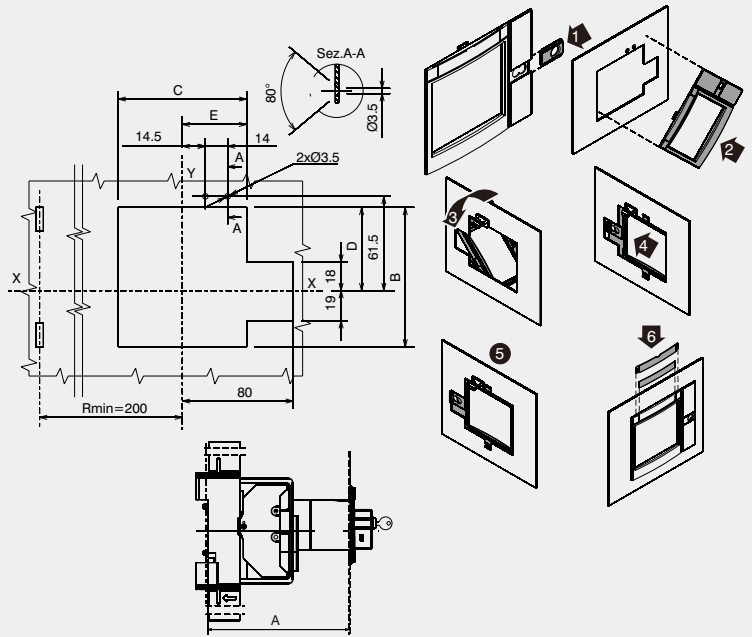
XT4 WITHOUT FLANGE SENZA MOSTRINA		A						
		F	P		B	C	D	E
			50mm	70mm				
3P-4P	91,5	141,5	161,5	43	47	17	23,5	
3P	83,5	133,5	153,5	89	102	25	51	
4P	83,5	133,5	153,5	89	137	25	51	

XT4 WITH FLANGE CON MOSTRINA		A						
		F	P		B	C	D	E
			50mm	70mm				
3P	86	136	156	97	110	21	55	
4P	86	136	156	97	145	21	55	
OPTIONAL FLANGE 3P-4P	92	142	162	73	57	32	28,5	

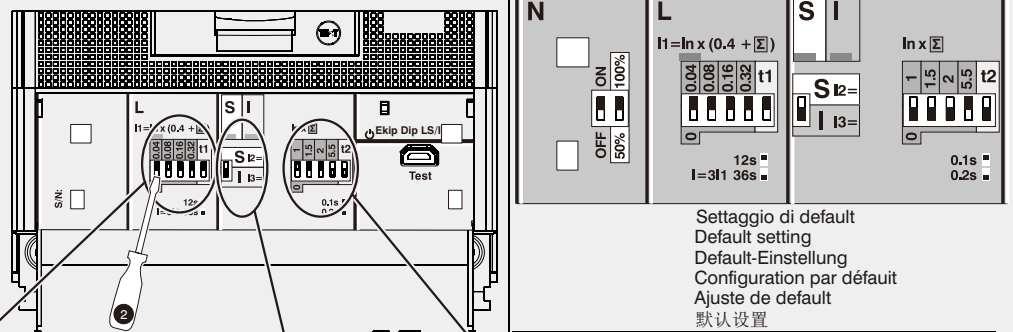


XT4 W

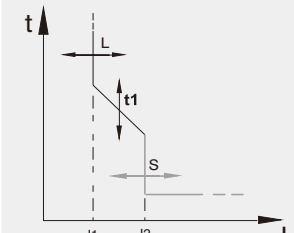
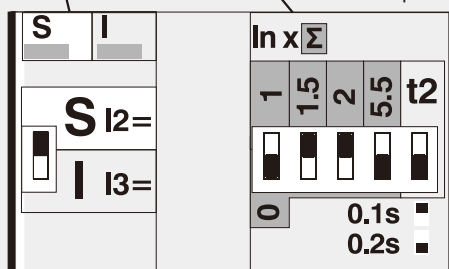
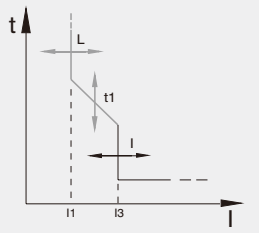
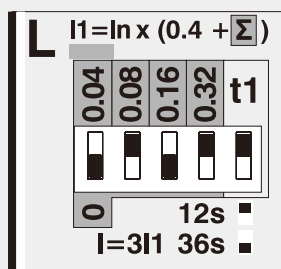
XT4 W			A		B	C	D	E
			50mm	70mm				
FLD	3P-4P	170	190	91	101	55	50,5	
RHD	3P-4P	170	190	89	82	55,5	41	
MOE	3P-4P	222	-	91	101	55	50,5	



LED	Color	CONDITION	Run time
	Green	LED ON (fixed)	= Device active
L	Red	LED Fixed = L pre alarm ( $0,9 * I1 < I < 1,2 * I1$ )	LED Blinking = L alarm ( $I > 1,2 * I1$ )
S	Red	LED Blinking = S alarm ( $I > I2$ )	
L   S   I	Red	LED Blinking = Parameters inconsistency - L = S or L = I. LED Blinking without Parameters inconsistency = generic fault (please contact ABB)	



Esempio:  
In = 100 A  
Example:  
I1 =  $100 \times (0,4 + 0,08 + 0,32) = 80A$   
t1 = 12 s @240 A (3I<sub>1</sub>)



Esempio:  
Example:  
In = 100 A  
I2 =  $100 \times (1,5 + 2) = 350A$   
t2 = 0,2 s @ In > I<sub>2</sub>

Settaggio di default  
Default setting  
Default-Einstellung  
Configuration par défaut  
Ajuste de default  
默认设置

1

**PROCEDURA DI CONTROLLO**  
 - CONTROLLO LED: tutti i led del relè si devono accendere  
 - ULTIMA INDICAZIONE DI TRIP: se presente nella memoria del relè  
 - LED: resta acceso finchè l'unità TT e' connessa al relè  
 - PRONTO PER TRIP

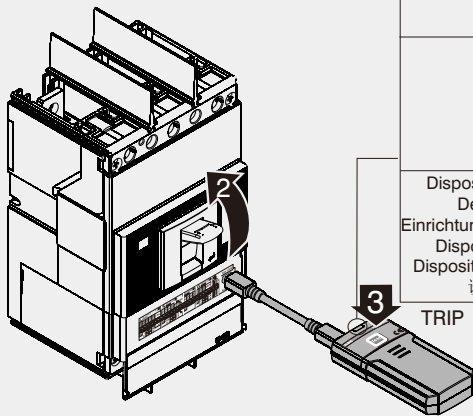
**DIAGNOSTIC PROCEED**  
 - UNIT CHECK LED: all the leds in the relay must come on  
 - LAST TRIP INDICATION: if present in the relay's data store  
 - LED: remains on for as long as the TT is connected to the relay  
 - READY TO TRIP

**DIAGISTIKABLAUF**  
 - EINEITHSPRUF-LED: Alle LEDs des Relais müssen aufleuchten  
 - ANGABE DER LETZTEN AUSLOSUNG: Wenn im Speicher des Relais vorhanden.  
 - LED: Bleibt angeschaltet, bis die Einheit TT an die Relais angeschlossen ist.  
 - AUSLOSEBEREIT

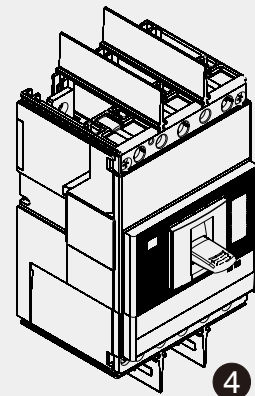
**PROCÉDURE DE DIAGNOSTIC**  
 - UNIT CHECK LED : toutes les diodes du relais doivent s'allumer  
 - LAST TRIP INDICATION : si présente dans la mémoire du relais  
 - LED: la DIODE reste allumée tant que l'unité TT est connectée au relais  
 - READY TO TRIP

**PROCEDIMIENTO DIAGNOSTICO**  
 - LED CONTROL UNIDAD: todos los led del relé se deben encender  
 - INDICACION ULTIMA ACTUACION: si está presente en la memoria del relé  
 - LED: queda encendido mientras la unidad TT permanece conectada con el relé  
 - LISTO PARA LA ACTUACION

**自诊断流程**  
 - 脱扣器功能指示灯: 各功能指示灯依次闪烁  
 - 前次脱扣指示: 如果在脱扣器内有存储  
 - LED指示灯: TT连接到脱扣器后保持常亮  
 - 诊断就绪

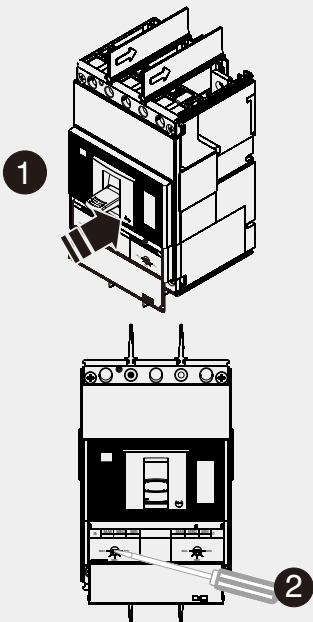


LED Ekip TT	
Verde Green Grün Vert Verde 绿	Rosso Red Rot Rouge Rojo 红
Dispositivo acceso Device ON Einrichtung eingeschaltet Dispositif allumé Dispositivo encendido 设备运行	Sostituire batterie Change battery Batterie ersetzen Remplacer batteries Sustituir baterías 更换电池



14

XT4 TM



		I1			
		In	MIN (0,7)	MED (0,85)	MAX (1xIn)
TMD	16	11,2	13,6	16	
	20	14	17	20	
	25	17,5	21,2	25	
	32	22,4	27,2	32	
	TMA	40	28	34	40
50		35	42,5	50	
63		44,1	53,5	63	
80		56	68	80	
100		70	85	100	
125		87,5	106,2	125	
160		112	136	160	
200		140	170	200	
225		157,5	191,2	225	
250		175	212,5	250	

		I3			
		In	MIN (5)	MED (7,5)	MAX (10xIn)
MA	10	50	75	100	
	12,5	62,5	93,7	125	
	20	100	150	200	
	32	160	240	320	
	52	260	390	520	
	80	400	600	800	
	100	500	750	1000	
	125	625	937,5	1250	
	160	800	1200	1600	
	200	1000	1500	2000	
TMA	40	300	350	400	
	50	300	400	500	
	63	315	472,5	630	
	80	400	600	800	
	100	500	750	1000	
	125	625	937,5	1250	
	160	800	1200	1600	
	200	1000	1500	2000	
	225	1125	1687,5	2250	
	250	1250	1875	2500	

15



**ATTENZIONE!** Istruzioni relative alla Trip unit Ekip Touch sono reperibili con il documento [1SDH002031A1001](#).  
**WARNING!** Instructions on Ekip Touch Trip unit are available with document [1SDH002031A1002](#).  
**ACHTUNG!** Anweisungen zu Trip unit Ekip Touch finden Sie mit dem Dokument [1SDH002031A1003](#).  
**ATTENTION!** Instructions concernant Trip unit Ekip Touch peuvent être trouvées avec le document [1SDH002031A1004](#).  
**ATENCIÓN!** Instrucciones sobre Trip unit Ekip Touch se encuentran con el documento [1SDH002031A1005](#).  
**警告!** Ekip Touch脱扣器有可用的说明文件 [1SDH002031A1002](#).

16



**ATTENZIONE!** Istruzioni relative ai Test dielettrici sono reperibili con il documento [1SDH002267A1001](#).  
**WARNING!** Instructions on Dielectric tests are available with document [1SDH002267A1001](#).  
**ACHTUNG!** Anweisungen zu Dielektrische Prüfungen finden Sie mit dem Dokument [1SDH002267A1001](#).  
**ATTENTION!** Instructions concernant Essais diélectriques peuvent être trouvées avec le document [1SDH002267A1001](#).  
**ATENCIÓN!** Instrucciones sobre Pruebas dieléctricas se encuentran con el documento [1SDH002267A1001](#).  
**警告!** 介电测试脱扣器有可用的说明文件 [1SDH002267A1001](#).

