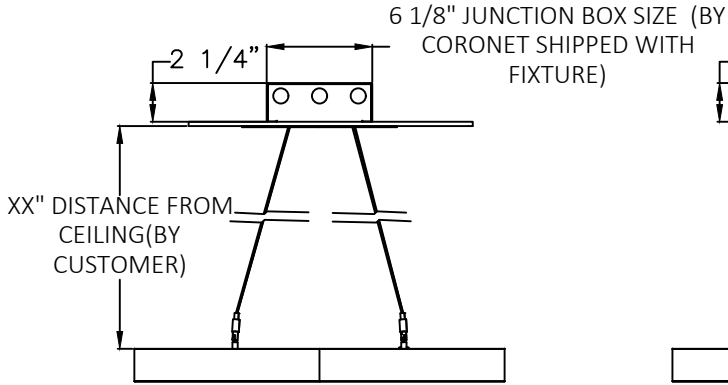


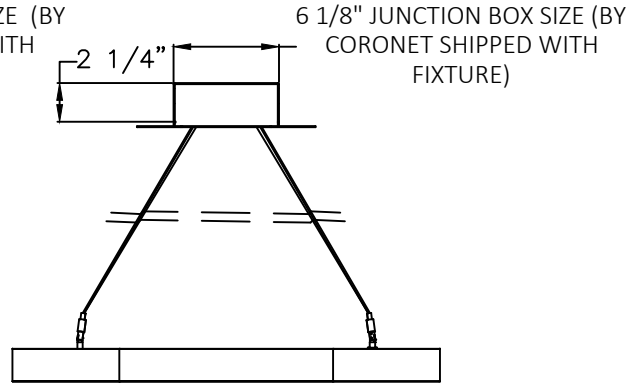


Risk of fire and electrical shock. In accordance with national local building and electrical codes, CORONET lighting fixtures must be installed by a qualified electrician. Disconnect power at electrical panel before servicing.

SIDE VIEW

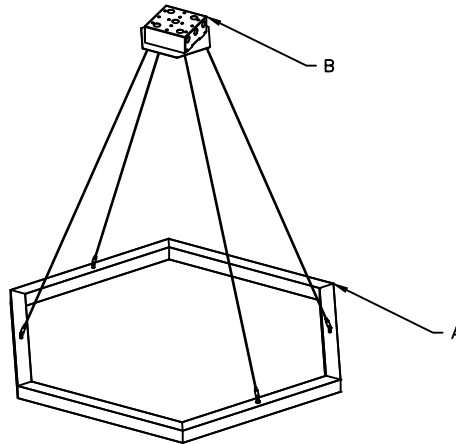


FRONT VIEW

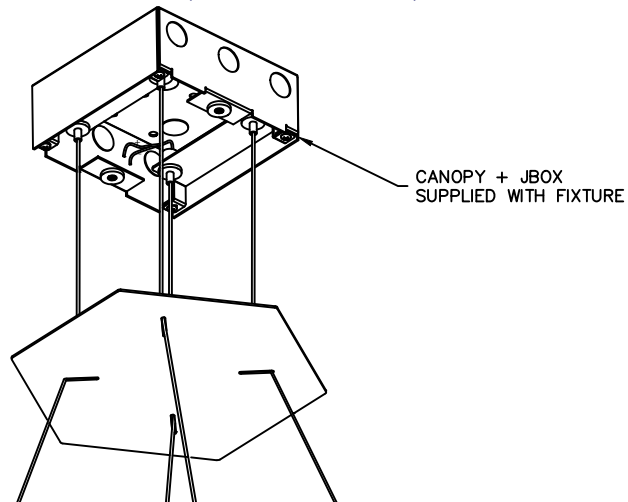


**PART LIST**  
 A-HEX  
 B-CUSTOM CANOPY

ISO VIEW



CUZTOM CANOPY DETAIL(CENTER OF FIXTURE)

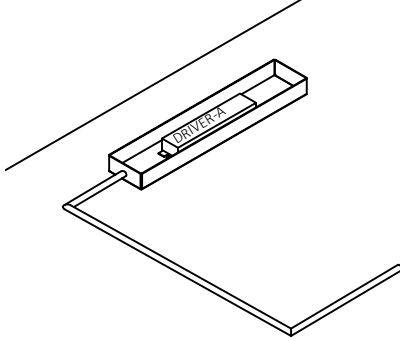


\*NOTE: JUNCTION BOXES MUST BE SOLIDLY FIXED TO THE CEILING AND ATTACHED TO THE STRUCTURAL MEMBER INSIDE THE CEILING BEFORE PROCEEDING WITH INSTALLATION.



Risk of fire and electrical shock. In accordance with national local building and electrical codes, CORONET lighting fixtures must be installed by a qualified electrician. Disconnect power at electrical panel before servicing.

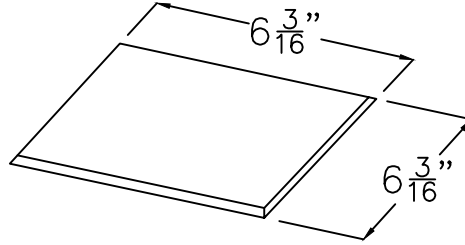
## 1 WIRING TO REMOTE BOX



Install driver box on ceiling and run conduit (do not remote >30ft apart).

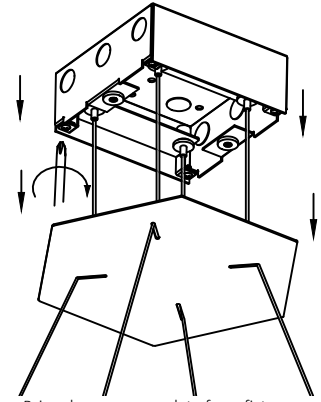
Note: Use whips or plenum rated wires from junction box to remote box.

## 2 Ceiling cutout for Junction Box



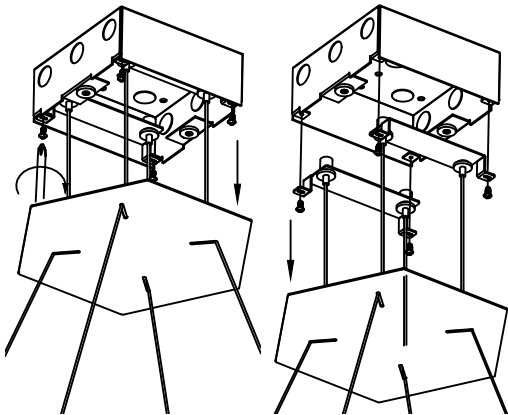
Create a ceiling cutout for Coronet's 6x6" junction box.

## 3



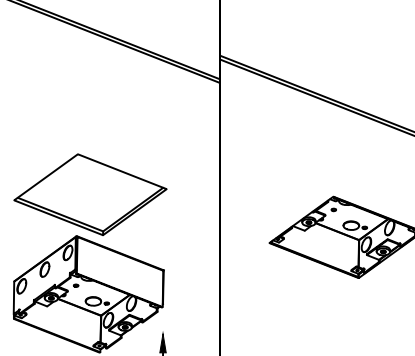
Bring down canopy plate from fixture.

## 4



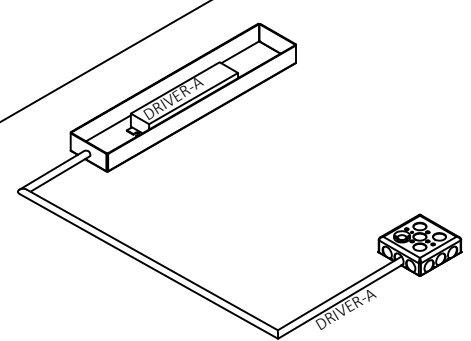
Unfasten Custom J-bars from Coronet's junction box and fully detached Coronet's junction box

## 5



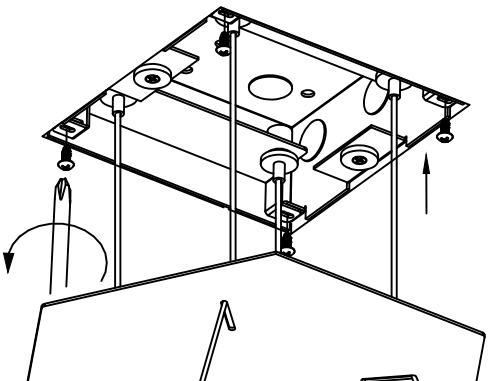
Install junction box into ceiling.

## 6



Insert remote drivers whip into Coronet's junction box.

## 7

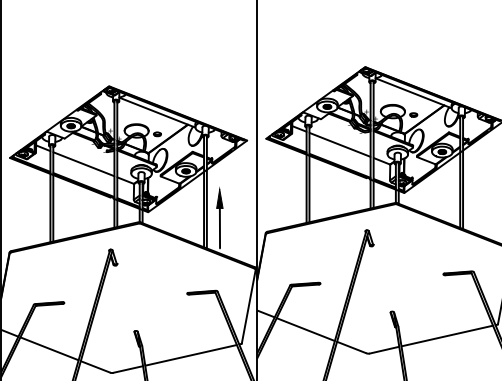


Bring up and secure J-bars into junction box.

Note: two or more people must be holding the fixture while working.

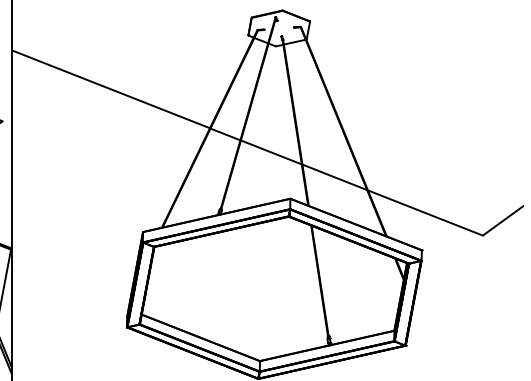
NOTE: JUNCTION BOXES MUST BE SOLIDLY FIXED TO THE CEILING AND ATTACHED TO THE STRUCTURAL MEMBER INSIDE THE CEILING BEFORE PROCEEDING WITH INSTALLATION.

## 8 Wiring



Using either wago connector or wire nut, connect fixture "+" lead wire to Conduit "+". Do the same for "-" lead wire.

## 9



At last, bring up Custom Canopy plate and turn on fixture.



Risk of fire and electrical shock. In accordance with national local building and electrical codes, CORONET lighting fixtures must be installed by a qualified electrician. Disconnect power at electrical panel before servicing.

**GENERAL INSTALLATION CONSIDERATIONS** - See submittal drawings for job specific data.

Operating Temperature.....-20°C to 40°C  
Operating Voltage.....110VAC-277VAC, 50Hz-60Hz  
Weight.....lb  
Dimensions.....See submittal drawings

- Installation by a certified electrician only.
- Read and understand the installation instructions before attempting to install or use the fixture.
- Only use fixtures with voltage for which it is rated. Do not exceed the specified voltage and current input.
- Do not use the fixture if the housing, lens, or power cable is damaged.
- Ensure that the main power supply is off before installing or wiring the fixture.
- Method of wire connection to be determined by local electrical codes and regulations.
- The external flexible cable of this luminaire cannot be field replaced; if the cord is damaged, contact Coronet.
- The light source contained in this luminaire shall only be replaced by the lighting manufacturer or his service agent or a similar qualified person.

Please contact our technical support team for assistance.

NOTE: JUNCTION BOXES MUST BE SOLIDLY FIXED TO THE CEILING AND ATTACHED TO THE STRUCTURAL MEMBER INSIDE THE CEILING BEFORE PROCEEDING WITH INSTALLATION.