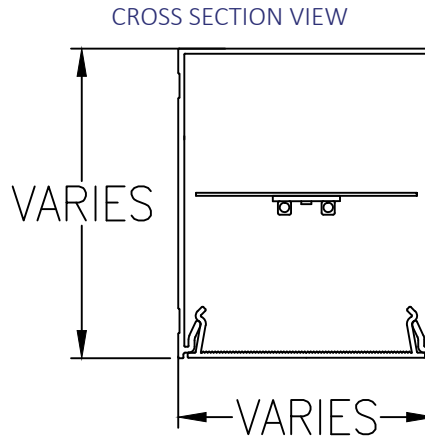


INSTALLATION GUIDE-WALL MOUNT



Risk of fire and electrical shock. In accordance with national local building and electrical codes, CORONET lighting fixtures must be installed by a qualified electrician. Disconnect power at electrical panel before servicing.

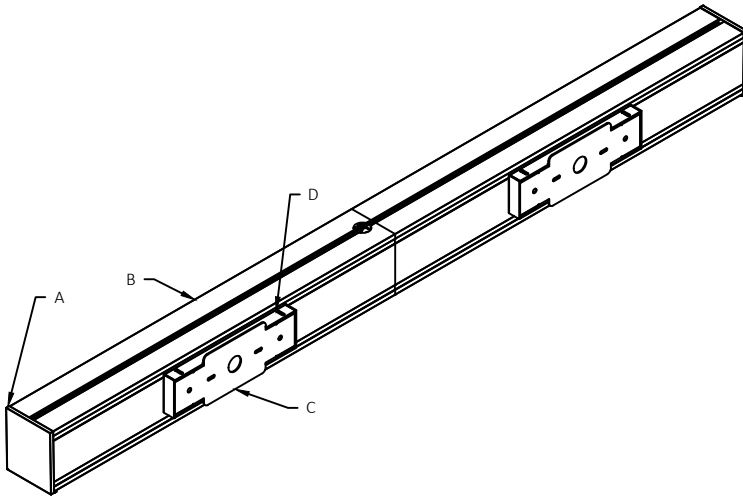
REMOTE DRIVER DISTANCES				
WIRE GAUGE	12	14	16	18
MAX. DISTANCE	100 ft	80 ft	50 ft	35 ft



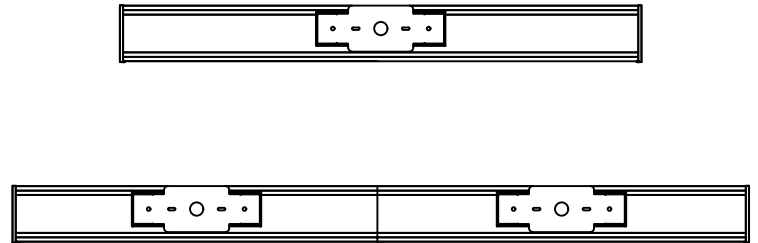
PART LIST

- A-End Plate
- B-Extrusion
- C-Wall Mount Bracket for Wall
- D-Wall Mount Bracket for Fixture

ISOMETRIC VIEW

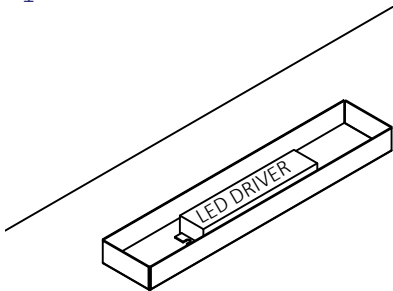


SIDE VIEW



PLEASE CONSULT FACTORY SHOP DRAWINGS FOR MOUNTING POINTS.

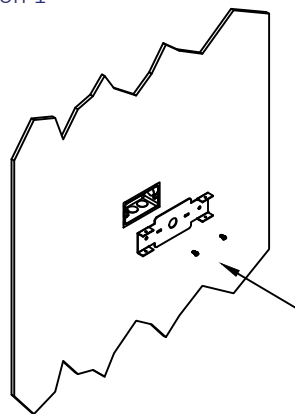
1



If you have a remote driver, install it behind the wall and run conduit to the fixture. Refer to the remote driver box above for acceptable lengths of cable.

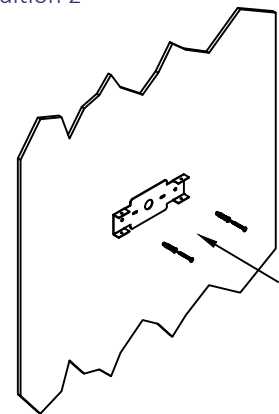
Note: Use whip or plenum cable (both by others) from the junction box to the remote box. If you have an integral driver, skip to step 2.

2 Condition 1



For a junction box that isn't offset from the wall, secure the wall bracket to the switch box with screws (hardware by others).

3 Condition 2



If the junction box is offset from the wall, secure the wall bracket to the wall with support anchors (hardware by others).

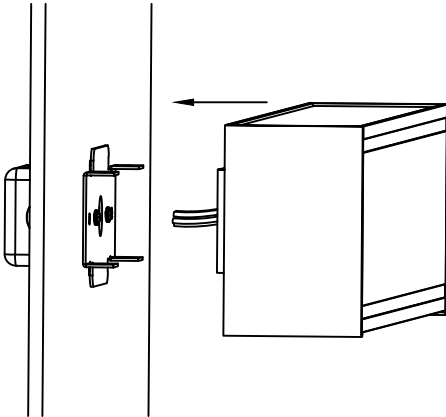
INDIVIDUAL FIXTURES ARE NOT INTENDED FOR CONTINUOUS RUNS.
ADDITIONAL SUPPORTS TO THE STRUCTURE MAY BE REQUIRED.
*CHECK WITH YOUR LOCAL BUILDING CODE FOR THOSE REQUIREMENTS

INSTALLATION GUIDE-WALL MOUNT



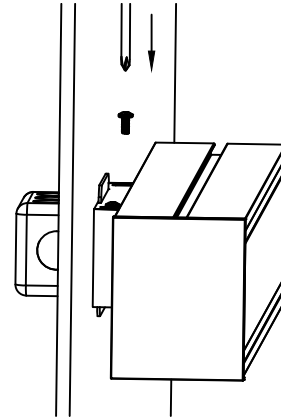
Risk of fire and electrical shock. In accordance with national local building and electrical codes, CORONET lighting fixtures must be installed by a qualified electrician. Disconnect power at electrical panel before servicing.

4



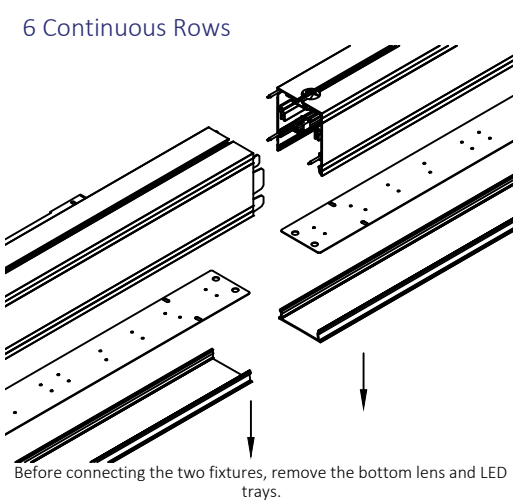
Before connecting the fixture to the wall, run the wires from the fixture to and through the junction box and make all necessary electrical connections.

5



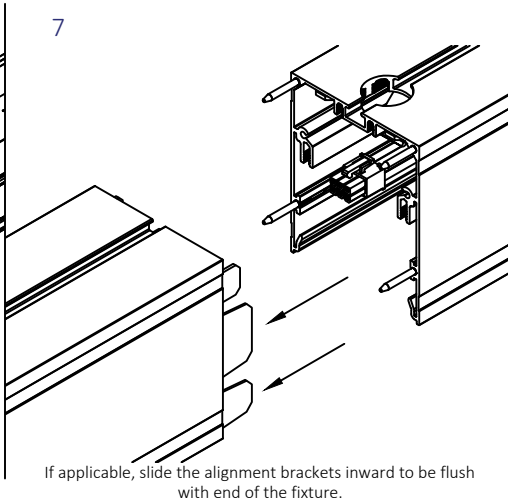
Secure the two wall brackets together with the provided 8-32 screws.

6 Continuous Rows



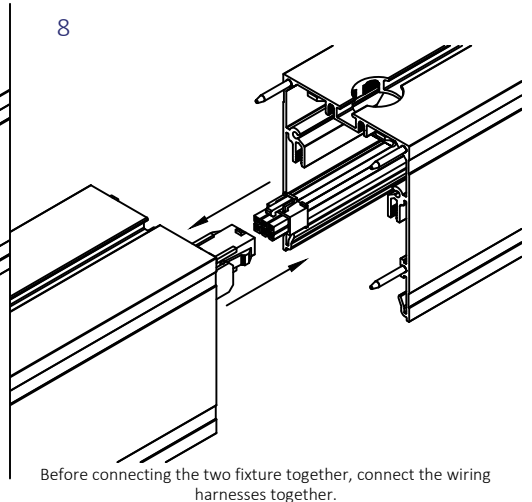
Before connecting the two fixtures, remove the bottom lens and LED trays.

7



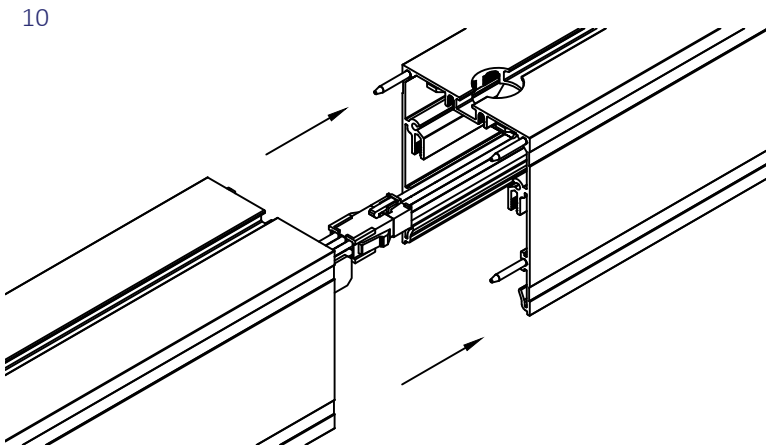
If applicable, slide the alignment brackets inward to be flush with end of the fixture.

8



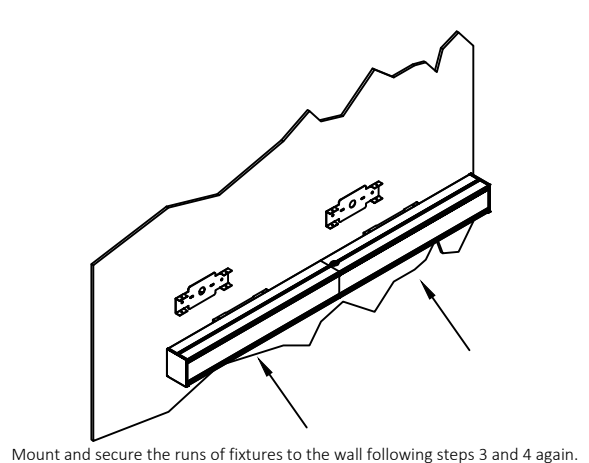
Before connecting the two fixture together, connect the wiring harnesses together.

10



Using the alignment pins, connect the two fixtures together.

11



Mount and secure the runs of fixtures to the wall following steps 3 and 4 again.

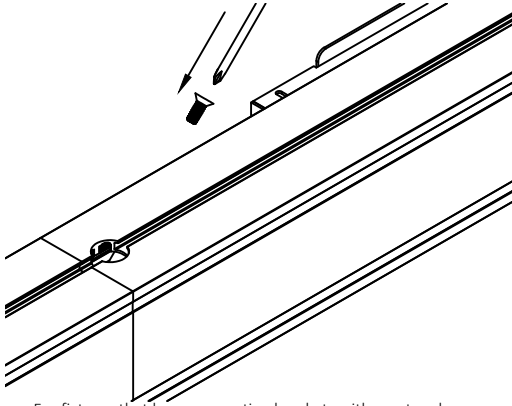
INDIVIDUAL FIXTURES ARE NOT INTENDED FOR CONTINUOUS RUNS.
ADDITIONAL SUPPORTS TO THE STRUCTURE MAY BE REQUIRED.
*CHECK WITH YOUR LOCAL BUILDING CODE FOR THOSE REQUIREMENTS

INSTALLATION GUIDE-WALL MOUNT



Risk of fire and electrical shock. In accordance with national local building and electrical codes, CORONET lighting fixtures must be installed by a qualified electrician. Disconnect power at electrical panel before servicing.

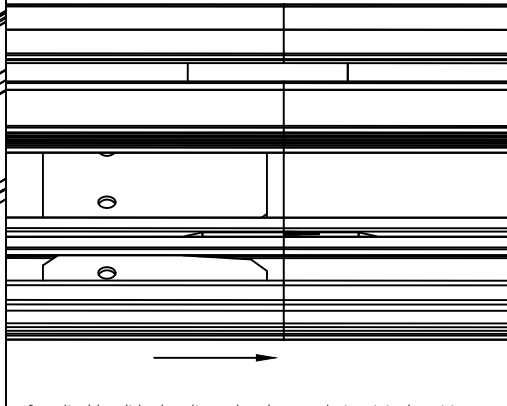
12A (Option #1)



For fixtures that have connecting brackets with a nut and screw, use the provided 1/4-20 screw to secure the connecting brackets. If you have an UP/DN fixture, the top lens will need to be removed to perform this step.

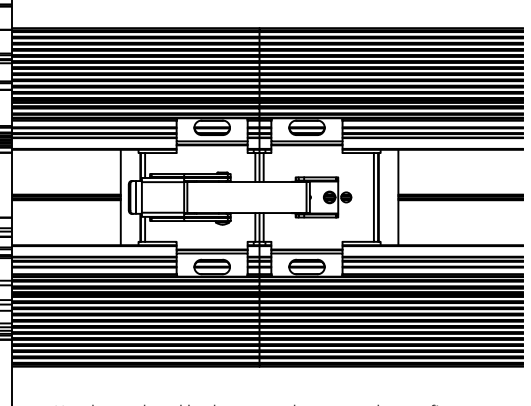
Skip to step 13 (Option #2) for the other connection method.

12B (Option #1)



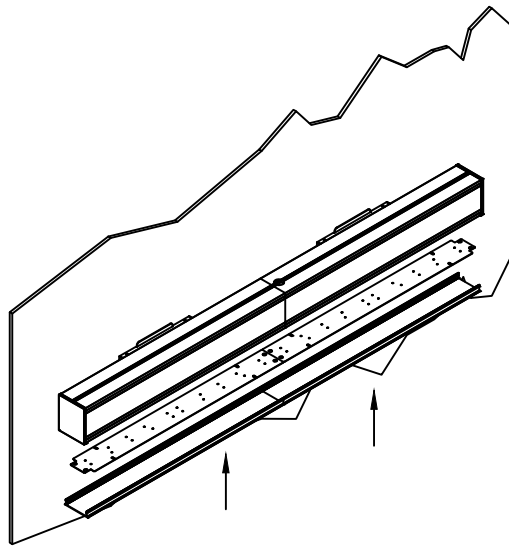
If applicable, slide the aligner brackets to their original positions to prevent light leaks. Use the provided 8-32 set screws to lock them in place.

13 (Option #2)



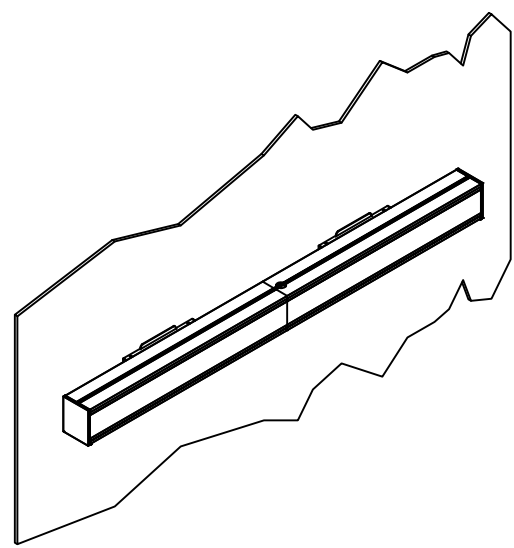
Use the catch and latch to securely connect the two fixtures together.

14



Reinstall the bottom lens and the bottom LED trays.

15



Review everything about the fixture making sure it's securely connected and no light leaks are present.

GENERAL INSTALLATION CONSIDERATIONS - See submittal drawings for job specific data.

Operating Temperature.....-40°C to 50°C
 Operating Voltage.....110VAC-277VAC, 50Hz-60Hz
 Weight.....Dependant on the LS fixture, 1-4 lbs/ft
 Dimensions.....See submittal drawings

- Installation by a certified electrician only. If you don't understand the instructions, don't install the fixture and please contact us for assistance.
- Read and understand the installation instructions before attempting to install or use the fixture.
- Only use fixtures with voltage for which it is rated. Do not exceed the specified voltage and current input.
- Do not use the fixture if the housing, lens, or power cable is damaged.
- Ensure that the main power supply is off before installing or wiring the fixture.
- Method of wire connection to be determined by local electrical codes and regulations.
- The external flexible cable of this luminaire cannot be field replaced; if the cord is damaged, contact Coronet.
- The light source contained in this luminaire shall only be replaced by the lighting manufacturer or his service agent or a similar qualified person.

Please contact our technical support team for assistance.

NOTE: JUNCTION BOXES MUST BE SOLIDLY FIXED TO THE CEILING AND ATTACHED TO THE STRUCTURAL MEMBER INSIDE THE CEILING BEFORE PROCEEDING WITH INSTALLATION.