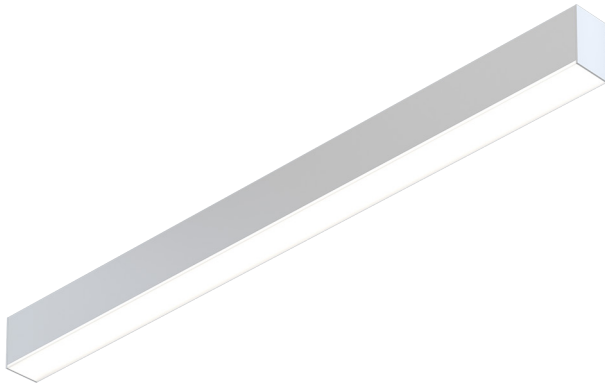


LS2 indirect/direct

>90 CRI
up to
133
lumens /watt

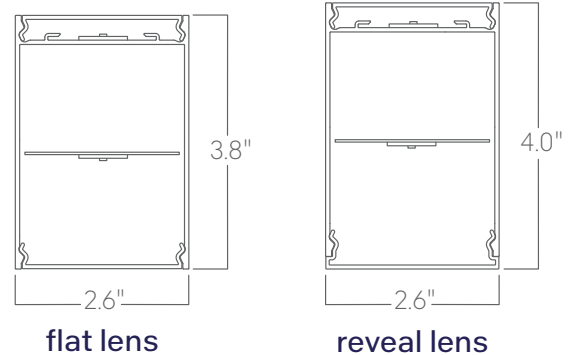


The LS Series of architectural luminaires offers a wide range of profiles and mounting options. Custom lengths and patterns are tailored to suit any modern space.

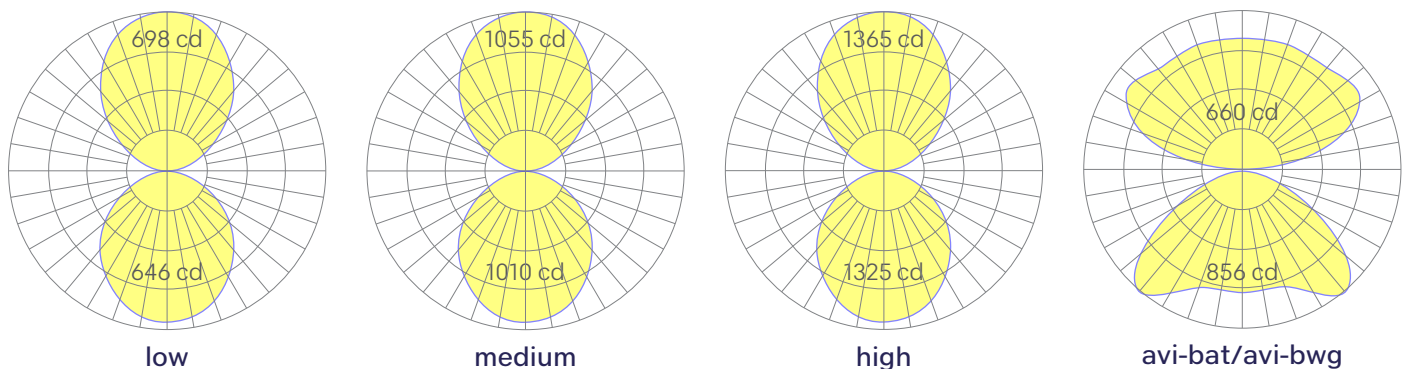
Features

- DLC qualified fixture configurations, [learn more](#)
- Living Building Challenge Declare listed. Red List Free optional.
- Extruded recycled aluminum housing
- Aluminum core LED boards, specifiable optics
- Specifiable color temperature. CRI > 90, R9 > 70
- Custom lengths, welded patterns, and finishes available
- Integral specifiable dimmable drivers or PoE
- 5 Year, 50,000 hour warranty, damp location rated
- WELL Building Standard compatible [learn more](#)

Dimensions



Optics



Representative distribution and peak candela. For other options see order information or IES files [here](#).

LS2 indirect/direct

Ordering Information

For each option group below specify one option. If you don't see your preferred option listed, contact us for [help](#).

1 Fixture ID	2 Length	3 Color Temperature	4 Output Indirect	5 Output Direct	6 Voltage	7 Driver	8 Finish	9 Mounting	10 Optics Indirect	11 Optics Direct	12 Sensors/Controls	13 Circuit	14 Options
LS2.UPDN	2 2 ft 4 4 ft 8 8 ft XX Specify length PAT Pattern Submit drawing.	27 2700K/90 CRI 30 3000K/90 CRI 35 3500K/90 CRI 40 4000K/90 CRI 50 5000K/90 CRI TW Tunable White 2700K-6500K Must use TW10 driver. RGBW30 RGB +white; 3000k Must use remote DMX driver. RGBW35 RGB +white; 3500k Must use remote DMX driver. RGBW40 RGB +white; 4000k Must use remote DMX driver. WD Warm Dim 2200K-3000K Must use WD10 driver.	LOW Low output MED Medium output HIGH High output CUST Custom output Specify watts or lumens: Up to 13W/ft max. Down to 6W/driver min.	LOW Low output MED Medium output HIGH High output CUST Custom output Specify watts or lumens: Up to 13W/ft max. Down to 6W/driver min.	UNV Universal (120/277V) 347V 347V	DB Standard 0-10V 1% DB.1% 0-10V 0.1% ELV Reverse phase 1% (120V only) TRI Forward phase LDE1 Lutron Digital EcoSystem JA8 JA8 compliant 1% dimming DALI DALI-2 driver PoE Power over ethernet TW10 2 channel 0-10V for tunable white WD10 0-10V warm dimming DMX DMX512 All DMX drivers set to default address 001 and provided in remote enclosers. Contact us for other addressing needs.	W White BLK Black CC Custom color See finish options here CWF Custom wood finish See finish options here SLV Silver	AC AC cable (50 in.) ACTB9 AC cable + 9/16th Tbar clip ACTB15 AC cable + 15/16th Tbar clip ACTBSG AC cable + Slot Grid Tbar clip AC3.5 3.5 in. canopy + Jbox adaptor Adaptor must be mudded-in. ACCC AC cable To conduit pipe canopy. PS.X Pendant stem with standard 5-inch canopy. 12, 18, 24, 36, or 48 in. Consult factory for lengths not shown. WM Wall mount PSFC Field cuttable pendant stem 94 in. stem field cuttable to any length.	AVI.ASY Asymmetric optic AVI.BAT 120-degree batwing; Not compatible with RGBW FL Flat diffuser	AVI.ASY Asymmetric optic AVI.BWG Batwing optic RV 0.2 inch reveal lens FL Flat diffuser	NA None WISM_% Wattstopper occupancy WISD Wattstopper daylight ACM Acuity nLight- module only ACS Acuity nLight- (nES 7) ACAS Acuity nLight- AIR (rES 7) CCS Casambi module AWN.R Lutron Athena wireless node AWN.S Lutron Athena wireless node with sensor OTHER Consult factory ACAM Acuity nLight Air (rIO)	NA None DC Dual 0-10v control; dual power feed EMPCK Emergency battery pack EMCKT Emergency circuit May require additional power feeds. DAYCKT Daylight circuit May require additional power feeds. DCSF Dual 0-10v control; single power feed	NA None STD White canopy/cord/stem CAN.X Canopy + color See finish options here SJ.BLK Black cord SJ.WHT White cord RLF Red List Free MPD Mounting + power drawings Mounting and power feed locations will be added to approval drawings. See additional information here .

Performance

Output ¹	Indirect			Direct		
	Watts/ft	Lumens/ft	LPW	Watts/ft	Lumens/ft	LPW
Low	3.5	466	133	3.5	422	121
Medium	5.5	705	128	5.5	669	121
High	7.5	915	122	7.5	875	117

¹Based on a typically configured 90 CRI, 3500K luminaire using one driver. Custom outputs available. Please consult factory. For 4000K multiply by 1.05; for 3000K, 0.9; for 2700K, 0.92. For Warm Dim multiply by 80.



Wiring diagrams, PoE and sensor details
Click or Scan

LS2 indirect/direct

Drivers & Electrical

Integral drivers* with 0-10V Dimming standard. Several other driver options available; see ordering information.

*DMX drivers are provided in remote enclosures.

Sensors & Controls

Sensors are installed on an aluminum plate adjacent to the luminaire lens¹. Coronet remains agnostic in our approach to sensors and control systems; our fixtures are compatible with most systems offered.

¹Not applicable to indirect only models. Consult factory.

Emergency Back-Up

For fixtures three-feet or longer, a 6W emergency driver may be wired to 4ft sections. A 10W driver is also available (consult factory). Emergency circuits for use with building generators are also available.

PoE (Power over Ethernet)

Compatible with virtually all PoE systems including Molex Coresync, Smartengine, Platformatics, and NuLED SPICEbox.

Consult factory for systems not listed. See [here](#) for more info.

Finishes

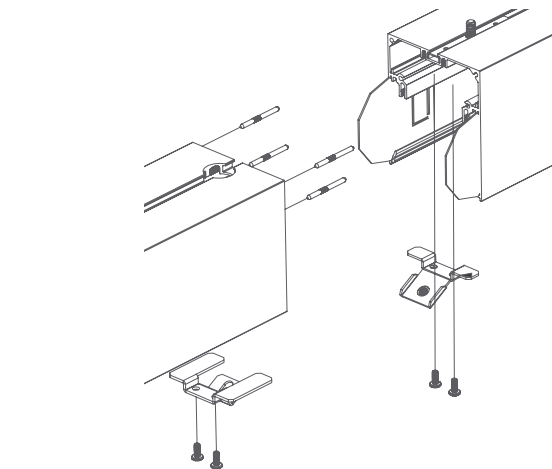
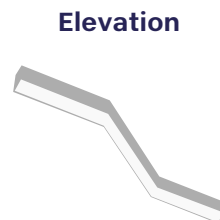
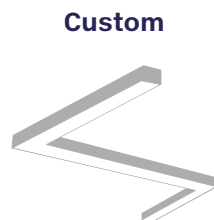
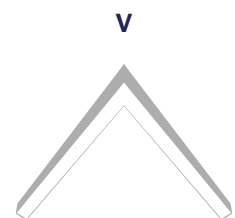
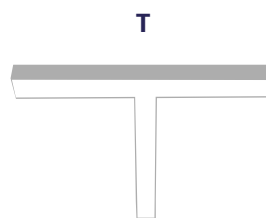
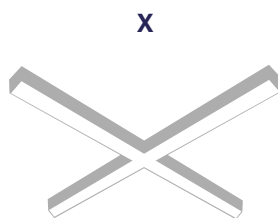
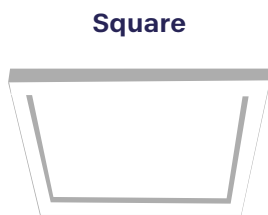
All luminaires are finished in high quality polyester powder coating. Our standard color is white. Any RAL color may be specified.

Weight

3 lbs per foot

Patterns

Featuring illuminated welded corners and angles. Consult factory for custom designs and elevations.



Representative joinery. For product specific details see installation guides or submittal drawings.

Optics

Extruded satin acrylic lenses provide excellent diffusion, high transmission, and no LED imaging.

Construction

Housings are extruded premium, recycled aluminum. Individual fixtures are available up to 12' long and may be specified as nominal or precision lengths. Precision lengths are supplied within 1/8" tolerance.

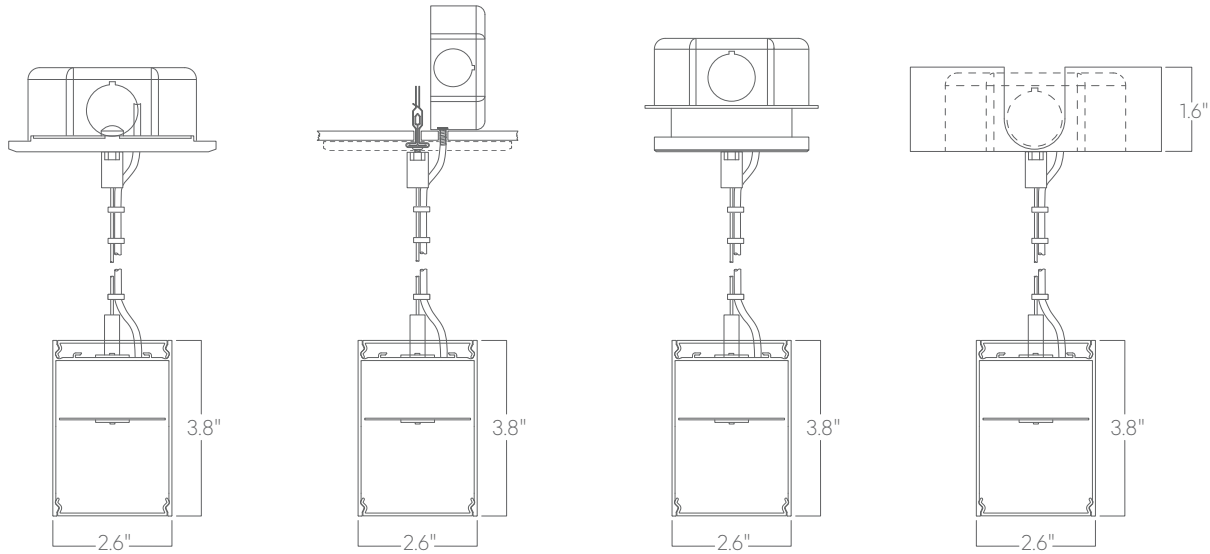
Joined Runs

Runs of any length may be specified and are comprised of multiple, factory-engineered, joined sections. Individually specified luminaires are not field joinable.

LS2 indirect/direct

Mounting Options

Custom mounting types and ceiling transitions available; consult factory.
Mounting and power feed locations will be added to approval drawings on request.

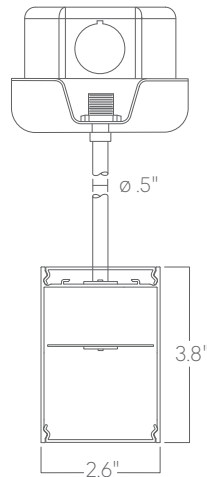


**Aircraft cable
5" canopy**

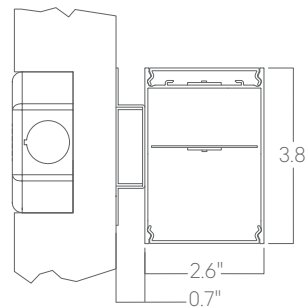
**Aircraft cable
5" canopy, T Bar clip**

**Aircraft cable
3.5" canopy**

**Aircraft cable
Conduit canopy
with knockouts**



Pendant stem



Wall mount

Please consult factory shop drawings for suspension points.

To prevent damage to fixtures, factory designated suspension points must not be field altered.
Do not attempt installation if you do not understand the installation instructions.