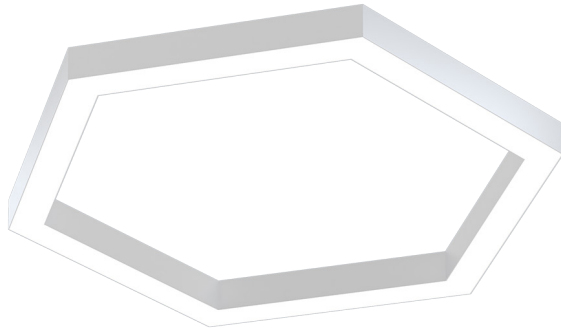


# HEX 2ft direct

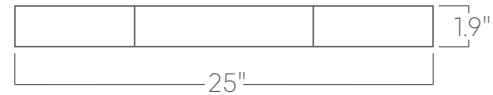


Our Performance Decorative luminaires offer a variety of decorative forms and sizes, suitable for any modern space.

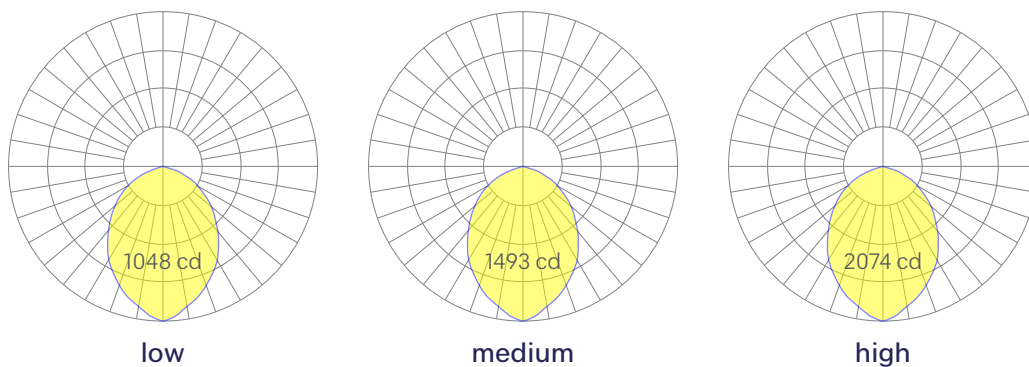
## Features

- Power Over Wire system eliminates power cord
- Welded extruded aluminum
- Specifiable color temperature. CRI > 90, R9 > 50
- Custom colors and wood finishes available
- Specifiable dimmable drivers or PoE
- 5 Year, 50,000 hour warranty, damp location rated
- WELL Building Standard compatible [learn more](#)

## Dimensions



## Optics



Representative distribution and peak candela. For other options see order information or IES files [here](#).

# HEX 2ft direct

## Ordering Information

For each option group below specify one option. If you don't see your preferred option listed, contact us for [help](#).

1	Fixture ID	2	Length	3	Color Temperature	4	Output
	HEX.2	2	2 ft	27	2700K/90 CRI	LOW	Low output
				30	3000K/90 CRI	MED	Medium output
				35	3500K/90 CRI	HIGH	High output
				40	4000K/90 CRI	CUST	Custom output Specify watts or lumens
				50	5000K/90 CRI		
				WD	Warm Dim 2200K-3000K Must use WD10 driver.		
				TW	Tunable White 2700K-6500K Must use TW10 driver		
5	Voltage	6	Driver	7	Finish	8	Mounting
UNV	Universal (120/277V)	DB	Standard 0-10V 1%	W	White	AC.CENT	Central canopy 50 in. steel cable provided; White canopies & power cord
347V	347V	DB.1%	0-10V 0.1%	BLK	Black	AC.MULT	Individual suspension points 50 in. steel cable provided; White canopies & power cord
		ELV	Reverse phase 1% (120V only)	CC	Custom color <a href="#">See finish options here</a>	SMHC	Surface mount hard ceiling
		TRI	Forward phase	SLV	Silver		
		LDE1	Lutron Digital EcoSystem				
		DALI	DALI-2 driver				
		PoE	Power over ethernet				
		TW10	2 channel 0-10V for tunable white.				
		WD10	0-10V warm dimming				
		DMX	DMX512 All DMX drivers set to default address 001 and provided in remote enclosers. Contact us for other addressing needs				
9	Optics	10	Sensors/Controls	11	Circuit	12	Options
SD	Standard diffuser	NA	None	NA	None	NA	None
		ACM	Acuity nLight- module only	EMPCK	Emergency battery pack	STD	White Canopy + white cord
		CCS	Casambi module	EMCKT	Emergency circuit May require additional power feeds	CAN.X	Canopy + color <a href="#">See finish options here</a>
		AWNR	Lutron Athena Wireless Node module	DAYCKT	Daylight circuit May require additional power feeds.		
		OTHER	Consult factory				
		ACAM	Acuity nLight Air (r10)				

## Performance

Output <sup>1</sup>	Watts	Lumens	LPW
Low	33	2201	67
Medium	42	3138	75
High	65	4358	69

<sup>1</sup>Based on a typically configured 90 CRI, 3500K luminaire using one driver.  
Custom outputs available. Please consult factory.  
For 4000K multiply by 1.05; for 3000K, 0.9; for 2700K, 0.92.  
For Warm Dim multiply by .80.

## Technical Information



click [here](#) or scan QR code

Wiring diagrams, PoE and sensor details

# HEX 2ft direct

## Drivers & Electrical

Our Power Over Wire system delivers power to the luminaire via suspension cables, eliminating a separate power feed. Drivers are housed in the luminaire canopy or in factory supplied remote enclosures<sup>1</sup>. All drivers are dimmable.

<sup>1</sup>See order information for more details. For remote driver box sizes, click [here](#).

## Emergency Back-Up

Emergency, battery-powered drivers are available. Emergency circuits for use with building generators are also available.

## PoE (Power over Ethernet)

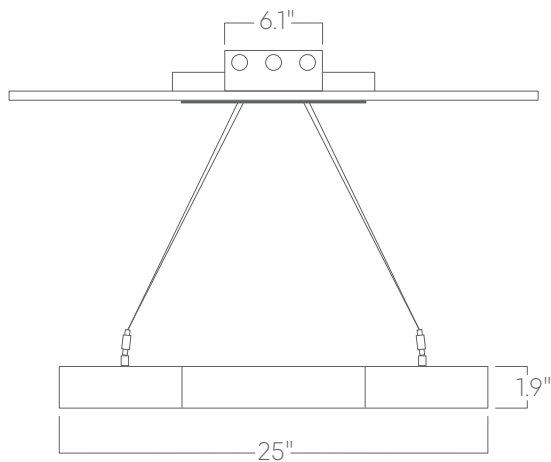
Compatible with virtually all PoE systems including Moxel Coresync, Smartengine, Platformatics, and NuLED SPICEbox.

Consult factory for systems not listed. See [here](#) for more info.

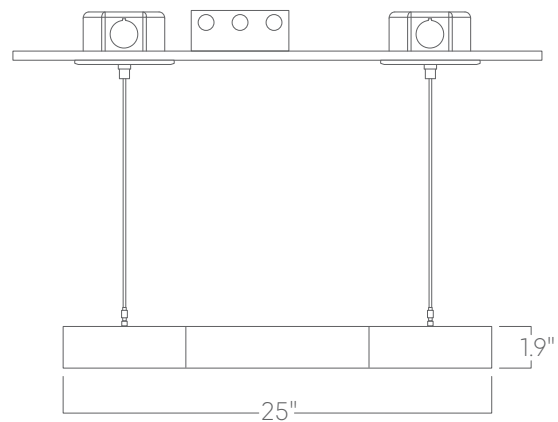
## Weight

7 lbs

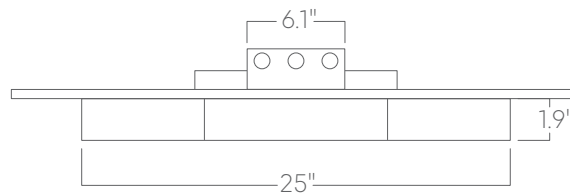
## Mounting Options



**Power over aircraft cable  
(Single canopy at the center)**



**Power over aircraft cable  
(Individual susp. points)**



**Surface mount**

## Optics

Extruded satin acrylic lenses provide excellent diffusion, high transmission, and no LED imaging.

## Construction

Welded, extruded recycled aluminum.

## Finishes

All luminaires are finished in high quality polyester powder coating. Our standard color is white. Any RAL color may be specified.