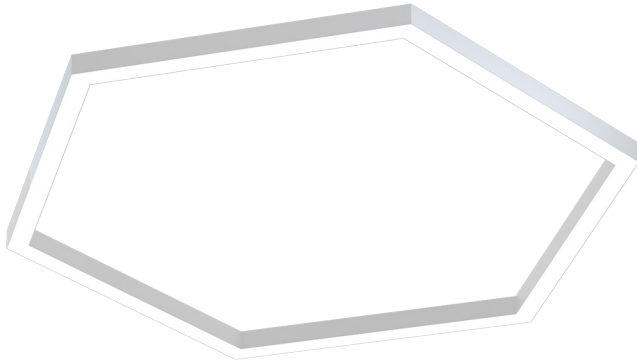


HEX 4ft direct



Our Performance Decorative luminaires offer a variety of decorative forms and sizes, suitable for any modern space.

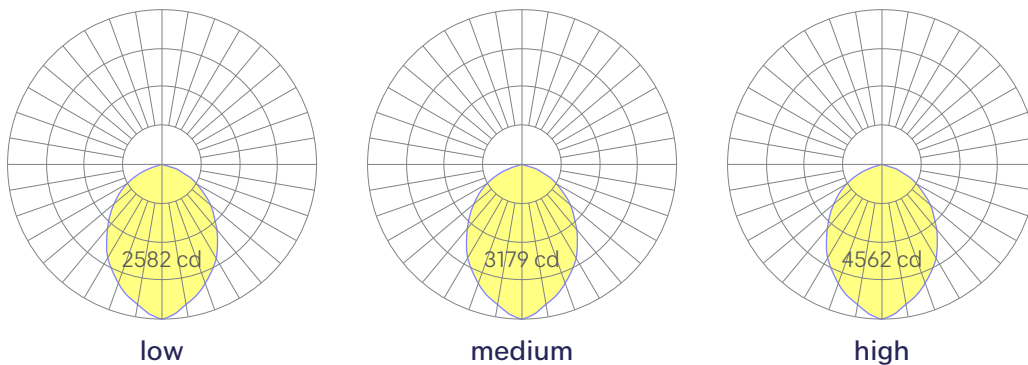
Features

- Power Over Wire system eliminates power cord
- Welded extruded aluminum
- Specifiable color temperature. CRI > 90, R9 > 50
- Custom colors and wood finishes available
- Specifiable dimmable drivers or PoE
- 5 Year, 50,000 hour warranty, damp location rated
- WELL Building Standard compatible [learn more](#)

Dimensions



Optics



Representative distribution and peak candela. For other options see order information or IES files [here](#).

HEX 4ft direct

Ordering Information

For each option group below specify one option. If you don't see your preferred option listed, contact us for [help](#).

1	Fixture ID	2	Length	3	Color Temperature	4	Output
	HEX.4	4	4 ft	27	2700K/90 CRI	LOW	Low output
				30	3000K/90 CRI	MED	Medium output
				35	3500K/90 CRI	HIGH	High output
				40	4000K/90 CRI	CUST	Custom output Specify watts or lumens
				50	5000K/90 CRI		
				WD	Warm Dim 2200K-3000K Must use WD10 driver.		
				TW	Tunable White 2700K-6500K Must use TW10 driver		
5	Voltage	6	Driver	7	Finish	8	Mounting
UNV	Universal (120/277V)	DB	Standard 0-10V 1%	W	White	AC.CENT	Central canopy 50 in. steel cable provided; White canopies & power cord
347V	347V	DB.1%	0-10V 0.1%	BLK	Black	AC.MULT	Individual suspension points 50 in. steel cable provided; White canopies & power cord
		ELV	Reverse phase 1% (120V only)	CC	Custom color See finish options here	SMHC	Surface mount hard ceiling
		TRI	Forward phase	SLV	Silver		
		LDE1	Lutron Digital EcoSystem				
		DALI	DALI-2 driver				
		PoE	Power over ethernet				
		TW10	2 channel 0-10V for tunable white.				
		WD10	0-10V warm dimming				
		DMX	DMX512 All DMX drivers set to default address 001 and provided in remote enclosers. Contact us for other addressing needs				
9	Optics	10	Sensors/Controls	11	Circuit	12	Options
SD	Standard diffuser	NA	None	NA	None	NA	None
		ACM	Acuity nLight- module only	EMPCK	Emergency battery pack	STD	White Canopy + white cord
		CCS	Casambi module	EMCKT	Emergency circuit May require additional power feeds	CAN.X	Canopy + color See finish options here
		AWNR	Lutron Athena Wireless Node module	DAYCKT	Daylight circuit May require additional power feeds.		
		OTHER	Consult factory				
		ACAM	Acuity nLight Air (r10)				

Performance

Output ¹	Watts	Lumens	LPW
Low	68	5424	78
Medium	86	6679	75
High	130	9583	70

¹Based on a typically configured 90 CRI, 3500K luminaire using one driver.
Custom outputs available. Please consult factory.
For 4000K multiply by 1.05; for 3000K, 0.9; for 2700K, 0.92.
For Warm Dim multiply by .80.

Technical Information



click [here](#) or scan QR code

Wiring diagrams, PoE and sensor details

HEX 4ft direct

Drivers & Electrical

Our Power Over Wire system delivers power to the luminaire via suspension cables, eliminating a separate power feed. Drivers are housed in the luminaire canopy or in factory supplied remote enclosures¹. All drivers are dimmable.

¹See order information for more details. For remote driver box sizes, click [here](#).

Emergency Back-Up

Emergency, battery-powered drivers are available. Emergency circuits for use with building generators are also available.

PoE (Power over Ethernet)

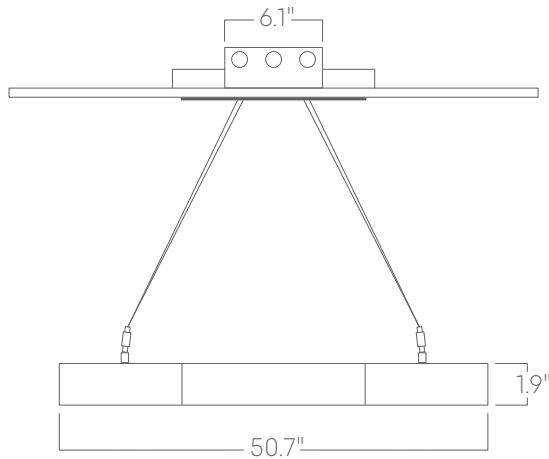
Compatible with virtually all PoE systems including Moxel Coresync, Smartengine, Platformatics, and NuLED SPICEbox.

Consult factory for systems not listed. See [here](#) for more info.

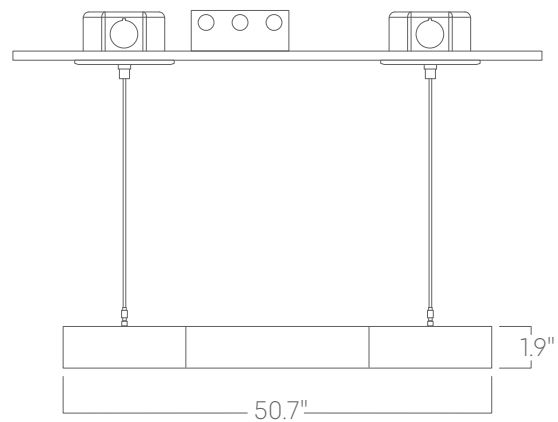
Weight

17 lbs

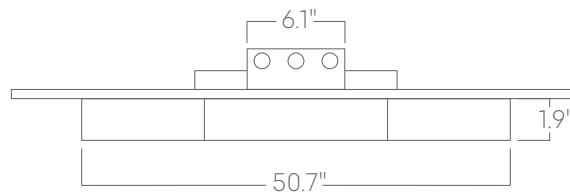
Mounting Options



**Power over aircraft cable
(Single canopy at the center)**



**Power over aircraft cable
(Individual susp. points)**



Surface mount

Optics

Extruded satin acrylic lenses provide excellent diffusion, high transmission, and no LED imaging.

Construction

Welded, extruded recycled aluminum.

Finishes

All luminaires are finished in high quality polyester powder coating. Our standard color is white. Any RAL color may be specified.