

LSR2 recessed

>90 CRI
up to
121
lumens / watt

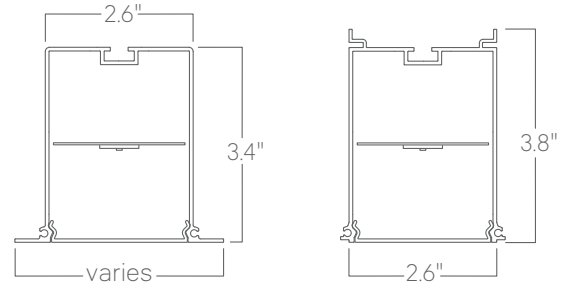


The LS Series of architectural luminaires offers a wide range of profiles and mounting options. Custom lengths and patterns are tailored to suit any modern space.

Features

- Living Building Challenge Declare listed. Red List Free optional.
- Extruded recycled aluminum housing
- Aluminum core LED boards, specifiable optics
- Specifiable color temperature. CRI > 90, R9 > 70
- Custom lengths, welded patterns, and finishes available
- Integral specifiable dimmable drivers or PoE
- 5 Year, 50,000 hour warranty, damp location rated
- Compatible with all wood ceilings
- WELL Building Standard compatible [learn more](#)

Dimensions



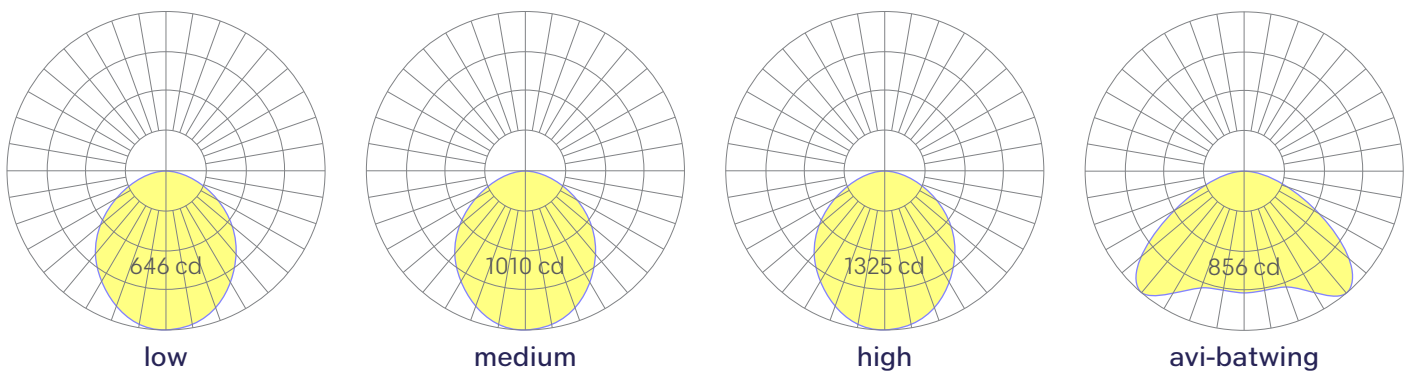
flange/mud-in flange¹

grid/slot grid/millwork¹

¹Shown with Flat Lens; Reveal Lens available.

²Flat End Cap is standard, Overhang End Cap available, see page 5.

Optics



Representative distribution and peak candela. For other options see order information or IES files [here](#).

LSR2 recessed

Ordering Information

For each option group below specify one option. If you don't see your preferred option listed, contact us for [help](#).

1	Fixture ID	2	Length	3	Color Temperature	4	Output
	LSR2	2	2 ft	27	2700K/90 CRI	LOW	Low output
		4	4 ft	30	3000K/90 CRI	MED	Medium output
		8	8 ft	35	3500K/90 CRI	HIGH	High output
		XX	Specify length	40	4000K/90 CRI	CUST	Custom output
		PAT	Pattern Submit drawing.	50	5000K/90 CRI		Specify watts or lumens: Up to 13W/ft max. Down to 6W/driver min.
				TW	Tunable White 2700K-6500K Must use TW10 driver.		
				RGBW30	RGB +white; 3000k Must use remote DMX driver.		
				RGBW35	RGB +white; 3500k Must use remote DMX driver.		
				RGBW40	RGB +white; 4000k Must use remote DMX driver.		
				WD	Warm Dim 2200K-3000K Must use WD10 driver.		
5	Voltage	6	Driver	7	Finish	8	Mounting
	UNV Universal (120/277V)	DB	Standard 0-10V 1%	W	White	T	9/16th. Tee Grid
	347V 347V	DB.1%	0-10V 0.1%	BLK	Black	T15	15/16 in. Tee Grid
		ELV	Reverse phase 1% (120V only)	CC	Custom color See finish options here	SG	Slot Grid/Interlude
		TRI	Forward phase	CWF	Custom wood finish See finish options here	F	Flange
		LDE1	Lutron Digital EcoSystem	SLV	Silver	NT	Mud-in Flange
		JA8	JA8 compliant 1% dimming			PM.X	X denotes mounting type on opposite side of wall (eg PM-NT).
		DALI	DALI-2 driver			WOOD	Wood ceiling. Provide specifications.
		PoE	Power over ethernet				
		TW10	2 channel 0-10V for tunable white				
		WD10	0-10V warm dimming				
		DMX	DMX512 All DMX drivers set to default address 001 and provided in remote enclosers. Contact us for other addressing needs.				
9	Optics	10	Sensors/Controls	11	Circuit	12	Options
	AVI.ASY Asymmetric optic	NA	None	NA	None	NA	None
	AVI.BWG Batwing optic	WISM_%	Wattstopper occupancy	EMPCK	Emergency battery pack	WH6	6ft whips preinstalled
	RV 0.2 inch reveal lens	WISD	Wattstopper daylight	EMCKT	Emergency circuit May require additional power feeds.	CP	Chicago Plenum
	FL Flat diffuser	ACM	Acuity nLight- module only	DAYCKT	Daylight circuit May require additional power feeds.	RLF	Red List Free
		ACS	Acuity nLight- (nES 7)			OEC	Overhang endcap
		ACAS	Acuity nLight- AIR (rES 7)				
		CCS	Casambi module				
		AWNDR	Lutron Athena wireless node				
		AWNS	Lutron Athena wireless node with sensor				
		OTHER	Consult factory				
		ACAM	Acuity nLight Air (rIO)				

Performance

Output ¹	Watts/ft	Lumens/ft	LPW
Low	3.5	422	121
Medium	5.5	669	121
High	7.5	875	117

¹Based on a typically configured 90 CRI, 3500K luminaire using one driver.
Custom outputs available. Please consult factory.
For 4000K multiply by 1.05; for 3000K, 0.9%; for 2700K, 0.9%.
For Warm Dim multiply by .80.

Technical Information



click [here](#) or scan QR code

Wiring diagrams, PoE and sensor details

LSR2 recessed

Drivers & Electrical

Integral drivers* with 0-10V Dimming standard. Several other driver options available; see ordering information.

*DMX drivers are provided in remote enclosures.

Sensors & Controls

Sensors are installed on an aluminum plate adjacent to the luminaire lens¹. Coronet remains agnostic in our approach to sensors and control systems; our fixtures are compatible with most systems offered.

¹Not applicable to indirect only models. Consult factory.

Emergency Back-Up

For fixtures three-feet or longer, a 6W emergency driver may be wired to 4ft sections. A 10W driver is also available (consult factory). Emergency circuits for use with building generators are also available.

PoE (Power over Ethernet)

Compatible with virtually all PoE systems including Molex Coresync, Smartengine, Platformatics, and NuLED SPICEbox.

Consult factory for systems not listed. See [here](#) for more info.

Finishes

All luminaires are finished in high quality polyester powder coating. Our standard color is white. Any RAL color may be specified.

Weight

3 lbs per foot

Patterns

Featuring illuminated welded corners and angles. Consult factory for custom designs and elevations.

Square



X



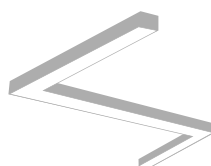
T



V



Custom



Wall/Ceiling



Optics

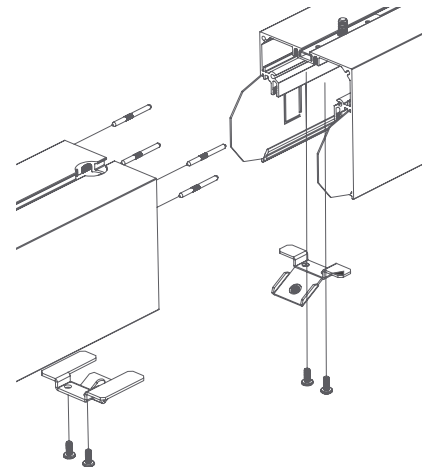
Extruded satin acrylic lenses provide excellent diffusion, high transmission, and no LED imaging.

Construction

Housings are extruded premium, recycled aluminum. Individual fixtures are available up to 12' long and may be specified as nominal or precision lengths. Precision lengths are supplied within 1/8" tolerance.

Joined Runs

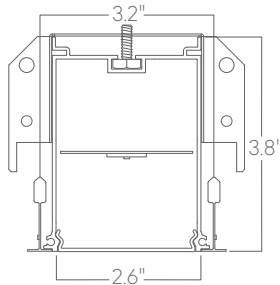
Runs of any length may be specified and are comprised of multiple, factory-engineered, joined sections. Individually specified luminaires are not field joinable.



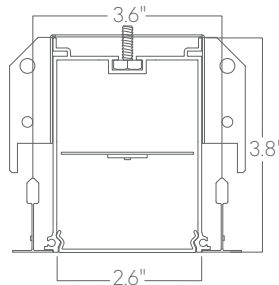
Representative joinery. For product specific details see installation guides or submittal drawings.

Mounting Options

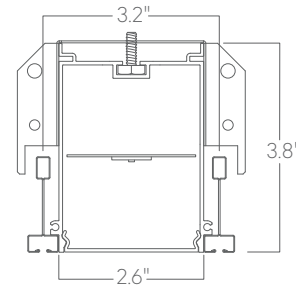
Custom mounting types and ceiling transitions available; consult factory.
Mounting and power feed locations will be added to approval drawings on request.



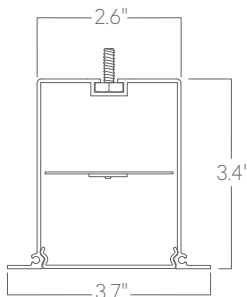
T
9/16" tee grid



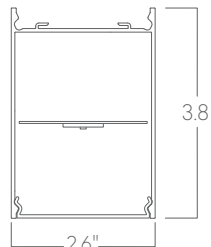
T15
15/16" tee grid



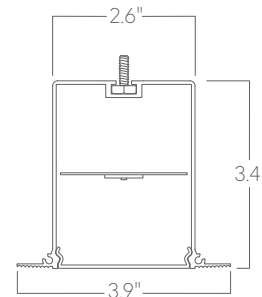
SG
slot grid



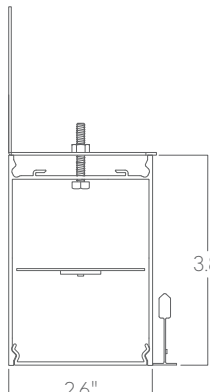
F
flange



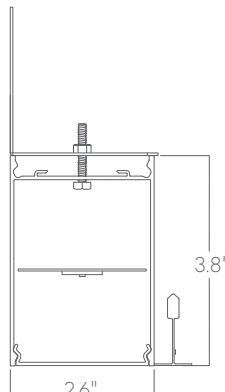
WOOD
provide specifications



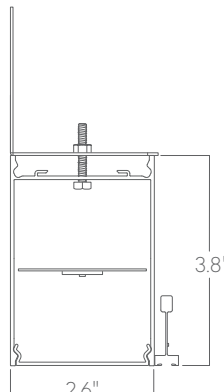
NT
mud-in¹



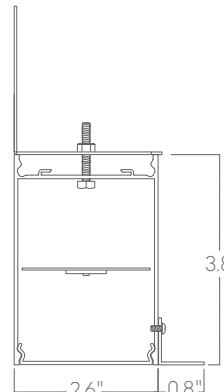
PM-T
perimeter to 9/16" tee grid



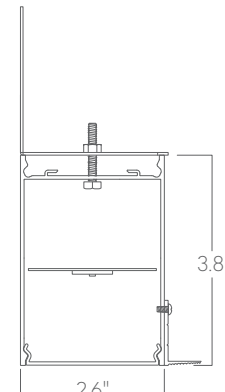
PM-T15
perimeter to 15/16" tee grid



PM-SG
perimeter to slot grid



PM-F
perimeter to flange



PM-NT
perimeter to mud-in

¹Installation that alters aperture width compromises lens security. Installer must ensure aperture width is maintained.

Please consult factory shop drawings for suspension points.

To prevent damage to fixtures, factory designated suspension points must not be field altered.

Do not attempt installation if you do not understand the installation instructions.

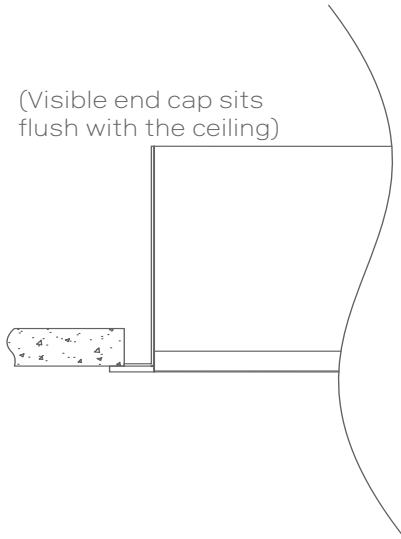
LSR2 recessed

End Cap Options

The LSR1 - LSR6 fixtures feature a flat end cap or overhang end cap option available. Please see details below.

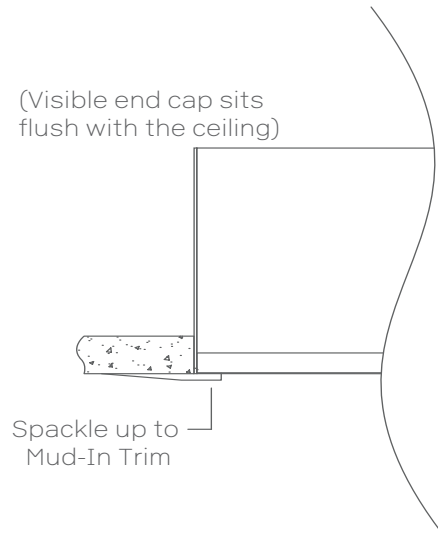
Flange - Default Flat End Cap

(Visible end cap sits flush with the ceiling)



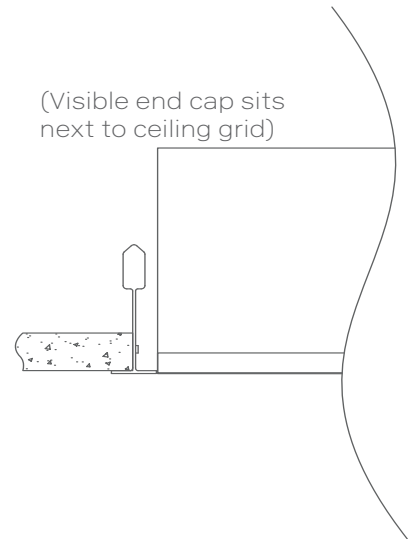
Mud-in - Default Flat End Cap

(Visible end cap sits flush with the ceiling)



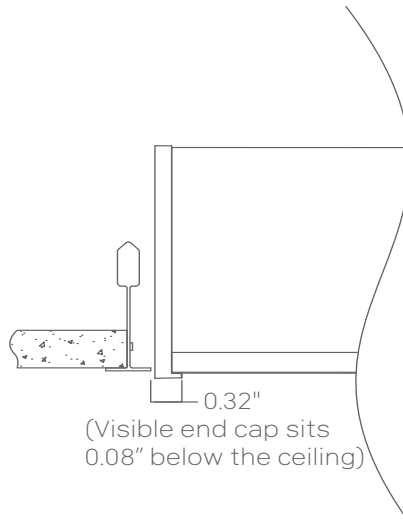
Grid - Default Flat End Cap

(Visible end cap sits next to ceiling grid)



Grid - Optional Overhang End Cap

0.32"
(Visible end cap sits 0.08" below the ceiling)



If you require an end cap that is different than what is default, please contact factory.