

U Square indirect/direct

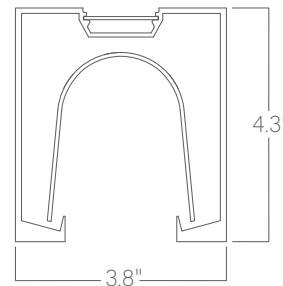


Our linear architectural luminaires offer a wide range of profiles and mounting options. Custom lengths and patterns are tailored to suit any modern space.

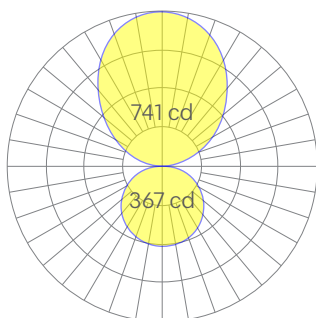
Features

- Extruded, recycled aluminum housing
- Aluminum core LED boards, specifiable optics
- Specifiable color temperature. CRI > 90, R9 > 50
- Custom lengths, welded patterns, and finishes available
- Specifiable dimmable drivers or PoE
- 5 Year, 50,000 hour warranty, damp location rated
- WELL Building Standard compatible [learn more](#)

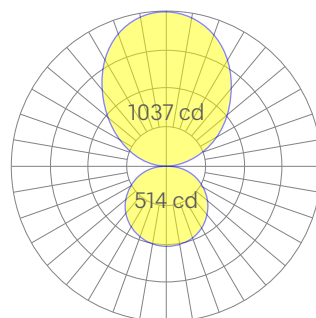
Dimensions



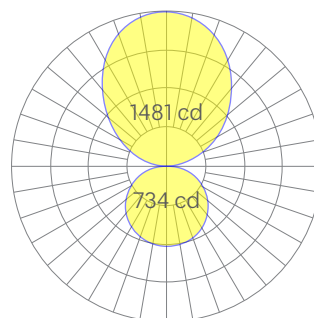
Optics



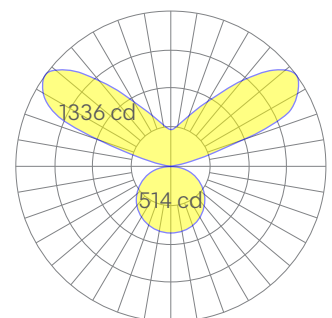
low



medium



high



avi asymmetric

Representative distribution and peak candela. For other options see order information or IES files [here](#).

U Square indirect/direct

Ordering Information

For each option group below specify one option. If you don't see your preferred option listed, contact us for [help](#).

1 Fixture ID	2 Length	3 Color Temperature	4 Output Indirect																																		
U.SQUARE.UPDN	2 2 ft 4 4 ft 8 8 ft XX Specify length PAT Pattern <small>Submit drawing.</small>	27 2700K/90 CRI 30 3000K/90 CRI 35 3500K/90 CRI 40 4000K/90 CRI 50 5000K/90 CRI	LOW Low output MED Medium output HIGH High output CUST Custom output <small>Specify watts or lumens.</small>																																		
5 Output Direct	6 Voltage	7 Driver	8 Finish																																		
LOW Low output MED Medium output HIGH High output CUST Custom output <small>Specify watts or lumens.</small>	UNV Universal (120/277V) 347V 347V	DB Standard 0-10V 1% DB.1% 0-10V 0.1% ELV Reverse phase 1% (120V only) TRI Forward phase LDE1 Lutron Digital EcoSystem DALI DALI-2 driver PoE Power over ethernet DMX DMX512 <small>All DMX drivers set to default address 001 and provided in remote enclosures. Contact us for other addressing needs.</small> JA8 JA8 compliant 1% dimming	W White BLK Black CC Custom color <small>See finish options here</small> SLV Silver																																		
9 Mounting	10 Optics Indirect	11 Optics Direct	12 Sensors/Controls																																		
AC AC cable (50 in.) ACTB9 AC cable + 9/16th Tbar clip ACTB15 AC cable + 15/16th Tbar clip ACTBSG AC cable + Slot Grid Tbar clip AC3.5 3.5 in. canopy + Jbox adaptor <small>Adaptor must be mudded-in.</small> ACCC AC cable <small>To conduit pipe canopy.</small>	SD Standard diffuser AVI.BAT 120-degree batwing; Not compatible with RGBW	SD Standard diffuser	NA None ACM Acuity nLight- module only CCS Casambi module AWNDR Lutron Athena wireless node OTHER Consult factory																																		
13 Circuit	14 Options	<h2>Performance</h2>																																			
NA None 10WEMP 10W Emergency battery pack EMCKT Emergency circuit <small>May require additional power feeds.</small> DAYCKT Daylight circuit <small>May require additional power feeds.</small> DC Dual 0-10v control; dual power feed	NA None STD White canopy/cord/stem CAN.X Canopy + color <small>See finish options here</small> SJ.BLK Black cord SJ.WHT White cord MPD Mounting + power drawings <small>Mounting and power feed locations will be added to approval drawings. See additional information here.</small>	<table border="1"> <thead> <tr> <th rowspan="2">Output¹</th> <th colspan="3">Indirect</th> <th colspan="3">Direct</th> </tr> <tr> <th>Watts/ft</th> <th>Lumens/ft</th> <th>LPW</th> <th>Watts/ft</th> <th>Lumens/ft</th> <th>LPW</th> </tr> </thead> <tbody> <tr> <td>Low</td> <td>5</td> <td>475</td> <td>95</td> <td>5</td> <td>257</td> <td>51</td> </tr> <tr> <td>Medium</td> <td>7</td> <td>634</td> <td>91</td> <td>7</td> <td>348</td> <td>50</td> </tr> <tr> <td>High</td> <td>10</td> <td>905</td> <td>91</td> <td>10</td> <td>490</td> <td>49</td> </tr> </tbody> </table> <p><small>¹Based on a typically configured 90 CRI, 3500K luminaire using one driver. Custom outputs available. Please consult factory. For 4000K multiply by 1.05; for 3000K, 0.9; for 2700K, 0.92. For Warm Dim multiply by 80.</small></p>		Output ¹	Indirect			Direct			Watts/ft	Lumens/ft	LPW	Watts/ft	Lumens/ft	LPW	Low	5	475	95	5	257	51	Medium	7	634	91	7	348	50	High	10	905	91	10	490	49
Output ¹	Indirect				Direct																																
	Watts/ft	Lumens/ft	LPW	Watts/ft	Lumens/ft	LPW																															
Low	5	475	95	5	257	51																															
Medium	7	634	91	7	348	50																															
High	10	905	91	10	490	49																															



Wiring diagrams, PoE and sensor details
Click or Scan



U Square indirect/direct

Drivers & Electrical

Remote, dimmable drivers are supplied in enclosures.
For remote driver box sizes, click [here](#).

Controls

Control modules may be mounted within luminaires or remotely.

Emergency Back-Up

For fixtures three-feet or longer, a 10W remote emergency driver may be wired to 4ft sections. Emergency circuits for use with building generators are also available.

PoE (Power over Ethernet)

Compatible with virtually all PoE systems including Moxel Coresync, Igor, Smartengine, Platformatics, and NuLED SPICEbox.

Consult factory for systems not listed. See [here](#) for more info.

Finishes

All luminaires are finished in high quality polyester powder coating. Our standard color is white. Any RAL color may be specified.

Weight

5 lbs per foot

Patterns

Featuring illuminated welded corners and angles. Consult factory for custom designs and elevations.

Optics

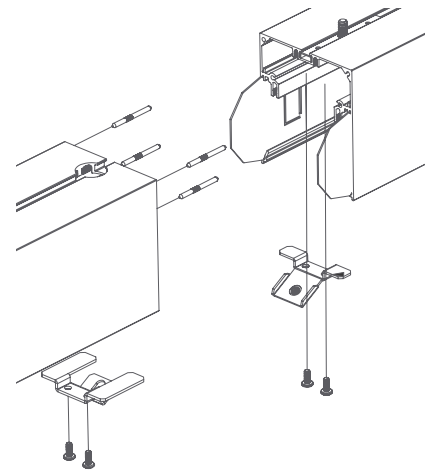
Extruded satin, acrylic lenses provide excellent diffusion, high transmission, and no LED imaging.

Construction

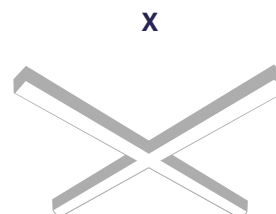
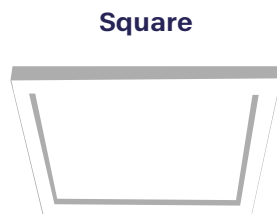
Housings are extruded premium, recycled aluminum. Individual fixtures are available up to 12' long and may be specified as nominal or precision lengths. Precision lengths are supplied within 1/8" tolerance.

Joined Runs

Runs of any length may be specified and are comprised of multiple, factory-engineered, joined sections. Individually specified luminaires are not field joinable.



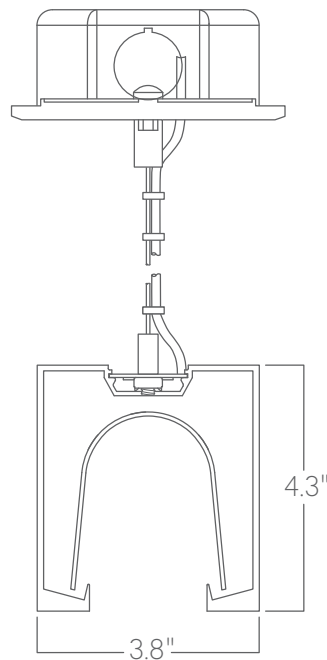
Representative joinery. For product specific details see installation guides or submittal drawings.



U Square indirect/direct

Mounting Options

Custom mounting types and ceiling transitions available; consult factory.
Mounting and power feed locations will be added to approval drawings on request.



Aircraft cable

Please consult factory shop drawings for suspension points.

To prevent damage to fixtures, factory designated suspension points must not be field altered.

Do not attempt installation if you do not understand the installation instructions.