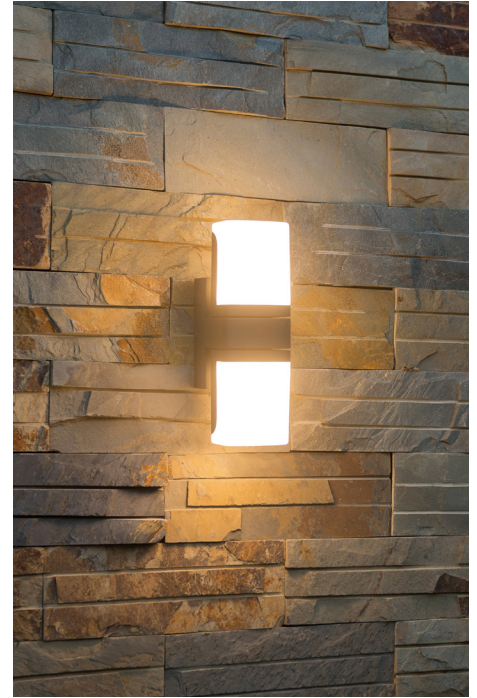




WL5942 | LED CCT OUTDOOR WALL SCONCE

Project: _____ Type: _____

Name: _____ Date: _____



Size	3.3" x 10" x 4.4"
Watts	13W
Voltage	110-240V
Dimming	Non-Dimming
Beam Angle	110°
CRI	80
PF	0.8

Lumens	700lm
CCT	Tunable
IP Rating	IP54
Materials	Aluminum, PC
Finish	Matte Black
Lens	Frosted
Lifespan	30,000 Hours

OVERVIEW

CCT: Tunable

Applications: IP54

Efficacy: 50-60lm/W

Dimming: Non-Dimming

LED Type: Everlight 2835

Driver: KEGU

Operating Temp: -20° to 40° F

Operating Humidity: 10%-65% RH

Lifespan: 30,000 Hours

Warranty: 3 Years

FEATURES

- Includes a CCT Tunable switch – easily select among three color temperatures
- Protected from the elements with an IP54 rating, making it suitable for rainy environments
- Frosted lens protects the eyes from glare while adding a warm, rich light



SARIN LED Decorative Outdoor Wall Sconces add functional lighting with a design element to any outdoor area. Constructed from solid aluminum, this fixture boasts a clean look with a matte black finish and features a CCT tunable switch. The lamps on the top and bottom of the fixture can be independently rotated, up to 340°.

This decorative LED wall sconce is ideal for exterior walls on hotels, homes, and offices.

LED Wall Sconces are safe to use in wet locations that come in direct contact with rain and water. This light has a switch to change between three color temperatures.



WL5942 | LED CCT OUTDOOR WALL SCONCE

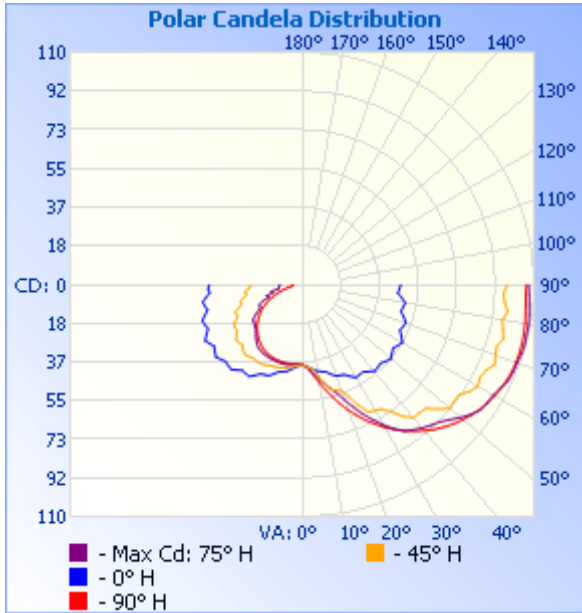
Project: _____ Type: _____

Name: _____ Date: _____

PHOTOMETRICS:

X° Beam Angle: (Polar Candela Dist.)

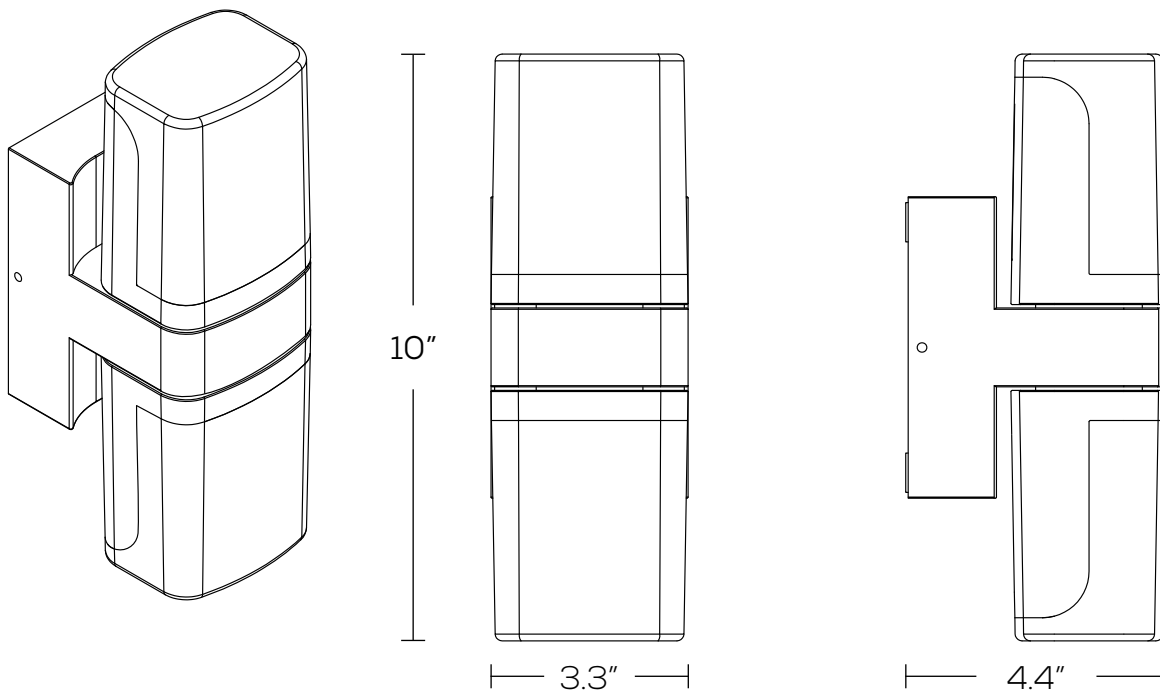
Light Distance: (Illuminance at a Distance)



	Center Beam fc	Beam Width	
1.7ft	13.1 fc	1.4 ft	2.2 ft
3.3ft	3.48 fc	2.7 ft	4.3 ft
5.0ft	1.51 fc	4.1 ft	6.5 ft
6.7ft	0.84 fc	5.6 ft	8.7 ft
8.3ft	0.55 fc	6.9 ft	10.8 ft
10.0ft	0.38 fc	8.3 ft	13.0 ft

■ Vert. Spread: 45.0°
■ Horiz. Spread: 66.1°

DIMENSIONS:





WL5942 | LED CCT OUTDOOR WALL SCONCE

Project: _____ Type: _____

Name: _____ Date: _____

ORDER FORM:

(*) Special Order/Not Commonly Stocked

Custom Model Assembly

Fixture	CCT	Watts	Beam Angle	Voltage
<input checked="" type="checkbox"/> WL5942	<input checked="" type="checkbox"/> Tunable	<input checked="" type="checkbox"/> 13W	<input checked="" type="checkbox"/> 110°	<input checked="" type="checkbox"/> 110-240V

SES-WL5942-CCT-13
Example Model Number

SES – WL6011 – Tunable – 13W – 110° – 110-240V

Quantity

Fixture

CCT

Watts

Beam Angle

Voltage

Common Stock Models:

Item #	Model #
11241	SES-WL5942-CCT-13